

6" Square Open LED Downlight

LF6SQML

120V - 277V
0-10V Dimming

APPLICATIONS:

LiteFrame LF6SQML is a 6" specification grade LED open downlight that utilizes remote phosphor technology to obtain color consistency, energy savings, and low maintenance costs. 50,000 hours minimum life up to 35°C (95°F) in open plenum applications.

HOUSING:

One-piece 22 gauge non-corrosive steel platform. Pre-wired j-box with snap-on cover for easy access. Snap-in connection from driver compartment allows easy installation of light engine/trim assembly without tools above or below the ceiling and can be upgraded to accommodate technology improvements. Approved for 8 (4 in/4 out) No. 12 AWG conductors rated for 90°C through wiring.

REFLECTOR:

High purity aluminum, Alzak, iridescence suppressed, semi-diffuse upper reflector. Self-trim standard. Painted white self-trim (WT) available as option. Reflector is made from anodized AlanoD Miro 4 aluminum

LED LIGHT ENGINE:

The LF6SQML uses the Philips Fortimo DLM Gen 5 LED Module with remote phosphor technology. This technology provides controlled color consistency (3 SDCM) from fixture to fixture. The system is designed for optional life and lumen maintenance (>50,000 hours at 70% lumen maintenance). Both reflector and light engine assembly are mechanically retained to housing. The light engine comes standard with 90 CRI in all Kelvin temperatures.

LED DRIVER:

The LF6SQML utilizes the Philips Fortimo LED Driver specifically designed to optimize efficiency of the Fortimo DLM Module. Driver is designed to match the 50,000 hour minimum life expectancy of the system. Meets UL Class 2, inherent short circuit protection, self limited, overload protected. If critical temperatures are reached on driver or LED module, integrated thermal feedback loop will gradually reduce current to protect system life. Driver is universal 120V-277V. Optional Lutron Series A driver is also available.

DIMMING:

Comes standard with 0-10V dimming capability. Flicker-free dimming to 10%. 0-10V control may consume up to 1mA. 0-10V, Lutron 2 wire, 3 wire, and EcoSystem dimming available to 1% and DMX with RDM (remote device management) dimming to less than 0.1%.

INSTALLATION:

Adjustable Bar hangers included. Universal adjustable mounting brackets also accept 1/2" EMT conduit or 1 1/2" or 3/4" lathing channel (by others) or Prescolite 24" bar hangers (B24 or B6). Housing provides up to 6° rotational adjustment of the square trim.

CERTIFICATIONS:

CSA certified to US and Canadian safety standards. Suitable for wet locations. Approved for through wiring. Non-IC rated. UL approved for NSF2 non-food zone applications. ENERGY STAR qualified with open clear Alzak reflector.

WARRANTY:

5 year warranty. See www.prescolite.com for details.

DATE: _____ TYPE: _____

FIRM NAME: _____

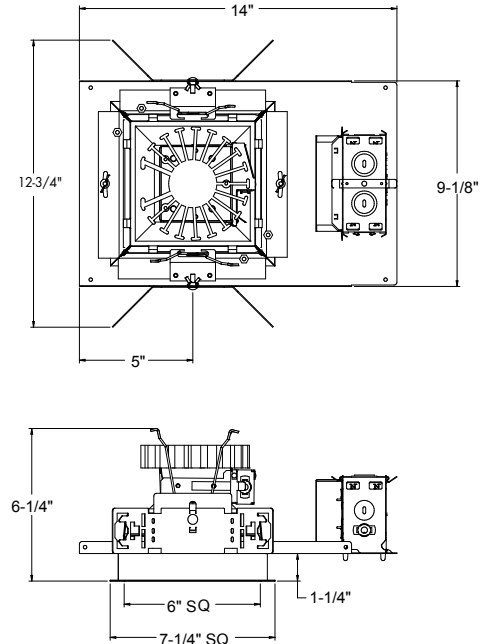
PROJECT: _____

LiteFrame®



Ceiling Cutout: 6-3/4" x 6-3/4"
Maximum Ceiling Thickness 1 1/4"

For conversion to millimeters,
multiply inches by 25.4
Not to Scale



See page 3 for NX(W)E lineart

CATALOG NUMBER:

EXAMPLE: LF6SQML 6SQML30L40KCG

Order housing, reflector, and accessories separately

HOUSING	DRIVER OPTIONS	VOLTAGE OPTIONS	HOUSING OPTIONS	TRIM APERTURE	KELVIN	REF. COLOR OPTIONS	REFLECTOR OPTIONS	ACCESSORIES
<input type="checkbox"/> LF6SQML Standard 120V-277V 0-10V dimming at 10%	Standard 0-10V 10% Dimming <input type="checkbox"/> DM1 ¹ 0-10V dimming at 1% <input type="checkbox"/> HDM ^{2,5} Hi-Lume 1% 3-wire/ EcoSystem LED Driver <input type="checkbox"/> 2DM ^{2,5} Hi-Lume 1% 2-wire LED Driver (120V only) <input type="checkbox"/> DMX ^{2,5,7} DMX with RDM dimming to <0.1%	Standard 120V-277V <input type="checkbox"/> 120 120V <input type="checkbox"/> 277 277V <input type="checkbox"/> 347 347V	<input type="checkbox"/> CP ^{2,3,9,11} Chicago Plenum <input type="checkbox"/> LV ⁵ Lutron Vive Enabled, 0-10V, 120-277V <input type="checkbox"/> LVE (HDM Only) Lutron Vive Enabled, EcoSystem <input type="checkbox"/> NXWE ^{7,8,9,11} NX Wireless Enabled <input type="checkbox"/> NXE ^{7,8,9,11} NX Enabled, Dual SmartPorts <input type="checkbox"/> EM ^{2,10} Emergency Battery Pack with integral test switch and indicator light <input type="checkbox"/> EMR ² Emergency Battery Pack with remote test switch and indicator light	<input type="checkbox"/> 6SQML30L Semi-Diffuse Clear Alzak Reflector with 3000 Lumen Module	<input type="checkbox"/> 30K 3000 Kelvin, 90 CRI <input type="checkbox"/> 35K 3500 Kelvin, 90 CRI <input type="checkbox"/> 40K 4000 Kelvin, 90 CRI	Standard Clear Alzak <input type="checkbox"/> CG Champagne Gold Alzak <input type="checkbox"/> BL Black Alzak <input type="checkbox"/> WE Wheat Alzak <input type="checkbox"/> LW Light Wheat Alzak <input type="checkbox"/> PW Pewter Alzak <input type="checkbox"/> WH Painted Matte White Reflector and Flange <input type="checkbox"/> BC Painted Black Reflector and Flange	<input type="checkbox"/> CP ^{2,3,9,11} Chicago Plenum <input type="checkbox"/> EM ^{2,10} Pre-punched reflector for integral test	<input type="checkbox"/> B24 Set of two 24" bar hangers for T-bar ceilings <input type="checkbox"/> B6 Set of two (2) bar hangers for ceiling joist up to 24" centers <input type="checkbox"/> LiteGear ⁴ Inverter, single phase central lighting, 125VA-250VA <input type="checkbox"/> LPS Series ⁴ LitePower micro- inverter, 20VA-55VA

Notes:

- For DM1, do not specify a voltage if 120 or 277
- Not available with 347V
- CP option required on both housing and trim
- See Central Inverter compatibility note and web links on page 2
- Voltage must be specified if HDM, 2DM or DMX
- LV requires standard dimming or DM1
- Not available with CP option
- Not available with HDM, 2DM or DMX
- Not available with LV or LVE.
- EM option required on both housing and trim.
- Not available with EM or EMR.

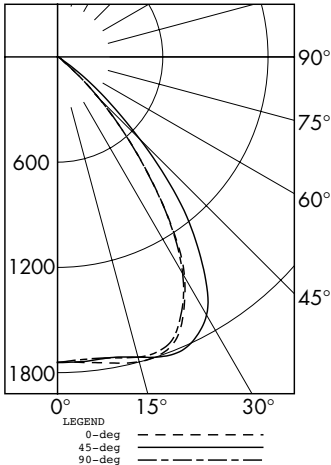
PHOTOMETRIC DATA

LiteFrame - 6" LF6SQML Downlight

DRIVER DATA	LF6SQML30L 30K
Input Voltage	120V-277V
Input Frequency	60 Hz
Input Current	0.300A (120V) 0.130A (277V)
Input Power	36W
Constant Current Output	.3-1.0A
Power Factor	≥0.90
THD	<20%
EMI Filtering	FCC 47CFR Part 15, Class A
Operating Temperature	-20°C to 35°C
Dimming	0-10V
Over-voltage, over-current, short-circuit protected	
*Power consumption and photometric output may vary slightly with HDM or 2DM option.	

LF6SQML 6SQML30L30K

LED Light Engine: 3000K, 90 CRI
System Wattage: 36.0W
Fixture Delivered Lumens: 2686
Fixture Efficacy: 74.6
Spacing Criteria: 1.2



CANDELA DISTRIBUTION

DEG	0°	45°	90°
0	1742	1742	1742
5	1749	1743	1731
15	1799	1772	1772
25	1676	1800	1651
35	1078	1439	1073
45	336	663	337
55	36	102	35
65	17	14	16
75	3	4	3
85	1	1	1
90	0	0	0

ZONAL LUMEN SUMMARY

ZONE	LUMENS	%LUMINAIRE
0-30	1456	54.2
0-40	2222	82.7
0-60	2665	99.2
0-90	2686	100.0

COEFFICIENTS OF UTILIZATION Zonal Cavity Method

Room Cavity Ratio	% Effective Ceiling Cavity Reflectance																				
	80%				70%				50%				30%				10%				
	70	50	30	10	70	50	30	10	50	30	10	50	30	10	50	30	10	50	30	10	
% Effective Floor Cavity Reflectance																					
% Wall Reflectance																					
1	113	110	107	105	110	108	105	103	104	102	100	100	98	97	96	95	94	96	95	94	
2	106	101	96	93	104	99	95	92	96	92	90	93	90	88	90	88	86	90	88	86	
3	100	93	87	83	98	91	86	82	89	84	81	86	83	79	84	81	78	84	81	78	
4	94	85	79	74	92	84	78	74	82	77	73	80	76	72	78	74	71	78	74	71	
5	88	79	72	67	87	78	72	67	76	71	66	74	70	66	73	69	65	73	69	65	
6	83	73	66	61	81	72	66	61	71	65	61	69	64	60	68	63	60	68	63	60	
7	78	68	64	56	77	67	60	56	66	60	56	64	59	55	63	58	55	63	58	55	
8	74	63	56	51	72	62	56	51	61	55	51	60	55	51	59	54	51	59	54	51	
9	69	59	52	47	68	58	52	47	57	51	47	56	51	47	55	50	47	55	50	47	
10	66	55	48	44	64	54	48	44	53	48	44	53	47	43	52	47	43	52	47	43	

LF6SQML 6SQML30L30K

Test No. 17.01382

Test No. 17.01382

Tested at 25°C Ambient in accordance to IESNA LM-79-2008



LiteFrame - 6" LF6SQML Downlight

Dimming Compatibility Table

Dimming Ballast	Manufacturer	Web Link
DM/DM1	Lutron DDTV	http://bit.ly/11jSvZg
DM/DM1	Leviton AWRMG-7xx, AWSMG-7xx, AWSMT-7xx	http://bit.ly/1BJn2R9
HDM	Lutron	http://bit.ly/1vtjHAL
2DM	Lutron	http://bit.ly/1S4WjXK

DMX

See instruction sheet on www.prescolite.com for connection & installation information.
Other useful links: <http://www.eldoled.com/led-drivers/powerdrive/50-watt/ac-561s/>

Central Inverters

For full fixture output in back-up mode, we recommend you visit www.dual-lite.com for your Central Lighting Inverter options. Please contact your local Hubbell representative for any assistance with proper sizing and loading of your inverter selection. Central lighting inverters must be ordered separately.

LiteGear: www.dual-lite.com/products/litegear_lg_series

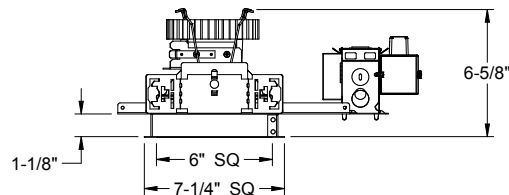
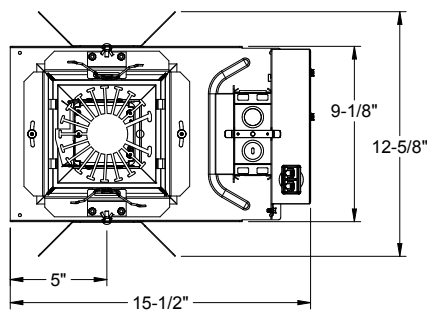
LPS Series: www.dual-lite.com/products/lps

NX Distributed Intelligence: **NX** DISTRIBUTED INTELLIGENCE

Supports indoor and outdoor applications, wired, wireless and hybrid networked NX lighting control deployments and enables emerging applications such as Hubbell Lighting's SpectraSync™ color tuning technology.

See separate [NX™ Solutions Guide](#) for additional details.

See Hubbell Controls Solution [NX Brochure](#).



LF6SQML NX(W)E



Web: www.prescolite.com • Tech Support: (888) 777-4832
701 Millennium Boulevard • Greenville, SC 29607 U.S.A. • Phone (864) 678-1000
Copyright ©2017 Prescolite, Inc., a division of Hubbell Lighting, Inc. All Rights Reserved
Specifications subject to change without notice. • Printed in U.S.A. • LFR-LED-021 • 10/3/17

