

LED



create **change**



FEATURES

- LED technology in a premium lensed strip
- Matches LWC in appearance
- Long life 50,000 hour LEDs at L80 for reduced maintenance
- Four LED color choices and 80 CRI
- Available in 4' and 8' lengths
- Heavy gauge steel housing, die embossed for maximum rigidity
- Diffuser features flat bottom and vertical sides
- Injection molded ends sonically welded to prismatic lens extrusion
- LED light engine accessible for future maintenance or upgrades; modular replaceability
- Surface mount or stem mount
- QR code traceability
- DesignLights Consortium® qualified
- 5 year warranty

PROJECT INFORMATION

Project Name _____

Type _____

Catalog No. _____

Date _____

CONSTRUCTION

Housing and wireway are formed from code-gauge steel. Housing components act as heat sink for LED heat dissipation. Ends are injection molded, sonically welded to shielding. Knockouts are provided for electrical access and mounting.

SHIELDING

100% acrylic prismatic.

FINISH

White painted parts are treated with a five-stage phosphate bonding process and finished with high reflectance baked enamel. For a post-painted housing finish select PAF option.

ELECTRICAL

Long-life LEDs are rated for 50,000 hours at L80 lumen maintenance. Driver options include fixed output for on/off function, step dimming (high/low/off) or continuous 0-10V dimming.

CERTIFICATION

All luminaires are built to UL 1598 and 2108 standards, and bear appropriate CSA labels. Damp location labeling is standard. Emergency equipped fixtures built to UL924. Adheres to LM79, LM80 and TM21 industry standards. DesignLights Consortium® (DLC) qualified. Please refer to the DLC website for specific product qualifications at www.designlights.org.

WARRANTY

Five year warranty (Terms and Conditions Apply).

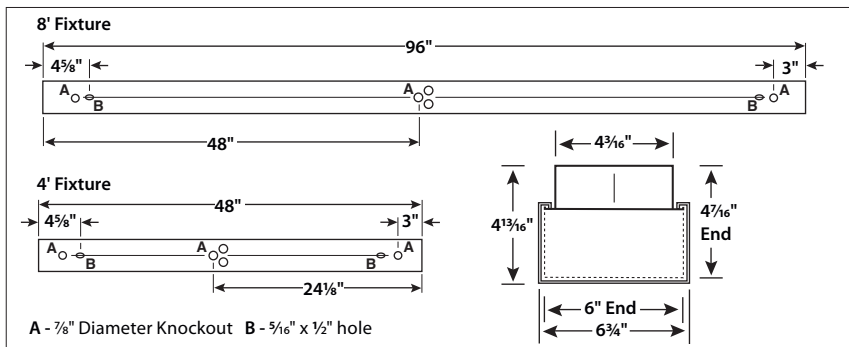
ORDERING INFORMATION

EXAMPLE LPT4-35HL-EU

| LPT | | 4 | - | - | - | - | - |
|--|--------------|----------------------|---|--|--|---|---|
| MODEL | SIZE | COLOR TEMP | LUMEN OUTPUT | DRIVER | VOLTAGE | OPTIONS | |
| LPT LED Premium Corridor Lensed Striplight | 4 4' 8 8' | 35 3500K 40 4000K | LW Low Watt ML Medium Lumen HL High Lumen VL Very High Lumen | E Fixed Output ESD Step Dimming ED 0-10V Dimming ED1 0-10V Dimming LUTH Hi-Lume 1% EcoSystem LED driver with Soft-on, Fade-to-Black dimming technology ² LUTS 5-Series EcoSystem LED driver ³ | U 120V-277V 347 347 (E,ED,ED1 only) | ACCESSORIES (ORDER SEPARATELY) ITB4 T-Bar Hanger S18 18" Stem, Canopy SS18 18" Swivel Stem - 45° Swivel ELL14 Emergency Battery Pack, 1400 Lumens ^{1,2} GLR Fast Blow Fuse PAF Paint After Fabrication NYC NYC Compliant | |

¹ For compatibility with Dual-Lite LiteGear® inverters in lieu of installed battery pack, contact Hubbell Lighting representative.
² ELL14 not available with VL lumen packages.
³ Not available in VL packages

DIMENSIONAL DATA



PRODUCT AVAILABILITY

| SIZE | LUMEN PACKAGE | NOMINAL LUMENS (35K) | NOMINAL WATTS |
|------|---------------|----------------------|---------------|
| 4' | LW | 2,700 | 25 |
| | ML | 5,000 | 53 |
| | HL | 6,400 | 63 |
| | VL | 9,600 | 105 |
| 8' | LW | 5,400 | 50 |
| | ML | 10,000 | 106 |
| | HL | 12,800 | 126 |
| | VL | 19,200 | 210 |

Actual lumens will vary according to color temperature and other factors. For exact lumens and watts see specific photometric test(s).

NOTE: All dimensions are in inches; dimensions and specifications are subject to change without notice. Please consult factory or check sample for verification.

PHOTOMETRIC DATA

Test #8343 Test Date 12/20/2013

LUMINAIRE DATA

| | |
|-----------------------------|---|
| Luminaire | LPT4-35HL-EDU LPT LED Premium Corridor, Wraps 7" x 48" LED LUMINAIRE WITH WRAPAROUND ACRYLIC PRISMED LENS |
| Ballast | (2) D185CQ30UNVA-A |
| Ballast Factor | 1.00 |
| Lamp | LED |
| Fixture Lumens | 6383 |
| Watts | 62.80 |
| Mounting | Surface |
| Shielding Angle | 0° = 90 90° = 90 |
| Spacing Criterion | 0° = 1.26 90° = 1.21 |
| Luminous Opening in feet | Length: 4.00 Width: 0.50 Height: 0.25 |

ZONAL LUMEN SUMMARY

| Zone | Lumens | %Lamp | %Fixt. |
|-------|--------|-------|--------|
| 0-30 | 1863 | 29.2 | 29.2 |
| 0-40 | 2967 | 46.5 | 46.5 |
| 0-60 | 4554 | 71.3 | 71.3 |
| 0-90 | 5685 | 89.1 | 89.1 |
| 0-180 | 6383 | 100.0 | 100.0 |

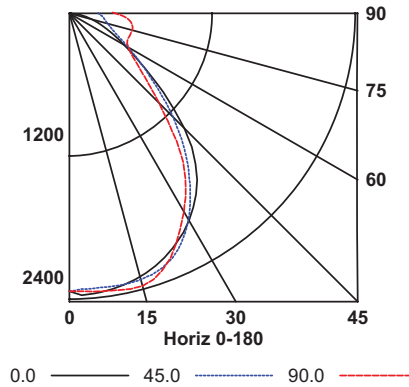
ENERGY DATA

| | |
|--|--|
| Total Luminaire Efficiency | 100.0% |
| Total Lumens per Watt | 102 |
| ANSI/IESNA RP-1-2004 Compliance | Noncompliant |
| Comparative Yearly Lighting Energy Cost per 1000 Lumens | \$2.38 based on 3000 hrs. and \$0.08 per KWH |

COEFFICIENTS OF UTILIZATION (%)

| RCR | RC | 80 | | | | 70 | | | | 50 | | | | 0 |
|-----|-----|-----|----|----|-----|----|----|----|----|----|----|----|----|---|
| | | RW | 70 | 50 | 30 | 10 | 70 | 50 | 30 | 10 | 50 | 30 | 10 | 0 |
| 1 | 106 | 101 | 96 | 92 | 102 | 98 | 94 | 90 | 91 | 88 | 85 | 73 | | |
| 2 | 97 | 89 | 82 | 76 | 93 | 86 | 80 | 75 | 81 | 76 | 71 | 62 | | |
| 3 | 89 | 79 | 71 | 65 | 85 | 76 | 69 | 63 | 72 | 66 | 61 | 54 | | |
| 4 | 82 | 70 | 62 | 56 | 79 | 68 | 61 | 55 | 65 | 58 | 53 | 47 | | |
| 5 | 76 | 63 | 55 | 49 | 73 | 62 | 54 | 48 | 58 | 52 | 46 | 41 | | |
| 6 | 70 | 58 | 49 | 43 | 68 | 56 | 48 | 42 | 53 | 46 | 41 | 37 | | |
| 7 | 65 | 52 | 44 | 38 | 63 | 51 | 43 | 38 | 49 | 42 | 37 | 33 | | |
| 8 | 61 | 48 | 40 | 34 | 59 | 47 | 39 | 34 | 45 | 38 | 33 | 30 | | |
| 9 | 57 | 44 | 36 | 31 | 55 | 43 | 36 | 31 | 41 | 35 | 30 | 27 | | |
| 10 | 54 | 41 | 33 | 28 | 52 | 40 | 33 | 28 | 38 | 32 | 27 | 25 | | |

INDOOR CANDELA PLOT



AVG. LUMINANCE (Candela/Sq. M.)

| Average Luminance Angle | 0.0 | 22.5 | 45.0 | 67.5 | 90.0 |
|-------------------------|-------|-------|-------|-------|-------|
| 0 | 12545 | 12545 | 12545 | 12545 | 12545 |
| 30 | 12038 | 10991 | 10098 | 9420 | 9274 |
| 40 | 10995 | 9263 | 7938 | 7217 | 6924 |
| 45 | 9757 | 7897 | 6692 | 5737 | 5399 |
| 50 | 8018 | 6430 | 5425 | 4518 | 4307 |
| 55 | 6288 | 5135 | 4368 | 3783 | 3618 |
| 60 | 5206 | 4068 | 3633 | 3320 | 3282 |
| 65 | 4436 | 3246 | 3106 | 3137 | 3300 |
| 70 | 3801 | 2747 | 2842 | 3228 | 3586 |
| 75 | 3288 | 2511 | 2787 | 3467 | 3954 |
| 80 | 2769 | 2377 | 2865 | 3846 | 4323 |
| 85 | 2125 | 2119 | 3073 | 4137 | 4488 |

RCR = Room Cavity Ratio

RC = Effective Ceiling Cavity Reflectance RW = Wall Reflectance

Test #8313 Test Date 12/18/2013

LUMINAIRE DATA

| | |
|-----------------------------|---|
| Luminaire | LPT4-35LW-EDU LPT LED Premium Corridor, Wraps 7" x 48" LED LUMINAIRE WITH WRAPAROUND ACRYLIC PRISMED LENS |
| Ballast | D150CQ25UNVA-A |
| Ballast Factor | 1.00 |
| Lamp | LED |
| Fixture Lumens | 2687 |
| Watts | 25.30 |
| Mounting | Surface |
| Shielding Angle | 0° = 90 90° = 90 |
| Spacing Criterion | 0° = 1.26 90° = 1.21 |
| Luminous Opening in feet | Length: 4.00 Width: 0.50 Height: 0.25 |

ZONAL LUMEN SUMMARY

| Zone | Lumens | %Lamp | %Fixt. |
|-------|--------|-------|--------|
| 0-30 | 788 | 29.3 | 29.3 |
| 0-40 | 1253 | 46.6 | 46.6 |
| 0-60 | 1916 | 71.3 | 71.3 |
| 0-90 | 2392 | 89.0 | 89.0 |
| 0-180 | 2687 | 100.0 | 100.0 |

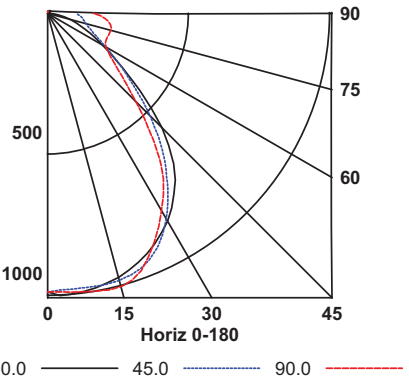
ENERGY DATA

| | |
|--|--|
| Total Luminaire Efficiency | 100.0% |
| Total Lumens per Watt | 106 |
| ANSI/IESNA RP-1-2004 Compliance | Noncompliant |
| Comparative Yearly Lighting Energy Cost per 1000 Lumens | \$2.24 based on 3000 hrs. and \$0.08 per KWH |

COEFFICIENTS OF UTILIZATION (%)

| RCR | RC | 80 | | | | 70 | | | | 50 | | | | 0 |
|-----|-----|-----|----|----|-----|----|----|----|----|----|----|----|----|---|
| | | RW | 70 | 50 | 30 | 10 | 70 | 50 | 30 | 10 | 50 | 30 | 10 | 0 |
| 1 | 106 | 101 | 96 | 92 | 102 | 98 | 94 | 90 | 91 | 88 | 85 | 73 | | |
| 2 | 97 | 89 | 82 | 76 | 93 | 86 | 80 | 75 | 81 | 76 | 71 | 62 | | |
| 3 | 89 | 79 | 71 | 65 | 86 | 76 | 69 | 63 | 72 | 66 | 61 | 54 | | |
| 4 | 82 | 70 | 62 | 56 | 79 | 68 | 61 | 55 | 65 | 58 | 53 | 47 | | |
| 5 | 76 | 64 | 55 | 49 | 73 | 62 | 54 | 48 | 58 | 52 | 46 | 41 | | |
| 6 | 70 | 58 | 49 | 43 | 68 | 56 | 48 | 42 | 53 | 46 | 41 | 37 | | |
| 7 | 65 | 53 | 44 | 38 | 63 | 51 | 43 | 38 | 49 | 42 | 37 | 33 | | |
| 8 | 61 | 48 | 40 | 34 | 59 | 47 | 39 | 34 | 45 | 38 | 33 | 30 | | |
| 9 | 57 | 44 | 37 | 31 | 55 | 43 | 36 | 31 | 41 | 35 | 30 | 27 | | |
| 10 | 54 | 41 | 33 | 28 | 52 | 40 | 33 | 28 | 38 | 32 | 28 | 25 | | |

INDOOR CANDELA PLOT



AVG. LUMINANCE (Candela/Sq. M.)

| Average Luminance Angle | 0.0 | 22.5 | 45.0 | 67.5 | 90.0 |
|-------------------------|------|------|------|------|------|
| 0 | 5312 | 5312 | 5312 | 5312 | 5312 |
| 30 | 5098 | 4640 | 4250 | 3980 | 3892 |
| 40 | 4640 | 3882 | 3329 | 3044 | 2875 |
| 45 | 4105 | 3290 | 2799 | 2392 | 2243 |
| 50 | 3335 | 2666 | 2255 | 1893 | 1800 |
| 55 | 2662 | 2132 | 1831 | 1590 | 1511 |
| 60 | 2185 | 1707 | 1523 | 1397 | 1379 |
| 65 | 1853 | 1345 | 1306 | 1328 | 1401 |
| 70 | 1598 | 1149 | 1203 | 1368 | 1518 |
| 75 | 1366 | 1045 | 1180 | 1471 | 1676 |
| 80 | 1144 | 976 | 1219 | 1626 | 1826 |
| 85 | 864 | 883 | 1303 | 1753 | 1876 |

RCR = Room Cavity Ratio

RC = Effective Ceiling Cavity Reflectance RW = Wall Reflectance