



FEATURES

- High efficacy LED in choice of lumen packages and colors
- Long-life, 60,000 hour LEDs at L80 (projected over 150,000 hours) for reduced life cycle maintenance costs (see table provided for details)
- Available in narrow or wide distribution
- IP65, IP66 and IP67 rated
- 1500 PSI High Pressure Hose down rating
- Drivers include minimum 6kV surge protection
- Fiberglass housing with F1 weatherability rating, standard
- Gasket is non-porous to ensure seal
- Impact modified acrylic lenses
- UL Sanitation Certified per NSF Standards
- Lens selections includes clear, frosted, or clear polycarbonate
- Lens firmly secured with tamper resistance ready latches
- Lens is tethered and gear tray hinges for ease of maintenance
- Stainless steel latching and mounting straps optional
- UL Sanitation Certified per NSF Standards
- Removable gear tray electrical access
- V-Hook mounting brackets included standard
- Thermal table below provides details elevated ambient offerings
- -20°C up to +45°C ambient operation; see table provided for details
- DesignLights Consortium® (DLC) qualified
- Five Year Warranty

PROJECT INFORMATION

Project Name _____

Type _____

Catalog No. _____

Date _____

CONSTRUCTION

Fiberglass reinforced housing and tough injection molded lens. Hinged driver tray for easy maintenance. Industrial fixture design allows for easy cleaning reduces dirt and water accumulation. 12 captive polyacetal (POM) latches and four fixed installation points secures the fixture during transit and allows for fast installation.

REFLECTOR

Specular reflector provides precise control and excellent efficiency for narrow distribution. Wide distribution uses high gloss white gear tray.

ELECTRICAL

Long-life LEDs are rated for 60,000 hours at L80 lumen maintenance. Driver options include fixed output for on/off function or continuous 0-10V dimming. QR code label affixed to housing for easy traceability.

FINISH

Housing has chemical resistant finish. Internal steel surfaces are painted with high gloss baked white enamel, applied over iron phosphate pre-treatment for maximum adhesion and rust resistance. Stainless steel parts have fine brushed mill finish.

CERTIFICATION

All luminaires are built to UL 1598 and 2108 wet location standards and have IP65/IP66/IP67 hose down ratings, and bear appropriate CSA labels. Housing and lens are made with 5VA (f1) fire rated materials. UL Sanitation Certified per NSF Standards. Wet location labeling is standard. DesignLights Consortium® (DLC) qualified. Please refer to the DLC website for specific product qualifications at www.designlights.org.

MOUNTING

Use flexible conduit only.

ORDERING INFORMATION

EXAMPLE LXEW4-40V-FAW-EDU

LXEW		4	-	-	-	-	-	
MODEL		SIZE	COLOR TEMP	LENS	DISTRIBUTION	VOLTAGE	OPTIONS	
LXEW Industrial Enclosed & Gasketed LED High Bay		4 4'	30 3000K 35 3500K 40 4000K 50 5000K	FA Frost Impact Resistant Acrylic (std.) CA Clear Impact Resistant Acrylic CP Clear UV Stabilized Polycarbonate	N Narrow Distribution W Wide Distribution	U 120V-277V 347 347V ¹ 480 480V ¹	GLR Fast Blow Fuse SSL Stainless Steel Tamper Resistant Ready Latches TP Tamper Proof Latches ELL14 Emergency Battery Pack Installed, 1400 Lumens ^{2,3} F3C8W 3 Wire 8' Wet Cord F3C15W 3 Wire 15' Wet Cord F4C8W 4 Wire 8' Wet Cord F4C15W 4 Wire 15' Wet Cord F5C8W 5 Wire 8' Wet Cord F5C15W 5 Wire 15' Wet Cord F6C6W 6 Wire 6' Wet Cord SWH Single Wet Hub 1/2" NPT Hub DWH Dual Wet Hub 1/2" NPT Hub	
ACCESSORIES (ORDER SEPARATELY)		DRIVER						
LHVQM5 Aircraft Cable, 5' (Pair)	LHVQM10 Aircraft Cable, 10' (Pair)	E Fixed Output ED 0-10V Dimming						
XEWMHSS Mounting Strap Hardware Kit, Stainless Steel, includes 4	XEWRBZLN Rigid Surface Mounting Bracket Kit, Zinc Plated, includes 2	LUMEN OUTPUT						
XEWRBSS Rigid Surface Mounting Bracket Kit, Stainless Steel, includes 2	XEWFBSSS Surface Mounting Bracket Kit, Stainless Steel, includes 2	L Low Watt	M Medium Lumen	MH Medium High Lumen	H High Lumen	HV High Very High Lumen	V Very High Lumen	X Extra High Lumen

¹ Not available with V and X packages

² Not Available with 347v/480v

³ Not Available with HV, V, X lumen packages

PHOTOMETRIC DATA

LUMINAIRE DATA

Luminaire	LXEW4-40M-CAW-EU LXEW LED Enclosed and Gasketed, Extreme Environment 15" x 52" LED with clear acrylic lens
Ballast	XI190C275V054B5G1
Ballast Factor	1.00
Lamp	LED
Fixture Lumens	16111
Watts	121.70
Mounting	Surface
Shielding Angle	0° = 90 90° = 90
Spacing Criterion	0° = 1.28 90° = 1.08
Luminous Opening in Feet	Length: 4.25 Width: 1.17 Height: 0.25

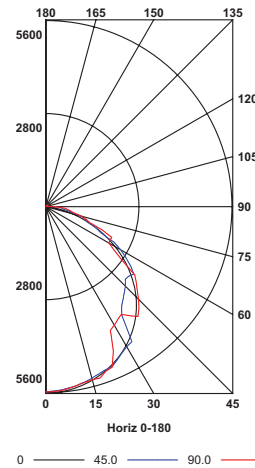
ZONAL LUMEN SUMMARY

Zone	Lumens	Lamp	Fixt.
0-30	4344	27.0	27.0
0-40	7013	43.5	43.5
0-60	12512	77.7	77.7
0-90	15855	98.4	98.4
0-180	16111	100.0	100.0

ENERGY DATA

Total Luminaire Efficiency	100.0%
Luminaire Efficacy Rating (LER)	132
IESNA RP-1-2004 Compliance	Non-Compliant
Comparative Yearly Lighting Energy Cost per 1000 Lumens	\$1.82 based on 3000 hrs. and \$0.08 per KWH

INDOOR CANDELA PLOT Test# 18542 Test Date 2/22/2017



LUMINAIRE DATA

Luminaire	LXEW4-50H-CAW-EU LXEW LED Enclosed and Gasketed, Extreme Environment 15" x 52" LED with clear acrylic lens
Ballast	XI095C275V054BSF1
Ballast Factor	1.00
Lamp	LED
Fixture Lumens	22321
Watts	173.50
Mounting	Surface
Shielding Angle	0° = 90 90° = 90
Spacing Criterion	0° = 1.29 90° = 1.12
Luminous Opening in Feet	Length: 4.00 Width: 2.00 Height: 0.25

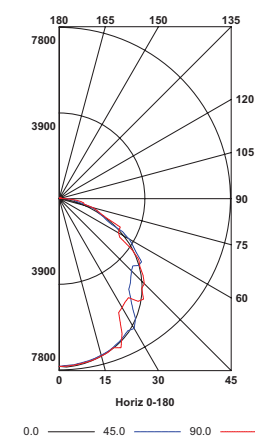
ZONAL LUMEN SUMMARY

Zone	Lumens	Lamp	Fixt.
0-30	5983	26.8	26.8
0-40	9674	43.3	43.3
0-60	17296	77.5	77.5
0-90	21980	98.5	98.5
0-180	22321	100.0	100.0

ENERGY DATA

Total Luminaire Efficiency	100.0%
Luminaire Efficacy Rating (LER)	129
IESNA RP-1-2004 Compliance	Non-Compliant
Comparative Yearly Lighting Energy Cost per 1000 Lumens	\$1.88 based on 3000 hrs. and \$0.08 per KWH

INDOOR CANDELA PLOT Test# 18564 Test Date 2/24/2017



LUMINAIRE DATA

Luminaire	LXEW4-50V-FAN-EU LXEW LED Enclosed and Gasketed, Extreme Environment 15" x 52" LED with frosted acrylic lens
Ballast	XI190C275V054B5G1
Ballast Factor	1.00
Lamp	LED
Fixture Lumens	31372
Watts	259.00
Mounting	Surface
Shielding Angle	0° = 90 90° = 90
Spacing Criterion	0° = 1.23 90° = 0.99
Luminous Opening in Feet	Length: 4.25 Width: 1.17 Height: 0.25

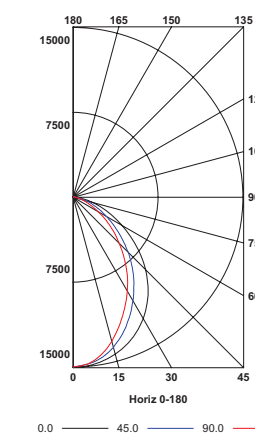
ZONAL LUMEN SUMMARY

Zone	Lumens	Lamp	Fixt.
0-30	10740	34.2	34.2
0-40	16751	53.4	53.4
0-60	26426	84.2	84.2
0-90	30837	98.3	98.3
0-180	31372	100.0	100.0

ENERGY DATA

Total Luminaire Efficiency	100.0%
Luminaire Efficacy Rating (LER)	121
IESNA RP-1-2004 Compliance	Non-Compliant
Comparative Yearly Lighting Energy Cost per 1000 Lumens	\$1.98 based on 3000 hrs. and \$0.08 per KWH

INDOOR CANDELA PLOT Test# 18561 Test Date 2/24/2017



LENGTH	OUTPUT	NOMINAL LUMEN RANGE	WATTS	LPW
4'	L	11,079 - 12,495	91	122 - 137
	M	14,926 - 16,539	122	123 - 136
	MH	16,580 - 18,689	138	121 - 136
	H	20,051 - 22,321	178	113 - 129
	HV	22,756 - 25,651	188	121 - 136
	V	29,040 - 32,557	260	112 - 126
	X	34,635 - 38,228	329	105 - 116

MAX AMBIENT OPERATING TEMP.						
LENGTH	OUTPUT	NOMINAL LUMEN RANGE	MAX AMBIENT OPERATING TEMPERATURE (C°) (UNIVERSAL VOLTAGE)	ELL14 (WITH UNIVERSAL VOLTAGE)	347v/480v	ELL14 (with 347v/480v)
4'	L	11,079 - 12,495	45	45	35	N/A
	M	14,926 - 16,539	45	45	35	N/A
	MH	16,580 - 18,689	45	35	35	N/A
	H	20,051 - 22,321	35	25	35	N/A
	HV	22,756 - 25,651	30	N/A	35	N/A
	V	29,040 - 32,557	30	N/A	N/A	N/A
	X	34,635 - 38,228	25	N/A	N/A	N/A

	LXEW PREDICTED LIFE				LUMEN MAINTENANCE		
	LENGTH	OUTPUT	NOMINAL LUMEN RANGE	AMBIENT OPERATING TEMPERATURE (C°)	L70	L80	L90
CALCULATED HOURS	4'	L	11,079 - 12,495	25	170,000	101,000	41,000
				45	243,000	150,000	68,000
		M	14,926 - 16,539	25	170,000	101,000	41,000
				45	243,000	150,000	68,000
		MH	16,580 - 18,689	25	170,000	101,000	41,000
				45	243,000	150,000	68,000
		H	20,051 - 22,321	25	170,000	101,000	41,000
				35	249,000	154,000	70,000
		HV	22,756 - 25,651	25	170,000	101,000	41,000
				30	170,000	101,000	41,000
		V	29,040 - 32,557	25	170,000	101,000	41,000
				30	170,000	101,000	41,000
		X	34,635 - 38,228	25	170,000	101,000	41,000
				25	170,000	101,000	41,000

PRODUCT AVAILABILITY

Lumen Package	Output	Color	Lens	Distribution	Lumens	Watts	LPW	
LXEW4-30L-CPN-EU	Low Watt	30K	CP	Narrow	11,079	91.2	121.5	
LXEW4-30L-FAN-EU			FA	Narrow	11,101	91.0	122.0	
LXEW4-30L-CAN-EU			CA	Narrow	11,238	91.2	123.2	
LXEW4-30L-FAW-EU			FA	Wide	11,399	91.1	125.1	
LXEW4-30L-CPW-EU			CP	Wide	11,455	91.1	125.7	
LXEW4-30L-CAW-EU			CA	Wide	11,596	91.3	127.0	
LXEW4-35L-CPN-EU		35K	CP	Narrow	11,457	91.2	125.6	
LXEW4-35L-FAN-EU			FA	Narrow	11,480	91.0	126.2	
LXEW4-35L-CAN-EU			CA	Narrow	11,622	91.2	127.4	
LXEW4-35L-FAW-EU			FA	Wide	11,788	91.1	129.4	
LXEW4-35L-CPW-EU			CP	Wide	11,846	91.1	130.0	
LXEW4-35L-CAW-EU			CA	Wide	11,992	91.3	131.3	
LXEW4-40L-CPN-EU		40K	CP	Narrow	11,628	91.2	127.5	
LXEW4-40L-FAN-EU			FA	Narrow	11,652	91.0	128.0	
LXEW4-40L-CAN-EU			CA	Narrow	11,796	91.2	129.3	
LXEW4-40L-FAW-EU			FA	Wide	11,965	91.1	131.3	
LXEW4-40L-CPW-EU			CP	Wide	12,024	91.1	132.0	
LXEW4-40L-CAW-EU			CA	Wide	12,172	91.3	133.3	
LXEW4-50L-CPN-EU		50K	CP	Narrow	11,938	91.2	130.9	
LXEW4-50L-FAN-EU			FA	Narrow	11,962	91.0	131.4	
LXEW4-50L-CAN-EU			CA	Narrow	12,110	91.2	132.8	
LXEW4-50L-FAW-EU			FA	Wide	12,283	91.1	134.8	
LXEW4-50L-CPW-EU			CP	Wide	12,344	91.1	135.5	
LXEW4-50L-CAW-EU			CA	Wide	12,495	91.3	136.9	
LXEW4-30M-CPN-EU		Medium Lumen	30K	30K	Narrow	14,926	121.4	123.0
LXEW4-30M-FAN-EU				30K	Narrow	14,937	121.4	123.0
LXEW4-30M-CAN-EU				30K	Narrow	15,085	121.4	124.3
LXEW4-30M-FAW-EU				30K	Wide	15,242	121.8	125.1
LXEW4-30M-CPW-EU				30K	Wide	15,286	121.9	125.4
LXEW4-30M-CAW-EU				30K	Wide	15,349	121.7	126.1
LXEW4-35M-CPN-EU	35K		35K	Narrow	15,436	121.4	127.1	
LXEW4-35M-FAN-EU			35K	Narrow	15,447	121.4	127.2	
LXEW4-35M-CAN-EU			35K	Narrow	15,600	121.4	128.5	
LXEW4-35M-FAW-EU			35K	Wide	15,762	121.8	129.4	
LXEW4-35M-CPW-EU			35K	Wide	15,807	121.9	129.7	
LXEW4-35M-CAW-EU			35K	Wide	15,873	121.7	130.4	
LXEW4-40M-CPN-EU	40K		40K	Narrow	15,667	121.4	129.1	
LXEW4-40M-FAN-EU			40K	Narrow	15,679	121.4	129.1	
LXEW4-40M-CAN-EU			40K	Narrow	15,834	121.4	130.4	
LXEW4-40M-FAW-EU			40K	Wide	15,998	121.8	131.3	
LXEW4-40M-CPW-EU			40K	Wide	16,044	121.9	131.6	
LXEW4-40M-CAW-EU			40K	Wide	16,111	121.7	132.4	
LXEW4-50M-CPN-EU	50K		50K	Narrow	16,084	121.4	132.5	
LXEW4-50M-FAN-EU			50K	Narrow	16,096	121.4	132.6	
LXEW4-50M-CAN-EU			50K	Narrow	16,255	121.4	133.9	
LXEW4-50M-FAW-EU			50K	Wide	16,424	121.8	134.8	
LXEW4-50M-CPW-EU			50K	Wide	16,471	121.9	135.1	
LXEW4-50M-CAW-EU			50K	Wide	16,539	121.7	135.9	

PRODUCT AVAILABILITY

Lumen Package	Output	Color	Lens	Distribution	Lumens	Watts	LPW	
LXEW4-30MH-CPN-EU	Medium High Lumen	30K	CP	Narrow	16,580	137.2	120.8	
LXEW4-30MH-CAN-EU			CA	Narrow	16,771	137.4	122.1	
LXEW4-30MH-FAN-EU			FA	Narrow	16,843	137.2	122.8	
LXEW4-30MH-FAW-EU			FA	Wide	17,008	137.3	123.9	
LXEW4-30MH-CPW-EU			CP	Wide	17,101	137.3	124.6	
LXEW4-30MH-CAW-EU			CA	Wide	17,344	137.5	126.1	
LXEW4-35MH-CPN-EU		35K	35K	CP	Narrow	17,146	137.2	125.0
LXEW4-35MH-CAN-EU				CA	Narrow	17,343	137.4	126.2
LXEW4-35MH-FAN-EU				FA	Narrow	17,418	137.2	127.0
LXEW4-35MH-FAW-EU				FA	Wide	17,589	137.3	128.1
LXEW4-35MH-CPW-EU				CP	Wide	17,684	137.3	128.8
LXEW4-35MH-CAW-EU				CA	Wide	17,936	137.5	130.4
LXEW4-40MH-CPN-EU		40K	40K	CP	Narrow	17,403	137.2	126.8
LXEW4-40MH-CAN-EU				CA	Narrow	17,603	137.4	128.1
LXEW4-40MH-FAN-EU				FA	Narrow	17,679	137.2	128.9
LXEW4-40MH-FAW-EU				FA	Wide	17,852	137.3	130.0
LXEW4-40MH-CPW-EU				CP	Wide	17,950	137.3	130.7
LXEW4-40MH-CAW-EU				CA	Wide	18,205	137.5	132.4
LXEW4-50MH-CPN-EU		50K	50K	CP	Narrow	17,866	137.2	130.2
LXEW4-50MH-CAN-EU				CA	Narrow	18,072	137.4	131.5
LXEW4-50MH-FAN-EU				FA	Narrow	18,149	137.2	132.3
LXEW4-50MH-FAW-EU				FA	Wide	18,327	137.3	133.5
LXEW4-50MH-CPW-EU				CP	Wide	18,427	137.3	134.2
LXEW4-50MH-CAW-EU				CA	Wide	18,689	137.5	135.9
LXEW4-30H-CPN-EU		High Lumen	30K	CP	Narrow	20,051	173.3	115.7
LXEW4-30H-FAN-EU				FA	Narrow	20,053	178.1	112.6
LXEW4-30H-CAN-EU				CA	Narrow	20,257	173.2	117.0
LXEW4-30H-FAW-EU				FA	Wide	20,433	173.4	117.8
LXEW4-30H-CPW-EU				CP	Wide	20,531	173.6	118.3
LXEW4-30H-CAW-EU				CA	Wide	20,714	173.5	119.4
LXEW4-35H-CPN-EU	35K		35K	CP	Narrow	20,736	173.3	119.7
LXEW4-35H-FAN-EU				FA	Narrow	20,738	178.1	116.4
LXEW4-35H-CAN-EU				CA	Narrow	20,948	173.2	120.9
LXEW4-35H-FAW-EU				FA	Wide	21,130	173.4	121.9
LXEW4-35H-CPW-EU				CP	Wide	21,232	173.6	122.3
LXEW4-35H-CAW-EU				CA	Wide	21,421	173.5	123.5
LXEW4-40H-CPN-EU	40K		40K	CP	Narrow	21,047	173.3	121.4
LXEW4-40H-FAN-EU				FA	Narrow	21,049	178.1	118.2
LXEW4-40H-CAN-EU				CA	Narrow	21,262	173.2	122.8
LXEW4-40H-FAW-EU				FA	Wide	21,447	173.4	123.7
LXEW4-40H-CPW-EU				CP	Wide	21,550	173.6	124.1
LXEW4-40H-CAW-EU				CA	Wide	21,742	173.5	125.3
LXEW4-50H-CPN-EU	50K		50K	CP	Narrow	21,607	173.3	124.7
LXEW4-50H-FAN-EU				FA	Narrow	21,609	178.1	121.3
LXEW4-50H-CAN-EU				CA	Narrow	21,828	173.2	126.0
LXEW4-50H-FAW-EU				FA	Wide	22,018	173.4	127.0
LXEW4-50H-CPW-EU				CP	Wide	22,124	173.6	127.4
LXEW4-50H-CAW-EU				CA	Wide	22,321	173.5	128.6

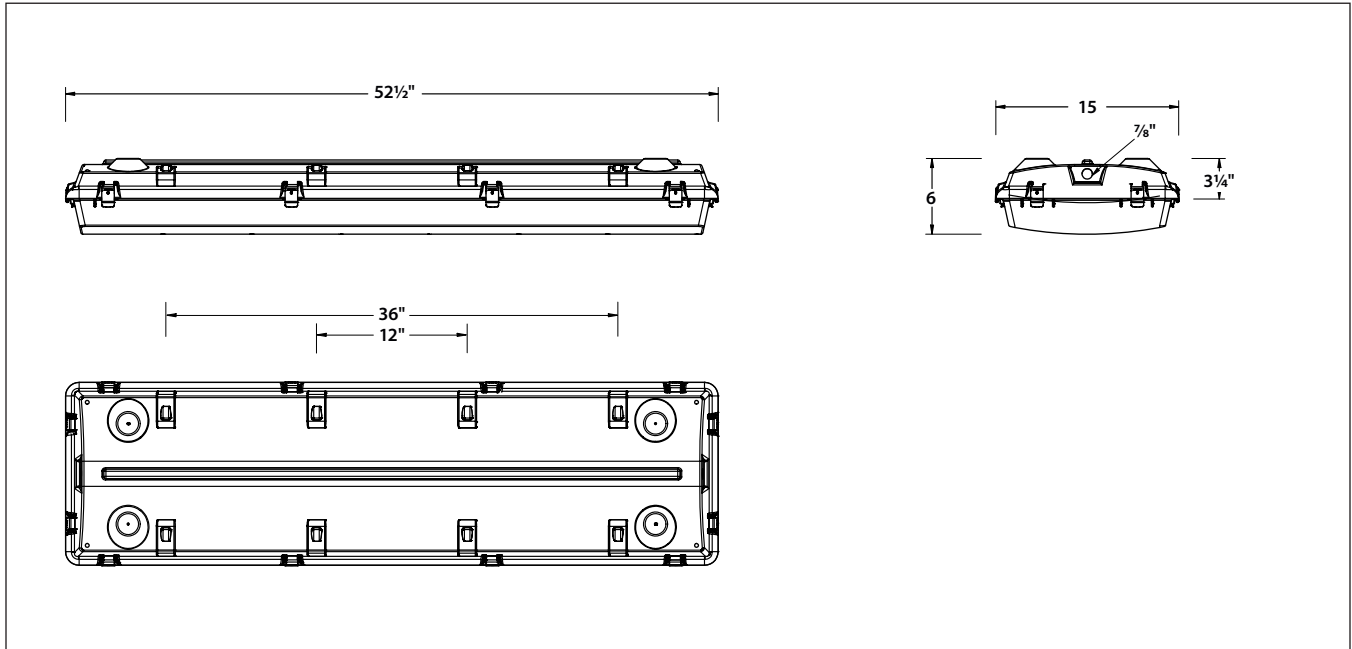
PRODUCT AVAILABILITY

Lumen Package	Output	Color	Lens	Distribution	Lumens	Watts	LPW
LXEW4-30HV-CPN-EU	High Very High Lumen	30K	CP	Narrow	22,756	187.9	121.1
LXEW4-30HV-FAN-EU			FA	Narrow	22,796	187.9	121.3
LXEW4-30HV-CAN-EU			CA	Narrow	22,958	187.9	122.2
LXEW4-30HV-FAW-EU			FA	Wide	23,489	188.3	124.7
LXEW4-30HV-CPW-EU			CP	Wide	23,608	188.3	125.4
LXEW4-30HV-CAW-EU			CA	Wide	23,805	188.4	126.4
LXEW4-35HV-CPN-EU		35K	CP	Narrow	23,533	187.9	125.2
LXEW4-35HV-FAN-EU			FA	Narrow	23,574	187.9	125.5
LXEW4-35HV-CAN-EU			CA	Narrow	23,741	187.9	126.3
LXEW4-35HV-FAW-EU			FA	Wide	24,290	188.3	129.0
LXEW4-35HV-CPW-EU			CP	Wide	24,414	188.3	129.7
LXEW4-35HV-CAW-EU			CA	Wide	24,617	188.4	130.7
LXEW4-40HV-CPN-EU		40K	CP	Narrow	23,886	187.9	127.1
LXEW4-40HV-FAN-EU			FA	Narrow	23,927	187.9	127.3
LXEW4-40HV-CAN-EU			CA	Narrow	24,097	187.9	128.2
LXEW4-40HV-FAW-EU			FA	Wide	24,655	188.3	130.9
LXEW4-40HV-CPW-EU			CP	Wide	24,780	188.3	131.6
LXEW4-40HV-CAW-EU			CA	Wide	24,986	188.4	132.6
LXEW4-50HV-CPN-EU		50K	CP	Narrow	24,521	187.9	130.5
LXEW4-50HV-FAN-EU			FA	Narrow	24,564	187.9	130.7
LXEW4-50HV-CAN-EU			CA	Narrow	24,738	187.9	131.7
LXEW4-50HV-FAW-EU			FA	Wide	25,311	188.3	134.4
LXEW4-50HV-CPW-EU			CP	Wide	25,439	188.3	135.1
LXEW4-50HV-CAW-EU			CA	Wide	25,651	188.4	136.2
LXEW4-30V-CPN-EU	Very High Lumen	30K	CP	Narrow	29,040	259.1	112.1
LXEW4-30V-FAN-EU			FA	Narrow	29,114	259.0	112.4
LXEW4-30V-CAN-EU			CA	Narrow	29,317	258.3	113.5
LXEW4-30V-FAW-EU			FA	Wide	29,811	259.1	115.1
LXEW4-30V-CPW-EU			CP	Wide	30,051	259.1	116.0
LXEW4-30V-CAW-EU			CA	Wide	30,214	259.5	116.4
LXEW4-35V-CPN-EU		35K	CP	Narrow	30,031	259.1	115.9
LXEW4-35V-FAN-EU			FA	Narrow	30,107	259.0	116.2
LXEW4-35V-CAN-EU			CA	Narrow	30,318	258.3	117.4
LXEW4-35V-FAW-EU			FA	Wide	30,828	259.1	119.0
LXEW4-35V-CPW-EU			CP	Wide	31,077	259.1	119.9
LXEW4-35V-CAW-EU			CA	Wide	31,245	259.5	120.4
LXEW4-40V-CPN-EU		40K	CP	Narrow	30,482	259.1	117.6
LXEW4-40V-FAN-EU			FA	Narrow	30,559	259.0	118.0
LXEW4-40V-CAN-EU			CA	Narrow	30,773	258.3	119.1
LXEW4-40V-FAW-EU			FA	Wide	31,290	259.1	120.8
LXEW4-40V-CPW-EU			CP	Wide	31,543	259.1	121.7
LXEW4-40V-CAW-EU			CA	Wide	31,714	259.5	122.2
LXEW4-50V-CPN-EU		50K	CP	Narrow	31,293	259.1	120.8
LXEW4-50V-FAN-EU			FA	Narrow	31,372	259.0	121.1
LXEW4-50V-CAN-EU			CA	Narrow	31,591	258.3	122.3
LXEW4-50V-FAW-EU			FA	Wide	32,123	259.1	124.0
LXEW4-50V-CPW-EU			CP	Wide	32,382	259.1	125.0
LXEW4-50V-CAW-EU			CA	Wide	32,557	259.5	125.5

PRODUCT AVAILABILITY

Lumen Package	Output	Color	Lens	Distribution	Lumens	Watts	LPW
LXEW4-30X-FAN-EU	Extra High Lumen	30K	FA	Narrow	34,635	329.1	105.2
LXEW4-30X-FAW-EU			FA	Wide	35,172	327.9	107.3
LXEW4-30X-CAW-EU			CA	Wide	35,357	327.7	107.9
LXEW4-30X-CPW-EU			CP	Wide	35,443	328.1	108.0
LXEW4-30X-CAN-EU			CA	Narrow	35,477	329.4	107.7
LXEW4-35X-FAN-EU		35K	FA	Narrow	35,817	329.1	108.8
LXEW4-35X-FAW-EU			FA	Wide	36,372	327.9	110.9
LXEW4-35X-CAW-EU			CA	Wide	36,563	327.7	111.6
LXEW4-35X-CPW-EU			CP	Wide	36,652	328.1	111.7
LXEW4-35X-CAN-EU			CA	Narrow	36,687	329.4	111.4
LXEW4-40X-FAN-EU		40K	FA	Narrow	36,354	329.1	110.5
LXEW4-40X-FAW-EU			FA	Wide	36,918	327.9	112.6
LXEW4-40X-CAW-EU			CA	Wide	37,112	327.7	113.2
LXEW4-40X-CPW-EU			CP	Wide	37,202	328.1	113.4
LXEW4-40X-CAN-EU			CA	Narrow	37,238	329.4	111.4
LXEW4-50X-FAN-EU		50K	FA	Narrow	37,321	329.1	113.4
LXEW4-50X-FAW-EU			FA	Wide	37,900	327.9	115.6
LXEW4-50X-CAW-EU			CA	Wide	38,099	327.7	116.3
LXEW4-50X-CPW-EU			CP	Wide	38,191	328.1	116.4
LXEW4-50X-CAN-EU			CA	Narrow	38,228	329.4	116.1

DIMENSIONAL DATA



NOTE: All dimensions are in inches; dimensions and specifications are subject to change without notice. Please consult factory or check sample for verification.