

► **Code Number**

3400001

► **Description**

Concealed piston type, rough brass, manual, true flushometer for top inlet or rear inlet, wall hung or floor mount, wash down or siphon jet toilets.

► **Flush Cycle**

Closet Flush Cycle 1.28 gpf/4.8 Lpf

► **Specifications**

Quiet, concealed piston type manual flushometer with the following features:

- Fixed Volume Piston with Filtered O-ring Bypass
- Piston color-coded by flush volume for easy identification
- Chrome-plated, corrosion-resistant, vandal resistant wall plate
- High Efficiency flush volume for water conservation
- Easy to push manual button is ADA compliant- less than 5 lbf/22N of force required to activate
- Flood prevention feature limits flow to a trickle in the wide open position
- Heavy duty brass valve body
- Safety collar locks activation assembly to prevent access of internal components without shutting off water
- Replaceable piston assembly, accessible through front wall plate
- Concealed shut off sleeve adjusts flow rate - accessible without removing button/bracket assembly
- Operating pressure 10-100 psi (0.7-7 bars)
- 1-1/2" NPT (female) Inlet standard
- 1-1/2" NPSM Outlet standard

► **Variations**

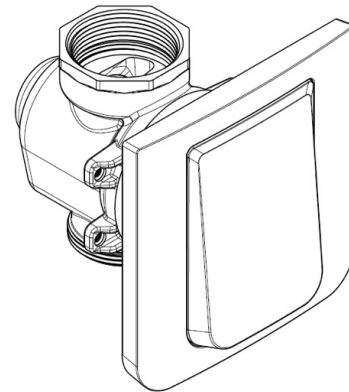
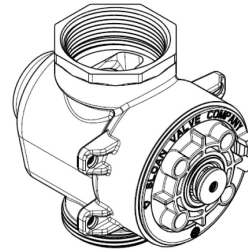
M = Zinc die cast wall plate/button bracket assembly

Inlet adaptor variations

- Specify 1.25" (31.75 mm), 1" (25.4 mm) or .75" (19.1 mm)
- Available with NPT or BSP-G threads



Model TRF 156-1.28 Shown



Wall plate dimensions 5.2" x 5.2" (132 mm x 132 mm)

► **Compliance & Certifications**



This space for Architect/Engineer Approval