

MARINER™ FLOODLIGHT

STAINLESS STEEL FLOOD

Cat. #		Approvals
Job	Type	



APPLICATIONS

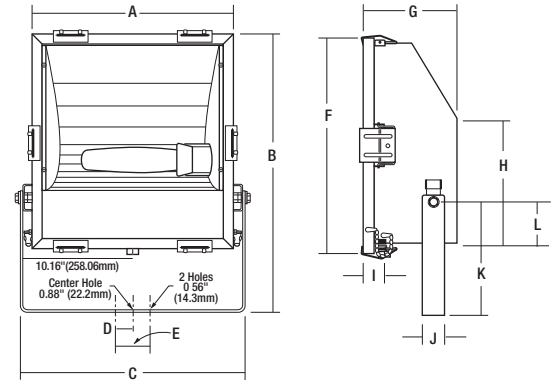
- For use in corrosive, hosedown, marine, shipboard and hazardous environments. Integrally ballasted luminaire. SFMM Series is for marine applications. SFM2 Series is for hazardous and marine applications.

SPECIFICATIONS

- Restricted Breathing "RB" option for lower T-Ratings.
- Elevated ambient "EA" options capability up to 65°C.
- "Quick release" lens latches for ease of entry, no screws.
- Luminaire, lens frame, lens latches – 16 gauge 316SS.
- Mounting yoke, safety lens door chains, cord grips (SFMM), conduit hubs (SFM2) – SS316.
- Mounting accessories are hot dipped galvanized steel.

LISTINGS

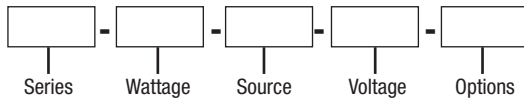
- SFMM and SFM2 Listings: UL1598 and 1598A Marine Outdoor. NEMA 4X; IP66/67
- SFM2 Listings: UL844 Standard: Class I, Division 2 Groups A, B, C, D; Class I, Zone 2 Groups IIC, IIB, IIA. ExnR, AxnR Restricted Breathing.
- Type approval American Bureau of Shipping (ABS)



A	B	C	D	E	F
18 ⁵ / ₁₆ "	25 ⁷ / ₃₂ "	20 ⁷ / ₃₂ "	1 ¹ / ₂ "	3 ³ / ₃₂ "	19 ²³ / ₃₂ "
465 mm	640 mm	513 mm	39.7 mm	79.5 mm	500 mm
G	H	I	J	K	L
8 ¹⁹ / ₃₂ "	11"	2"	2"	10 ¹³ / ₁₆ "	4 ⁷ / ₃₂ "
220 mm	279.4 mm	50.8 mm	50.8 mm	274.3 mm	106.3 mm

ORDERING INFORMATION

ORDERING EXAMPLE: SFM2-40-P-8-EA



SERIES

SFMM	Stainless Flood Marine
SFM2	Stainless Flood Marine Class I, Division 2

SOURCE

S	High Pressure Sodium
P	Pulse Start (PS) Metal Halide (lamp included)

VOLTAGE

5	480V ⁶
6	Tri-Tap® (120/277/347V)
8	Quad-Tap® (120/208/240/277V)
E	220/240V, 50 Hz
P	220V, 60 Hz (250, 400W MH only)

OPTIONS

F(X)	Fusing (specify voltage) ^{1,2,3}
RS	Hot Re-Strike (150W HPS)
QS	Quartz Standby ⁴
PCR(X)	Photo Control ^{1,2,3,4}
EA	Elevated Ambient (40°C, 55°C, 65°C) capabilities, see chart for applicable wattages
RB	Restricted Breathing Housing allowing lower T-Ratings for SFM2 & SFMM2 Series only. Fixture provided with test port entry on side.

WATTAGE

15	150W HPS, PS
17	175W PS
25	250W HPS, PS ⁵
40	400W HPS, PS

1 To denote voltage, replace X with 1=120V; 2=208V; 3=240V; 4=277V; 5=480V; 6=347V.
 2 Not UL 1598A Marine Listed or CSA listed for hazardous location.
 3 CSA certification applicable to Tri-Tap® ballast only.
 4 Available in SFMM only. Not suitable for hazardous location.
 5 250W Pulse Start not available in 480V or Tri-Tap®.

SFMM/SFM2***INTEGRAL BALLAST AMBIENT SUITABILITIES & T-RATINGS*
(SUFFIX "EA")**

WATTAGE & LAMP TYPE	T-RATINGS & AMBIENT TEMPERATURE					
	40°C		55°C		65°C	
	CLASS I	CLASS I	CLASS I	CLASS I	CLASS1	CLASS I
	DIV 2/ ZONE 2	ZONE 2 ExnR AExnR	DIV 2/ ZONE 2	ZONE 2 ExnR AExnR	DIV 2/ ZONE 2	ZONE 2 ExnR AExnR
150W PS	T1	T4	T1	T3	T1	T3
175W MH	T1	T4	T1	T3	T1	T3
250W MH, PS	T1	T3	T1	T1	—	—
400W MH, PS	T1	T3	—	—	—	—
150W HPS	T2A/T2	T4	T2	T4	T2	T3
250W HPS	T1	T3	T1	T3	—	—
400W HPS	T1	T3	—	—	—	—
175W MV	T1	T4	T1	T4	T1	T3
250W MV	T1	T3	T1	T3	—	—
400W MV	T1	T3	—	—	—	—

* For standard SFM2 (less suffix EA), apply T-Ratings from 40°C column above.

SFMM/SFM2**INTEGRAL BALLAST SUPPLY WIRE RATINGS
(SUFFIX "EA")**

WATTAGE/LAMP TYPE	AMBIENT TEMPERATURE		
	40°C	55°C	65°C
175W MH	90°C	90°C	110°C
250W MH, PS	110°C	110°C	—
400W MH, PS	110°C	—	—
150W HPS	90°C	90°C	110°C
250W HPS	90°C	110°C	—
400W HPS	110°C	—	—
175W MV	90°C	110°C	110°C
250W MV	90°C	110°C	—
400W MV	110°C	—	—

Due to our continued efforts to improve our products, product specifications are subject to change without notice.



Industrial Lighting

Hubbell Industrial Lighting • 701 Millennium Boulevard • Greenville, SC 29607 • PHONE: 864-678-1000

For more information visit our web site: www.hubbell-ltg.com