

MATRIX

Cat.#

Job

Type



Approvals

AREA/POST TOP

SPECIFICATIONS

Intended Use:

The Beacon Matrix luminaire is available in three configurations with a wide choice of different LED wattage configurations and optical distributions designed to replace HID lighting up to 1000W MH or HPS. Luminaires are suitable for wet locations.

Construction:

- Manufactured with die cast aluminum.
- Coated with a polyester finish that meets ASTM B117 corrosion test requirements and ASTM D522 cracking and loss of adhesion test requirements.
- External hardware is corrosion resistant.
- One piece optical cartridge system consisting of an LED engine, LED lamps, optics, gasket and stainless steel bezel.
- Cartridge can be field replaced as a one piece optical system.
- Silicone gasket ensures a weather-proof seal around each individual optic.

Electrical:

- Luminaire accepts 100V through 277V, 50 Hz to 60 Hz (UNV), 347V, or 480V input.
- Power factor is $\geq .90$ at full load.
- Dimming drivers are standard, but must contact factory to request wiring leads for purpose of external dimming controls.
- Component-to-component wiring within the luminaire may carry no more than 80% of rated load and is certified by UL for use at 600VAC at 90°C or higher.
- Fixture electrical compartment shall contain all LED driver components and optional push-button terminal block for AC power connections.
- Optional 7-pin ANSI C136.41-2013 twist-lock photo control receptacle available. Compatible with ANSI C136.41 external wireless control devices.
- Ambient operating temperature -40°C to 40°C
- Surge protection - 20kA. ANSI/IEEE category C high

Controls/Options:

- Available with an optional passive infrared (PIR) motion sensor capable of detecting motion 360° around the luminaire. When no motion is detected for the specified time, the motion response system reduces the wattage to factory preset level, reducing the light level accordingly. When motion is detected by the PIR sensor, the luminaire returns to full wattage and full light output. Please contact Beacon Products if project requirements vary from standard configuration.
- Available with Energeni for optional set dimming, timed dimming with simple delay, or timed dimming based on time of night (see www.beaconproducts.com/products/energeni).
- In addition, Matrix can be specified with SiteSync™ wireless control system for reduction in energy and maintenance costs while optimizing light quality 24/7. For more details, see ordering information or visit: www.hubbellighting.com/sitesync

Installation:

- Mounting options for horizontal arm, vertical tenon or traditional arm mounting available. Mounting hardware included.

Finish:

- IFS polyester powder-coat electrostatically applied and thermocured. IFS finish consists of a five stage pretreatment regimen with a polymer primer sealer and top coated with a thermoset super TGIC polyester powder coat finish.
- The finish meets the AAMA 2604 performance specification which includes passing a 3000 hour salt spray test for corrosion resistance and resists cracking or loss of adhesion per ASTM D522 and resists surface impacts of up to 160 inch-pounds.

Certifications/Ratings:

- DesignLights Consortium (DLC) qualified, consult DLC website for more details: <http://www.designlights.org/QPL>
- Certified to UL 1598, UL 8750, and CSA C22.2 No. 250.0
- 3G rated for ANSI C136.31 high vibration applications with MAF mounting
- IP65 optical assembly
- IDA approved

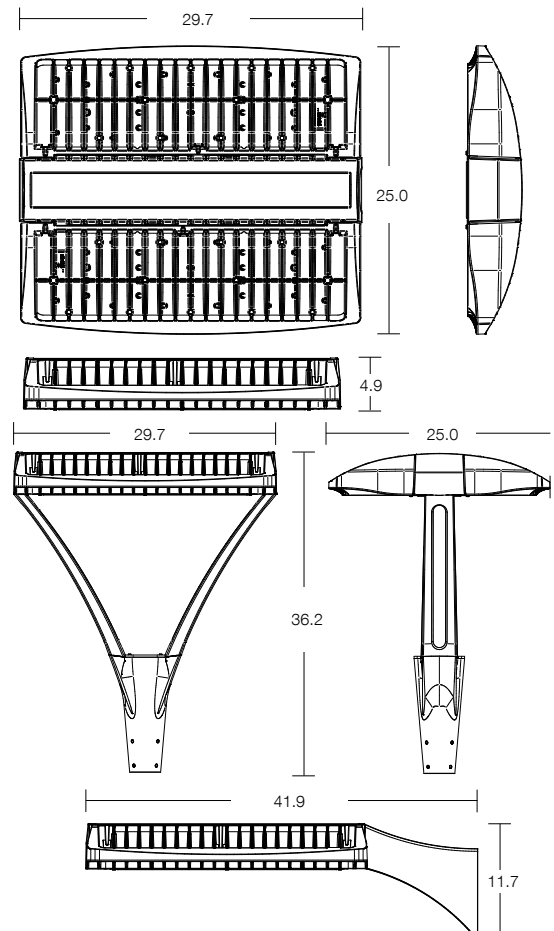
Warranty:

Five year limited warranty for more information visit: www.hubbellighting.com/resources/warranty

PRODUCT IMAGE(S)



DIMENSIONS



Model	Mount	Weight lbs.	Weight kgs.	EPA, Sq. ft.
Area	MAF	73.5	33.4	1.7
	ARM	80.0	36.4	1.7
	Post-Top	89.5	40.7	2.5
	Knuckle, 0°	86.0	39.1	1.7
	Knuckle, 30°			3.8

CERTIFICATIONS/LISTINGS



Beacon Products • 2041 58th Avenue Circle East Bradenton, FL 34203 • Phone: 800-345-4928

Due to our continued efforts to improve our products, product specifications are subject to change without notice.

© 2017 BEACON PRODUCTS, All Rights Reserved • For more information visit our website: www.beaconproducts.com • Printed in USA NOVEMBER 9, 2017 2:58 PM



MA/A								
SERIES	ENGINE	CCT/CRI ¹	ROTATION	COLOR	CONTROL OPTIONS	OPTIONS		
MA/A Matrix	80L-260 260W, 33,000 lm 96L-315 315W, 40,000 lm 64L-325 325W, 37,000 lm 64L-370 370W, 40,000 lm 80L-405 405W, 45,000 lm 80L-465 465W, 50,000 lm 96L-490 490W, 55,000 lm 96L-555 555W 60,000 lm	5K7 5000K, 70 CRI 4K7 4000K, 70 CRI 3K7 3000K, 70 CRI	Leave blank for no rotation L ¹ Optic rotation left R ¹ Optic rotation right	DB Dark Bronze Textured BL Black Textured WH White Textured PS Plat. Silver Smooth GYS Light Gray Smooth GT Graphite Textured TT Titanium Textured CC Custom Color	7PR-TL ⁷ 7 pin PCR with photo control 7PR-SC 7 pin PCR with shorting cap 2PF 2 power feed with 2 drivers GENI ^{2,3} Energeni SCL/40F Low voltage sensor for 7PR-SC and wiSCAPE external control accessory SCP/40F ^{2,4,5} Programmable Line Voltage sensor SWP ^{2,6} SiteSync Pre-Commission SWPM/40F ^{2,6} SiteSync Pre-Commission w/Sensor	BC Backlight Control SF120 120V Fuse SF277 277V Fuse SF347 347V Fuse DF208 208V Fuse DF240 240V Fuse DF480 480V Fuse TB ⁸ Terminal Block BS Bird Spikes		
			DISTRIBUTION FR Type 1/Front Row 2 Type 2 3 Type 3 4 Type 4 5R Type 5 Rectangular 5QM Type 5 Square Med 5QW Type 5R Square Wide	MOUNTING ASQ Arm Square A2 Arm mount for 2.4"-3.0" OD round pole A3 Arm mount for 3.1"-4.0" OD round pole A4 Arm mount for 4.1"-5.0" OD round pole A5 Arm mount for 5.1"-6.0" OD round pole MAF Mast Arm Fitter (same as slip fitter) K ⁹ Knuckle (5° adjustable fitter) PT2 Post top of 2 3/8" tenon (3.5 bottom OD)				
			VOLTAGE UNV 120-277V 347 347V 480 480V					

¹ Not available with 5QM or 5QW distribution.
² Not available with other sensor or wireless control options.
³ Specify routine setting code (example GENI-04). See ENERGENI brochure and instructions for setting table options.
⁴ Photocell included with sensor, additional photocontrol not recommended.
⁵ Order at least one SCPREMOTE per project location to program and control
⁶ Specify group and zone at time of order. See www.hubbell-automation.com/products/sitesync/ for more details. Order at least one SiteSync interface Accessory SWUSB or SWTAB. Each option contains SiteSync License, GUI, and Bridge Node
⁷ 7PR-TL shipped with shorting cap installed. Twist-lock photocell shipped with fixture. Installer must remove shorting cap and install photocell at time of installation.
⁸ Limited to applications requiring 30° tilt or less. If higher angle tilt is required use flood version with glass cover
⁹ Not available on K or PT2 mountings
¹⁰ Requires 7PR-SC photocell receptacle. Include SCL/40F if occupancy sensing is required

Accessories and Services (Ordered Separately)

Control Accessories	
SWUSB	SiteSync Software on USB
SWTAB	SiteSync Windows Tablet
SWBRG	SiteSync Wireless Bridge Node
SCPREMOTE	Order at least one per project location to program and control
WIR-RME-L ¹⁰	wiSCAPE external control node
Accessories	
MAA-BC	Backlight Control accessory kit

PRECOMMISSIONED SITESYNC ORDERING INFORMATION: When ordering a fixture with the SiteSync lighting control option, additional information will be required to complete the order. The SiteSync Commissioning Form or alternate schedule information must be completed. This form includes Project location, Group information, and Operating schedules. For more detailed information please visit www.hubbell-automation.com/products/sitesync/ or contact Hubbell Lighting tech support at (800) 345-4928.

SiteSync fixtures with Motion control (SWPM) require the mounting height of the fixture for selection of the lens.

Examples: MAA/96L-555/4K7/3/UNV/K/GT/SWP SiteSync only
 MAA/96L-555/4K7/3/UNV/K/GT/SWPM/40F SiteSync with Motion Control



SiteSync Lighting Control is available from our most popular brands in a broad range of award-winning product families.

