

Technical Bulletin

MAYTAG®

Date: March 2006

Type Policy Letter
√ Service Information

No: TDL-0115-B
Page 1 of 1

Attention Service Managers
√ Service and Parts Managers

Models FAV6800AWQ, FAV6800AWW, FAV9800AWQ, FAV9800AWW

Brand
Maytag

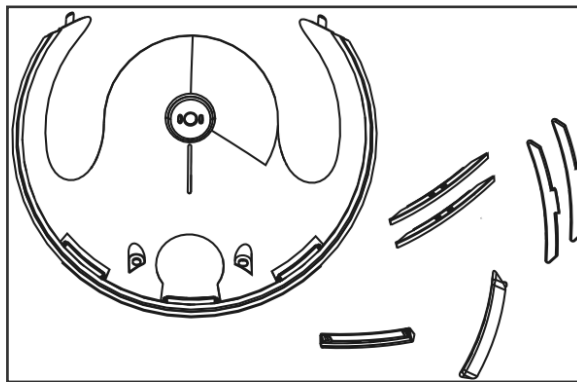
Issue The lifter bar bearing kit #12002196 was modified.

Warranty Standard product manufacturing warranty applies.

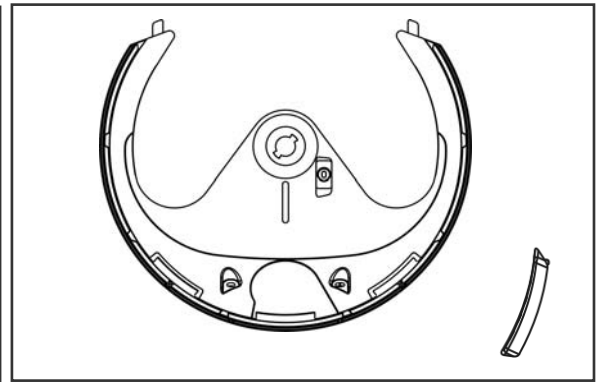
Product
Laundry

Action The lifter bar bearing kit has been modified due to a change made to the lifter bearing assembly.

The lifter bar bearing kit #12002196 was modified by eliminating all but 1 of the "wear bars". In the new kit, the "wear bars" are now molded into the bearing itself. The only "wear bar" included in the new kit attaches to the upper rim of the spinner.



**Old kit
#12002196
parts.**



**New kit
#12002196
parts.**