



Project Name _____

Catalog No. _____ Date _____



The Hubbell Control Solutions NXDCO Dry Contact Output Module allows an NX in-fixture module or NX room controller application to control third party devices through simple dry contact closure. The NXDCO can be connected directly to any NX SmartPORT™ or can be daisy chained with other NX SmartPORT enabled devices. The Dry Contact Form C relay can be programmed to logically follow a wide array of NX control functions such as occupancy sensors, pushbutton stations or schedules.

The NXDCO is the ideal solution for applications requiring control of third party devices such as HVAC, screen motors, curtain motors, or any other device that can be controlled by a simple contact closure.

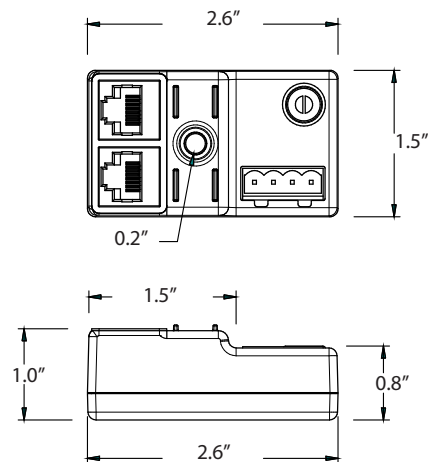
Product Features

- Programmable Dry Contact Form C relay output
- Screw hole for mounting
- Integral DIN rail clip allows multiple units to be mounted in an enclosure
- Removable terminal block for ease of wiring
- Two RJ45 SmartPORT connectors provided
- Five year limited warranty

Compliance and Certification



Dimensional Data

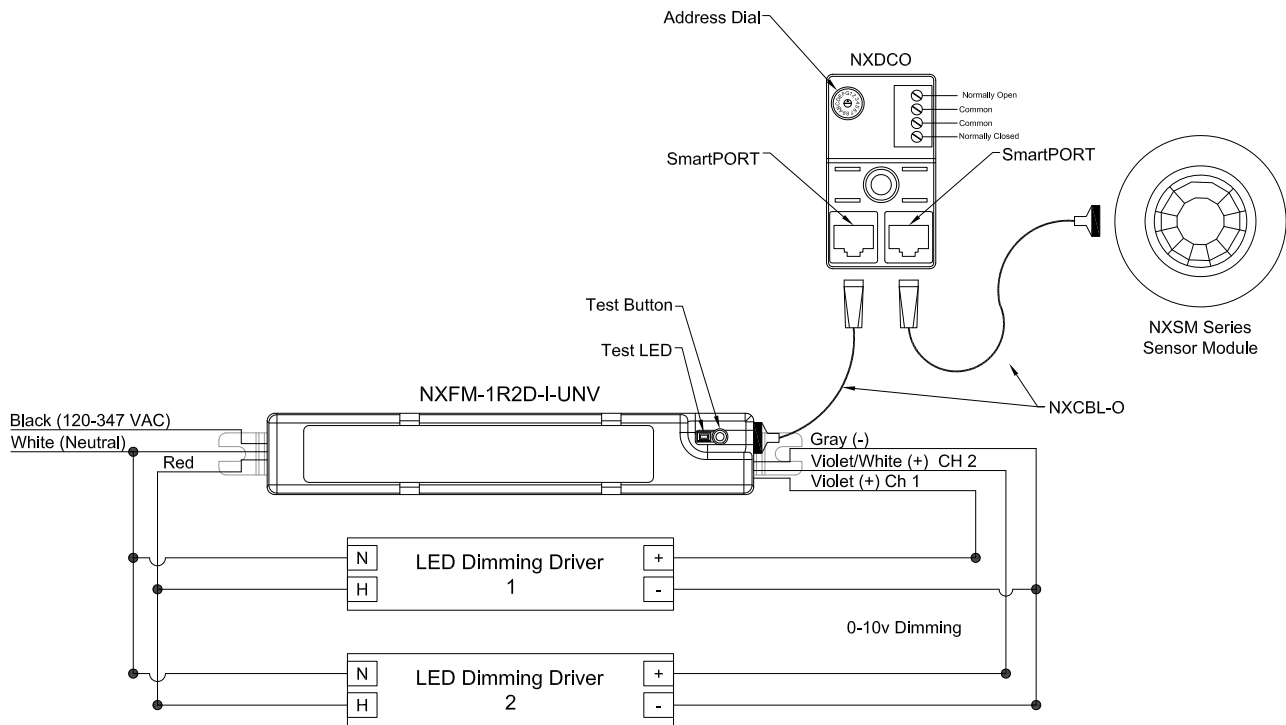


Ordering Information

NXDCO
MODEL

NXDCO NX Dry Contact Output Module

Wiring Information



General Specifications

Relay	Normally Open and Normally Closed contacts Controls up to 500 mA rated @ 12VDC
Ports	2 external RJ45 SmartPORT receptacles Both ports are bussed together
Power Requirements	12VDC, 30 mA supplied by any NX SmartPORT Controller
Operating Environment	Indoor use only Operating temperature: 32° to 104°F (0° to 40°C) Relative humidity (non-condensing): 0% to 95%
Construction	ABS (UL-945VA) flame class rating, UV inhibitors
Dimensions	2.6" [66.04mm]L, 1.5" [38.1 mm]W, 0.95" [24.1 mm]H
Weight	1.2 oz [34.0g]
Color	Blue
Mounting	Secured with screw through center mounting hole
Certification	cULus listed
Warranty	5-year limited