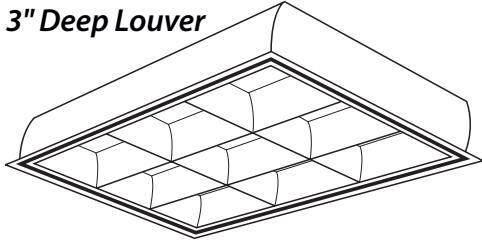


3" Deep Louver



Also available with 3 lamps and 16 cells

FEATURES

- 3" deep cell parabolic louver for optimum control
- IES standard RP-1 glare control models available
- Wide light distribution provides uniform illumination
- Black reveal with full air handling capabilities
- Anodized low iridescent aluminum louver
- Treated with a five stage phosphate bonding process and finished with a baked white enamel
- Mechanical light trap prevents light leaks

PROJECT INFORMATION

Project Name _____

Type _____

Catalog No. _____

Date _____

CONSTRUCTION

Luminaire housing and end caps are die formed code gauge cold rolled steel. Louver is formed from low iridescent anodized aluminum and is secured by die-formed spring steel hinges. Louver hinges from either side. Mechanical light trap prevents light leaks. Latches are finger-tip actuated, positive type and completely concealed in the black reveal.

BALLAST

Energy efficient, thermally protected automatic resetting, Class P, high inductor, sound-rated A, magnetic or electronic ballast. ENEC NEMA Premium compliant.

FINISH

Painted parts are treated with a five stage phosphate bonding process and finished with a temperature baked white enamel. Louvers are low iridescent semi-specular (LD) natural anodized (LD) aluminum as standard.

ELECTRICAL

Standard 120V, thermally protected, automatic resetting, sound-rated A, ENEC NEMA Premium compliant ballast leads extend a minimum of 12" for easy access. NEC/CEC-compliant ballast disconnect standard.

AIR HANDLING

All supply/return and air extract functions are shown on the specification and are available as a specified option. Verify ceiling requirements by installing function vanes as part of complete catalog order. Directional control vanes and/or extract vanes must be specified. All extract vanes are located in end caps for air removal. See on specification sheet.

CEILING COMPATIBILITY

Fixture is available to fit most standard ceiling types. NEC-compliant tee-bar clips supplied with all grid fixtures. See ceiling details on reverse. Contact your Columbia representative for compatibility information for specific ceiling types.

CERTIFICATION

All luminaires are built to UL 1598 standards and bear appropriate UL and cUL or CSA labels. Damp location labeling is standard. Emergency-equipped fixtures labeled UL 924.

ORDERING INFORMATION

EXAMPLE P422-217G-LD33-S-EU

MODEL	NO. LAMPS	CEILING TYPE	NO. CELLS CROSSWISE	NO. CELLS LENGTHWISE	BALLAST	OPTIONS ¹
P4 Recessed Air Handling Parabolic	2	G Grid F Overhang M Modular Fit-in Trim Slot Grid	3 Three 4 Four	3 Three 4 Four	E Electronic T8, Instant Start EP Electronic T5 or T8, Programmed Start EPTT Electronic Twin Tube, Programmed Start (40TT) <small>For a specific ballast vendor, show as option.</small>	GLR Fast Blow Fuse GMF Slow Blow Fuse EL Emergency Battery Pack C388 3-Wire Flex C488 4-Wire Flex MS9 Master/Satellite w/9' Harness NYC NYC Compliant NYCU NYC Compliant, Union Label
LAMP TYPE	LOUVER FINISH	AIR FUNCTIONS	VOLTAGE			
22 2' U-Bent, 15/8" Leg Spacing T8: 31 Watt 17 2' T8: 17 Watt 32U6 U-Bent, 6" Leg Spacing T8: 32 Watt 40TT Twin Tube Compact, 2G11 Base: 40 Watt	LD Low Iridescent Semi-Specular (Std.) LS Low Iridescent Specular MA Matte Anodized Low Iridescent Semi-Specular Aluminum GW Gloss White Enamel	S Static A Air Handling AV Air Handling w/Supply Vanes C Combination Supply/Extract CV Combination Supply Vanes/Extract CD Combination Supply Extract Dampers CVD Combination Supply Vanes Extract Dampers H Heat Extract HD Heat Extract w/Dampers	U 120V-277V 347 347V			

¹ EL or other options may increase fixture depth.



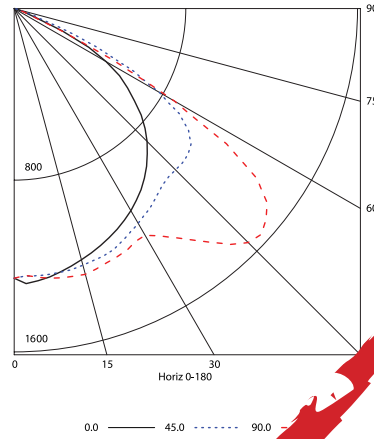
PHOTOMETRIC DATA

Test L11171 Test Date 1/8/03

LUMINAIRE DATA

Luminaire	P422-231U1G-LD33-E-PAF P4 Parabolic 2 x 2-Lamp T8U with White Interior and 3 x 3 Cell Semi-Specular Louver
Ballast	SSB2-120-2/32IS LH
Ballast Factor	0.88
Lamp	FBO31/31K
Lumens per Lamp	2800
Watts	55
Shielding Angle	N/A
Spacing Criterion	0° = 1.28 90° = 1.71

INDOOR CANDELA PLOT



ENERGY DATA

Total Luminaire Efficiency	68.7%
Luminaire Efficacy Rating (LER)	62
IESNA RP-1-1993 Compliance	Noncompliant
IESNA RP-1-2004 Compliance	Noncompliant
Comparative Yearly Lighting Energy Cost per 1000 Lumens	\$3.3 based on 3000 hrs. and \$0.08 per KWH

AVG. LUMINANCE (Candela/ft²)

Avg. Luminance Angle	0°	22.5°	45°	60°	90°
0	4315	4315	4315	4315	4315
30	4312	4479	4817	5165	5513
45	4301	4529	4817	5165	5513
60	4252	4529	4817	5165	5513
75	4126	4529	4817	5165	5513
90	3814	4529	4817	5165	5513
105	3502	4529	4817	5165	5513
120	3190	4529	4817	5165	5513
135	2878	4529	4817	5165	5513
150	2566	4529	4817	5165	5513
165	2254	4529	4817	5165	5513
180	1942	4529	4817	5165	5513

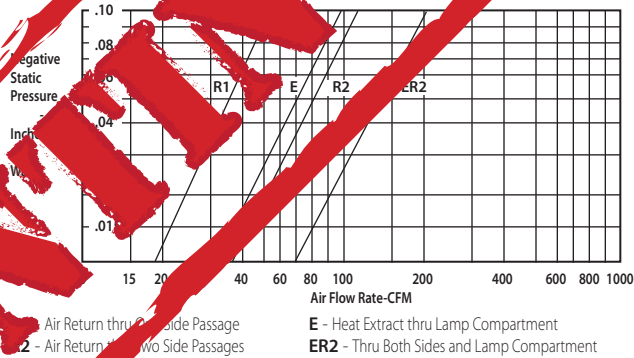
ZONAL LUMENS SUMMARY

Zone	Lumens	% Lamp	% Fixt.
0-30	1020	18.2	26.5
0-40	1737	31.0	45.1
0-60	3466	61.9	90.1
0-90	3849	68.7	100.0
0-180	3849	68.7	100.0

COEFFICIENTS OF UTILIZATION (%)

RCR	80				70				50				0				
	RW	70	50	30	10	70	50	30	10	50	30	10	0	70	50	30	10
1	76	73	71	68	74	72	69	67	69	67	65	60					
2	70	64	60	57	68	63	59	56	61	58	55	51					
3	64	57	52	48	62	56	51	47	54	50	46	43					
4	58	50	45	40	57	49	44	40	48	43	39	37					
5	53	45	39	34	52	44	38	34	43	38	34	32					
6	49	40	34	30	48	39	34	30	38	33	29	28					
7	45	36	30	26	44	36	30	26	35	30	26	24					
8	42	33	27	23	41	32	27	23	31	26	23						
9	39	30	24	21	38	30	24	21	29	24	20	19					
10	37	28	22	19	36	27	22	18	27	22	18	17					

EXTRACT AIR DATA



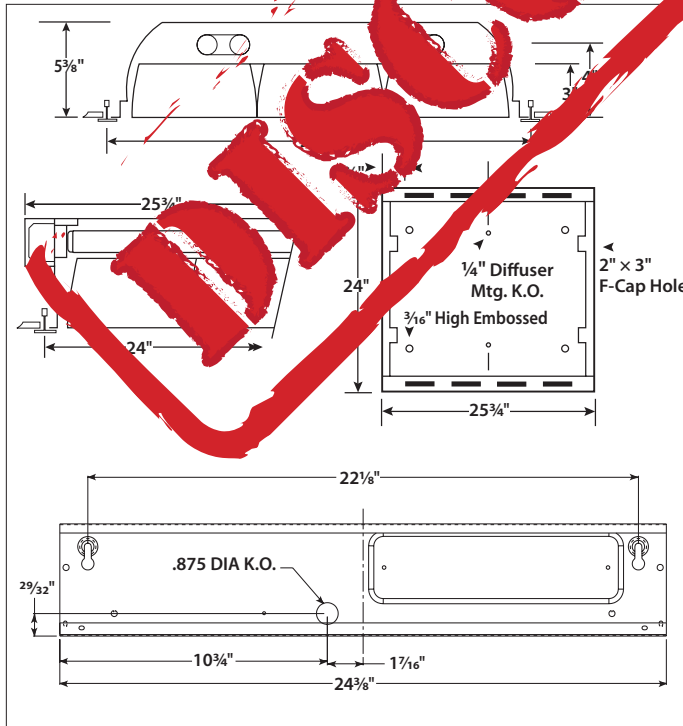
RCR = Room Cavity Ratio

RC = Effective Ceiling Cavity Reflectance RW = Wall Reflectance

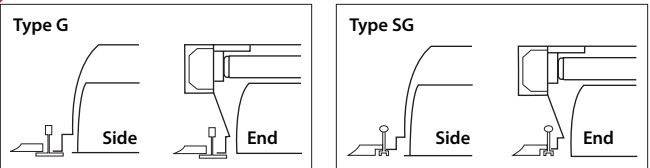
R1 - Air Return thru One Side Passage
R2 - Air Return thru Two Side Passages

E - Heat Extract thru Lamp Compartment
ER2 - Thru Both Sides and Lamp Compartment

DIMENSIONAL DATA

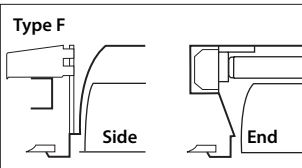


CEILING COMPATIBILITY



Type G: For lay-in installation in exposed grid ceilings. Maximum tee widths of 1" and maximum tee heights of 1 1/2" allowed.

Type SG: For 5/8" slot grid type ceilings. Louver will be level with the ceiling plane. Shoulder heights of tee or exact slot grid must be specified.



Type F: For tile, plaster or plasterboard type ceilings. Overlapping extruded aluminum trim conceals edges of ceiling opening. Wing hanger suspension system included. For row mounting, row information is required.

Type M: For metal pan ceilings "Fit-in" style extruded trim aligns with modular tile joints. Fixture is supported with concealed suspension and includes all adjustable wing hangers.

Flange kit rough in dimensions for single unit only: 24 3/8" x 24 3/8"

NOTE: All dimensions are in inches; dimensions and specifications are subject to change without notice. Please consult factory or check sample for verification.