

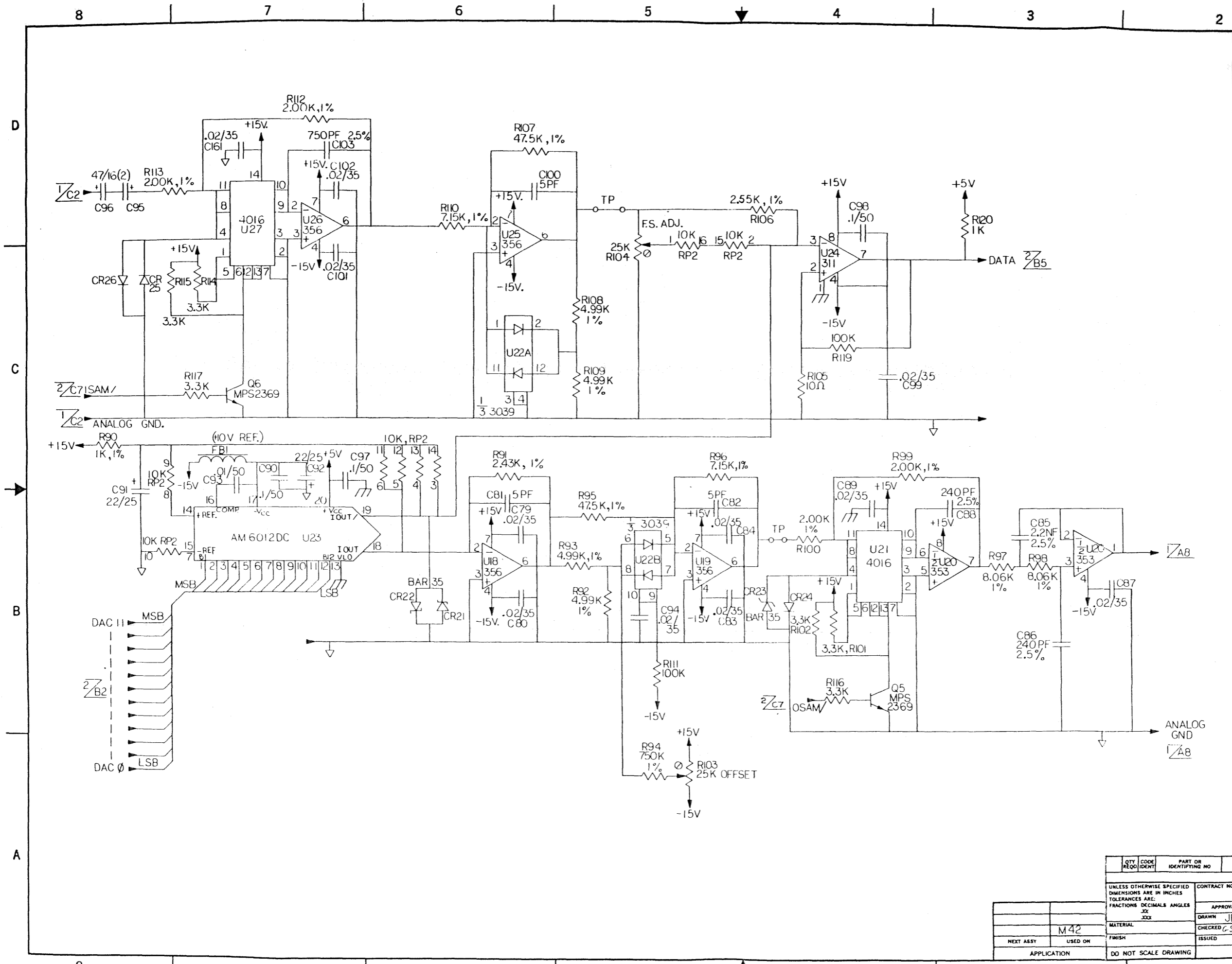
REVISIONS			
REV.	DESCRIPTION	DATE	APPROVED
1	ADDED REFERENCE DESIGNATIONS AND CORRECT SUCH THAT ALL PRODUCTION BOARDS, PARTS LISTS AND SCHEMATICS AGREE	6-21-82 JB	7-27-82 GH
2	CHANGED "X2" TO "2X" ADDED DESTINATION COORDINATES	9-30-82 JB	10-1-82 GH

- NOTES**
1. CAPACITORS ARE IN $\mu\text{F/V}$, UNLESS OTHERWISE INDICATED
 2. ALL DIODES ARE 4148, UNLESS OTHERWISE INDICATED.
 3. ON BOARD CONNECTION: \blacktriangle FROM ; \blacktriangleright TO
 4. \dashv RECEPTACLE CONNECTION
 5. DIGITAL GND ∇ ANALOG GND ∇ CHASSIS GND ∇
 6. ∇ DENOTES SHEET NO. AND INTERSECT ∇ AI COORDINATE.

REVISION STATUS				
SHEET	1	2	3	4
REV. NO	2	3	2	2

QTY	CODE	PART OR IDENTIFYING NO	NOMENCLATURE OR DESCRIPTION	MATERIAL SPECIFICATION
42				

UNLESS OTHERWISE SPECIFIED DIMENSIONS ARE IN INCHES TOLERANCES ARE FRACTIONS DECIMALS ANGLES XX XXX		CONTRACT NO.		PARTS LIST	
APPROVALS		DATE		lexicon	
DRAWN JCR		3-8-82		SCHEMATIC, ANALOG M42	
CHECKED GSH				SIZE FROM NO. DWG. NO. 060-02787-D REV. 2	
ISSUED				SCALE N/A SHEET 1 OF 4	

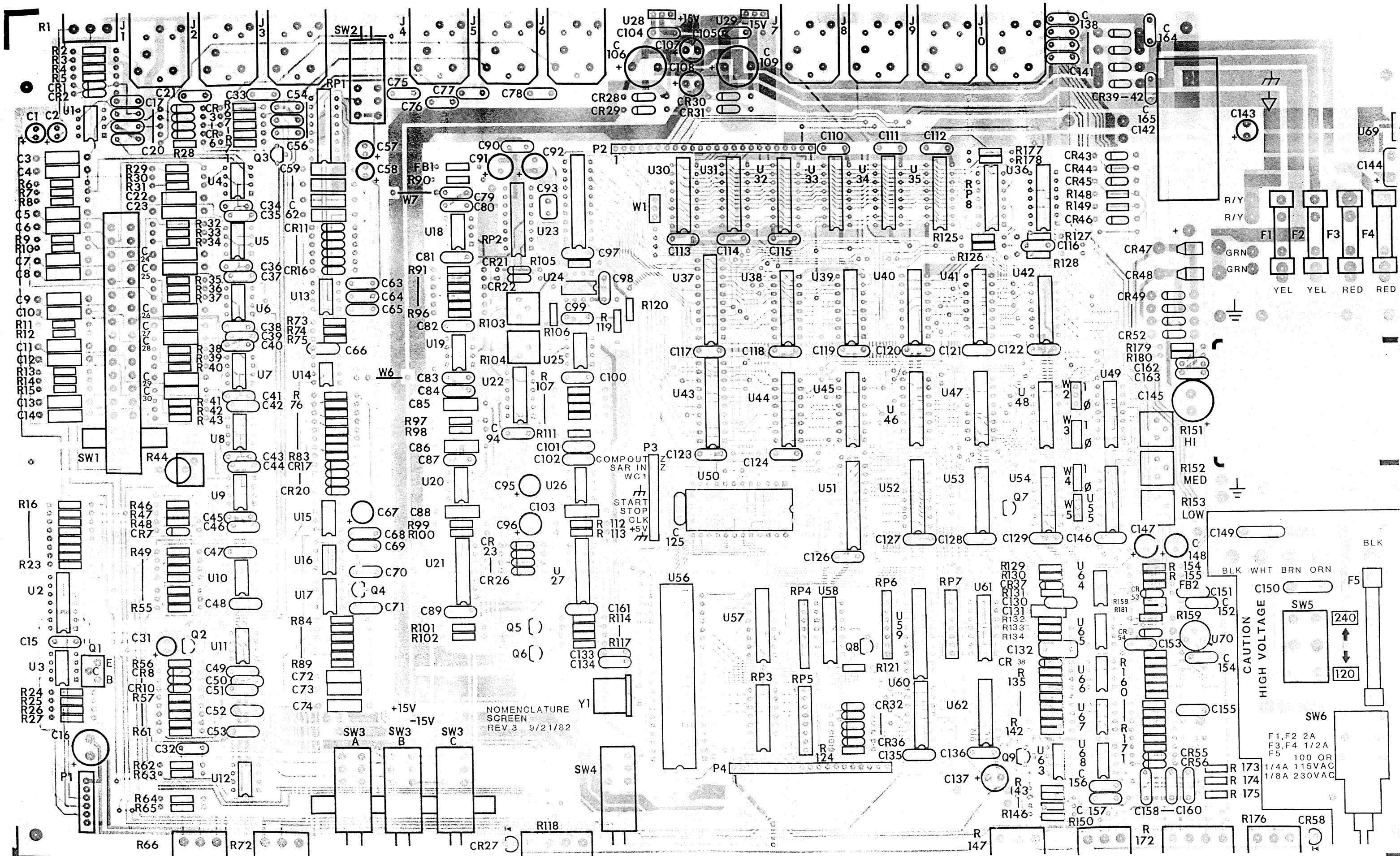


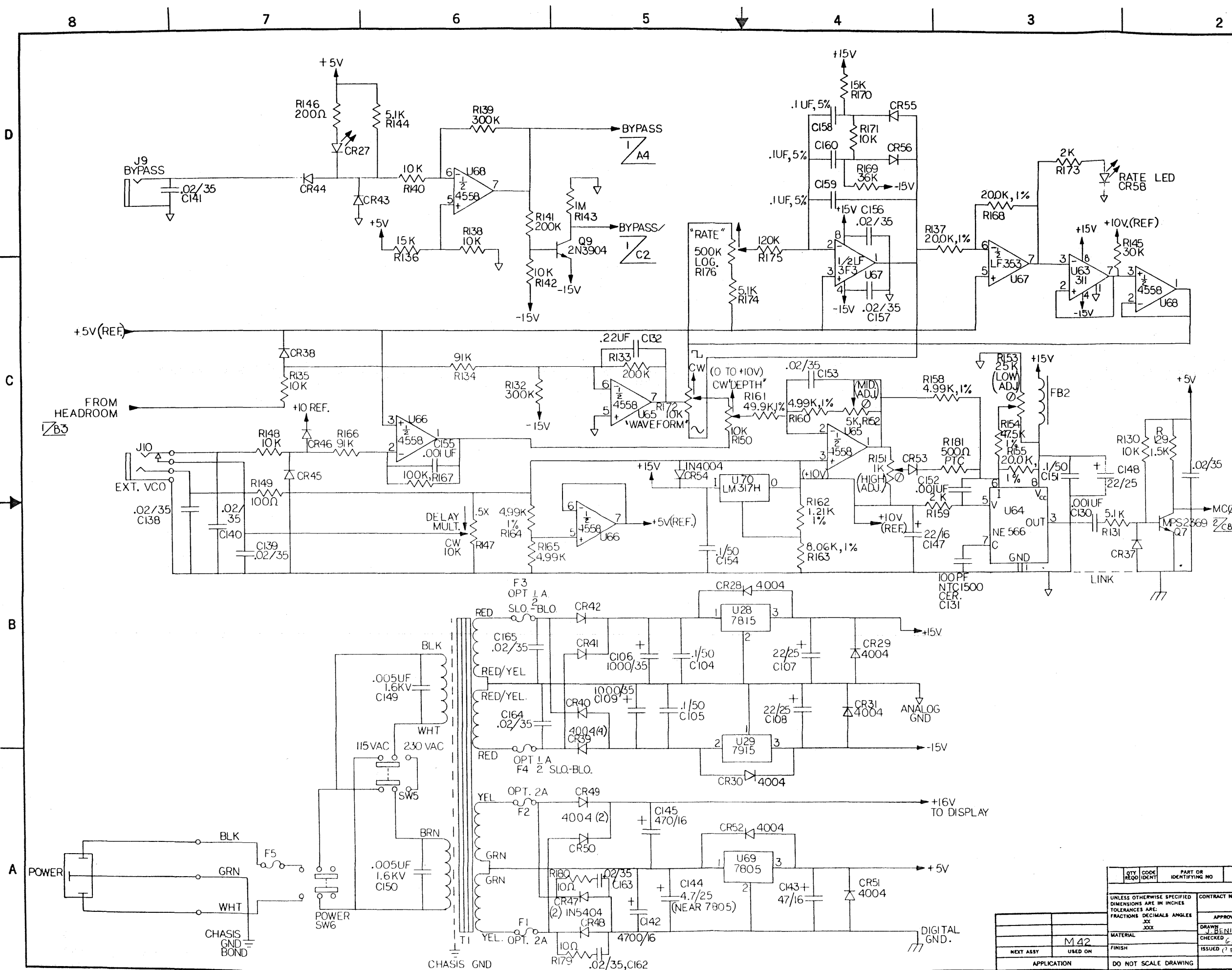
REVISIONS			
REV.	DESCRIPTION	DATE	APPROVED
1	ADDED REFERENCE DESIGNATIONS AND CORRECT SUCH THAT ALL PRODUCTION BOARDS, PARTS LIST AND SCHEMATICS AGREE.	6-21-82 JB	7-17-82 GH C3 8/6/81
2	ADDED DESTINATION COORDINATES AT OSAM	9-30-82 JB	10-1-82 GH C4 11-1-82

- NOTES
1. RESISTORS ARE 5%, 1/4 W UNLESS OTHERWISE INDICATED.
 2. CAPACITOR VALUES IN UF/V UNLESS OTHERWISE INDICATED.
 3. ALL DIODES ARE IN4148 EXCEPT $\overline{\Delta}$ BAR35 SCHOTTKY DIODE.
 4. $\overline{\Delta}$ A1 DENOTES SHEET NO AND INTERSECT COORDINATE.

QTY	CODE	PART OR	NOMENCLATURE	MATERIAL
REQD	IDENT	IDENTIFYING NO	OR DESCRIPTION	SPECIFICATION
PARTS LIST				
UNLESS OTHERWISE SPECIFIED DIMENSIONS ARE IN INCHES TOLERANCES ARE:		CONTRACT NO.		
FRACTIONS DECIMALS ANGLES		APPROVALS		
.XX .XXX		DATE		
MATERIAL		DRAWN JB 5-22-82		
FINISH		CHECKED GSH 8-3-82		
NEXT ASSY		ISSUED		
USED ON		SIZE FSCM NO. 42		
APPLICATION		DWSG NO. 060-02787-D		
DO NOT SCALE DRAWING		SCALE NA		
		SHEET 3 OF 4		

lexicon
 SCHEMATIC CONVERTER,
 42
 060-02787-D
 REV 2

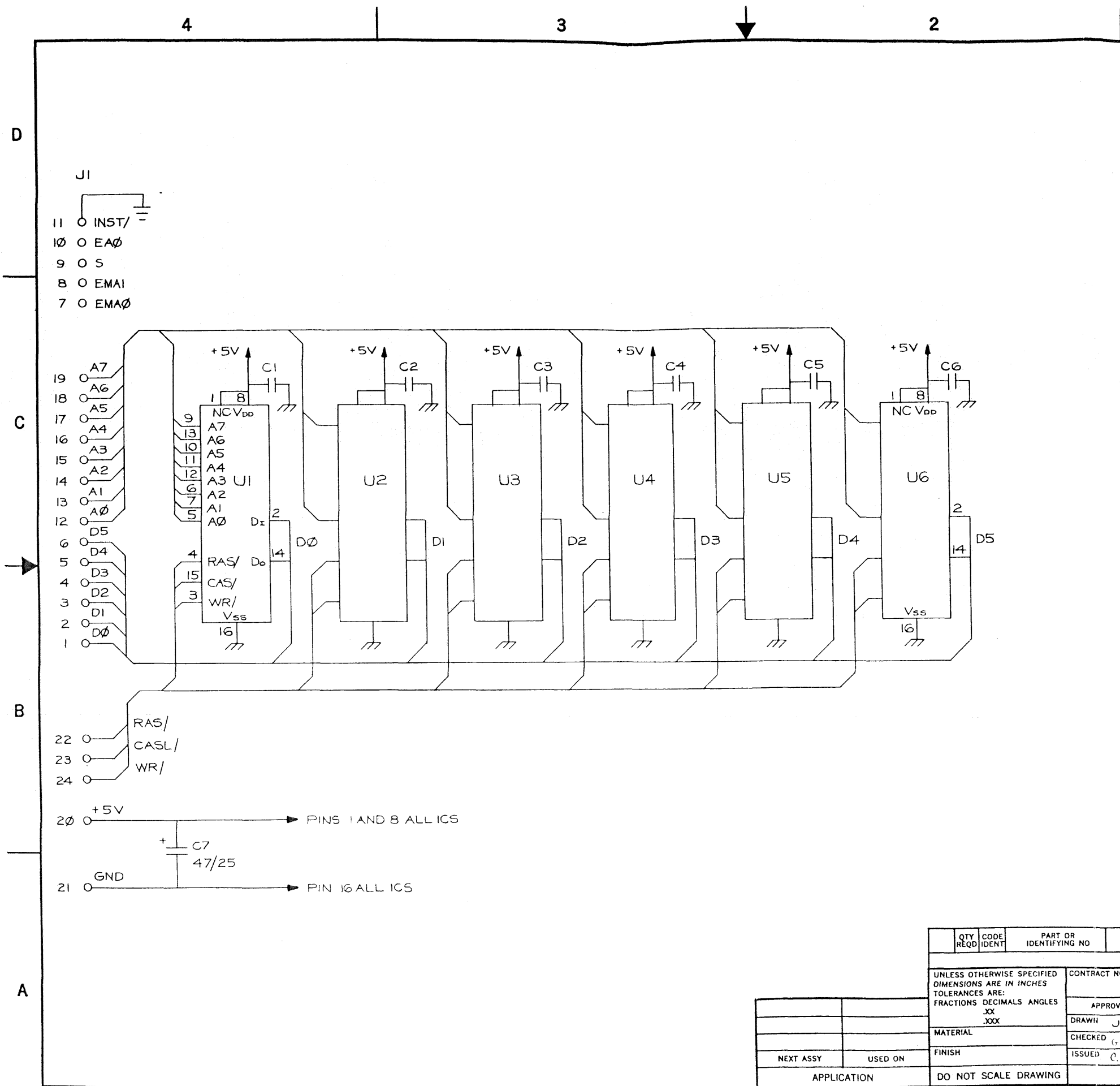




REVISIONS			
REV.	DESCRIPTION	DATE	APPROVED
1	ADDED REFERENCE DESIGNATIONS AND CORRECT SUCH THAT ALL PRODUCTION BOARDS, PARTS LISTS AND SCHEMATICS AGREE.	6-21-82 JB	7-27-82 G-SH CB 9/1/81
2	CHANGED R162 FROM 499K TO 1.21K AND R163 FROM 3.24K TO 8.06K. SWITCHED C158 AND C159	9-30-82 JB	10-1-82 G-H CB 10-5-81

- NOTES
1. RESISTORS ARE 5% 1/4W UNLESS OTHERWISE INDICATED.
 2. CAPACITOR VALUES IN UF/V UNLESS OTHERWISE INDICATED.
 3. POWER SUPPLY DIODES IN4004 UNLESS OTHERWISE INDICATED. SIGNAL DIODES IN4148 UNLESS OTHERWISE INDICATED.
 5. ← PLUG CONNECTION
→ RECEPTACLE CONNECTION
 6. ON BOARD CONNECTION:
TO → FROM
 7. ∇ AI DENOTES SHEET NO AND INTERSECT COORDINATE.
 8. BYPASS CAPACITORS FOR VCO ARE .02/35 : C138-141.

QTY	CODE	PART OR IDENTIFYING NO	NOMENCLATURE OR DESCRIPTION	MATERIAL SPECIFICATION
PARTS LIST				
UNLESS OTHERWISE SPECIFIED DIMENSIONS ARE IN INCHES TOLERANCES ARE: FRACTIONS DECIMALS ANGLES		CONTRACT NO.		
MATERIAL		APPROVALS	DATE	SCHEMATIC, VCO AND POWER SUPPLY, M42
FINISH		CHECKED	ISSUED	
NEXT ASSY USED ON		SCALE		REV. 2
APPLICATION		DO NOT SCALE DRAWING		SHEET 4 OF 4



REVISIONS			
REV.	DESCRIPTION	DATE	APPROVED
1	GIVE PIN DESIGNATIONS FOR J1.	JCR 5-3-82	GH 7-27-82 CB 8/6/82

NOTES

1. ALL ICS 4164 65,536X1 DRAM
2. ALL ICS IDENTICAL
3. CAPACITORS 1-6 .1/50 CERAMIC

D
C
B
A

D
C
B
A

QTY REQD	CODE IDENT	PART OR IDENTIFYING NO	NOMENCLATURE OR DESCRIPTION	MATERIAL SPECIFICATION
PARTS LIST				
UNLESS OTHERWISE SPECIFIED DIMENSIONS ARE IN INCHES TOLERANCES ARE: FRACTIONS DECIMALS ANGLES .XX .XXX .XXX		CONTRACT NO.		
		lexicon		
		APPROVALS	DATE	MEMORY OPTION BOARD SCHEMATIC, M-42
		DRAWN JCR	3-2-82	
		CHECKED GSH	3-12-82	SIZE FSCM NO.
		ISSUED C.R.	5-5-82	DWG. NO. 060-02796
NEXT ASSY	USED ON	DO NOT SCALE DRAWING		REV. 1
APPLICATION		SCALE NA	SHEET 1 OF 1	

4 3 2 1

4 3 2 1