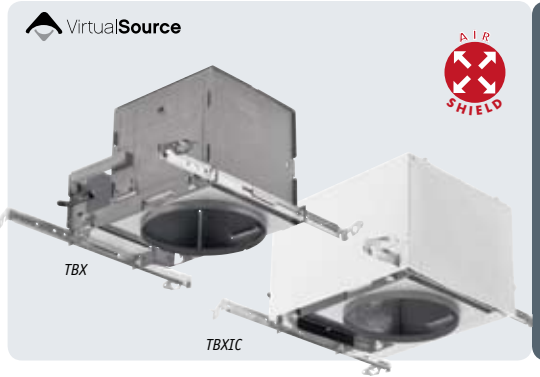


6" IC/Non-IC Rated Triple Tube CFL Universal Downlights

Compact Fluorescent Downlight AirShield, IC Rated or Non-IC Rated 120V-277V, 347V (Canada Only)

FEATURES

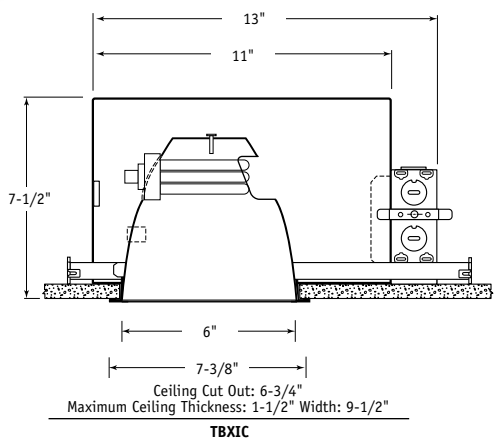
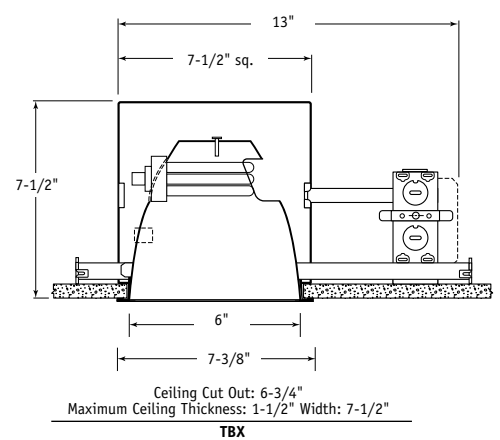
- TBX series is energy efficient and uses a multi-wattage, multi-voltage (120V-277V) electronic ballast to minimize ballast noise and provide maximum energy efficiency
- TBX downlight may be used when insulation is not present or is spaced 3" away
- TBXIC downlight is approved for applications where insulation is present
- Lamp orientation varies with trim
- N.Y.C Approved
- UL listed or UL/CSA listed with CDN option for damp location



ORDERING INFORMATION

EXAMPLE: TBX-TL1-TCA1

TBX	TL1			TCA1
HOUSING	TRIMS	TRIMS	TRIMS	ACCESSORIES
TBX 6", Non-IC rated. 26W and 32W triple tube compact fluorescent housing (housing is multi-voltage 120V-277V) TBX 347V 6", Non-IC rated. 26W and 32W triple tube compact fluorescent housing (347V Canada) TBXIC 6", Non-IC rated. 26W and 32W triple tube compact fluorescent AirShield™ rated housing	OPEN T04S Clear Alzak (S) TBXIC: 26W vertical triple tube CFL TBX: 26W/32W vertical triple tube CFL T08² White cone reflector. 26W/32W vertical triple tube CFL T095S Clear (S) or gold (G) Alzak reflector with Virtual Source® optics. TBXIC: 26W horizontal triple tube CFL TBX: 26W/32W horizontal triple tube CFL T095G T095SMFC American Matte™ reflector with textured reflector surface and Virtual Source® optics TBXIC: 26W horizontal triple tube CFL TBX: 26W/32W horizontal triple tube CFL T095BF Clear Alzak reflector with black baffle (BF) or white baffle (WBF) and Virtual Source® optics. TBXIC: 26W horizontal triple tube CFL TBX: 26W/32W horizontal triple tube CFL T095WBF T078S Clear (S) reflector with black baffle and angled lamp. 26W/32W triple tube CFL (OSRAM and GE only)	WALL WASH TW95S Clear Alzak wall wash reflector with Virtual Source® optics. TBXIC: 26W horizontal triple tube CFL TBX: 26W/32W horizontal triple tube CFL TW43 Black baffle eyelid wall wash. Rotatable. TBXIC: 26W vertical triple tube CFL TBX: 26W/32W vertical triple tube CFL LENSED TL1³ Drop opal Lexan® shower lens. TBX only: 26W/32W vertical triple tube CFL TL2³ Flat opal Lexan® shower lens. TBX only: 26W/32W vertical triple tube CFL TL3³ Clear prismatic Lexan® shower lens. TBX only: 26W/32W vertical triple tube CFL TL33P³ Plastic non-metallic drop opal spa trim with reflector. TBX: 26W/32W horizontal triple tube CFL TBXIC: 26W horizontal triple tube CFL TL40^{1,3} Drop opal impact resistant shower lens with upper reflector 26W vertical triple tube CFL	LENSED TL41^{1,2,3} Drop opal glass diffuser with clear Alzak reflector. 26W horizontal triple tube CFL TL42^{1,2,3} Fresnel glass lens with clear Alzak reflector. 26W horizontal triple tube CFL TL43^{1,2,3} Flat textured opal glass lens with clear Alzak reflector. 26W horizontal triple tube CFL TL87³ Regressed textured opal glass lens with clear Alzak upper reflector. 26W vertical triple tube CFL TL88³ White cone with regressed fresnel glass lens and clear Alzak upper reflector. 26W vertical triple tube CFL TL89³ White cone with drop opal glass diffuser and clear Alzak upper reflector TBX: 26W/32W vertical triple tube CFL TBXIC: 26W vertical triple tube CFL TL90³ White cone with regressed textured opal glass lens and clear Alzak upper reflector. 26W vertical triple tube CFL	MGR Metal "goof" ring. White metal trim ring covers oversized ceiling cutout. Specify outside dimension and trim catalog number. Example: 8-1/2" - TB-15MGR. PKT423 Packet of one (1) SG1 gasket as an option to meet WSEC requirement for AirShield™ applications (TBXIC only) SCA7 Sloped ceiling adaptor for LiteBox® trims. Specify degree of slope and ceiling type. Not recommended for wall wash (TW) trims. Sloped ceiling adaptor and housing must be installed at the same time. TCA1 Thick ceiling adaptor allows for use of LiteBox® trims in ceilings 1-1/2" to 2-1/2" thick. Install prior to housing installation. WSEC Packet of twelve (12) SG1 gaskets to meet WSEC requirements for AirShield™ applications (for TBXIC only)
HOUSING OPTIONS				
CDN Canadian electrical code compliant ballast disconnect CDN 347V⁴ Canadian electrical code compliant ballast disconnect				
NOTES				
¹ Universal trims are interchangeable with select LiteBox® Universal housings ² AirShield rated with TBXIC housing and WSEC gasket ³ Shower trims are wet location listed ⁴ Dimming option not available in 347V.				



Note: T095 trim configuration represented in TBXIC lineart. Configurations differ by trim.