

# Aluminum Electric Projection Screen

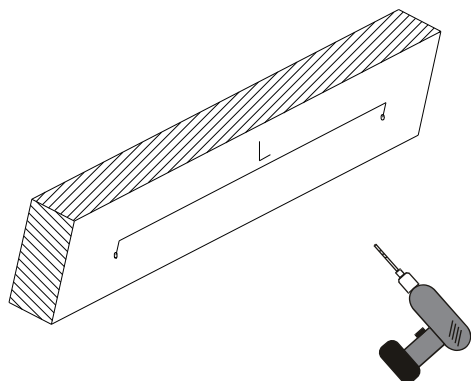
## IMPORTANT!

If screws are included they may not be suitable for the material of your wall, ceiling. Replace the screws with suitable ones if needed.

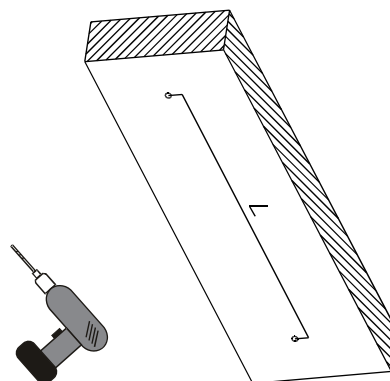
In case you are unsure regarding any aspects of the mounting of this product please Consult a professional.

## Installation

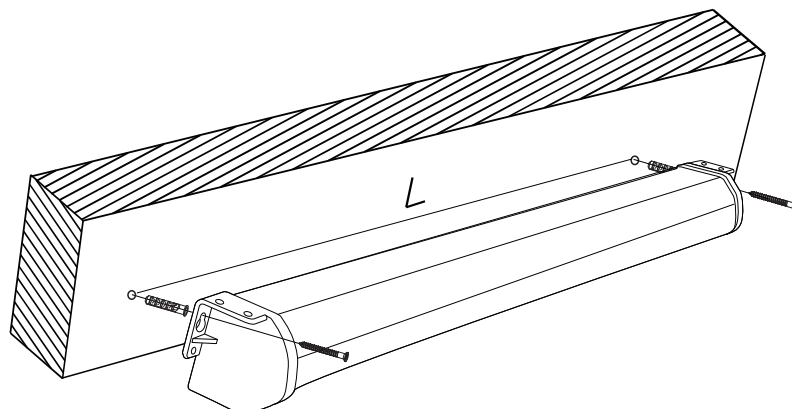
1a



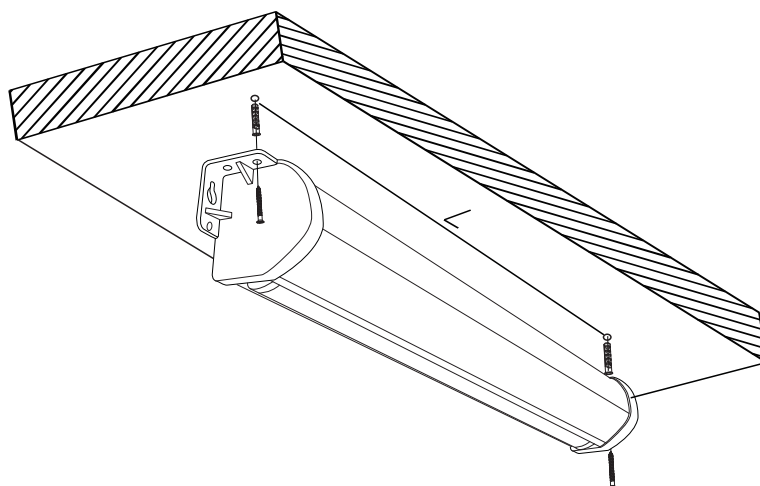
1b



2a

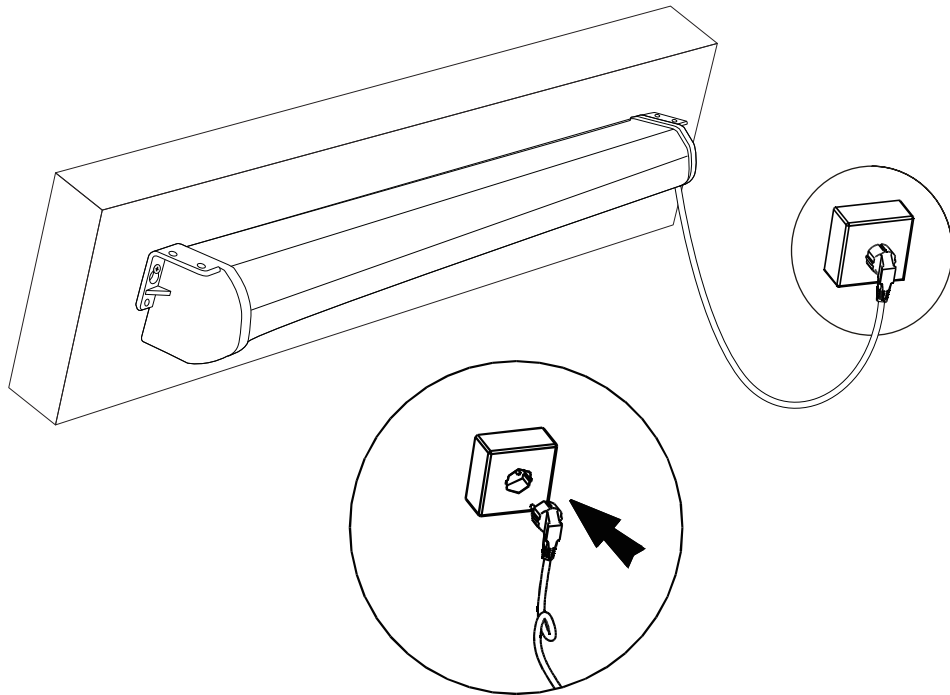


2b

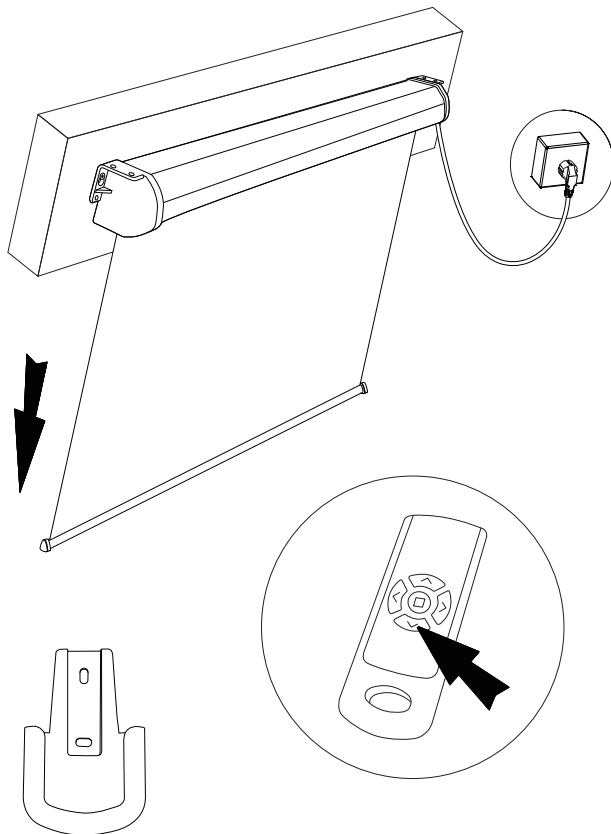


# Operation

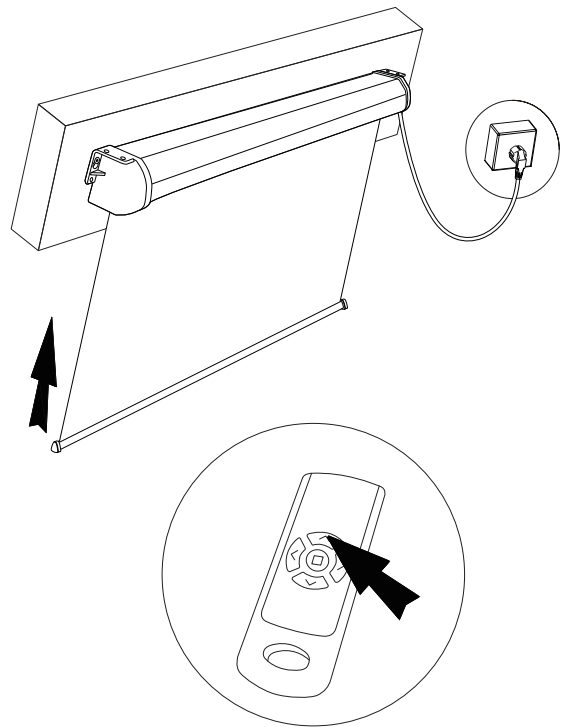
1



2



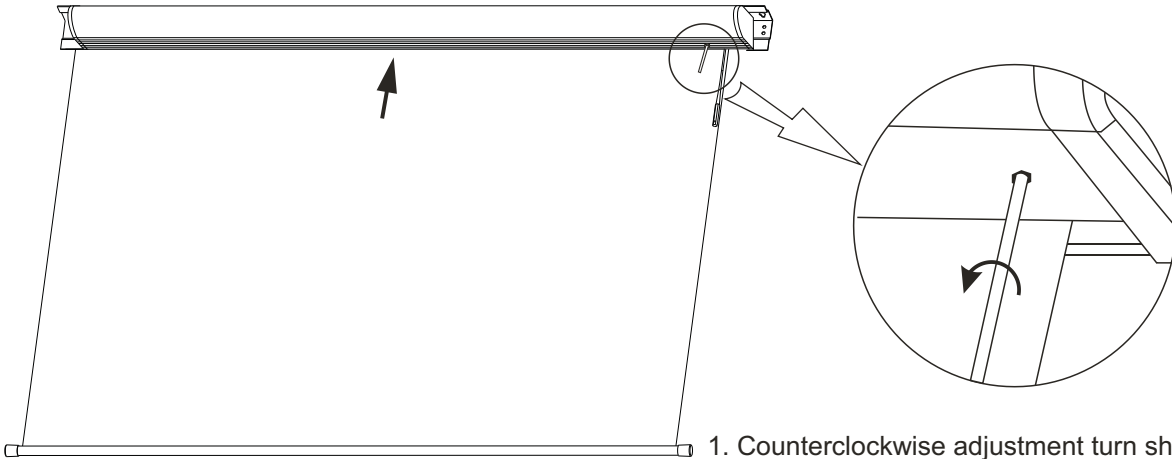
3



**IMPORTANT:**  
Please roll up the projection screen after use

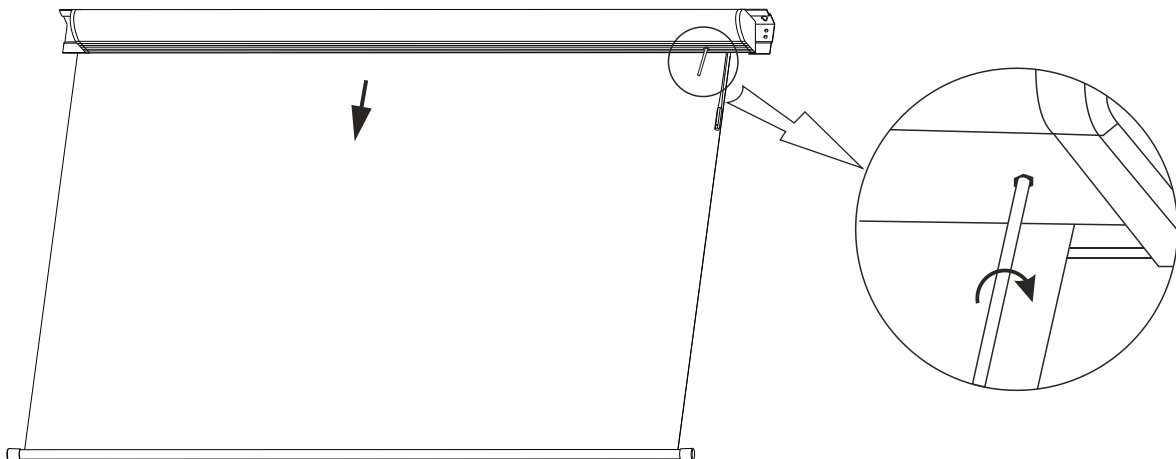
# Drop adjustment

**a**



1. Counterclockwise adjustment turn shortens the top drop by approximately 1cm

**b**



2. Clockwise adjustment turn enlarges the top drop by approximately 1cm

# How to exclude the malfunction of PMA series -Electric Projection Screen

1.Keep pressing the "Up" and "Down" button of the receiver while connecting the power, then you will hear "di-di-di" , which means code matched.

2.Limit mode malfunction (After pulling down the screen, you can't see the dark side or too much white curtain show up. After the screen rolling back, the gap between the lower lever and the housing is too much, normal situation is 1CM, or the screen keep rolling) You can reset the device according to the following steps:

① Set the upper black side position: Use 6MM Allen wrench insert the motor adjustment hole which in front of the Screen's right side, continue rotating counter-clockwise until the curtain pull down and the back side can't expose, then rotate clockwise until the black side arrive at the desired position.

② Set the lower lever position : Use 6MM Allen wrench insert the motor adjustment hole which behind the Screen's right side, continue rotating counter-clockwise until the curtain roll up when the distance from lever to the housing is 6CM, and then rotate clockwise until the distance is 1CM.