

The Water Heater

**Contractor's
Reference**

PARTS

Guide 2006

Preferred Parts

The premium line approved for replacement in

- ***Rheem® and Ruud® residential***
- ***Rheem®-Ruud® commercial***
 - ***Richmond® residential***
 - ***PerfectFit™ commercial***
 - ***GE and Hotpoint water heaters***

plus

Universal Parts

The value line for all your replacement parts needs



NATIONAL PARTS SERVICE CENTER



LISTINGS | DIAGRAMS | REFERENCE GUIDE | DISPLAYS | & MORE!

Rheem Advantages

It is the goal of Rheem Parts to set the standard for the plumbing industry we serve, and to be the organization against which others are measured. We are market driven, and will continue to explore products and services that offer our customers a competitive advantage in the marketplace.

Technology - Rheem has significant research and development capability which allows us to offer the latest technology and product reliability to our customers.

Patented Products - Rheem has a number of patented products that allow us to offer the highest quality replacement parts.

Customer Service - Rheem has an industry leading customer service team that can provide fast and convenient answers to our customer's questions.

Brand Equity - The Rheem and Ruud names are synonymous with quality and customer service and allows Rheem Parts and our partners to capitalize on this brand recognition with professional plumbers.

Business Partner - Rheem is a proven business partner to our customers.

Sales Professionals - Rheem Water Heating has an exceptional network of sales professionals to help our customers sell replacement parts.

Merchandising Opportunities - Rheem Parts has taken the opportunity to complement our factory authorized Preferred Parts with new Universal Parts and differentiate these by branding each with unique packaging and selling messages.

NATIONAL PARTS SERVICE CENTER



The Water Heater **PARTS** Guide 2006

A comprehensive catalog of approved replacement parts for Rheem® and Ruud®, Richmond®, PerfectFit™, and all GE and Hotpoint water heaters.

General Terms and Conditions

FREIGHT ALLOWANCE

F.O.B. Plant, Montgomery, Alabama. Full freight allowed on ground shipping, within Continental United States on Preferred Parts orders of \$500.00 or more.

TAXES

Prices are subject to the addition of any tax imposed by any present or future Federal, State, County or Municipal law on the sale of such material, unless we have a tax exemption certificate on file.

ACCEPTANCE OF ORDERS

All orders are subject to final approval on the terms and conditions contained in our standard customer acknowledgment form.

MATERIALS RETURN

Saleable, current component parts in a new or unused condition must have prior authorization by the Parts Packaging Supervisor before being returned. All new and unused parts returned without prior authorization will be sent back to the sender. Acceptance of such returns will be subject to our inspection and a 25% restocking charge. Parts being returned in accordance with warranty claim provisions do not require prior authorization, but will be subject to our inspection.

Table of Contents

Preferred Parts for Residential Water Heaters

Elements	2-3
Preferred Parts Plumber's Pack	4
Thermostats	5
Replacement Parts	6-13

Preferred Parts for Commercial Water Heaters

Elements	14
Replacement Parts	15-24

Universal Parts for Residential Water Heaters

Elements	25-26
Universal Plumber's Pack	27
Replacement Parts	28-30

Universal Parts for Residential and Commercial Tankless Gas Water Heaters31-34

Parts Diagrams with Parts Lists

Residential Water Heaters	35-55
Commercial Water Heaters	56-65

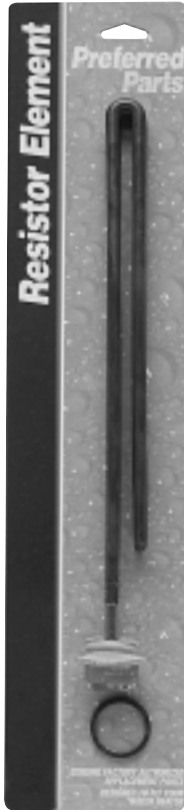
Parts Reference Guide

Residential Water Heaters	66-71
Commercial Water Heaters	72-75

Display and Planograms76-79

Parts Warranty Claim Form80

To place your order call 1-800-621-5622; fax 1-800-535-9538



Resistored Stainless Steel Heating Elements

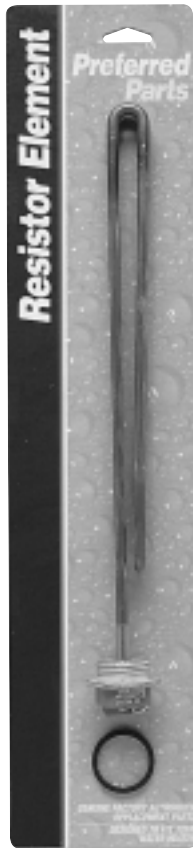
Preferred Parts resistored stainless steel elements feature a low watt density design with an outer sheath of Incoloy® 800 to resist failure from "dry firing". Built in resistor helps prolong anode life for greater tank protection and longer working life.

SCREW-IN ELEMENTS

- **480V/2000W**, 9-1/2", LWD
SP10870GL (Single)
AP10870GL-3 (Bulk*: 50)
- **480V/3000W**, 12-5/8", LWD
SP10870JL (Single)
AP10870JL-3 (Bulk*: 50)
- **480V/4000W**, 16-1/4", LWD
SP10870LL (Single)
AP10870LL-3 (Bulk*: 50)
- **480V/4500W**, 17-1/2", LWD
SP10870ML (Single)
AP10870ML-3 (Bulk*: 50)
- **480V/5000W**, 19-1/8", LWD
SP10870NL (Single)
AP10870NL-3 (Bulk*: 50)
- **480V/6000W**, 19-1/8", LWD
SP10870QL (Single)
AP10870QL-3 (Bulk*: 50)
- **277V/2000W**, 9-1/2", LWD
SP10871GL (Single)
AP10871GL-3 (Bulk*: 50)
- **277V/3000W**, 12-3/8", LWD
SP10871JL (Single)
AP10871JL-3 (Bulk*: 50)
- **277V/4000W**, 16-1/4", LWD
SP10871LL (Single)
AP10871LL-3 (Bulk*: 50)
- **277V/4500W**, LWD
SP10871ML (Single)
AP10871ML-3 (Bulk*: 50)
- **277V/5000W**, 19-1/8", LWD
SP10871NL (Single)
AP10871NL-3 (Bulk*: 50)
- **277V/6000W**, 19-1/8", LWD
SP10871QL (Single)
AP10871-QL-3 (Bulk*: 50)
- **240V/2000W**, 9-1/2", LWD
SP10869GL (Single)
AP10869GL-5 (Bulk*: 50)
- **240V/2500W**, 9-15/16", LWD
SP10869HL (Single)
AP10869HL-5 (Bulk*: 50)
- **240V/3000W**, 12-3/8", LWD
SP10869JL (Single)
AP10869JL-5 (Bulk*: 50)
- **240V/3500W**, 13-1/2", LWD
SP10869KL (Single)
AP10869KL-5 (Bulk*: 50)
- **240V/4000W**, 16-1/4", LWD
SP10869LL (Single)
AP10869LL-5 (Bulk*: 50)
- **240V/4500W**, 15-1/2", LWD
SP10869ML (Single)
AP10869ML-5 (Bulk*: 50)
- **240V/4500W**, 13-1/2", MWD
SP10869MM (Single)
AP10869MM-5 (Bulk*: 50)
- **240V/5000W**, 19-1/8", LWD
SP10869NL (Single)
AP10869NL-5 (Bulk*: 50)
- **240V/5500W**, 13-1/2", HWD
SP10869PH (Single)
AP10869PH-5 (Bulk*: 50)
- **240V/6000W**, 19-1/8", LWD
SP10869QL (Single)
AP10869QL-5 (Bulk*: 50)
- **208V/2000W**, 9-1/2", LWD
SP10867GL (Single)
AP10867GL-3 (Bulk*: 50)
- **208V/3000W**, 12-5/8", LWD
SP10867JL (Single)
AP10867JL-3 (Bulk*: 50)
- **208V/4000W**, 16-1/4", LWD
SP10867LL (Single)
AP10867LL-3 (Bulk*: 50)
- **208V/4500W**, 17-1/2", LWD
SP10867ML (Single)
AP10867ML-3 (Bulk*: 50)
- **208V/5000W**, 19-1/8", LWD
SP10867NL (Single)
AP10867NL-3 (Bulk*: 50)
- **208V/6000W**, 19-1/8", LWD
SP10867QL (Single)
AP10867QL-3 (Bulk*: 50)
- **120V/1440W**, 7-11/16", HWD
SP10868LH (Single)
AP10868LH-5 (Bulk*: 50)
- **120V/1700W**, 13-1/2", LWD
SP10868KL (Single)
AP10868KL-5 (Bulk*: 50)
- **120V/2000W**, 9-1/2", LWD
SP10868GL (Single)
AP10868GL-5 (Bulk*: 50)

* Elements may be ordered in bulk. Box consists of 50 elements and 50 gaskets of the same part number.

HWD = High Watt Density
MWD = Medium Watt Density
LWD = Low Watt Density



Resistored Copper Heating Elements

Preferred Parts energy efficient resistor copper heating elements help fight lime build up and the resistor feature helps prolong the tank life of the water heater.

SCREW-IN ELEMENTS

- **240V/1500W**, 10-5/8", LWD
SP10552FL (Single)
AP10552FL-3 (Bulk*: 50)
- **240V/2000W**, 7-11/16", HWD
SP10552GH (Single)
AP10552GH-3 (Bulk*: 50)
- **240V/2000W**, 13-5/8", LWD
SP10552GL (Single)
AP10552GL-3 (Bulk*: 50)
- **240V/2500W**, 9-7/16", HWD
SP10552HH (Single)
AP10552HH-3 (Bulk*: 50)
- **240V/3000W**, 10-5/8", HWD
SP10552JH (Single)
AP10552JH-3 (Bulk*: 50)
- **240V/3000W**, 11-11/16", LWD
SP10552JL (Single)
AP10552JL-3 (Bulk*: 50)
- **240V/3500W**, 13-3/8", LWD
SP10552KL (Single)
AP10552KL-3 (Bulk*: 50)
- **240V/4000W**, 13-3/8", LWD
SP10552LL (Single)
AP10552LL-3 (Bulk*: 50)
- **240V/4500W**, 13-5/8", HWD
SP10552MH (Single)
AP10552MH-3 (Bulk*: 50)
- **240V/4500W**, 13-3/4", LWD
SP10552ML (Single)
AP10552ML-3 (Bulk*: 50)
- **240V/5000W**, 13-3/4", LWD
SP10552NL (Single)
AP10552NL-3 (Bulk*: 50)
- **240V/5500W**, 13-1/2", HWD
SP10552PH (Single)
AP10552PH-3 (Bulk*: 50)
- **240V/5500W**
SP10552PL (Single)
AP10552PL-3 (Bulk*: 50)
- **240V/6000W**, 11-3/4", HWD
SP10552QH (Single)
AP10552QH-3 (Bulk*: 50)
- **240V/6000W**
SP10552QL (Single)
AP10552QL-3 (Bulk*: 50)
- **208V/2000W**, 7-11/16", HWD
SP10872GH (Single)
AP10872GH-2 (Bulk*: 50)
- **208V/2000W**, 13-5/8", LWD
SP10872GL (Single)
AP10872GL-2 (Bulk*: 50)
- **208V/2500W**, 9-7/16", HWD
SP10872HH (Single)
AP10872HH-2 (Bulk*: 50)

- **208V/3000W**
SP10872JH (Single)
AP10872JH-2 (Bulk*: 50)
- **208V/3000W**, 11-11/16", LWD
SP10872JL (Single)
AP10872JL-2 (Bulk*: 50)
- **208V/4000W**, 13-3/8", LWD
SP10872LL (Single)
AP10872LL-2 (Bulk*: 50)
- **208V/4500W**
SP10872MH (Single)
AP10872MH-2 (Bulk*: 50)
- **208V/4500W**, 13-3/4", LWD
SP10872ML (Single)
AP10872ML-2 (Bulk*: 50)
- **208V/5000W**, 13-3/4", LWD
SP10872NL (Single)
AP10872NL-2 (Bulk*: 50)
- **208V/5500W**, 13-7/16", LWD
SP10872PL (Single)
AP10872PL-2 (Bulk*: 50)
- **208V/6000W**, 11-3/4", HWD
SP10872QH (Single)
AP10872QH-2 (Bulk*: 50)
- **208V/6000W**, 15-1-16", LWD
SP10872QL (Single)
AP10872QL-2V (Bulk*: 50)
- **120V/1500W**, 7-11/16", HWD
SP10874FH (Single)
AP10874FH-2 (Bulk*: 50)
- **120V/1700W**, 11-1-1/2", LWD
SP10874KL (Single)
AP10874KL-2 (Bulk*: 50)
- **120V/2000W**, 7-11/16", HWD
SP10874GH (Single)
AP10874GH-2 (Bulk*: 50)
- **120V/2500W**, 9-7/16", HWD
SP10874HH (Single)
AP10874HH-2 (Bulk*: 50)
- **120V/3000W**, 10-5/8", HWD
SP10874JH (Single)
AP10874JH-2 (Bulk*: 50)

OPEN COIL ELEMENTS

- **120V/1500W**
AP13169
- **120V/2000W**
AP13170
- **240V/1500W**
AP13171
- **240V/2000W**
AP13172

* Elements may be ordered in bulk. Box consists of 50 elements and 50 gaskets of the same part number.

HWD = High Watt Density
MWD = Medium Watt Density
LWD = Low Watt Density

To place your order call 1-800-621-5622; fax 1-800-535-9538

Now available... an all-in-one tune-up kit for the plumbing professional!



Preferred Parts Plumber's Pack

The plumber's pack is an all-inclusive "tune-up" kit for electric water heaters featuring the most popular replacement parts on the market.

- Factory preferred copper heating elements for longer element life
- Patented R-tech Technology helps prolong tank life
- Upper and lower thermostats are included for a complete "tune-up" for the water heater
- Faster Recovery
- Energy efficient resistor heating elements help fight lime build-up and prolong tank life

Plumber's Pack Kit - includes two resistored 4500 watt screw-in copper heating elements, two heating element gaskets, and upper & lower thermostats (all of which are factory preferred replacement quality)

SP20060 (single)



Gas Thermostats:

- Designed to sense the water temperature inside the tank, and control on/off function of the main burner assembly

Gas Thermostats

- **Robertshaw LP Gas Thermostat** - (57-160 degrees) control valve with left hand main burner outlet threads with 1 1/4" shank - single use high limit (200 degrees) - 1/2" inlet & outlet
SP12258B (single)
SP12258N (single)
- **Robertshaw Convertible Natural and LP Gas Thermostat** - (150 degree max) for Manufactured Housing with 1 1/4" shank - single use high limit (195 degree)
SP9051B (single)
- **Robertshaw Natural Gas Thermostat** - (57-160 degrees) control valve with 1 1/4" shank - single use high limit (200 degrees) - 1/2" inlet & outlet
SP8555B (single)
- **Robertshaw Natural Gas Thermostat** - (57-160 degrees) control valve with 2 7/8" shank - single use high limit (200 degrees) - 1/2" inlet & outlet
SP8555P (single)



Electric Thermostats:

- Temperature range of 100° F to 150° F
- Models are available for upper and lower heating elements on double element 240V and single element 120V water heaters

Electric Thermostats*

- **Therm-O-Disc Upper Thermostat** (max 150 degree) & High Limit (170 degree) - Two element non-simultaneous 208, 240, 277, 480 volt
SP11698 (single)
- **Therm-O-Disc Upper Thermostat** (max 150 degree) & High Limit (170 degree) - Two element simultaneous 208, 240, 277, 480 volt
SP11699 (single)
- **Therm-O-Disc Upper Thermostat** (max 150 degree) & High Limit (170 degree) - Single element 120 volt
SP11700 (single)
- **Therm-O-Disc Lower Thermostat** (max 150 degrees) simultaneous and non-simultaneous 208,240,277,480 volt
SP11695 (single)
- **Adapter Kit** - (1) flat gasket, (1) round gasket, (1) element adapter
SP6830 (single)



Preferred Parts™ Electric Thermostat Covers

Electric Thermostat Covers

- **Upper Thermostat Cover**
AP8313-9 (single)
- **Lower Thermostat Cover**
AP8314-9 (single)

* Electric thermostats may be ordered in bulk. Box consists of 50 thermostats of the same part number. Bulk pricing is less than the single price. Please call for pricing.

RESIDENTIAL Preferred Parts®

The premium line of approved replacement parts.



Thermocouple
 This bi-metal device detects pilot flame heat and carries millivolt current to the magnet assembly in the gas control valve which sends gas to the burner assembly to ignite the burner.

Thermocouples

- **15" Thermocouple**
SP6379E (single)
- **17" Thermocouple**
SP6379K (single)
- **21" Thermocouple**
SP6379C (single)
- **24" Thermocouple**
SP6379R (single)
- **30" Thermocouple**
SP6379H (single)



Pilot Burner
 Designed to light the main burner when the thermostat senses the demand for more heat.

Pilot Burner Assemblies

- **Natural Gas Pilot Burner Assembly** - .0115 orifice
SP8980B (single)
- **LP Gas Pilot Burner Assembly** - .008 orifice - colored red for easy LP identification
SP8980C (single)



T & P Relief Valve:
 Safety device that allows water to escape from the tank in the unlikely event that the temperature or pressure becomes excessive. Designed to operate at approx. 150 PSI and 210° F.

Temperature & Pressure Relief Valves

- **Watts 100XL-4;** 3/4" inlet x 3/4" discharge - M150# (150 PSI pressure / 210 degree temperature) up to 100,000 BTU
SP12574 (single)
- **Watts 100XL;** 3/4" inlet x 3/4" discharge (150 PSI pressure / 210 degree temperature) - long shank up to 100,000 BTU
SP8346 (single)
- **T&P Extender;** 3/4" x 2-1/2" Poly Liner
SP11620 (single)



Drain Valve:
 Used to drain hot water from the tank when performing periodic cleaning or replacing a part.

Drain Valves

- **Brass Drain Valve;** 3/4" x 2 1/4" shank
SP6070G (single)
- **Brass Drain Valve;** 3/4" x 3" shank - Commercial Light Duty
SP6070S (single)
- **Standard Melet;** 3/4" NPT x 2 1/4" shank
SP12039 (single)
- **Brass Drain Valve;** 3/4" x 2 1/4" shank – Residential
SP12112G (single)

Gas Connectors

- **12" Stainless Steel Gas Connector MIPXMIP**
AP13140A
- **18" Stainless Steel Gas Connector MIPXMIP**
AP13140B
- **24" Stainless Steel Gas Connector MIPXMIP**
AP13140C

Pro Coat Gas Connectors

- **12" Pro Coat Gas Connector**
AP13318A
- **18" Pro Coat Gas Connector**
AP13318B
- **24" Pro Coat Gas Connector**
AP13318C
- **48" Pro Coat Gas Connector**
AP13318D



Flexible Link Anode Rod:

Metallic rod installed inside the tank to protect against corrosion. The "R-Tech"™ anode rod is made of magnesium and is designed to offer the longest lasting tank protection.



Dip Tube

Non-metallic. Runs from the cold water inlet to deliver cold water to the bottom of the tank as hot water is drawn out.



Basic Installation Kit

Anode Rods

- **R Tech Resistor Magnesium Anode Rod** 44" long x .700 dia
SP11309C (single)
- **Galvo Magnesium** 44" long x .840 dia
SP11345C (single)
- **Magnesium Anode Rod** 44" long x .840 dia
SP11524C (single)
- **Magnesium Anode Rod** 58" long x .840 dia
SP11524Z (single)
- **R Tech Resistor Magnesium Anode Rod** 44" long x .900 dia
SP11526C (single)
- **R Tech Resistor Magnesium flexible link Anode Rod**
52" long - 12" sections
SP8371B (single)
- **Aluminum Anode Rod** 42" long x .625 dia
AP12938 (single)

Dip Tubes*

- **Dip Tube with anti-siphon hole** - 3/4" x 54" long - clear
(North Carolina code) with gasket
SP11251R (single)
- **Dip Tube with anti-siphon hole** - 1" x 26" long with gasket
SP11269C (single)
- **Dip Tube with anti-siphon hole** - 3/4" x 54" long with gasket
SP11248R (single)

* Due to the unique application of the EverKleen Dip Tube, please call for part number and pricing. Have the model number and serial number of the water heater on hand.

Installation Kits

- **Basic Installation Kit**
SP20009
- **Gas Installation Kit**
SP20010
- **Electric Installation Kit**
SP20011

FVIR (Flammable Vapor Ignition Resistant) Parts

- **Pilot Assembly** (21V30-30F)
SP20065 (single)
- **Pilot Assembly** (21V30S-30, 21V30S-30TF, 41V40-40F, 41V40-40HF, 22V30-30F)
SP20069 (single)
- **Pilot Assembly** (41V40-36PF, 41V40-36PHF, 22V30-27PF)
SP20070 (single)
- **Pilot Assembly** (41V40S-40F, 41V50-40F, 41V50-40HF)
SP20071 (single)
- **Pilot Assembly** (41V40S-36PF, 41V40S-36PHF, 41V50-36PF, 41V50-36PHF)
SP20072 (single)
- **Pilot Assembly** (41VR40-40F, 41VR40-40HF, 41VR50-40F, 41VR50-40HF, 22V30S-30F, 42V40S-34F, 42V40S-36F, 42V40S-40F, 42V40S-40PROF, 42V38-40F, 42V38-40PROF, 42V40-40F, 42V40-40HF, 42V40-40PROF, 42V40-40PROHF, 42V50-36F, 42V50-40F, 42V50-40HF, 42V50-40PRO, 42V50-40PROHF)
SP20075 (single)
- **Pilot Assembly** (41VR40-36PF, 41VR50-36PF, 42V40S-36PF, 42V40S-36PROPF, 42V38-34PF, 40V40-34PF, 42V40-34PHF, 42V50-36PF, 42V50-36PHF, 42V50-40PROPF, 42V50-36PROPHF)
SP20076 (single)
- **Gasket Kit** (Fits all)
SP20063 (single)
- **Thermocouple Kit**
SP20064 (single)
- **Heat Traps**
SP20003 (single)
- **Drain Valve**
SP12112G (single)
- **Relief Valve**
SP12575B (single)
- **Gas Valve - Natural Gas** (21DV50, 21V40S, 22V30, 22V50, 25V30, 25V30S, 25V40, 25V40S, 25V50-4, 25V50)
SP8555B
- **Gas Valve - Natural Gas** (22V30FV, 22V30SFV, 42V38FV, 42V40FV, 42V40SFV, 42V50FV)
SP8555R
- **Gas Valve - Natural Gas** (22DV40S, 22DV50)
SP8555U
- **Gas Valve - Natural Gas** (42V50FV)
SP8555W
- **Gas Valve - Natural Gas** (42VR40FV, 42VR50FV)
SP8555T
- **Gas Valve - LP Gas** (21V40S, 22V30, 22V50, 25V30, 25V30S, 25V40, 25V40S, 25V50-4, 25V50)
SP12258B
- **Gas Valve - LP Gas** (22V30FV, 42V38FV, 42V40FV, 42V40SFV, 42V50FV)
SP13160E
- **Gas Valve - LP Gas** (42VR40FV, 42VR50FV)
SP13160D

* All kits include a #20 Torx screwdriver



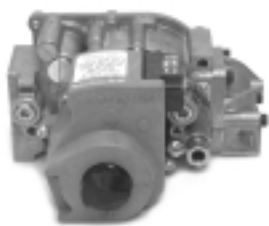
PARTS DIAGRAM
ON PAGE 38

Residential 60-50 Gas Parts

- **Thermostat (Natural)**
SP20085K (single)
- **Thermocouple**
SP6379K (single)
- **Burner Assy Natural (#30 Orifice)**
SP20084A (single)
- **Burner Assy Low Nox (#30 Orifice)**
SP20084D (single)
- **Burner Assy LP High Altitude (#47 Orifice)**
SP20084F (single)
- **Drain Valve Shroud**
AP9167 (single)
- **Drain Valve**
SP12112G (single)
- **Jacket Door**
SP20084K (single)
- **Inner Door**
SP20084H (single)
- **Flue Baffle**
SP20084G (single)
- **Anode Rod**
SP11526S (single)
- **Draft Hood**
SP20084J (single)
- **Dip Tube (30" Polysulfone)**
AP11251G-2 (single)
- **Dip Tube (36" Polysulfone)**
AP11625Q (single)
- **Dip Tube Gasket**
AP6948-3 (single)
- **T&P Relief Valve**
SP12574 (single)



**PARTS DIAGRAM
ON PAGE 36**



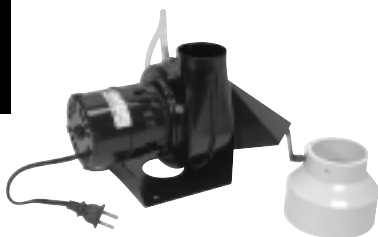
Natural Gas Control Valve



Ignition Control



Pilot Burner and Ignitor Sensor:



Blower Motor Assembly

PowerVent Replacement Parts

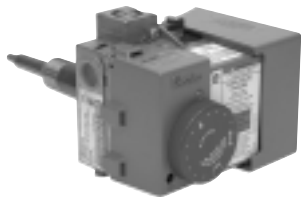
- **Honeywell 24V Natural Gas Control Valve**, PowerVent Series, 1/2" inlet x 3/8" outlet - 40/50/75 gallon Residential and Commercial models
SP11652B (single)
- **Natural Gas Valve (1992-1995)**
SP10886B (single)
- **Honeywell 24V LP Gas Control Valve**, PowerVent Series, 1/2" inlet x 3/8" outlet - 40/50/75 gallon Residential and Commercial models
SP11652C (single)
- **LP Gas Valve (1992-1995)**
SP10886C (single)
- **Honeywell Ignition Control** - S8600M - Continuous Retry - 24V - used with electronic ignition system
SP10763B (single)
- **Honeywell Ignition Cable** - 25 inch - 1/4" disconnect with rubber boot on pilot end
SP8828D (single)
- **Three Try Ignition Control** for Hot Surface Ignition Models
SP10758 (single)
- **Therm-O-Disc Residential Thermostat** (max 140 degrees) and high limit (180 degrees) 40, 50 & 75 gallon residential
SP12390 (single)
- **Therm-O-Disc Residential Thermostat** (max 160 degrees) and high limit (190 degrees) 75 gallon commercial only
SP12391 (single)
- **Honeywell Pilot Burner and Ignitor Sensor** - Electronic Ignition - Natural Gas - 40-50 gallon
SP12049B (single)
- **Honeywell Pilot Burner and Ignitor Sensor** - Electronic Ignition - LP Gas - 40-50 gallon
SP12049C (single)
- **Honeywell Pilot Burner and Ignitor Sensor** - Electronic Ignition - Natural Gas - 75 gallon
SP12049D (single)
- **Honeywell Pilot Burner and Ignitor Sensor** - Electronic Ignition - LP Gas - 75 gallon
SP12049E (single)
- **Hot Surface Ignitor** - 115V, 1800 degree F, with 19" female quick connect leads - Natural or LP
SP10972 (single)
- **Vacuum Switch**
SP11875 (single)
- **Vacuum Switch (Prior to June, 1991)**
SP10887K (single)
- **Transformer**, 120VAC to 24VAC
SP11787 (single)
- **Blower Motor Assembly** 40, 50 gallon standard
AP10983-4 (single)
- **Blower Motor Assembly** 40, 50 gallon - High Altitude only
AP10984-3 (single)
- **Blower Motor Assembly** 75 gallon residential or commercial
SP11608 (single)



PARTS DIAGRAM ON PAGES 40-41



Blower Assembly



Wiper Control and Gas Valve Assembly



PARTS DIAGRAM ON PAGE 43

PowerVent 2 Replacement Parts

- **Blower Assembly** - Integrated vent hood, includes installed vacuum switch (SP12766), power cord, and vent coupling (SP12638). This fits the PowerVent 2 product only.
SP12562 (single)
- **Anode Rod**
SP11309C (single)
- **Flue Baffle with hanger** (has extra resistors)
AM39341 (single)
- **Temperature & Pressure Relief Valve**
SP8346 (single)
- **Dip Tube**
SP11251R (single)
- **Dip Tube Gasket**
AP6948-3 (single)
- **Drain Valve**
SP12112S (single)
- **Drain Valve Shroud**
AP9167 (single)
- **Inner Door**
AM29501 (single)
- **Outer Door**
AM29254-4C (single)
- **Protective Cover** (cover for wiper control)
AP12558 (single)
- **Burner Assembly** (40 Gal Natural Gas - Low NOx)
AM39503RY (single)
- **Burner Assembly** (40 Gal LP Gas)
AM39504RM (single)
- **Burner Assembly** (50 Gal Natural Gas - Low NOx)
AM39503SY (single)
- **Burner Assembly** (50 Gal LP Gas)
AM39504SM (single)
- **Heat Trap Kit**
SP20003 (single)
- **Terminal Vent Assembly**
AM39508 (single)
- **2-inch 45 Degree PVC**
AP12646 (single)
- **Vacuum Tube**
AP12768 (single)
- **Vent Coupling**, 2" rubber coupling with clamps. Connects blower to 2" PVC pipe. This fits the PowerVent 2 product only.
SP12638 (single)
- **Spark Ignitor and Pilot Assembly** - Natural Gas. This fits the PowerVent 2 product only.
SP12560B (single)
- **Spark Ignitor and Pilot Assembly** - LP Gas. This fits the PowerVent 2 product only.
SP12560C (single)
- **Wiper Control and Gas Valve Assembly** - Natural Gas, includes wire cover. This fits the PowerVent 2 product only.
SP12556 (single)
- **Wiper Control and Gas Valve Assembly** - LP Gas, includes wire cover. This fits the PowerVent 2 product only.
SP12557 (single)
- **Vacuum Switch**. This fits the PowerVent 2 product only.
SP12766 (single)
- **On/Off Switch**
AP12767 (single)
- **Blower Motor** (VR units only)
AP13194 (single) (For 41VRP50-55 only)
- **Blower Motor** (22VRP75)
AP13211 (single)

Marathon Replacement Parts

HEATING ELEMENTS

- **Lower Element** (3800W), MR30, MR40 gallon models
SP212700 (single)
- **Lower Element** (3000W), MR50, MSR50, MR75, MR85, and MR105 gallon models
SP212750 (single)
- **Lower Element** (3800W), MR50 gallon model
SP212760 (single)
- **Lower Element** (3800W), MSR50, MR75, MR85, MR105 gallon models
SP212770 (single)
- **Lower Element** (4500W), MR50 gallon model
SP212780 (single)
- **Lower Element** (4500W), MSR50, MR75, MR85, MR105 gallon models
SP212790 (single)
- **Heating Element** (3000W/240V)
SP213480 (single)
- **Heating Element** (2000W/120V)
SP213540 (single)
- **Upper Element** (3800W)
SP610130 (single)
- **Upper Element** (3000W)
SP610150 (single)
- **Upper Element** (4500W)
SP610160 (single)
- **Lower element** (4500W), MR30, MR40 gallon
SP610680 (single)
- **Lower Element** (3000W), MR30, MR40 gallon
SP610690 (single)
- **Heating Element** (5500W)
SP10698PH (single)
- **Heating Element** (4500W/240V)
SP10698MH (single)
- **Heating Element** (5500W/240V)
SP10698RL (single)

REPLACEMENT PARTS

- **Knock Out Bracket**
SP213070 (single)
- **Lower Access Panel Cover**
SP213090 (single)
- **Use and Care Manual**
SP213270 (single)
- **Access Panel Cover Insulation**
SP213340 (single)
- **Thermostat Insulation**
SP213350 (single)
- **Use and Care Manual Supplement**
SP213360 (single)
- **120V Temperature Control Thermostat**
SP213590 (single)
- **240V Temperature Control Thermostat**
SP213600 (single)
- **Use and Care Manual**
SP213620 (single)
- **Use and Care Manual Supplement**
SP213630 (single)
- **Vacuum Relief Assembly**
SP221790 (single)
- **Dip Tube** (MR85, MR105 gallon models)
SP230018 (single)
- **Dip Tube** (MSR50 gallon short model)
SP230019 (single)

- **Dip Tube** (MR15, MR20 gallon models)
SP230021 (single)
- **Dip Tube** (MR30 gallon model)
SP230023 (single)
- **Dip Tube** (MR75 gallon model)
SP230024 (single)
- **Dip Tube** (MR40, MR50 gallon models)
SP230025 (single)
- **Seal Ring** (MR30, MR40, MR50, MSR50, MR75, MR80 gallon models)
SP230090 (single)
- **Seal Ring Hot Side** (MR105 gallon model only)
SP230110 (single)
- **Pipe Wrap Energy Kit**
SP231520 (single)
- **Lock Washer**
SP231710 (single)
- **Cap Screw**
SP240420 (single)
- **Grommet Hot Side** (MR105 gallon model only)
SP240480 (single)
- **Grommet Hot Side** (MR30, MR40, MR50, MSR50, MR75, MR85 gallon models)
SP240490 (single)
- **Lower Protector**
SP310010 (single)
- **Lower Thermostat**
SP310020 (single)
- **Upper Protector**
SP310040 (single)
- **Element Gasket**
SP310060 (single)
- **Upper Temperature Control Thermostat**
SP310230 (single)
- **Screw #10-32 x 3/8**
SP310240 (single)
- **Drain Valve**
SP310270 (single)
- **Screw #10-16 x 5/8**
SP330020 (single)
- **Reducer Bushing 1" x 3/4"** (MR105)
SP330030 (single)
- **T & P Valve**
SP330040 (single)
- **Drain Valve**
SP330090 (single)
- **Screw #8**
SP330180 (single)
- **Reducer 1" x 3/4" Cold Side**
SP330200 (single)
- **Tee 3/4" x 3/4" x 3/4"**
SP330210 (single)
- **Nipple 3/4" x 3"**
SP330230 (single)
- **Junction Box Cover**
SP410910 (single)
- **Upper Access Panel**
SP411800 (single)
- **Lower Access Panel**
SP411810 (single)
- **Access Panel**
SP412050 (single)
- **Element Wrench**
SP610070 (single)



To place your order call 1-800-621-5622; fax 1-800-535-9538



Lime Eater

Accessories

- **Lime Eater**, 1 gallon jug
SP11237B (single)
- **Mobile Home Straps**
AP11154 (single)
- **Earthquake Straps**
SP13345 (single)
- **Heat Traps**
SP20003 (single)
- **Water Heater Stand**, 21" X 21" X 16"
SP13044
- **ProtectionPlus 4-Yr. Limited Warranty Extension Kits*** -
Pkg. of 6 (no single kit orders)
SP20079

* For use on: Professional, Fury, Pacemaker, Heavy Duty, PowerVent and Direct Vent models.
Not for use on: Warrior, Warrior DV, Marathon, Point-of-Use or Table Top models.



ProtectionPlus
Kit

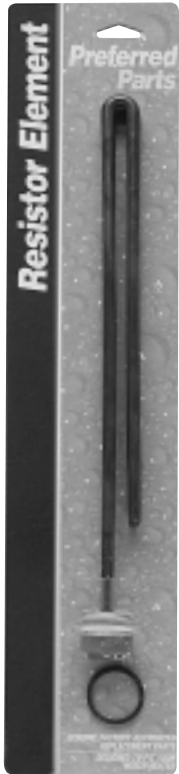


Expansion Tanks

Thermal Expansion Tanks Save Energy and Money

Expanded (heated) water is absorbed by a Thermal Expansion Tank which means...

- **Water heater and fixtures are protected**
 - **Eliminates BTU and water waste, saving money and energy**
 - **No dangerous pressure build up in the system**
 - **Relief valves will not be triggered**
 - **Potential safety hazard reduced**
- **RRT Therm-X-Guard Expansion Tank 2.5 Gal**
RRT-5 (Single)
 - **RRT Therm-X-Guard Expansion Tank 5 Gal**
RRT-12 (Single)
 - **RRT Therm-X-Guard Expansion Tank 10 Gal**
RRT-25 (Single)



Restored Stainless Steel Screw-in Elements feature:

- Low watt density design
- Outer sheath of Incoloy® 800 to resist failure from "dry firing"
- Built in resistor to help prolong tank life for greater tank protection and longer working life

* Elements may be ordered in bulk. Box consists of 50 elements and 50 gaskets of the same part number.

Restored Stainless Steel Heating Elements

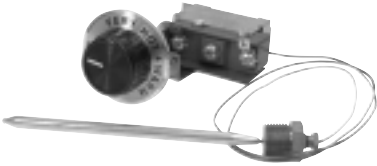
Preferred Parts energy efficient resistor copper heating elements help fight lime build up and the resistor feature helps prolong the tank life of the water heater.

SCREW-IN ELEMENTS

- **480V/2000W**, 9-1/2", LWD
SP10870GL (Single)
AP10870GL-3 (Bulk*: 50)
- **480V/3000W**, 12-5/8", LWD
SP10870JL (Single)
AP10870JL-3 (Bulk*: 50)
- **480V/4000W**, 16-1/4", LWD
SP10870LL (Single)
AP10870LL-3 (Bulk*: 50)
- **480V/4000W (PowerPack)**
AP12879LL (Bulk*: 50)
- **480V/4500W (PowerPack)**
AP12879ML (Bulk*: 50)
- **480V/4500W**, 17-1/2", LWD
SP10870ML (Single)
AP10870ML-3 (Bulk*: 50)
- **480V/5000W**, 19-1/8", LWD
SP10870NL (Single)
AP10870NL-3 (Bulk*: 50)
- **480V/5000W (PowerPack)**
AP12879NH (Bulk*: 50)
- **480V/6000W**, 19-1/8", LWD
SP10870QL (Single)
AP10870QL-3 (Bulk*: 50)
- **480V/4000W (PowerPack)**
AP12879QH (Bulk*: 50)
- **277V/4000W (PowerPack)**
AP12880LL (Bulk*: 50)
- **277V/4500W (PowerPack)**
AP12880ML (Bulk*: 50)
- **277V/5000W (PowerPack)**
AP12880NH (Bulk*: 50)
- **277V/6000W (PowerPack)**
AP12880QH (Bulk*: 50)
- **240V/2000W**, 9-1/2", LWD
SP10869GL (Single)
AP10869GL-5 (Bulk*: 50)
- **240V/2500W**, 9-15/16", LWD
SP10869HL (Single)
AP10869HL-5 (Bulk*: 50)
- **240V/3000W**, 12-3/8", LWD
SP10869JL (Single)
AP10869JL-5 (Bulk*: 50)
- **240V/3500W**, 13-1/2", LWD
SP10869KL (Single)
AP10869KL-5 (Bulk*: 50)
- **240V/4000W**, 16-1/4", LWD
SP10869LL (Single)
AP10869LL-5 (Bulk*: 50)
- **240V/4000W (PowerPack)**
AP12878LL (Bulk*: 50)
- **240V/4500W**, 15-1/2", LWD
SP10869ML (Single)
AP10869ML-5 (Bulk*: 50)
- **240V/4500W**, 13-1/2", MWD
SP10869MM (Single)
AP10869MM-5 (Bulk*: 50)
- **240V/5000W**, 19-1/8", LWD
SP10869NL (Single)
AP10869NL-5 (Bulk*: 50)
- **240V/45000W (PowerPack)**
AP12878NH (Bulk*: 50)
- **240V/5500W**, 13-1/2", HWD
SP10869PH (Single)
AP10869PH-5 (Bulk*: 50)
- **240V/6000W**, 19-1/8", LWD
SP10869QL (Single)
AP10869QL-5 (Bulk*: 50)
- **240V/6000W (PowerPack)**
AP12878QH (Bulk*: 50)
- **208V/2000W**, 9-1/2", LWD
SP10867GL (Single)
AP10867GL-3 (Bulk*: 50)
- **208V/3000W**, 12-5/8", LWD
SP10867JL (Single)
AP10867JL-3 (Bulk*: 50)
- **208V/4000W**, 16-1/4", LWD
SP10867LL (Single)
AP10867LL-3 (Bulk*: 50)
- **208V/4000W (PowerPack)**
AP12877LL (Bulk*: 50)
- **208V/4500W**, 17-1/2", LWD
SP10867ML (Single)
AP10867ML-3 (Bulk*: 50)
- **208V/4500W (PowerPack)**
AP12877ML (Bulk*: 50)
- **208V/5000W**, 19-1/8", LWD
SP10867NL (Single)
AP10867NL-3 (Bulk*: 50)
- **208V/5000W (PowerPack)**
AP12877NH (Bulk*: 50)
- **208V/6000W**, 19-1/8", LWD
SP10867QL (Single)
AP10867QL-3 (Bulk*: 50)
- **208V/6000W (PowerPack)**
AP12877QH (Bulk*: 50)
- **120V/1440W**, 7-11/16", HWD
SP10868LH (Single)
AP10868LH-5 (Bulk*: 50)
- **120V/1700W**, 13-1/2", LWD
SP10868KL (Single)
AP10868KL-5 (Bulk*: 50)
- **120V/2000W**, 9-1/2", LWD
SP10868GL (Single)
AP10868GL-5 (Bulk*: 50)

HWD = High Watt Density
MWD = Medium Watt Density
LWD = Low Watt Density

Commercial Electric Water Heaters



Immersion Thermostat

ELECTRIC THERMOSTATS

- **Therm-O-Disc Upper Thermostat** (max 150 degree) & High Limit (170 degree) - 50 Gallon Surface Mount
SP11234 (single)
- **Therm-O-Disc Upper Thermostat** (max 170 degree) & High Limit (190 degree) - 85 & 120 Gallon Surface Mount
SP11231 (single)
- **Immersion Thermostat** - White Rogers (110 - 190 degrees) 60" capillary tube
SP11805 (single)
- **Immersion High Limit** - White Rogers (200 degrees) manual reset - 60" capillary tube
SP11806 (single)
- **Immersion Thermostat** (80 - 190 degrees) - 24" capillary tube
SP8260 (single)
- **Immersion High Limit** - (205 degrees) manual reset - 15" capillary tube
SP5411 (single)
- **Therm-O-Disc Upper Thermostat** (110-170 degree) & High Limit (190 degree) ELD models only
SP8293 (single)
- **Therm-O-Disc Lower Thermostat** (110-170 degree) ELD models only
SP8295 (single)
- **Hand Hole Gasket Kit**
SP22079 (single)



3-Pole Fuse Block

FUSES AND FUSE BLOCKS

- **Fuse Block** - 3 pole; holds 1 5/8 L x 13/32 dia fuses Class G - 30 amp
SP8311E (single)
- **Fuse Block** - Class G - 35 amp Fuse
SP11112 (single)
- **Fuse** - 30 amp 1 5/8 L x 13/32 dia Class G
SP8264M (single)
- **Fuse** - 35 amp Class G
SP8264K (single)

TEMPERATURE AND PRESSURE RELIEF VALVES

- **Watts 100XL-4**; 3/4" inlet x 3/4" discharge - M150# (150 PSI pressure/ 210 degree temperature) 6-27 KW (100,000BTU)
SP12574 (single)
- **Watts 40XL-5**; 3/4" inlet x 3/4" discharge - M150# (150 PSI pressure/ 210 degree temperature) 30-54 KW (200,000 BTU)
SP9013D (single)



Fuses

CONTACTORS AND TRANSFORMERS

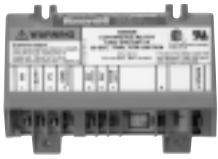
- **Contactor** - 3 pole; 120V; 35 amp; I-F-G Class G
SP12841 (single)
- **Transformer with Jumper**
SP10006 (single)
- **Copper Conductor**
AM25285 (single)

COMMERCIAL Preferred Parts®

The premium line of approved replacement parts.

The premium line of approved replacement parts.

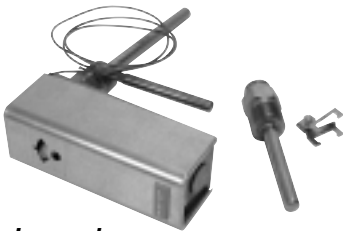
Commercial Heavy Duty Gas Water Heaters



Honeywell Ignition Control



Pilot Burner and Ignitor Sensor



Immersion Thermostat & High Limit



Watts Temperature & Pressure Relief Valve

GAS VALVES

- Honeywell 1/2 Inlet x 3/4 Outlet Gas Valve - Natural Gas - 24V
SP10963B (single)
- Honeywell 1/2 Inlet x 3/4 Outlet Gas Valve - LP Gas - 24V
SP10963C (single)
- Honeywell 3/4 Inlet x 3/4 Outlet Gas Valve - Natural Gas - 24V
SP10963D (single)
- Honeywell 3/4 Inlet x 3/4 Outlet Gas Valve - LP Gas - 24V
SP10963E (single)
- Robertshaw High Capacity Natural Gas Valve 1" Inlet x 1" Outlet Slow Opening Valve
SP8099N (single)
- Robertshaw High Capacity LP Gas Valve 1" Inlet x 1" Outlet - Slow Opening Valve
SP8099P (single)

IGNITION CONTROL MODULE & CABLE

- Honeywell Ignition Control S8600M - Continuous Retry - 24V - used with electronic ignition system
SP10763B (single)
- Honeywell Ignition Cable - 25 inch - 1/4" disconnect with rubber boot on pilot end
SP8828D (single)

PILOT SENSOR

- Honeywell Pilot Burner and Ignitor Sensor - Natural Gas - Electronic Ignition
SP10764B (single)
- Honeywell Pilot Burner and Ignitor Sensor - LP Gas - Electronic Ignition
SP10764C (single)

TRANSFORMER

- Bassler - 120 VAC to 240 VAC
SP10550B (single)

LEG EXTENSIONS REQUIRED FOR N.S.F. APPROVAL

- Leg Extension Kit for N.S.F. Approval for Models: G50-98, G67-114, G82-156, G37-160, G76-180, G76-200, G91-200, G100-200, G72-250(A), G100-250(A), G100-270(A), G72-300(A), G91-300(A), G65-360(A), G65-400(A), G85-400(A), G77-500(A)
AM35450 (single)

THERMOSTATS AND HIGH LIMITS

- Honeywell Immersion Thermostat - (100-180 degrees) & High Limit - single immersion well - 1 13/16" shank x 3/4" NPT
SP11799 (single)
- Honeywell Immersion Thermostat - (100-180 degrees) & High Limit (200 degrees) - dual immersion well with 39 1/4" capillary - 1 13/16" shank x 3/4" NPT
SP11798B (single)
- Honeywell Immersion Thermostat - (100-180 degrees) & High Limit (200 degrees) - dual immersion well with 42" capillary - 1 13/16" shank x 3/4" NPT
SP11798D (single)
- White-Rogers Manual Re-Set Immersion Thermostat (100-180 degrees) & High Limit dual immersion well with 46" capillary - 3/4" NPT
AP12015-1 (single)

DAMPER ASSEMBLY

- Due to the unique application of damper assemblies, please call for part numbers and pricing. Have the model number and serial number of the water heater on hand.

TEMPERATURE AND PRESSURE RELIEF VALVES

- Watts 100XL-4; 3/4" inlet x 3/4" discharge - M150# (150 PSI pressure/ 210 degree temperature) up to 100,000 BTU
SP9013E (single)
- Watts 40XL-5; 3/4" inlet x 3/4" discharge - M150# (150 PSI pressure/ 210 degree temperature) up to 200,000 BTU
SP9013D (single)
- Watts L40XL-6; 1" inlet x 1" discharge (150 PSI pressure/ 210 degree temperature) up to 500,000 BTU
SP9012B (single)

DIAGNOSTIC SYSTEM

- System Sentinel
AM38875 (single)

To place your order call 1-800-621-5622; fax 1-800-535-9538

Commercial Low NOx Water Heaters

HONEYWELL GAS VALVES

- GN37-200, GN65-360, GN72-250, GN75-125, GN76-200, GN82-156, GN91-200, GN100-200, GN100-250, GN100-270
SP12541B (single)
- GN100-400 SP12543 (single)

BURNER ASSEMBLIES

(Includes gas valve and blower assembly)

- GN37-200 AM39755 (single)
- GN65-360 AM39768 (single)
- GN72-250 AM40021 (single)
- GN75-125 AM39731 (single)
- GN76-200 AM39741 (single)
- GN82-156 AM39760 (single)
- GN91-200 AM39189 (single)
- GN100-200 AM39732 (single)
- GN100-250 AM39737 (single)
- GN100-270 AM39738 (single)
- GN100-400 AM40016 (single)

BURNER/MANIFOLD ASSEMBLIES

(Without gas valve and blower assembly)

- GN37-200 AM39188 (single)
- GN65-360 AM39767 (single)
- GN72-250 AM40020 (single)
- GN75-125 AM39245-3 (single)
- GN76-200 AM39188 (single)
- GN82-156 AM39759 (single)
- GN91-200 AM39342 (single)
- GN100-200 AM39718-3 (single)
- GN100-250 AM39764 (single)
- GN100-270 AM39246 (single)
- GN100-400 AM39526 (single)

BLOWER ASSEMBLIES

- GN37-200 AM39729 (single)
- GN65-360 AM39766 (single)
- GN72-250 AM39734 (single)
- GN75-125 AM39728 (single)
- GN76-200 AM39740 (single)
- GN82-156 AM39761 (single)
- GN91-200 AM39739 (single)
- GN100-200 AM39729 (single)
- GN100-250 AM39729 (single)
- GN100-270 AM39753 (single)
- GN100-400 AM39733 (single)

IGNITORS

- GN37-200, GN75-125, GN76-200, GN82-156, GN91-200, GN100-200, GN65-360, GN72-250, GN100-250, GN100-270, GN100-400
AM39758 (single)

PRESSURE SWITCHES

- GN75-125LN, GN72-250LN
SP12755A
- GN100-200LN, GN76-200LN, GN37-200LN
SP12755B
- GN91-200LN SP12755C
- GN82-156LN, GN100-250LN
SP12755D
- GN100-270LN SP12755E
- GN65-360LN SP12755F
- GN100-400LN AP12755G-1

VENT DAMPERS

- GN37-200 AP13155-1 (single)
- GN65-360 AP13143-1 (single)
- GN72-250 AM38386-H (single)
- GN75-125 AM38220-H (single)
- GN76-200 AP13146-I (single)
- GN82-156 AM36424B-H (single)
- GN91-200 AP13145 (single)
- GN100-200 AP13721 (single)
- GN100-250 AM40018 (single)
- GN100-270 AM40018 (single)
- GN100-400 AM38753-H (single)

White Rogers Relay

SP12732 (single)

Baffle Assembly

AM39581 (single)

Pilot Assembly

SP20058 (single)

Burner Tray and Manifold - (GN75-125)

AM39245-3 (single)

Burner Tray and Manifold - (GN100-200)

AM39718-3 (single)

SMC South Blower Cage

AP12712 (single)

QNI Wiring Harness

AP12594B-3 (single)

Honeywell Ignition Cable

AP12761 (single)



PARTS DIAGRAM
ON PAGE 60

Commercial Gas – Light Duty, Standing Pilot

- **Robertshaw Natural Gas Thermostat** (180 degrees) control valve with 2 3/8" shank - single use high limit (200 degrees) - 75,000 BTU - 1/2" inlet & outlet
SP12234B (single)
- **Robertshaw Natural Gas Thermostat** (180 degrees) control valve with 1 5/8" shank - single use high limit (200 degrees) - 75,000 BTU - 1/2" inlet & outlet
SP12234C (single)
- **Robertshaw Natural Gas Thermostat** (180 degrees) control valve with 2 7/8" shank - single use high limit (200 degrees) - 75,000 BTU - 1/2" inlet & outlet
SP12234E (single)
- **Natural Gas Pilot Burner Assembly** - .0115 orifice
SP8384B (single)
- **LP Pilot Burner Assembly** .008 orifice (colored red for easy identification)
SP8384D (single)
- **24" Thermocouple**
SP6379R (single)



Commercial Eclipse Water Heaters

- **Terminal Block 175 AMP**
SP13407 (single)
- **Transformer 50 VA**
SP13408 (single)
- **Vacuum Relief Valve**
SP221790 (single)
- **Switch**
SP13411 (single)
- **T&P Relief Valve**
SP330040
- **Thermostat**
SP13410

ELEMENTS

- **3100W / 208V**
SP13409AL (single)
AP13409AL (bulk*: 50)
- **4500W / 6000W 208V / 240V**
SP13409BL (single)
AP13409BL (bulk*: 50)
- **6000W / 208V**
SP13409CL (single)
AP13409CL (bulk*: 50)

- **3100W / 240V**
SP13409DL (single)
AP13409DL (bulk*: 50)
- **4500W / 6000W 240V / 277V**
SP13409EL (single)
AP13409EL (bulk*: 50)
- **3100W / 277V**
SP13409FL (single)
AP13409FL (bulk*: 50)
- **4500W / 277V**
SP13409GL (single)
AP13409GL (bulk*: 50)
- **3100W / 480V**
SP13409HL (single)
AP13409HL (bulk*: 50)
- **4500W / 480V**
SP13409JL (single)
AP13409JL (bulk*: 50)
- **6000W / 480V**
SP13409KL (single)
AP13409KL (bulk*: 50)



* Elements may be ordered in bulk. Box consists of 50 elements and 50 gaskets of the same part number.

Commercial Gas – R, RF and RFD Series



Robertshaw Standing Pilot Gas Valve

GAS VALVES

- **Natural Gas Valve Kit** with Honeywell gas valve, thermocouple adaptor, pilot tube and safety labels - 24V
SP10962DK (single)
- **LP Gas Valve Kit** with Honeywell gas valve, thermocouple adaptor, pilot tube and safety labels - 24V
SP10962EK (single)
- **Honeywell Natural Gas Valve**
1/2 inlet x 3/4 outlet - 24V
SP10963B (single)
- **Honeywell LP Gas Valve**
1/2 inlet x 3/4 outlet - 24V
SP10963C (single)
- **Natural Gas Valve Kit** with Honeywell gas valve, pilot tube and safety labels - 24V
SP10963DK (single)
- **LP Gas Valve Kit** with Honeywell gas valve, pilot tube and safety labels - 24V
SP10963EK (single)
- **Robertshaw High Capacity Natural Gas Valve** -
1" inlet x 1" outlet - Slow Opening Valve
SP8099N (single)
- **Robertshaw High Capacity LP Gas Valve** -
1" inlet x 1" outlet - Slow Opening Valve
SP8099P (single)
- **Robertshaw Standing Pilot LP Gas Valve** -
1/2" inlet x 3/4" outlet - Millivolt
SP5870C (single)
- **Robertshaw Standing Pilot Natural Gas Valve** -
1/2" inlet x 3/4" outlet - Millivolt
SP5870E (single)
- **Robertshaw Standing Pilot Natural Gas Valve** -
3/4" inlet x 3/4" outlet - Millivolt
SP5870F (single)

IGNITION CONTROL MODULE AND CABLE

- **Honeywell Ignition Control** - S8600M -
Continuous Retry - 24V - used with electronic
ignition system
SP10763B (single)
- **Honeywell Ignition Cable** - 25 inch - 1/4"
disconnect with rubber boot on pilot end - 24V
SP8828D (single)

PILOT SENSORS AND STANDING PILOTS

- **Honeywell Pilot Burner and Ignitor Sensor** -
Natural Gas - Electronic Ignition
SP10764B (single)
- **Honeywell Pilot Burner and Ignitor Sensor** -
LP Gas - Electronic Ignition
SP10764C (single)
- **Robertshaw Standing Pilot**
- Natural Gas .014 orifice
SP10399B (single)
- **Robertshaw Standing Pilot** - LP Gas -
.010 orifice (red identification coating on LP
models only)
SP10399C (single)

THERMOCOUPLES AND THERMOPILES

- **24" Thermocouple** - secured with type A
spring clip
SP8242J (single)
- **Honeywell 23" Thermopile Generator**
SP10100B (single)

Commercial Gas – R, RF and RFD Series (CONT.)



Honeywell Immersion Thermostat & High Limit



Watts Temperature & Pressure Relief Valve:

- Safety device that allows water to escape from the tank in the unlikely event that the temperature or pressure becomes excessive.

THERMOSTATS AND HIGH LIMITS

- **Honeywell Immersion Thermostat** (100-180 degrees) & High Limit - single immersion well - 1 13/16" shank x 3/4" NPT
SP11799 (single)
- **Honeywell Immersion Thermostat** (100-180 degrees) & High Limit (200 degrees) - dual immersion well with 39 1/4" capillary - 1 13/16" shank x 3/4" NPT
SP11798B (single)
- **White-Rogers Manual Re-Set Immersion Thermostat** (100-180 degrees) & High Limit dual immersion well with 46" capillary - 3/4" NPT
AP12015-1 (single)
- **Honeywell Immersion Thermostat** (100-180 degrees) & High Limit (200 degrees) - dual immersion well with 42" capillary
SP8824B (single)

DAMPER ASSEMBLY

- **Due to the unique application of damper assemblies, please call for part numbers and pricing. Have the model number and serial number of the water heater on hand.**
- **Damper Drive Motor**
SP11617 (single)

- **Effikal Damper Motor**
AP13798 (single)

LEG EXTENSIONS REQUIRED FOR N.S.F. APPROVAL

- **Leg extension kit for N.S.F. Approval for models:** G50-98, G67-114, G82-156, G37-160, G76-180, G76-200, G91-200, G100-200, G72-250(A), G100-250(A), G100-270(A), G72-300(A), G91-300(A), G65-360(A), G65-400(A), G85-400(A), G77-500(A)
AM35450 (single)

TEMPERATURE & PRESSURE RELIEF VALVES

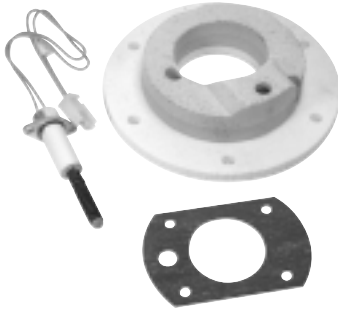
- **Watts 100XL-4** - 3/4" inlet x 3/4" discharge - M150# (150 PSI pressure/ 210 degree temperature) up to 100,000 BTU
SP12574 (single)
- **Watts 40XL-5** - 3/4" inlet x 3/4" discharge - M150# (150 PSI pressure/ 210 degree temperature) up to 200,000 BTU
SP9013D (single)
- **Watts L40XL-6** - 1" inlet x 1" discharge (150 PSI pressure/ 210 degree temperature) up to 500,000 BTU
SP9012B (single)

Nine basic commercial gas parts fix all 19 Universal water heaters

Universal Product Spark Ignition with Effikal Damper					
Model	Gas Valve	Ignition Control Module	Pilot Sensor	Thermostat	T&P Valve
G50-98	SP10963D	SP10763B	SP10764B	SP11799	SP9013D
G75-125				SP11798B	
G82-156				SP11798B	
G37-160				SP11799	
G37-200				SP11798B	SP9012B
G76-180					
G76-200					
G91-200					
G100-200					
G72-250					
G100-250					
G100-270					
G72-300					
G91-300					
G100-310					
G65-360					
G65-400					
G85-400					
G100-400					

To place your order call 1-800-621-5622; fax 1-800-535-9538

AdvantagePlus Water Heaters



110 Volt Ignitor Kit



GAS THERMOSTATS

- **Interconnecting Ribbon Cable to PC Board**
SP12139 (single)
- **Pressure Switch**
SP12140 (single)
- **Transformer with Ignition Cable**
SP12141 (single)
- **ECO/Temperature Probe**
SP12142 (single)
- **110V Ignitor Kit**
SP12143K (single)
- **Flame Rectification Probe**
SP12144 (single)
- **Gas Valve**
SP12145 (single)
- **Low Voltage Cable**
SP12146 (single)
- **Line Cable**
SP12147 (single)
- **Over Temperature Switch (Exhaust Outlet)**
SP12149 (single)
- **Glass Sight Window**
SP12150 (single)
- **Neutralizer Condensate**
SP12151 (single)
- **Gasket Burner Mounting Flange**
SP12152 (single)
- **Gasket Blower Outlet Flange**
SP12153 (single)
- **Gasket Air Inlet**
SP12154 (single)
- **Gasket Sight Window**
SP12156 (single)
- **Main Control PC Board, 160 deg., 130,000 BTU**
SP12136 (single)

- **Main Control PC Board, 160 deg., 160,000 BTU**
SP12137 (single)
- **Display PC Board**
SP12138 (single)
- **Main Control PC Board, 160 deg., 199,000 BTU**
SP12186 (single)
- **Main Control PC Board, 160 deg., 100,000 BTU**
AP12416 (single)
- **Main Control PC Board, 180 deg., 160,000 BTU**
AP12418 (single)
- **Main Control PC Board, 180 deg., 199,000 BTU**
AP12419 (single)

ADVANTAGEPLUS ACCESSORIES

- **Combustion Blower**
SP12189 (single)
- **Concentric Vent Termination Kit 3"**
SP12161 (single)
- **Aluminum Outside Termination Vent Kit**
SP12162 (single)
- **Mesh Screen 3-1/2" Size Stainless for 3" Pipe**
SP12163 (single)
- **Model 450 CO Meter**
AP12516 (single)



PARTS DIAGRAM
ON PAGE 61

XTREME Water Heaters

- **Thermostat and High Limit**
AP12015-1 (single)
- **Pressure Switch** (GX90-500, GX90-550, GX90-600, GX90-680)
SP12756 (single)
SP13698 (GX90-640, GX90-715)
- **Gas Valve**
SP12866P (single, LP)
SP12866N (single, NG)
- **Pilot / Ignitor Assembly**
SP12305 (single, LP)
SP12237 (single, NG)
- **Relief Valve** (GX90-715, GX90-680)
AP12323-1 (single)
- **Relief Valve** (GX90-640, GX90-600, GX90-550)
AP12035 (single)
- **Relief Valve** (GX90-500)
SP9012B (single)
- **Full Flow Drain Valve**
AP12231B-1 (single)
- **Damper Assembly**
AM39825 (single)
- **Blower Motor**
SP12525 (single)
- **Gasket Plenum**
AP12382-1 (single)
- **Gasket Set/Fan**
AP12383 (single)

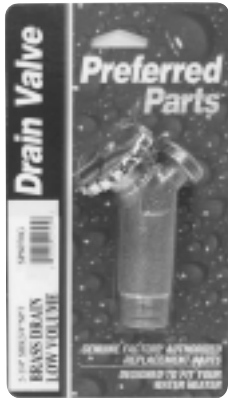


PARTS DIAGRAM
ON PAGE 58

VentMaster Water Heaters

- **Anode Rod** - 42" long x .840 dia
SP11345S
- **Thermostat and High Limit**
SP11789B
- **Blower**
AP13192
- **Relief Valve** (GP100-200, GP100-150)
SP9013D
- **Baffle**
AM40134
- **Pilot Ignitor Assembly**
SP13185
- **Gas Valve**
SP13714
- **System Sentinel Panel**
AM38875
- **Control Module**
AM40782
- **Relay**
SP12732
- **On/Off Switch**
SP8825
- **Transformer**
SP10550B
- **Drain Valve**
AP12231B-1
- **Ignition Control**
SP10763B

Common Replacement Parts



Light Duty Brass Drain Valve:



R-Tech Resistor
Magnesium Flexible
Link Anode Rod:

DRAIN VALVES

- **Brass Drain Valve** - 3/4" x 2 1/4" shank
SP6070G (single)
- **Brass Drain Valve** - 3/4" x 3" shank -
Commercial Light Duty
SP12112S (single)
- **Standard Melet** - 3/4" NPT x 2 1/4" shank
SP12039 (single)
- **Brass Drain Valve** - 3/4" x 2 1/4" shank
SP12112G (single)
- **Brass Full Flow Drain Valve 3.1"** (gas)
AP12231B-1 (single)
- **Brass Full Flow Drain Valve 3.1"** (electric)
AP12231C-1 (single)

ANODE RODS

- **R Tech Resistor Magnesium Anode Rod** -
44" long x .700 dia
SP11309C (single)
- **Galvo Magnesium** - 44" long x .840 dia
SP11345C (single)
- **Magnesium Anode Rod** - 44" long x .840 dia
SP11524C (single)
- **Magnesium Anode Rod** - 58" long x .840 dia
SP11524Z (single)
- **R Tech Resistor Magnesium Anode Rod** -
44" long x .900 dia
SP11526C (single)
- **R Tech Resistor Magnesium Flexible Link
Anode Rod** - 52" long - 12" sections
SP8371B (single)

DIP TUBES

- **Dip Tube with anti-siphon hole** - 3/4" x 54" long
- clear (North Carolina code) with gasket
SP11251R (single)
- **Dip Tube with anti-siphon hole** - 1" x 26" long
with gasket
SP11269C (single)
- **Dip Tube with anti-siphon hole** - 3/4" x 54" long
with gasket
SP11248R (single)

GASKETS

- **Hand Hole Gasket**
SP5886 (single)



**Universal Copper
Screw-In Element**



**Universal Copper
Flange Element**

Note: Elements listed not recommended with Rheem, Ruud, and GE products. Use of this component may lead to premature failure of the product and voiding of manufacturers warranties.

HWD = High Watt Density
MWD = Medium Watt Density
LWD = Low Watt Density

Please call for Master Carton pricing. Note: add MC to end of stock number.

Non-Resistored Heating Elements

COPPER SCREW-IN ELEMENTS

- **120V/1500W**, 7-5/8", HWD
UV12890 (Single)
AP12890 (Bulk*: 50)
- **120V/2000W**, 7-5/8", HWD
UV12892 (Single)
AP12892 (Bulk*: 50)
- **240V/1500W**, 7-5/8", HWD
UV12891 (Single)
AP12891 (Bulk*: 50)
- **240V/2000W**, 7-5/8", HWD
UV12893 (Single)
AP12893 (Bulk*: 50)
- **240V/2500W**, 9-3/8", HWD
UV12894 (Single)
AP12894 (Bulk*: 50)
- **240V/3000W**, 10-9/16", HWD
UV12895 (Single)
AP12895 (Bulk*: 50)
- **240V/3500W**, 12-9/16", HWD
UV12896 (Single)
AP12896 (Bulk*: 50)
- **240V/3800W**, 13-7/16", HWD
UV12897 (Single)
AP12897 (Bulk*: 50)
- **240V/4000W**, 13-9/16", HWD
UV12898 (Single)
AP12898 (Bulk*: 50)
- **240V/4500W**, 13-9/16", HWD
UV12899 (Single)
AP12899 (Bulk*: 50)
- **240V/4500W**, 10", MWD
UV13049 (Single)
AP13049 (Bulk*: 50)
- **240V/5500W**, 10-1/8", LWD
UV12900 (Single)
AP12900 (Bulk*: 50)
- **240V/4500W**, 11-3/4", LWD
UV12901 (Single)
AP12901 (Bulk*: 50)

COPPER 1-3/8" SCREW-IN ELEMENTS

- **240V/4500W**, 11-9/16", LWD
UV12902 (Single)
AP12902 (Bulk*: 50)

COPPER FLANGE ELEMENTS

- **120V/1500W**, 7-5/8", HWD
UV12944 (Single)
AP12944 (Bulk*: 50)
- **240V/1500W**, 7-5/8", HWD
UV12908 (Single)
AP12908 (Bulk*: 50)
- **240V/2500W**, 10", HWD
UV13047D (Single)
AP13047D (Bulk*: 50)
- **240V/3500W**, 12-9/16", HWD
UV12909 (Single)
AP12909 (Bulk*: 50)

- **240V/4500W**, 13-9/16", HWD
UV12910 (Single)
AP12910 (Bulk*: 50)
- **240V/3000W**, 10", HWD
UV13047A (Single)
AP13047A (Bulk*: 50)
- **240V/5500W**, 12", HWD
UV13047B (Single)
AP13047B (Bulk*: 50)
- **240V/4500W**, 9", MWD
UV13047C (Single)
AP13047C (Bulk*: 50)

COPPER FLAT FLANGE ELEMENTS

- **240V/4500W**, 13-9/16", HWD
UV12907 (Single)
AP12907 (Bulk*: 50)
- **240V/4500W**, 14", LWD
UV13051 (Single)
AP13051 (Bulk*: 50)

SLIP-IN ELEMENTS

- **240V/3000W**, HWD
UV13066A (Single)
AP13066A (Bulk*: 50)
- **240V/3500W**, HWD
UV13066B (Single)
AP13066B (Bulk*: 50)
- **240V/4500W**, HWD
UV13066C (Single)
AP13066C (Bulk*: 50)

STAINLESS STEEL SCREW-IN ELEMENTS

- **240V/3500W**, 13-7/8", LWD
UV12903 (Single)
AP12903 (Bulk*: 50)
- **240V/4500W**, 13-1/2", LWD
UV12904 (Single)
AP12904 (Bulk*: 50)
- **240V/5500W**, 13-1/2", LWD
UV12905 (Single)
AP12905 (Bulk*: 50)
- **120V/1500W**, 12", HWD
UV13050B (Single)
AP13050B (Bulk*: 50)
- **240V/2500W**, 11", HWD
UV13050A (Single)
AP13050A (Bulk*: 50)
- **240V/4500W**, 14", HWD
UV13048 (Single)
AP13048 (Bulk*: 50)

STAINLESS STEEL FLANGE ELEMENT

- **240V/2500W**, 11", LWD
UV12911 (Single)
AP12911 (Bulk*: 50)

To place your order call 1-800-621-5622; fax 1-800-535-9538



Universal Gasket Kit

Element Accessories

- **Gaskets for screw-in elements**
AP6708-9 (Bulk: 50)
- **1/2" Round Gasket for flange elements**
AP6614J (Bulk: 50)
- **4-hole Gasket for flange elements**
AP10363 (Bulk: 50)
- **Gasket Kit** - (1) screw-in gasket, (1) flange, (1) 4-hole gasket, (4) 1/4" - 20 x 3/4" hex slot
UV12914 (Single)
- **Universal Adapter Kit** - (1) flat gasket, (1) round gasket, (1) element adapter
UV6830 (Single)
- **4" Heavy Duty Element Wrench**
UV38628 (Single)



5" Heavy duty element wrench

Please call for Master Carton pricing. Note: add MC to end of stock number.

Now available: an all-in-one tune-up kit for the plumbing professional!



Universal Parts Plumber's Pack

The plumber's pack is an all-inclusive "tune-up" kit for electric water heaters featuring the most popular replacement parts on the market.

- Two non-resistored heating elements and gaskets
- Upper and lower thermostats
- Economy package that includes all the major components for a complete "tune-up" for the water heater

Plumber's Pack Kit - includes two non-resistored 4500 watt screw-in heating elements, two heating element gaskets, and upper & lower thermostats

UV20018 (single)

RESIDENTIAL *Universal™ Parts*

The *value line* for all your replacement parts needs.



Thermocouple Kit



Thermostat Bracket

Electric Thermostats*

- **APCOM Upper Thermostat**
(max 150 degrees) & High Limit (170 degree)
- Two element non-simultaneous 208, 240, 277, 480 volt
UV13359 (single)
- **Therm-O-Disc Upper Thermostat**
(max 150 degrees) & High Limit (170 degree)
- Two element simultaneous 208, 240, 277, 480 volt
UV11699 (single)
- **Therm-O-Disc Upper Thermostat**
(max 150 degrees) & High Limit (170 degree)
- Single element 120 volt
UV11700 (single)
- **APCOM Lower Thermostat**
(max 150 degrees) simultaneous and non-simultaneous 208, 240, 277, 480 volt
UV13360 (single)
- **Therm-O-Disc Lower Thermostat**
(max 150 degrees) & High Limit (170 degree)
- Two element non-simultaneous 208, 240, 277, 480 volt
UV11695 (single)
- **Therm-O-Disc Upper Thermostat**
(max 150 degrees) simultaneous and non-simultaneous 208, 240, 277, 480 volt
UV11698 (single)

Gas Replacement Parts

- **18" Thermocouple Kit**
UV6379L (Single)
- **24" Thermocouple Kit**
UV6379R (Single)
- **30" Thermocouple Kit**
UV6379H (Single)
- **36" Thermocouple Kit**
UV6379S (Single)
- **48" Thermocouple Kit**
UV6379T (Single)

Common Replacement Parts

- **Flared Dip Tube**
SP11248R (Bulk: Qty. 12)
- **Threaded Dip Tube**
AP12933 (Bulk: Qty. 12)
- **Screw-In Thermostat Bracket**
AM23557 (Bulk: Qty. 50)
- **Heat Traps** (flapper type)
UV12992 (Single: 2/pkg.)
- **Watts 100XL-4;** 3/4" inlet x 3/4" discharge - M150# (150 PSI pressure / 210 degree temperature) up to 100,000 BTU
SP12574 (single)
- **Watts 100XL;** 3/4" inlet x 3/4" discharge (150 PSI pressure / 210 degree temperature) - long shank up to 100,000 BTU
SP8346 (single)
- **Drain Valve; Standard Melet**
3/4" NPT x 2 1/4" shank
UV12039 (single)

Please call for Master Carton pricing. Note: add MC to end of stock number.

* Electric thermostats may be ordered in bulk. Box consists of 50 thermostats of the same part number. Bulk pricing is less than the single price. Please call for pricing.

To place your order call 1-800-621-5622; fax 1-800-535-9538



Flexible Copper Water Connector:

- Durable and flexible water connector allows for easy hook up to existing water lines.



Stainless Steel Water Connect



Compression Fittings:

- High quality brass fittings ensure a positive leakproof connection.



Drain Pan with Fittings:

- Available in plastic or aluminum in a variety of sizes.

Accessories

WATER CONNECTORS

- **12" Flexible Copper Water Connector 3/4"**
UV10351 (Single: 2/Pkg.)
AP10351 (Bulk: 25)
- **15" Flexible Copper Water Connector 3/4"**
UV10505 (Single: 2/Pkg.)
AP10505 (Bulk: 25)
- **18" Flexible Copper Water Connector 3/4"**
UV10506 (Single: 2/Pkg.)
AP10506 (Bulk: 25)
- **24" Flexible Copper Water Connector 3/4"**
AP13006 (Bulk: 25)
- **18" Flexible Copper Water Connector 3/4" FIP x 3/4" Sweat**
AP13012 (Bulk: 25)
- **24" Flexible Copper Water Connector 3/4" FIP x 3/4" Sweat**
AP13015 (Bulk: 25)
- **Stainless Steel 3/4" Water Connector 12"**
UV12927 (Single: 2/Pkg.)
AP12927 (Bulk: 25)
- **Stainless Steel 3/4" Water Connector 15"**
UV12928 (Single: 2/Pkg.)
AP12928 (Bulk: 25)
- **Stainless Steel 3/4" Water Connector 18"**
UV12929 (Single: 2/Pkg.)
AP12929 (Bulk: 25)

GAS CONNECTORS

- **12" Stainless Steel Gas Connector 1/2" FIP x 1/2" MIP**
AP10349 (Bulk: 25)
- **18" Stainless Steel Gas Connector 1/2" FIP x 1/2" MIP**
AP10350 (Bulk: 25)
- **24" Stainless Steel Gas Connector 1/2" FIP x 1/2" MIP**
AP13014 (Bulk: 25)
- **48" Stainless Steel Gas Connector 1/2" FIP x 1/2" MIP**
AP13013 (Bulk: 25)

INSTALLATION KITS

- **15" Water Connector Kit 3/4"***
UV20010 (Single: 2/Pkg.)
- **15" Gas Connector Kit 3/4"***
UV20016 (Single: 2/Pkg.)
- **15" Electric Connector Kit 3/4"***
UV20013 (Single: 2/Pkg.)
- **18" Water Connector Kit 3/4"***
UV20011 (Single: 2/Pkg.)
- **18" Gas Connector Kit 3/4"***
UV20017 (Single: 2/Pkg.)
- **18" Electric Connector Kit 3/4"***
UV20014 (Single: 2/Pkg.)

- **12" Water Connector Kit 3/4"***
UV20009 (Single: 2/Pkg.)
- **12" Gas Connector Kit 3/4"***
UV20015 (Single: 2/Pkg.)
- **12" Electric Connector Kit 3/4"***
UV20012 (Single: 2/Pkg.)

FITTINGS

- **3/4" Compression Fitting x 3/4" MPT**
UV10374 (Single: 2/Pkg.)
- **1/2" Compression Fitting x 3/4" MPT**
UV10354 (Single: 2/Pkg.)
- **Nipples 3/4" x 2-1/4" PP Lined**
UV8397G (Single: 2/Pkg.)
AP8397G-8 (Bulk: 100)
- **Nipples 3/4" x 3" PP Lined**
AP8397N-8 (Bulk: 100)
- **Dielectric Union**
AP13045 (Single)

OTHER ACCESSORIES

- **Center Top Run-Off Tube**
SP11956B (Bulk: 12)
- **20" Plastic Drain Pan with Fittings (Electric)**
AP12934 (Bulk: 20)
- **22" Plastic Drain Pan with Fittings (Electric)**
AP12937 (Bulk: 20)
- **24" Plastic Drain Pan with Fittings (Electric)**
AP12935 (Bulk: 20)
- **26" Plastic Drain Pan with Fittings (Electric)**
AP12936 (Bulk: 10)
- **30" Plastic Drain Pan with Fittings**
AP13319 (Bulk: 5)
- **20" Aluminum Drain Pan with Fittings**
AP12939 (Bulk: 10)
- **22" Aluminum Drain Pan with Fittings**
AP12941 (Bulk: 10)
- **24" Aluminum Drain Pan with Fittings**
AP12942 (Bulk: 10)
- **26" Aluminum Drain Pan with Fittings**
AP12940 (Bulk: 10)
- **30" Aluminum Drain Pan with Fittings**
AP13325 (Bulk: 5)
- **Gas Control Extender**
AP11620-1 (Bulk: 50)

EXPANSION TANKS

- **RRT Therm-X-Guard Expansion Tank 2.5 Gal**
RRT-5 (Single)
- **RRT Therm-X-Guard Expansion Tank 5 Gal**
RRT-12 (Single)
- **RRT Therm-X-Guard Expansion Tank 10 Gal**
RRT-25 (Single)

* Gas connector kits contain (2) 3/4" nipples, (2) 3/4" x 12", 15", 18" flex water connectors, (1) teflon tape, (2) 3/4" comp. fittings, (1) 18" flex. gas connector.
Electric connector kits contain (2) 3/4" x 2" nipples, (2) 3/4" x 12", 15", 18" flex water connectors, (1) teflon tape, (2) 3/4" MPT comp. fittings.
Water connector kits contain (2) 3/4" x 2" nipples, (2) 3/4" x 12", 15", 18" flex water connectors, (1) teflon tape.

Please call for Master Carton pricing. Note: add MC to end of stock number.

Emergency Cutoff Device - The WAGS Valve



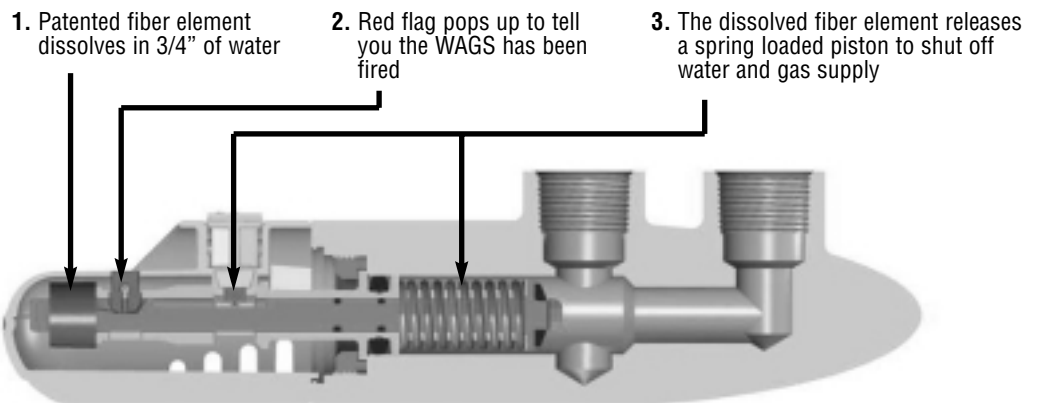
The WAGS Valve

A drip pan is installed under your water heater. The WAGS valve is attached to the water source, then to the water heater. If a leak occurs, a water-soluble disc in the WAGS dissolves, releasing a powerful spring-loaded piston that closes the flow of water to the tank. In gas-fired water heaters, this action also breaks a fuse that shuts off the gas supply to the heater.

WAGS is based on patented fiber element technology developed for the British Royal Air Force to inflate life jackets automatically. It's highly reliable, totally mechanical, and requires no additional power source.

How the WAGS valve works.

When leaking water reaches a depth of 3/4", a specially engineered fiber element dissolves to activate a spring-loaded piston that shuts off the water supply. The gas supply is also automatically shut off if the valve is attached to a gas-fired heater.



• WAGS Valve Cutoff Device
AP13320



**RTG-42PV and RUTG-42PV
Indoor Tankless Water Heater**

Tankless Gas Replacement Parts for Residential Models RTG-42PV and RUTG-42PV

Part Number	Description	Reference No.	Cross Reference No.	Price
RTG20000A	Gas Filter	102	01-86103	
RTG20000B	Flame Current Detector	954	04-05009	
RTG20000C	Short-Circuit Lead Wire	951	07-71058	
RTG20000D	Cord for flame rod failure	953	07-71059	
RTG20000E	Multimeter Lead Cramp	950	07-71060	
RTG20000F	Multimeter Needle Set	952	07-71061	
RTG20000G	Packing 26 x 32 (5 pieces/pack)	105	09-03511	
RTG20000H	O-Ring P-12 (5 pieces/pack)	409	09-06132	
RTG20000J	O-Ring P-9 (5 pieces/pack)	429	09-06213	
RTG20000K	O-Ring P-4 (5 pieces/pack)	716	09-06214	
RTG20000L	O-Ring P-16 (5 pieces/pack)	427	09-06215	
RTG20000M	O-Ring P-14 (5 pieces/pack)	426	09-06219	
RTG20000N	O-Ring P-22.4 (5 pieces/pack)	402	09-06331	
RTG20000P	O-Ring P-18 (5 pieces/pack)	104	09-61180	
RTG20000R	Fuse 3A	775	09-73259	
RTG20000S	Thermo-Switch	725	09-73664	
RTG20000T	Heat Exchanger Thermistor	715	09-76885	
RTG20000U	Hot Water Outlet Thermistor	717	10-58754	
RTG20000V	Water Inlet Thermistor	713	10-58755	
RTG20000W	Multimeter CDM-03	956	16-00956	
RTG20000X	Electrode	736	21-12791	
RTG20000Y	Plate	016	21-13636	
RTG20000Z	Fuse Board Assembly	750	21-35750	
RTG20000AA	Drain Valve Assembly with water filter	405	21-98655	
RTG20000AB	Air Filter Assembly	046	31-15350	
RTG20000AC	Air Filter Switch Assembly	726	31-15359	
RTG20000AD	Bypass Pipe	462	31-15387	
RTG20000AE	Gas Control Assembly (LP)	103	31-15465	
RTG20000AF	Gas Control Assembly (NAT)	103	31-15466	
RTG20000AH	Fan Set	728	31-16646	
RTG20000BD	Sea Level Altitude Chip (NAT) 0 to 3,280 feet	751	31-16944	
RTG20000BE	Sea Level Altitude Chip (LP) 0 to 3,280 feet	751	31-16943	
RTG20000AJ	High Altitude Chip (LP) 3,280 – 6,560 feet	901	31-16683	
RTG20000AK	High Altitude Chip (NAT) 3,280 – 6,560 feet	902	31-16684	
RTG20000AL	High Altitude Chip (LP) 6,560 – 9,840 feet	903	31-16685	
RTG20000AM	High Altitude Chip (NAT) 6,560 – 9,840 feet	904	31-16686	
RTG20000AP	Lower Burner Assembly (LP)	120	31-16706	
RTG20000AR	Lower Burner Assembly (NAT)	120	31-16711	
RTG20000AS	Upper Burner Assembly	111	31-16715	
RTG20000AT	Front Cover Assembly	001	31-16821	
RTG20000AU	Operation Panel Assembly	010	31-16830	
RTG20000AV	Operation Board Assembly	742	31-16832	
RTG20000AW	Gas Inlet Connector Assembly (1/2")	100	31-16861	
RTG20000AX	Bypass Body Assembly	461	31-16871	
RTG20000AY	Drain Valve B Assembly (for bypass body)	465	31-16873	
RTG20000AZ	Hot Water Outlet Connector (3/4")	430	31-16875	
RTG20000BA	Water Inlet Connector (3/4")	401	31-16878	
RTG20000BB	Voltage Transformer Assembly	741	31-16909	
RTG20000BC	Burner Control Assembly	745	31-16922	
RTG20000BF	Ignitor Assembly	735	31-29145	
RTG20000BG	Water Control Assembly	410	31-29171	
RTG20000BH	IC Assembly	723	54-01027	
RTG20000BJ	Transformer Assembly	740	61-05227	
RTG20000BK	Air Flow Switch Assembly	733	61-06105	
RTG20000BL	Electromotive Force Detector	955	61-06389	

UNIVERSAL PARTS TANKLESS GAS PARTS



Indoor Tankless Gas Water Heater



Waterproof Remote Control



Outdoor Tankless Gas Water Heater



Waterproof Remote Control

Tankless Gas Replacement Parts for Residential Models RTG-74PV, RTG-74X, RUTG-74PV and RUTG-74X; Commercial Models GT-199PV and GT-199X

Part Number	Description	Ref. No.	Cross Reference No.	RESIDENTIAL		COMMERCIAL		Price
				74X Outdoor Models	74PV Indoor Models	GT-199X Outdoor Models	GT-199PV Indoor Models	
RTG20006C	Air Filter Assembly	7	31-63028-00		74PV		199PV	
RTG20006F	Gas Control Valve Assembly	103	31-50250-00	74X	74PV	199X	199PV	
RTG20006G	O-Ring P-26	104	09-61260-00	74X	74PV	199X	199PV	
RTG20006J	Upper Burner Assembly	112	31-51409-00	74X		199X		
RTG20006K	Upper Burner Assembly	112	31-50409-00		74PV		199PV	
RTG20006L	Lower Burner Assembly R (NAT)	113	31-51419-00	74X (NAT)		199X (NAT)		
RTG20006M	Lower Burner Assembly R (LP)	113	31-51426-00	74X (LP)		199X (LP)		
RTG20006N	Lower Burner Assembly R (LP)	113	31-50441-00		74PV (LP)		199PV (LP)	
RTG20006P	Lower Burner Assembly R (NAT)	113	31-50442-00		74PV (NAT)		199PV (NAT)	
RTG20006R	Lower Burner Assembly L (NAT)	114	31-51425-00	74X (NAT)		199X (NAT)		
RTG20006S	Lower Burner Assembly L (LP)	114	31-51427-00	74X (LP)		199X (LP)		
RTG20006T	Lower Burner Assembly L (LP)	114	31-50446-00		74PV (LP)		199PV (LP)	
RTG20006U	Lower Burner Assembly L (NAT)	114	31-50447-00		74PV (NAT)		199PV (NAT)	
RTG20006AA	Ignitor Assembly	123	31-50702-00	74X	74PV	199X	199PV	
RTG20006AC	Electrode (flame rod)	132	31-50419-00	74X	74PV	199X	199PV	
RTG20006AD	Electrode (spark)	133	31-53440-00	74X	74PV	199X	199PV	
RTG20006AE	Isolated Tube	134	09-77638-00	74X	74PV	199X	199PV	
RTG20006AF	Hot Water Outlet Connector 3/4 NPT	137	31-50380-00	74X	74PV	199X	199PV	
RTG20006AL	Water Inlet Connector Assembly 3/4 NPT	142	31-16868-00	74X	74PV	199X	199PV	
RTG20006AN	Gas Inlet Connector Assembly 3/4 NPT	144	31-50379-00	74X	74PV	199X	199PV	
RTG20006AP	O-Ring P-10	204	09-61100-00	74X	74PV	199X	199PV	
RTG20006AR	Water Inlet Thermistor	400	09-76931-00	74X	74PV	199X	199PV	
RTG20006AS	Drain Valve Assembly	405	21-98655-00	74X	74PV	199X	199PV	
RTG20006AT	O-ring P-8	408	09-61080-00	74X	74PV	199X	199PV	
RTG20006AU	Res Water Control Assembly	410	31-50230-00	74X	74PV			
RTG20006JA	Comm Water Control Assembly	410	31-52731-00			199X	199PV	
RTG20006AV	Drain Valve A with O-ring	411	04-38888-00	74X		199X		
RTG20006AW	Drain Valve A with O-ring	411	10-36316-00		74PV		199PV	
RTG20006AY	O-Ring P-6 (EPT)	416	09-06115-00	74X	74PV	199X	199PV	
RTG20006BB	Hot Water Outlet Thermistor	420	09-76932-00	74X	74PV	199X	199PV	

To place your order call 1-800-621-5622; fax 1-800-535-9538

Tankless Gas Replacement Parts for Residential Models RTG-74PV, RTG-74X, RUTG-74PV and RUTG-74X; Commercial Models GT-199PV and GT-199X *(continued)*

UNIVERSAL PARTS TANKLESS GAS PARTS

Part Number	Description	Ref. No.	Cross Reference #	RESIDENTIAL		COMMERCIAL		Price
				74X Outdoor Models	74PV Indoor Models	GT-199X Outdoor Models	GT-199PV Indoor Models	
RTG20006BC	Heat Exchanger Thermistor	421	09-76934-00	74X	74PV	199X	199PV	
RTG20006BE	O-Ring P-12.7 EPT	429	09-06376-00	74X	74PV	199X	199PV	
RTG20000L	O-Ring P-16 EPT	451	09-06215-00	74X	74PV	199X	199PV	
RTG20006BV	Thermistor Assembly	711	31-63727-00	74X	74PV	199X	199PV	
RTG20006BW	FR Connector Cord Assembly	720	31-50777-00	74X	74PV	199X	199PV	
RTG20006BY	Over Heat Limiter Assembly	722	31-50584-00	74X	74PV	199X	199PV	
RTG20006BZ-1	Res Burner Control Assembly (PCB)	723	31-51511-0S	74X				
RTG20006CA-1	Res Burner Control Assembly (PCB)	723	31-51531-0S		74PV			
RTG20006JB	Comm Burner Control Assembly (PCB)	723	31-51515-0S			199X		
RTG20006JC	Comm Burner Control Assembly (PCB)	723	31-51535-0S				199PV	
RTG20006CB	Transformer Assembly	724	31-50704-00	74X	74PV	199X	199PV	
RTG20006CC	Fan Assembly	728	31-50547-00	74X	74PV	199X	199PV	
RTG20006CG	Thermostat Assembly	734	61-10192-00	74X	74PV	199X	199PV	
RTG20006CJ	Filter SW Connector Cord Assembly	748	31-50775-00		74PV		199PV	
RTG20006CK	Filter SW Assembly	749	31-15359-00		74PV		199PV	
RTG20006CL	Power Cord Connector Assembly	755	31-50766-00	74X		199X		
RTG20006CM	Wiring Assembly A	756	31-50711-00	74X	74PV	199X	199PV	
RTG20006CN	Signing Connector Cord Assembly	757	31-50715-00	74X	74PV	199X	199PV	
RTG20006CP	Relay Cord Assembly	758	31-50719-00	74X	74PV	199X	199PV	
RTG20000R	Fuse 3A (power)	759	09-73259-00	74X	74PV	199X	199PV	
RTG20006CS	Fuse 5A (PCB)	760	09-73211-00	74X	74PV	199X	199PV	
RTG20006DF-1	Sea Level Altitude Chip (LP) 0-3280 feet	900	31-51694-00		74PV (LP)			
RTG20006DG	Sea Level Altitude Chip (NAT) 0-3280 feet	900	31-51547-00		74PV (NAT)			
RTG20006DK-1	High Altitude Chip (LP) 3281-6560 feet	900	31-51682-00		74PV (LP)			
RTG20006DM-1	High Altitude Chip (NAT) 3281-6560 feet	900	31-51688-00		74PV (NAT)			
RTG20006DL-1	High Altitude Chip (LP) 6561-9840 feet	900	31-51685-00		74PV (LP)			
RTG20006DN-1	High Altitude Chip (NAT) 6561-9840 feet	900	31-51691-00		74PV (NAT)			
RTG20006EM	Sea Level Altitude Chip (LP) 0-3280 feet	900	31-51714-00	74X (LP)				
RTG20006EN	Sea Level Altitude Chip (NAT) 0-3280 feet	900	31-51717-00	74X (NAT)				
RTG20006EH	High Altitude Chip (LP) 3281-6560 feet	900	31-51702-00	74X (LP)				
RTG20006EK	High Altitude Chip (NAT) 3281-6560 feet	900	31-51708-00	74X (NAT)				
RTG20006EJ	High Altitude Chip (LP) 6561-9840 feet	900	31-51705-00	74X (LP)				
RTG20006EL	High Altitude Chip (NAT) 6561-9840 feet	900	31-51711-00	74X (NAT)				
RTG20006JD	Sea Level Altitude Chip (LP) 0-3280 feet	900	31-52921				199PV (LP)	
RTG20006JE	Sea Level Altitude Chip (NAT) 0-3280 feet	900	31-52922				199PV (NAT)	
RTG20006JF	High Altitude Chip (LP) 3281-6560 feet	900	31-52923				199PV (LP)	
RTG20006JG	High Altitude Chip (NAT) 3281-6560 feet	900	31-52924				199PV (NAT)	
RTG20006JH	High Altitude Chip (LP) 6561-9840 feet	900	31-52925				199PV (LP)	
RTG20006JJ	High Altitude Chip (NAT) 6561-9840 feet	900	31-52926				199PV (NAT)	
RTG20006JK	Sea Level Altitude Chip (LP) 0-3280 feet	900	31-52931			199X (LP)		
RTG20006JL	Sea Level Altitude Chip (NAT) 0-3280 feet	900	31-52932			199X (NAT)		
RTG20006JM	High Altitude Chip (LP) 3281-6560 feet	900	31-52933			199X (LP)		
RTG20006JN	High Altitude Chip (NAT) 3281-6560 feet	900	31-52934			199X (NAT)		
RTG20006JP	High Altitude Chip (LP) 6561-9840 feet	900	31-52935			199X (LP)		
RTG20006JR	High Altitude Chip (NAT) 6561-9840 feet	900	31-52936			199X (NAT)		
RTG20006DU	Rheem Bath1 Control (USC1-117)	700		74X	74PV	199X	199PV	
RTG20006DV	Rheem Bath2 Control (USC2-117)	903		74X	74PV			
RTG20006DW	Rheem Main Control (UMC-117)	901		74X	74PV			
RTG20006DX	Ruud Bath1 Control (USC1-117)	700		74X	74PV			
RTG20006DY	Ruud Bath2 Control (USC2-117)	903		74X	74PV			
RTG20006DZ	Ruud Main Control (UMC-117)	901		74X	74PV			

To place your order call 1-800-621-5622; fax 1-800-535-9538

Tankless Gas Venting Parts



Part Number	Description	Price
RTG20003	3" Installation Vent Kit (Stainless Steel Components) - for horizontal termination only Fits models RTG-42PV, RUTG-42PV, PTG-42PV and RMTG-42PV Kit includes: • (1) Adapter - RTG20000BM • (2) 90 degree elbows - RTG20001C • (1) 12" length vent pipe - RTG20001D • (1) 2-piece 6"-19" adjustable length pipe - RTG20001F • (1) 2-piece horizontal wall thimble - RTG20001B • (1) 90 degree termination elbow with vent screen - RTG20001H • (1) Pressure relief valve - AP12993C	
RTG20007	4" Installation Vent Kit (Stainless Steel Components) - for horizontal termination only Fits models RTG-74PV, RUTG-74PV, PTG-74PV and RMTG-74PV and GT-199PV Kit includes: • (1) Adapter - RTG20002B • (2) 90 degree elbows - RTG20002E • (1) 12" length vent pipe - RTG20002C • (1) 2-piece round wall thimble plate - RTG20002N • (1) 2-piece 6"-19" adjustable length pipe - RTG20002L • (1) 90 degree termination elbow with vent screen - RTG20002F • (1) Pressure relief valve - AP12993C • (1) 18 AWG, 2 conductor thermostat wire for remote control connection - RTG20009	
3" Venting Parts		
RTG20000BM	Vent Adapter	
RTG20001C	90 Degree Elbow	
RTG20001J	45 Degree Elbow	
RTG20001D	12" Length Vent Pipe	
RTG20001K	24" Length Vent Pipe	
RTG20001E	37.5" Length Vent Pipe	
RTG20001F	2-piece 6"-19" Adjustable Length Pipe	
RTG20001B	2-piece Horizontal Wall Thimble	
RTG20001H	90 Degree Termination Elbow with vent screen	
RTG20001A	Horizontal/Vertical In-Line Condensate Trap	
RTG20001G	Screen Termination	
RTG20001M	Support Clamp	
RTG20001L	2" Clearance Horizontal Support	
RTG20001N	Pitched Cone Vent Flashing for vertical termination	
RTG20001P	Roof Jack Support System for vertical termination on flat roof	
RTG20001R	Storm Collar	
RTG20001S	Rain Cap w/ storm collar for vertical vent termination	
RTG20001T	16" x 16" Fire Stop	
RTG20001U	Conduit Tee	
RTG20001V	Tee Cover with drain fitting	
4" Venting Parts		
RTG20002B	Vent Adapter	
RTG20002E	90 Degree Elbow	
RTG20002R	45 Degree Elbow	
RTG20002C	12" Length Vent Pipe	
RTG20002S	24" Length Vent Pipe	
RTG20002D	37.5" Length Vent Pipe	
RTG20002L	2-piece 6"-19" Adjustable Length Pipe	
RTG20002N	Round Face 2-piece Horizontal Wall Thimble	
RTG20002F	90 Degree Termination Elbow with vent screen	
RTG20002K	Horizontal/Vertical In-Line Condensate Trap	
RTG20002M	Screen Termination	
RTG20002U	Support Clamp	
RTG20002T	2" Clearance Horizontal Support	
RTG20002V	Pitched Cone Vent Flashing for vertical termination	
RTG20002W	Roof Jack Support System for vertical termination on flat roof	
RTG20002X	Storm Collar	
RTG20002Y	Rain Cap w/ storm collar for vertical vent termination	
RTG20002Z	16" x 16" Fire Stop	
RTG20002G	Conduit Tee	
RTG20002J	Tee Cover with drain	
Other Parts		
AP12993C	Pressure Relief Valve	
RTG20009	18 AWG Thermostat Wire for remote control connection	
RTG20002A	10 ft. Condensate Drain Tube Hose Kit	

All tankless water heater venting material is made from Category III stainless steel for durability and safety. All components are UL 1738 certified.

To place your order call 1-800-621-5622; fax 1-800-535-9538

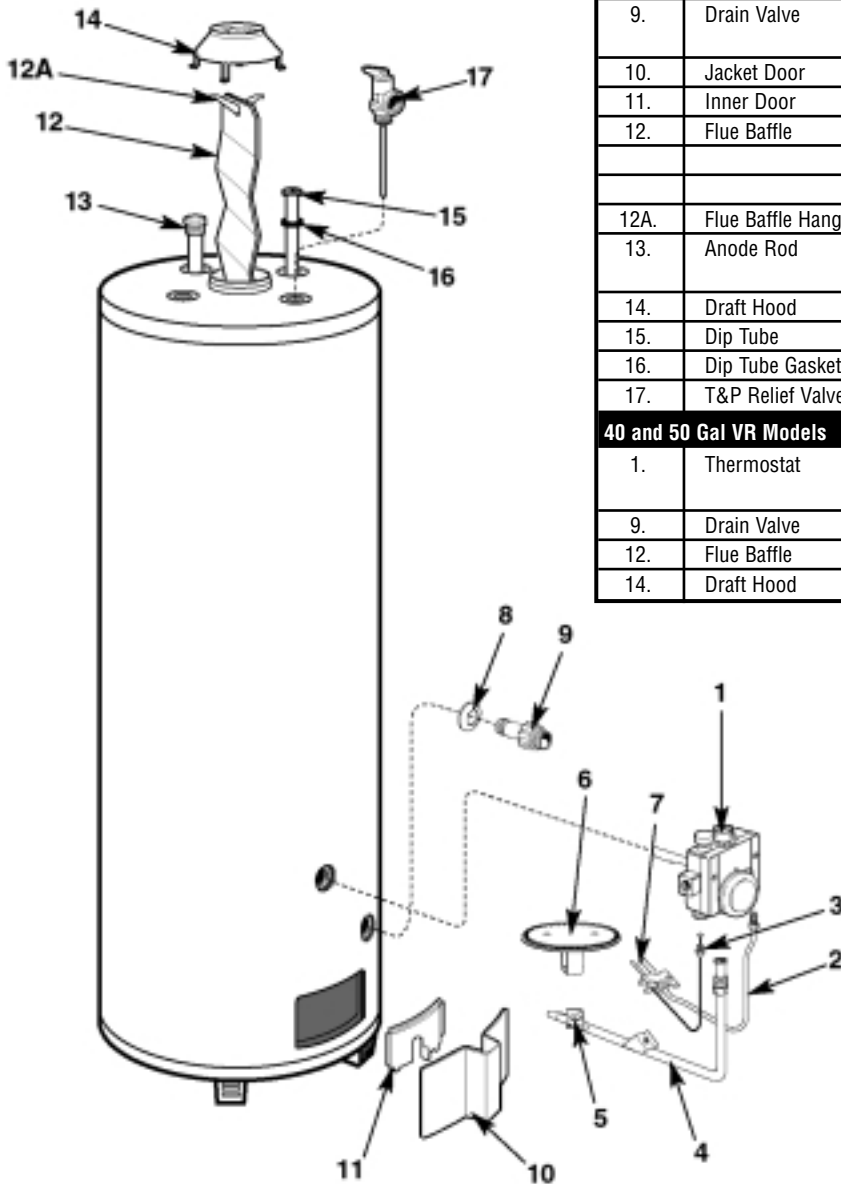
Residential Replacement Parts List

All standing pilot models except direct vent and PowerVent

NATURAL OR LP GAS

Units manufactured prior to January, 2004

Ref. No.	Part Description	Qty. Req.	Part Number		
1.	Thermostat	1	(NAT) SP8555B (LP) SP12258B		
2.	Pilot Supply Tube	1	N/A		
3.	Thermocouple	1	SP6379K		
4.	Burner Supply Tube	1 Burner Assembly	(30 Gal NAT) AM35050CNN (30 Gal LP) AM36336IJ (40 Gal NAT) AM35050DT (40 Gal LP) AM36336DZZ (50 Gal NAT) AM35050EFF (50 Gal LP) AM36336EZZ		
5.	Burner Orifice				
6.	Burner				
7.	Pilot Burner		1	SP8980B	
8.	Drain Valve Shroud		1	AP9167	
9.	Drain Valve	1	SP12039 SP12112E (brass)		
10.	Jacket Door	1	AM29254-4C		
11.	Inner Door	1	AM29501		
12.	Flue Baffle	1	(30 Gal) AM25812-1 (40 Gal) AM25812-1 (50 Gal) AM25816		
12A.	Flue Baffle Hanger	1	AM20622C		
13.	Anode Rod	1	(5 Year) SP11309C (10 Year) SP11526C		
14.	Draft Hood	1	AM36352H		
15.	Dip Tube	1	SP112481Q		
16.	Dip Tube Gasket	1	AP6948-1		
17.	T&P Relief Valve	1	SP12574		
40 and 50 Gal VR Models					
1.	Thermostat	1	(NAT) SP8555P (LP) SP12258P		
9.	Drain Valve	1	SP12112S		
12.	Flue Baffle	1	AM38876		
14.	Draft Hood	1	AM36333H		

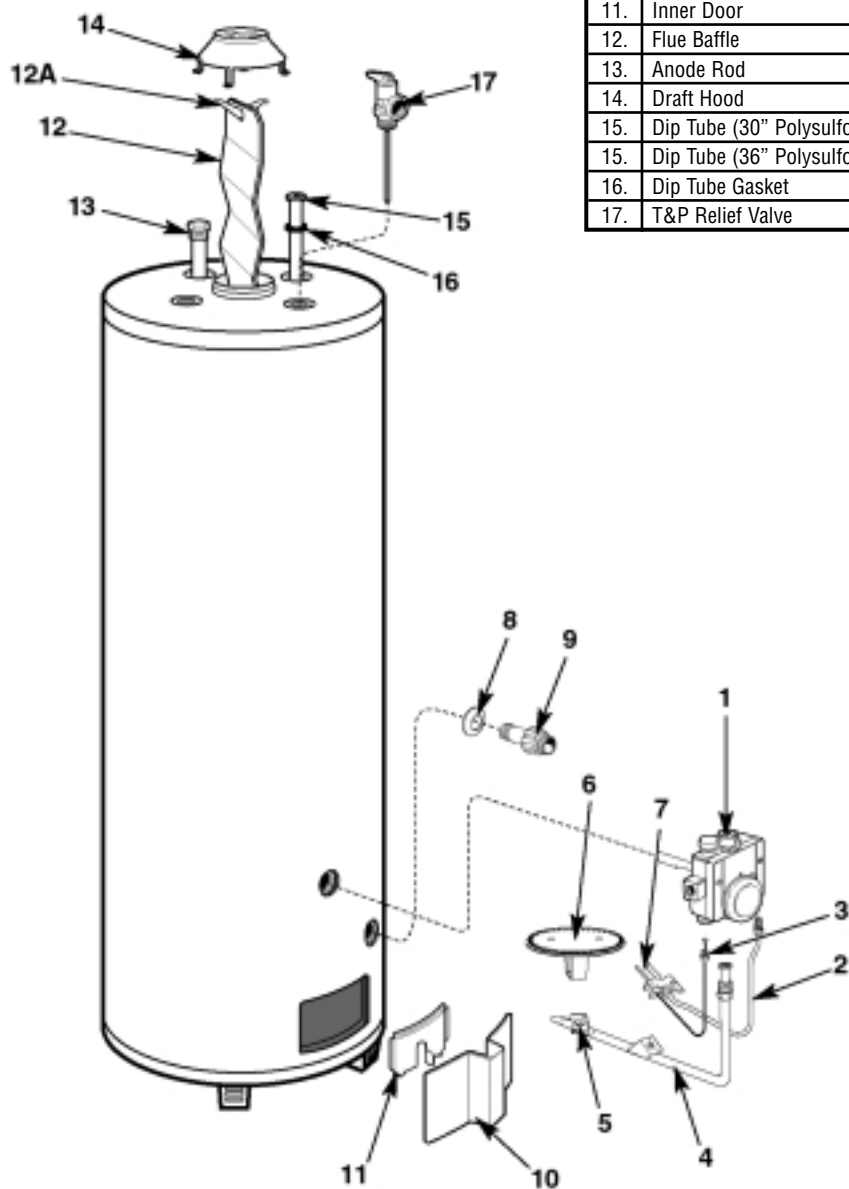


To place your order call 1-800-621-5622; fax 1-800-535-9538

Residential Replacement Parts List

All standing pilot models except direct vent and PowerVent 60-50 GALLON NATURAL OR LP GAS

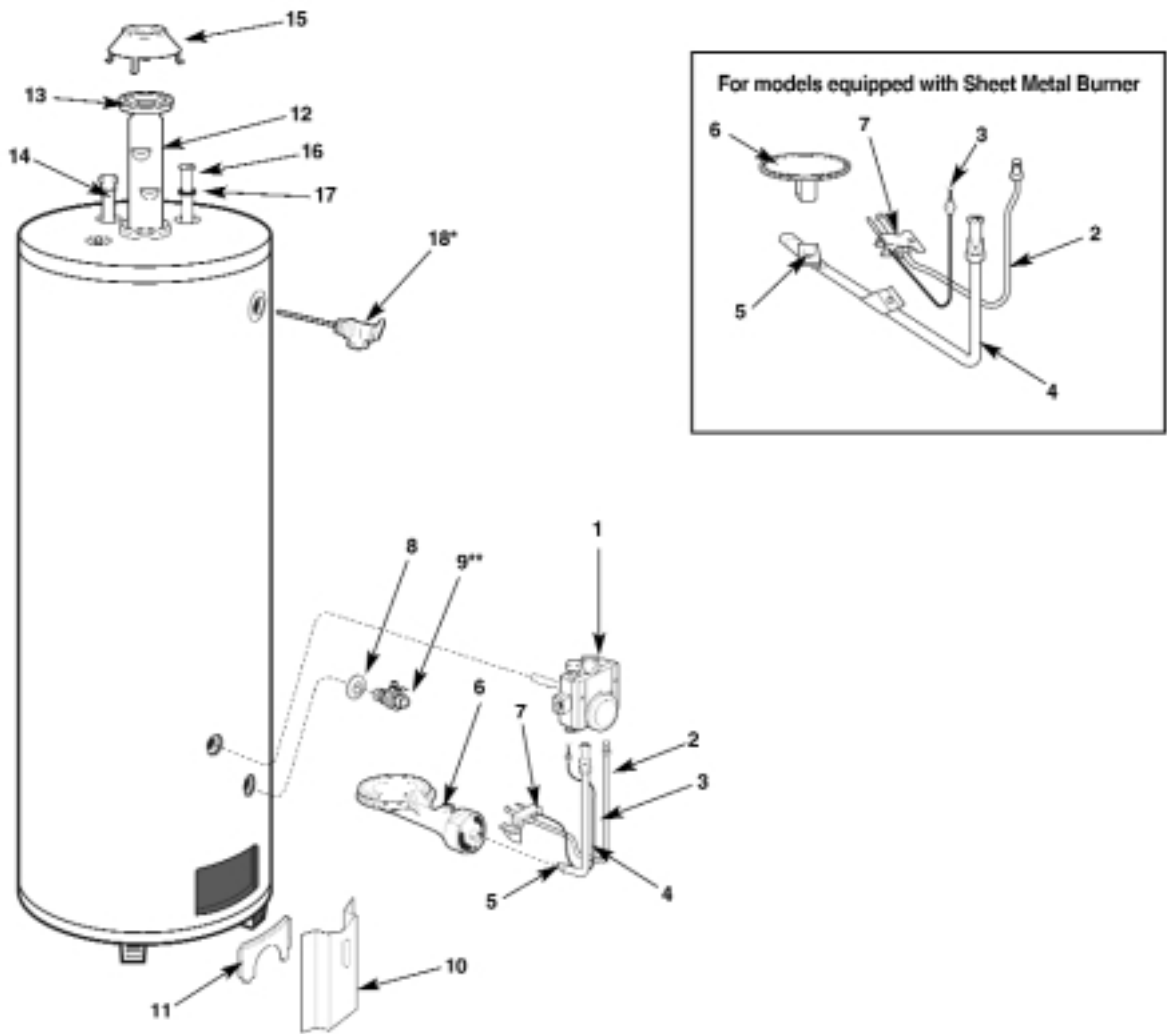
Ref. No.	Part Description	Qty. Req.	Part Number
1.	Thermostat	1	(NAT) SP20085K
2.	Pilot Supply Tube	1	N/A
3.	Thermocouple	1	SP6379K
4.	Burner Supply Tube	1 Burner Assembly	N/A
5.	Burner Orifice		N/A
6.	Burner Assembly NAT (#30 orifice)		SP20084A
6A.	Assembly Low NOx (#30 orifice)		SP20084D
6B.	Burner Assembly LP (#46 orifice)		SP20084E
6C.	Assy LP High Altitude (#47 orifice)		SP20084F
7.	Pilot Burner		N/A
8.	Drain Valve Shroud	1	AP9167
9.	Drain Valve	1	SP12112G
10.	Jacket Door	1	SP20084K
11.	Inner Door	1	SP20084H
12.	Flue Baffle	1	SP20084G
13.	Anode Rod	1	AP11526S
14.	Draft Hood	1	SP20084J
15.	Dip Tube (30" Polysulfone)	1	AP11251G
15.	Dip Tube (36" Polysulfone)	1	AP11625Q
16.	Dip Tube Gasket	1	AP6948-3
17.	T&P Relief Valve	1	SP12574



To place your order call 1-800-621-5622; fax 1-800-535-9538

Residential Replacement Parts List

50-6, 75 & 100 GALLON MODELS: NATURAL OR LP GAS

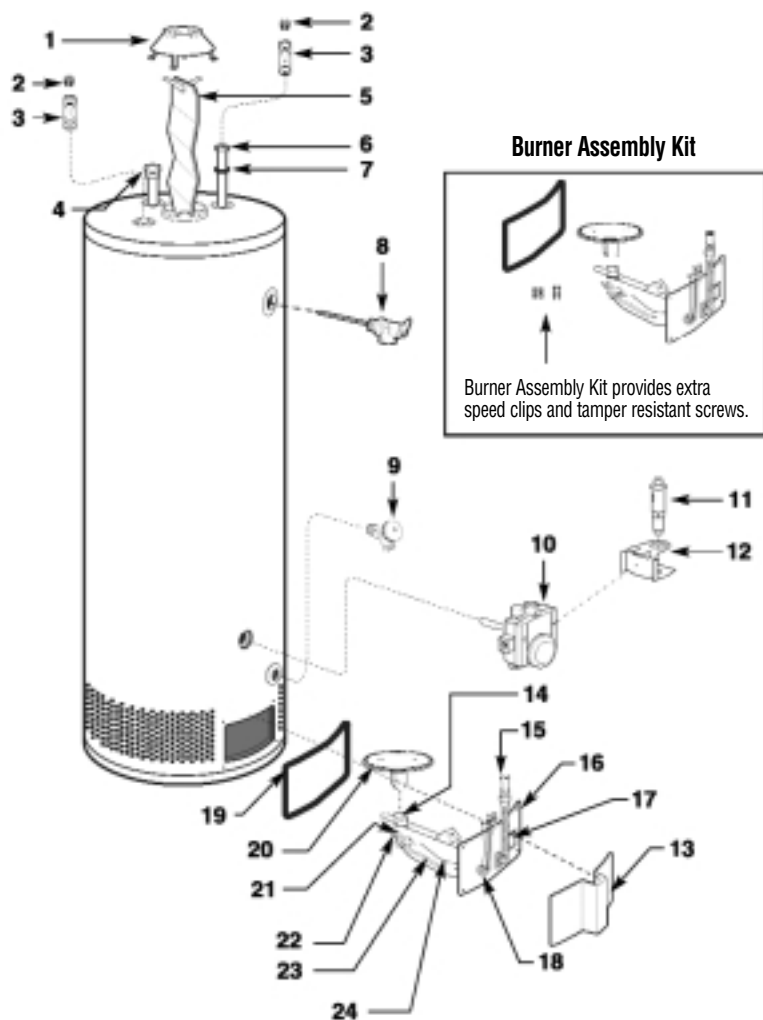


Ref. No.	Part Description	Qty. Req.	Part Number		
			50-6	75VR	100 Gal
1.	Thermostat	1	(NAT) SP10022P	(NAT) SP12491D	(NAT) SP10022F
			(LP) SP12258P	(LP) SP12258N	(LP) SP12258F
2.	Pilot Supply Tube	1	N/A	N/A	N/A
3.	Thermocouple	1	SP6379K	SP6379C	SP6379K
4.	Burner Supply Tube	1 Burner Assembly	(NAT) AM29602STT	AM39178BC	(NAT) AM29602FRR
5.	Burner Orifice		(LP) AM36419SN	(LP) AM36419RKK	(LP) AM36419FKK
6.	Burner	1	(NAT) SP8384B	(NAT) SP8980B	(NAT) SP8384B
7.	Pilot Burner		(LP) SP8384D	(LP) SP8384D	(LP) SP8384D
8.	Drain Valve Shroud	1	AP9167	AP9167	AP9167
9.	Drain Valve	1	SP12112S	SP12112S	SP12112E
10.	Jacket Door	1	AM21658C	AM21658C	AM21658C
11.	Inner Door	1	AM27902-2	AM27902-2	AM27902-2
12.	Flue Baffle	1	AM26055	AM26053	AM26054
12A.	Flue Baffle Hanger	1	N/A	N/A	N/A
13.	Flue Baffle Collar	1	AM25187	AM25187	AM25187
14.	Anode Rod	1	SP11309C	AP11525C	AP11525BD
15.	Draft Hood	1	AM25206	AM25206	AM25206
16.	Dip Tube	1	SP11269C	AP11273G	SP11269C
17.	Dip Tube Gasket	1	AP9060-1	AP9060-1	AP9060-1
18.	T&P Relief Valve	1	AP12575B-1	SP12575B	AP12576B-1

To place your order call 1-800-621-5622; fax 1-800-535-9538

Residential Replacement Parts List

30, 40 AND 50 GALLON FVIR MODELS (Flammable Vapor Ignition Resistant System) NATURAL OR LP GAS



To place orders call
1-800-621-5622

All parts orders should include:

1. The model and serial number of the water heater from the rating plate.
2. Specify type of gas (natural or LP) as marked on the rating plate.
3. Part description (as noted below) and number of parts desired.

Ref. No.	Part Description	Qty. Req.
1.	Draft Hood	1
2.	Heat Traps	1
3.	Lined Nipples	1
4.	Anode Rod	1
5.	Flue Baffle & Hanger	1
6.	Dip Tube	1
7.	Dip Tube Gasket	1
8.	T&P Relief Valve	1
9.	Drain Valve	1
10.	Gas Control (thermostat)	1
11.	Piezo Ignition Ignitor	1
12.	Mounting Bracket	1
13.	Jacket Door	1
14.	Burner Orifice	1 Burner Assembly
15.	Burner Supply Tube	
16.	Burner Access Door	
17.	Sight Glass	
18.	Burner Access Door Grommet	
19.	Burner Access Door Gasket	
20.	Burner	
21.	Pilot Burner and Piezo Electrode	
22.	Thermocouple	
23.	Pilot Supply Tube	
24.	Piezo Ignitor Wire	

Units manufactured between July, 2003 – December, 2003

Ref. No.	Part Description	Qty. Req.	Part Number		
			30 gallon models	40 gallon models	50 gallon models
1.	Draft Hood	1	AM36352-H	AM36352-H	AM36352-H
2.	Heat Traps	1	SP20003	N/A	N/A
3.	Lined Nipples	1	N/A	SP11623B (VR models only)	SP11623B (VR models only)
4.	Anode Rod	1	SP11309C	SP11309C	SP11309C
5.	Flue Baffle & Hanger	1	Call for Application	Call for Application	Call for Application
6.	Dip Tube	1	AP11625G-1	AP11625F-1	AP11625P
7.	Dip Tube Gasket	1	AP6948-3	AP6948-3	AP6948-3
8.	T&P Relief Valve	1	SP12574	SP12574	SP12574
9.	Drain Valve	1	SP12112E	SP12112E	SP12159B
10.	Gas Control (thermostat)	1	SP8555B (NAT)	SP12258B (LP)	SP12258B (LP)
11.	Piezo Ignition Ignitor	1	SP20055	SP20055	SP20055
12.	Mounting Bracket	1	SP20055	SP20055	SP20055
13.	Jacket Door	1	AS39789-2C	AS39789-2C	AS39789-2C
	Burner Kit	1	Call for Application	Call for Application	Call for Application
	Gasket Kit	1	SP20063	SP20063	SP20063
	Thermocouple Kit	1	SP20064	SP20064	SP20064

To place your order call 1-800-621-5622; fax 1-800-535-9538

Residential Replacement Parts List

30, 40 AND 50 GALLON FVIR MODELS (Flammable Vapor Ignition Resistant System) NATURAL OR LP GAS

For NAECA V-PLUS units manufactured starting January, 2004

Ref. No.	Part Description	Qty. Req.	Part Number		
			30 gallon models	40 gallon models	50 gallon models
1.	Draft Hood	1	AM36352-H	AM36352-H	AM36352-H
4.	Anode Rod	1	SP11309C (6-YR) SP11526C (12-YR)	SP11309C(6-YR) SP11526C (12-YR)	SP11309C(6-YR) SP11526C (12-YR)
5.	Flue Baffle & Hanger	1	Call for Application	Call for Application	Call for Application
6.	Dip Tube	1	Call for Application	Call for Application	Call for Application
7.	Dip Tube Gasket	1	AP6948-3	AP6948-3	AP6948-3
8.	T&P Relief Valve	1	AP12575B-1	AP12575B-1	AP12575B-1
9.	Drain Valve	1	SP12112S	SP12112S	SP12112S
10.	Gas Control (thermostat)	1	SP8555T (NAT) SP13160D (LP)	SP8555T (NAT) SP13160D (LP)	SP8555T (NAT) SP13160D (LP)
13.	Jacket Door	1	AS39789-2C	AS39789-2C	AS39789-2C
	Drain Valve Shroud	1	AP9167	AP9167	AP9167
	Burner Kit	1	Call for Application	Call for Application	Call for Application
	Pilot Assembly Kit	1	SP20075 (NAT) SP20076 (LP)	SP20075 (NAT) SP20076 (LP)	SP20075 (NAT) SP20076 (LP)
	Thermocouple Kit	1	SP20064	SP20064	SP20064

For NAECA Non-VR units manufactured starting January, 2004

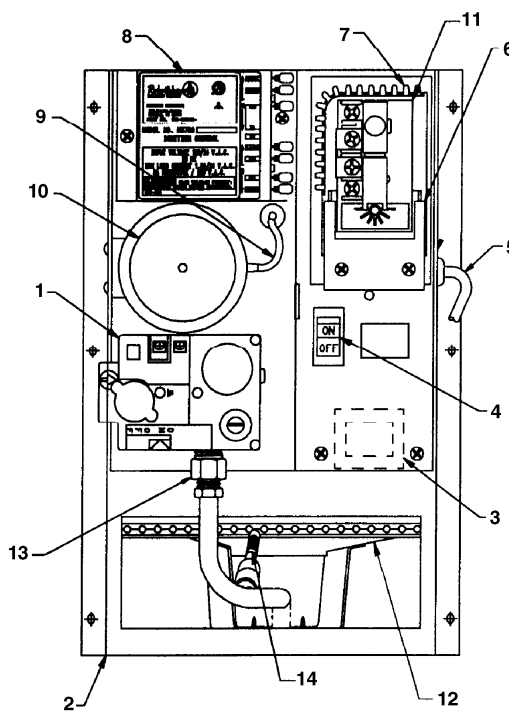
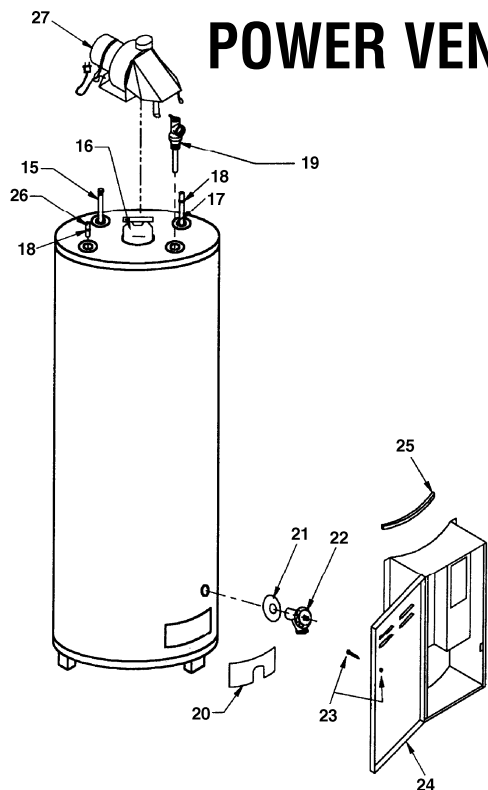
Ref. No.	Part Description	Qty. Req.	Part Number		
			30 gallon models	40 gallon models	50 gallon models
1.	Draft Hood	1	AM36333-H	AM36352-H	AM36352-H
4.	Anode Rod	1	SP11309C	SP11309C	SP11309C
5.	Flue Baffle & Hanger	1	Call for Application	Call for Application	Call for Application
6.	Dip Tube	1	Call for Application	Call for Application	Call for Application
7.	Dip Tube Gasket	1	AP6948-3	AP6948-3	AP6948-3
8.	T&P Relief Valve	1	SP8346	SP8346	SP8346
9.	Drain Valve	1	SP12112G	SP12112G	SP12112G
10.	Gas Control (thermostat)	1	SP8555R (NAT) SP13160E (LP)	SP8555R (NAT) SP13160E (LP)	SP8555R (NAT) SP13160E (LP)
13.	Jacket Door	1	AS39789-2C	AS39789-2C	AS39789-2C
	Drain Valve Shroud	1	AP9167	AP9167	AP9167
	Burner Kit	1	Call for Application	Call for Application	Call for Application
	Pilot Assembly Kit	1	SP20075 (NAT) SP20076 (LP)	SP20075 (NAT) SP20076 (LP)	SP20075 (NAT) SP20076 (LP)
	Thermocouple Kit	1	SP20064	SP20064	SP20064

To place your order call 1-800-621-5622; fax 1-800-535-9538

Residential Replacement Parts List

Hot Surface Ignition

POWER VENTED NATURAL OR LP GAS



WATER HEATER PARTS DIAGRAMS

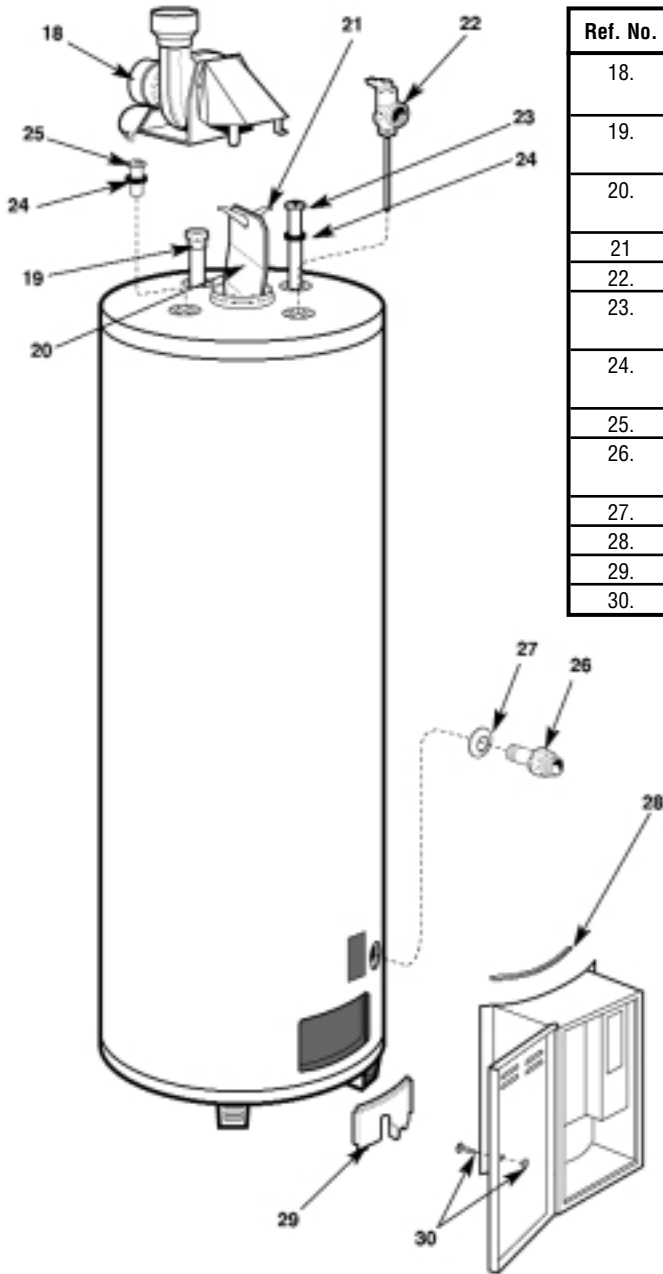
Ref. No.	Part Description	Qty. Req.	Part Number
1.	Regulator/Solenoid	1	(NAT) SP10886B (LP) SP10886C
2.	Assembly – Comp Enclosure	1	N/A
3.	Transformer	1	SP10894
4.	On/Off Switch	1	SP10778
5.	Assembly – Power Cord	1	AM36917
6.	Thermostat Bracket	1	AM37830
7.	Composite Edge Grommet	1	AP10780-1
8.	Ignition Control	1	SP10758
9.	Vinyl Vacuum Tube	1	AP10723-2
10.	Vacuum Switch	1	(Up to 1991) SP10887K (After 1991) SP11875
11.	Thermostat	1	SP12390
12.	Burner	1	N/A
13.	Inverted Flare Nut	1	AP10691-2
14.	Hot Surface Ignitor	1	SP10972
15.	Anode Assembly	1	SP11526C
16.	Flue Baffle Assembly	1	AM25812
17.	Dip Tube	1	AP10768C-4
18.	Dip Tube Gasket	1	AP6948-1
19.	T&P Relief Valve	1	SP12574
20.	Inner Door	1	AM29501
21.	Drain Valve Shroud	1	AP2480-3
22.	Drain Valve	1	SP12039 / 12112G
23.	Captive Screw w/ Retainer	1	AP8162B-1
24.	Enclosure Box Door	1	N/A
25.	Enclosure Box Gasket	1	N/A
26.	Hot Outlet Heat Trap	1	AP8910-1
27.	Vent Fan Assembly	1	AP10983-4
28.	Baffle Hanger	1	AM20622C
29.	Adapters	1	AP10751-3
30.	Vent Terminal w/ Screen	1	AM36755

To place your order call 1-800-621-5622; fax 1-800-535-9538

Residential Replacement Parts List

Spark Ignition

POWER VENTED MODELS: NATURAL OR LP GAS



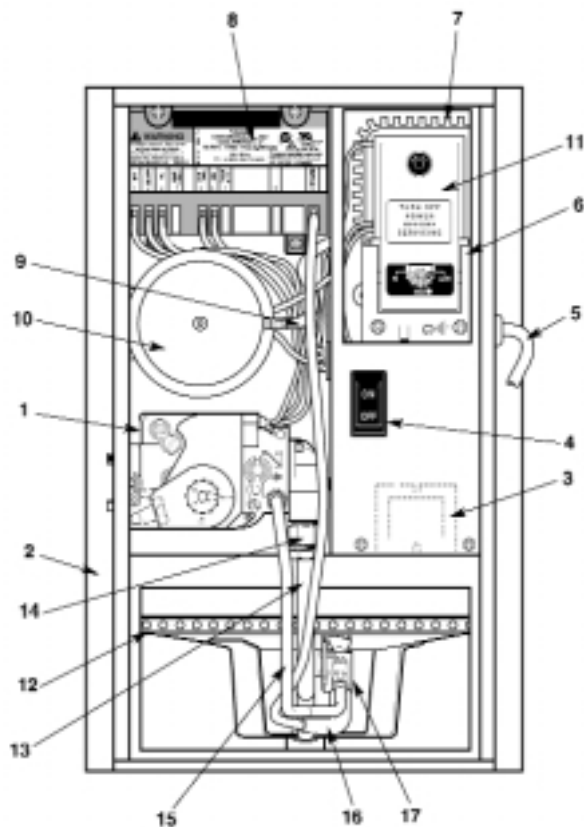
Ref. No.	Part Description	Qty. Req.	Part Number
18.	Vent Fan Assembly	1	(40/50 Gal) AP10983-4
			(75 Gal) AP11608-1
19.	Anode	1	(40/50 Gal) SP11309C
			(75 Gal) 11526C
20.	Flue Baffle Assembly	1	(40/50 Gal) AM20622C
			(75 Gal) AM38168
21.	Flue Baffle Hanger	1	(All models) AM20622C
22.	T & P Relief Valve	1	(All models) SP6571B
23.	Heat Trap Dip Tube	1	(40/50 Gal) AP10768C-4
			(75 Gal) SP11269C
24.	Dip Tube Gasket	1	(40/50 Gal) AP6948-3
			(75 Gal) AP9060-1
25.	Hot Outlet Heat Trap	1	(40/50 Gal) AP8910-1
26.	Drain Valve	1	(40/50 Gal) SP12039
			(75 Gal) SP12112G
27.	Drain Valve Shroud	1	(All models) AP2480-3
28.	Enclosure Box Gasket	1	N/A
29.	Inner door	1	(All models) AM29501
30.	Captive Screw w/ Retainer	1	(All models) AP8162B-1

To place your order call 1-800-621-5622; fax 1-800-535-9538

Residential Replacement Parts List

Spark Ignition

POWER VENTED MODELS: NATURAL OR LP GAS

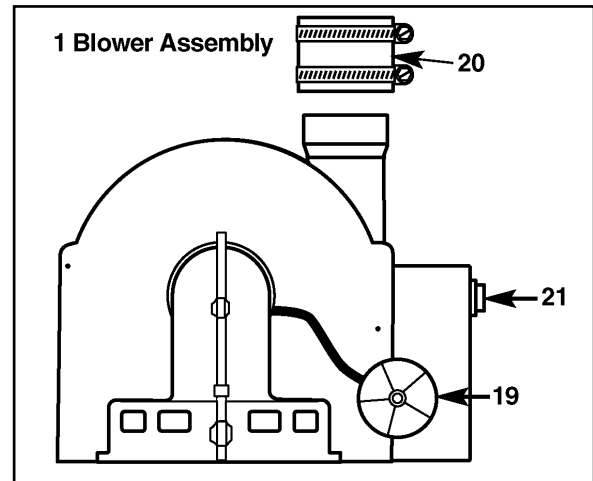
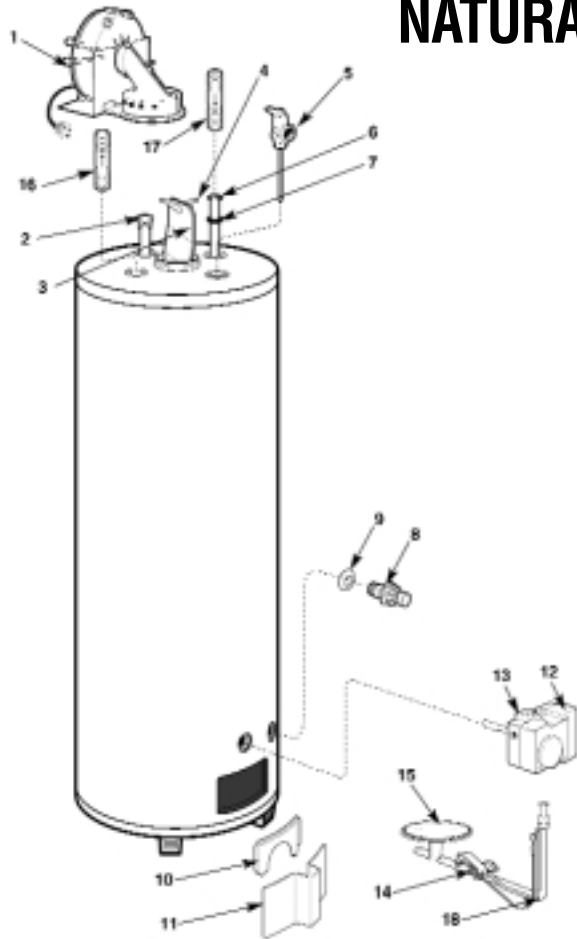


Ref. No.	Part Description	Qty. Req.	Part Number
1.	Gas Control Valve	1	(NAT) SP11652B (LP) SP11652C
2.	Assembly, Control Enclosure	1	N/A
3.	Transformer	1	SP11787
4.	On/Off Switch	1	SP10778
5.	Assembly, Power Cord	1	AM36917
6.	Thermostat Bracket	1	AM37830
7.	Composite Edge Grommet	1	AP10780-1
8.	Ignition Control	1	SP10763B
9.	Vinyl Vacuum Tubing	1	AP10723-2
10.	Vacuum Switch	1	SP11875
11.	Thermostat	1	SP12390
12.	Burner	1	(40 Gal NAT) AM38380C (40 Gal LP) AM38379C (50 Gal NAT) AM38380B (50 Gal LP) AM38379B (75 Gal NAT) AM38140 (75 Gal LP) AM38142
13.	Burner Supply Tube	1	N/A
14.	Inverted Flare Nut	1	AP10691-2
15.	Pilot Supply Tube	1	N/A
16.	Ignitor Cable	1	SP8828D
17.	Pilot / Electrode Assembly	1	(before September 1998: NAT) SP10764B (before September 1998: LP) SP10764C (after September 1998: 40/50 Gal NAT) SP12049B (after September 1998: 40/50 Gal LP) SP12049C (after September 1998: 75 Gal NAT) SP12049D (after September 1998: 75 Gal LP) SP12049E

To place your order call 1-800-621-5622; fax 1-800-535-9538

Residential Replacement Parts List

POWER VENTED - 2 IN. VENT: 40 AND 50 GALLON MODELS NATURAL OR LP GAS



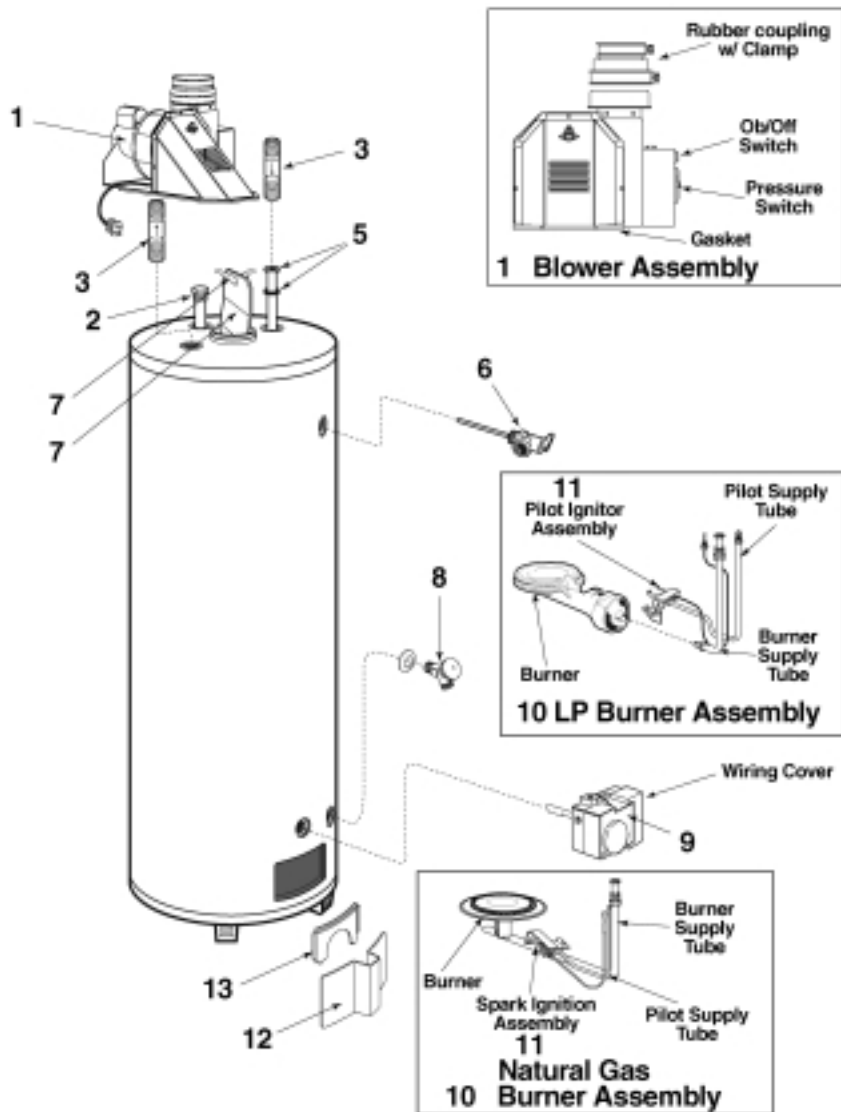
WATER HEATER PARTS DIAGRAMS

Ref. No.	Part Description	Qty. Req.	Part Number
1.	Blower Assembly	1	SP12562
2.	Anode Rod	1	SP11309C
3.	Flue Baffle Assembly	1	AM39341
4.	Flue Baffle Hanger	1	N/A
5.	T & P Relief Valve	1	SP8346
6.	Dip Tube	1	SP11251R
7.	Dip Tube Gasket	1	AP6948-1
8.	Drain Valve	1	SP12112S
9.	Drain Valve Shroud	1	AP9167
10.	Inner Door	1	AM29501
11.	Outer Door	1	AM29254-4C
12.	Protective Cover	1	AP12558
13.	Thermostat	1	(NAT) SP12556 (LP) SP12557
14.	Spark Ignitor Assembly	1	(NAT) SP12560B (LP) SP12560C
15.	Main Burner Assembly	1	(40 Gal NAT Low NOx) AM39503RY (40 Gal LP) AM39504RM (50 Gal NAT Low NOx) AM395035Y (50 Gal LP) AM39504SM
16.	Heat Trap Hot	1	SP20003 Kit
17.	Heat Trap Cold	1	SP20003 Kit
18.	Burner Supply Tube	1	N/A
19.	Pressure Switch	1	SP12766
20.	Rubber Coupling	1	SP12658
21.	On/Off Switch	1	AP12767

To place your order call 1-800-621-5622; fax 1-800-535-9538

Residential Replacement Parts List

75 GALLON POWERVENT NATURAL OR LP GAS

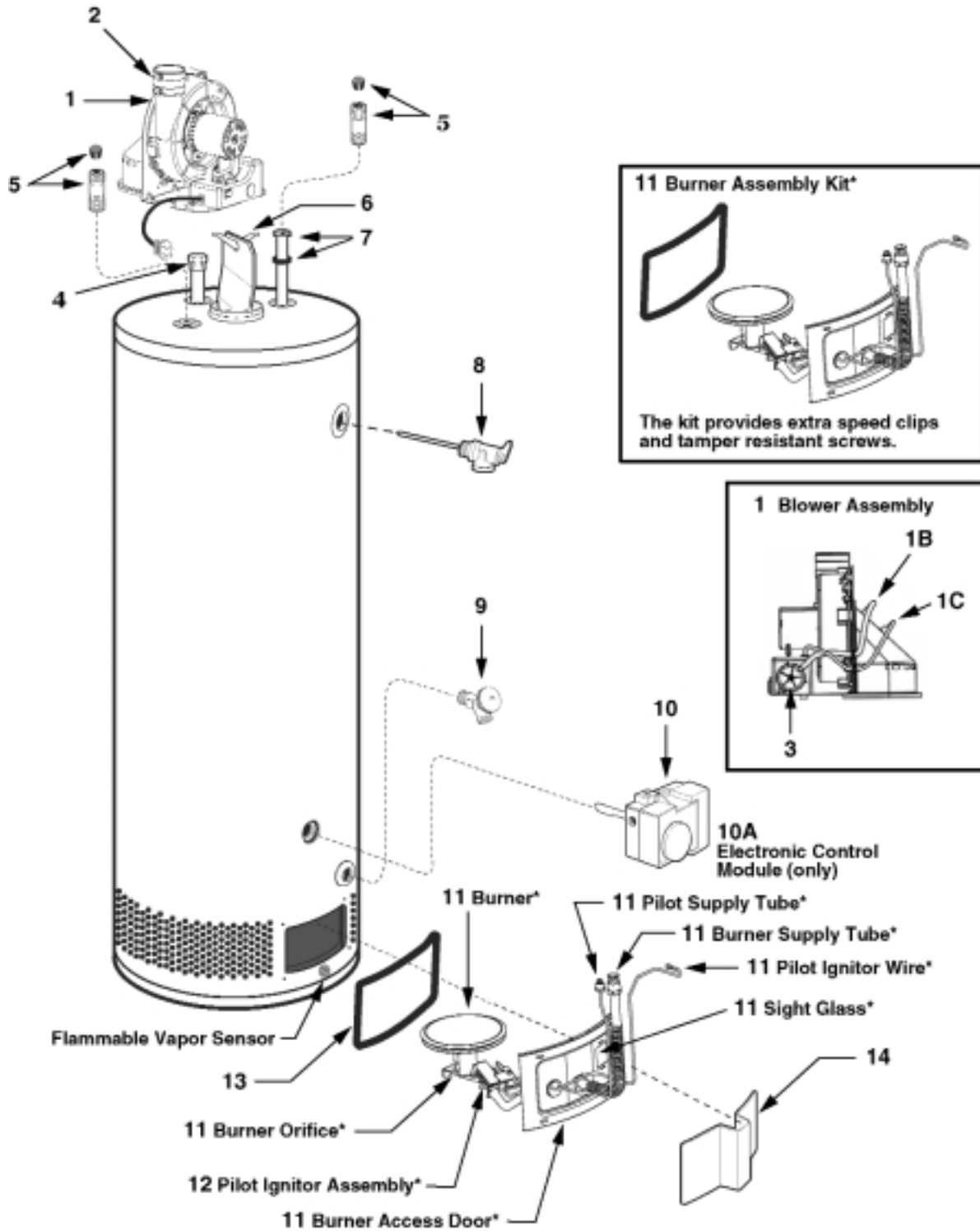


Ref. No.	Part Description	Qty. Req.	Part Number
1.	Blower Assembly	1	AP13211
2.	Anode Rod	1	AP11525C
3.	Heat Trap Nipple (Hot)	1	AP13163-1
3.	Heat Trap Nipple (Cold)	1	AP13164-1
5.	Dip Tube with Gasket	1	AP13226A
6.	T & P Relief Valve	1	SP12575B
7.	Flue Baffle with Hanger	1	(NAT) AM40182 (LP) AM40427
8.	Drain Valve	1	SP12112S
9.	Gas Control (Thermostat)	1	(NAT) SP12556 (LP) SP12557
10.	Burner Assembly	1	(NAT) AM40195BA (LP) AM40448
11.	Pilot Ignitor Assembly	1	(NAT) SP12560B (LP) SP12049E
12.	Jacket Door	1	AM21658-2C
13.	Inner Door	1	AM27902-2

To place your order call 1-800-621-5622; fax 1-800-535-9538

Residential Replacement Parts List

POWERVENT (FVIR COMPLIANT) EFFECTIVE JANUARY 2006 40 AND 50 GALLON MODELS: NATURAL OR LP GAS



FOR PARTS CHART – SEE NEXT PAGE.

To place your order call 1-800-621-5622; fax 1-800-535-9538

Residential Replacement Parts List

POWERVENT (FVIR COMPLIANT)

EFFECTIVE JANUARY 2006

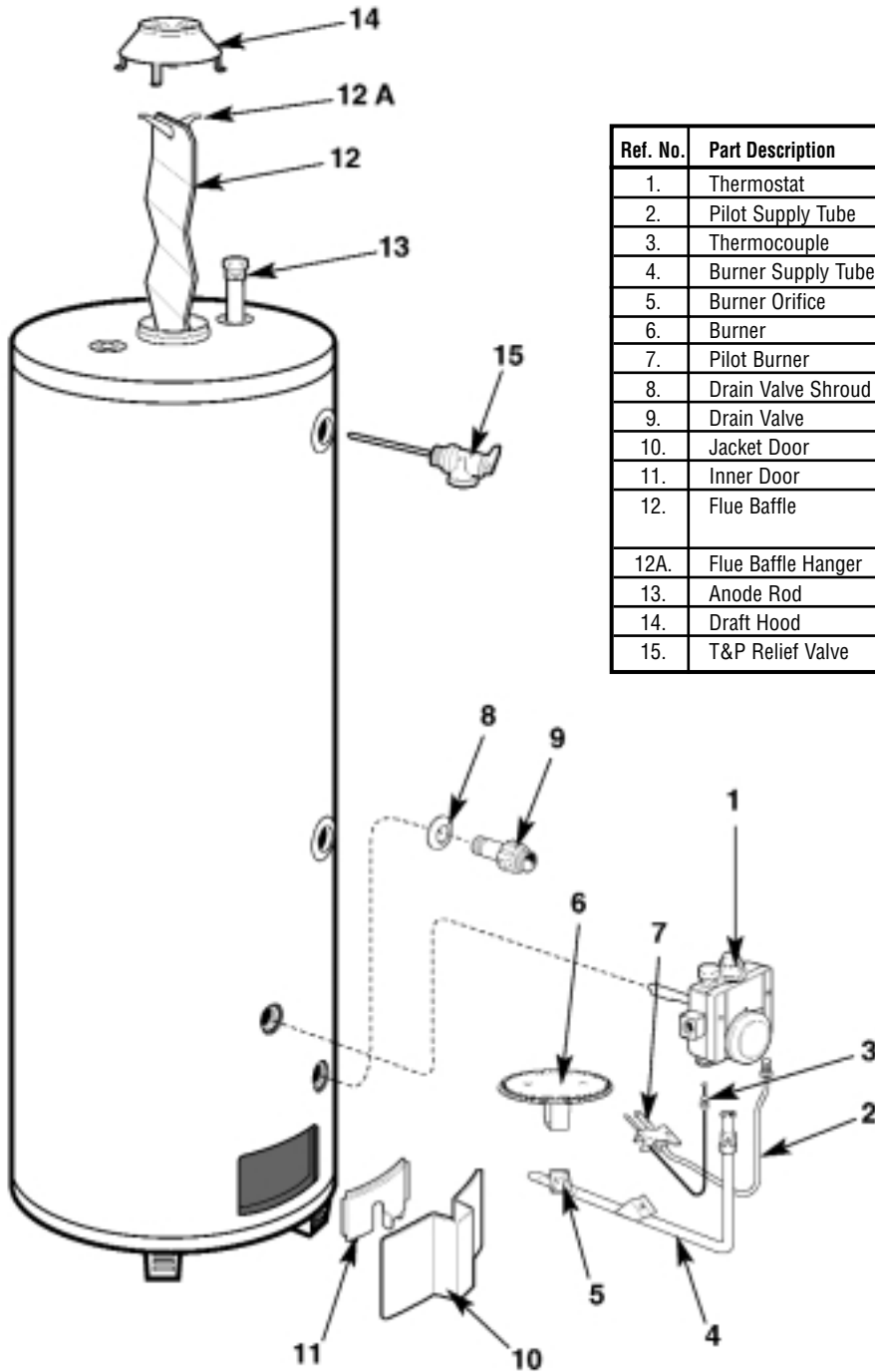
40 AND 50 GALLON MODELS: NATURAL OR LP GAS CONTINUED

Ref. No.	Part Description	Qty. Req.	Part Number
1.	Blower Assembly (Tall)	1	SP13416
	Blower Assembly (Short)	1	SP13605
1a.	Blower Gasket Kit (not shown)	1	SP20122
1b.	Hose – Pressure Switch	1	SP20120
1c.	Temperature Switch – 180 degree	1	SP20119
2.	Coupling	1	SP12638
3.	Pressure Switch (Tall)	1	SP20116
	Pressure Switch (Short)	1	SP20117
4.	Anode Rod	1	SP11309C
5.	Heat Trap Nipples	1	SP20003
6.	Flue Baffle with Hanger (Tall)	1	AM38876
	Flue Baffle with Hanger (Short)	1	AM40889
7.	Dip Tube with Gasket	1	AP11625R
8.	T&P Relief Valve (Tall)	1	SP8346
	T&P Relief Valve (Short)	1	AP12574E
9.	Drain Valve	1	SP12112G
10.	Gas Control (Thermostat and Electronic Module)		
	Control – NAT, 2.375 Shank, 160 degrees	1	SP13458
	Control – NAT, 1.500 Shank, 160 degrees	1	SP13458B
	Control – NAT, 1.500 Shank, 140 degrees	1	SP13458C
	Control – LP, 2.375 Shank, 160 degrees	1	SP13459
	Control – LP, 1.500 Shank, 160 degrees	1	SP13459B
10a.	Control – Electronics	1	SP20123
11.	Burner Assembly		
	40 Gallon NAT (42VP40)	1	AM40796
	40 Gallon NAT (42VP40S)	1	AM40798
	40 Gallon LP (42VP40P)	1	AM40801
	40 Gallon LP (42VP40SP)	1	AM40803
	50 Gallon NAT (42VP50)	1	AM40797
	50 Gallon NAT (42VP50S)	1	AM40799
	50 Gallon LP (42VP50P)	1	AM40802
	50 Gallon LP (42VP50SP)	1	AM40804
12.	Pilot Ignitor Assy Kit (Ignitor, Gasket, Screws)		
	Pilot Assy 16 in. Chamber Nat 1.875 Cavity	1	SP13418
	Pilot Assy 16 in. Chamber LP 1.875 Cavity	1	SP13419
	Pilot Assy 18 in. Chamber Nat 1.125 Cavity	1	SP13420
	Pilot Assy 18 in. Chamber LP 1.125 Cavity	1	SP13421
	Pilot Assy 18 in. Chamber Nat 1.875 Cavity	1	SP13422
	Pilot Assy 18 in. Chamber LP 1.875 Cavity	1	SP13423
	Pilot Assy 20 in. Chamber Nat 1.125 Cavity	1	SP13424
	Pilot Assy 20 in. Chamber LP 1.125 Cavity	1	SP13425
	13.	Inner Door Gasket Kit	1
14.	Jacket Door	1	AM39789-2C
	Flammable Vapor Sensor	None	Not a Replacement Part

To place your order call 1-800-621-5622; fax 1-800-535-9538

Residential Replacement Parts List

30 & 40 GALLON MODELS FOR MANUFACTURED HOUSING, WITH CONVERTIBLE GAS CONTROL FOR NATURAL OR LP GAS

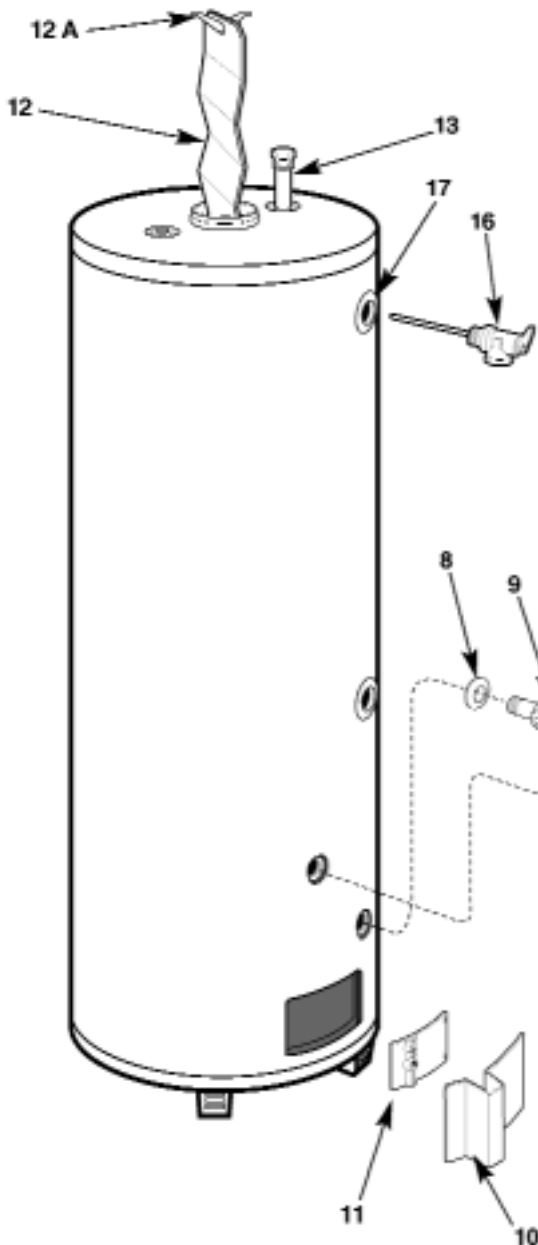


Ref. No.	Part Description	Qty. Req.	Part No.	
1.	Thermostat	1	SP9051B	
2.	Pilot Supply Tube	1	N/A	
3.	Thermocouple	1	SP6379E	
4.	Burner Supply Tube	1 Burner Assembly	(30 Gal) AM35050CT	
5.	Burner Orifice		(40 Gal) AM35050DT	
6.	Burner			
7.	Pilot Burner	1	SP8980B	
8.	Drain Valve Shroud	1	AP9167	
9.	Drain Valve	1	AP12039	
10.	Jacket Door	1	AM29254-4C	
11.	Inner Door	1	AM29501	
12.	Flue Baffle	1	(30 Gal) AM25812	
			(40 Gal) AM29068	
12A.	Flue Baffle Hanger	1	AM20622C	
13.	Anode Rod	1	SP11309C	
14.	Draft Hood	1	AM36352H	
15.	T&P Relief Valve	1	SP12574	

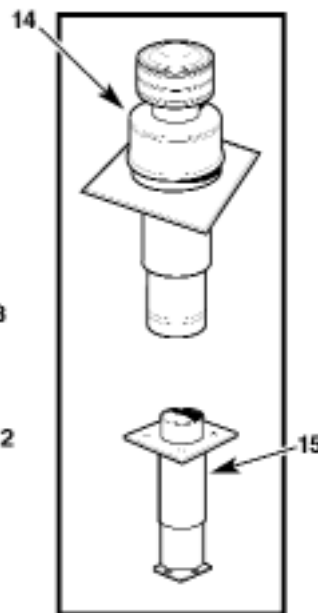
To place your order call 1-800-621-5622; fax 1-800-535-9538

Residential Replacement Parts List

30, 40 & 50 GALLON DIRECT VENT MODELS FOR MANUFACTURED HOUSING, WITH CONVERTIBLE GAS CONTROL FOR NATURAL OR LP GAS



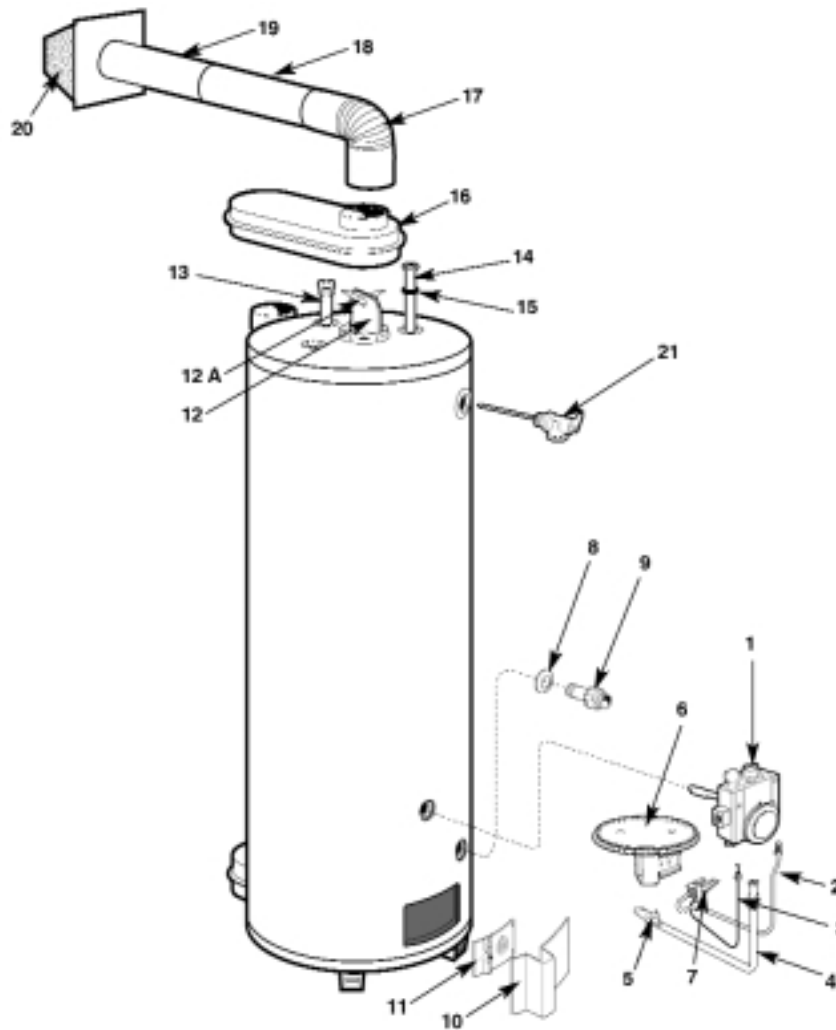
Ref. No.	Part Description	Qty. Req.	Part Number	
1.	Thermostat	1	SP9051B	
2.	Pilot Supply Tube	1	N/A	
3.	Thermocouple	1	SP6379R	
4.	Burner Supply Tube	1	(30 Gal) AM28804BHH	
5.	Burner Orifice	Burner Assembly	(40 Gal) AM38804CHH	
6.	Burner		(50 Gal) AM38804DNN	
7.	Pilot Burner	1	SP8384E	
8.	Drain Valve Shroud	1	AP9167	
9.	Drain Valve	1	SP12039	
10.	Jacket Door	1	AM35622	
11.	Inner Door	1	AM38692	
12.	Flue Baffle	1	AM29201	
12A.	Flue Baffle Hanger	1	AM20622C	
13.	Anode Rod	1	SP11309C	
14.	Roof Jack Assembly	1	As Required	
15.	Air Inlet Assembly	1	AP12019B	
16.	T&P Relief Valve	1	SP12574	
17.	Shroud, Relief Valve	1	AP9167	



To place your order call 1-800-621-5622; fax 1-800-535-9538

Residential Replacement Parts List

DIRECT VENT MODELS: NATURAL GAS ONLY



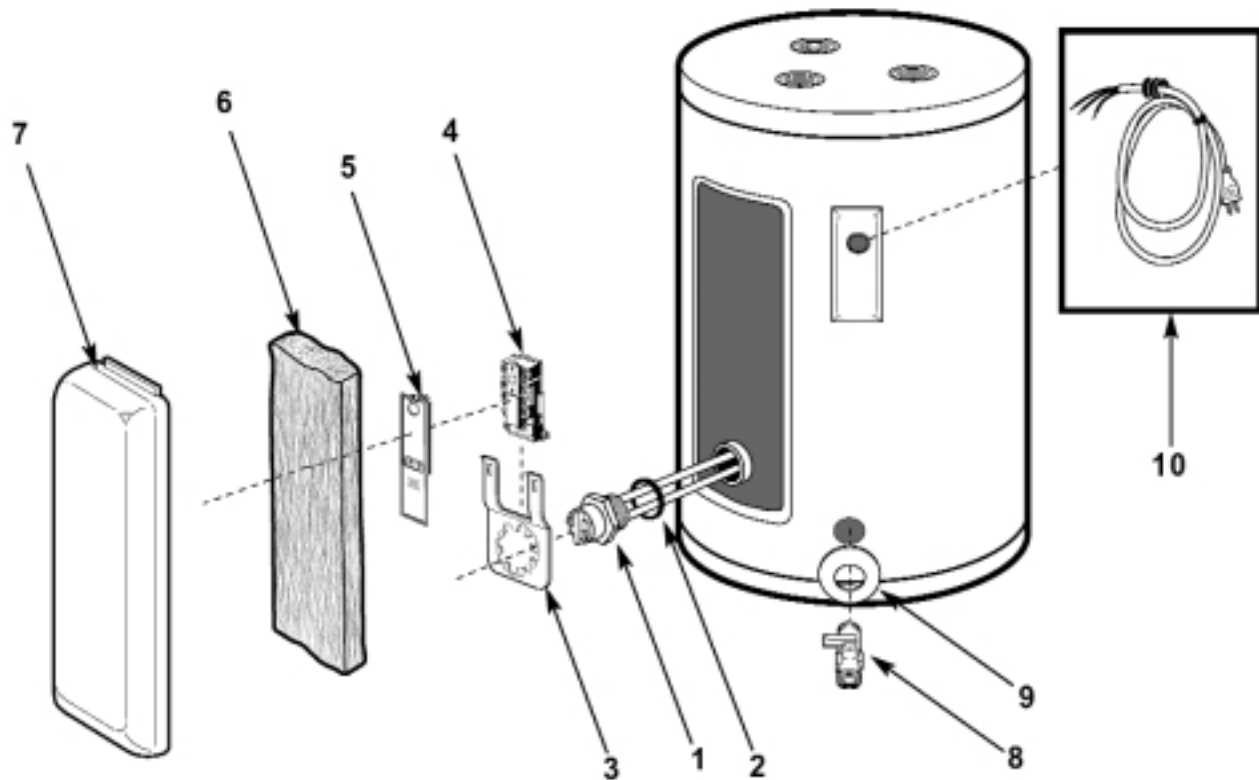
WATER HEATER PARTS DIAGRAMS

Ref. No.	Part Description	Qty. Req.	21DV Model Part Number	22DV Model Part Number	
1.	Thermostat	1	SP8555B	SP8555U	
2.	Pilot Supply Tube	1	N/A	N/A	
3.	Thermocouple	1	SP6379R	SP6379R	
4.	Burner Supply Tube	1 Burner Assembly	AM35651DY	AM40497EY	
5.	Burner Orifice				
6.	Burner				
7.	Pilot Burner	1	SP8980B	SP12380B	
8.	Drain Valve Shroud	1	AP9167	AP9167	
9.	Drain Valve	1	SP12039	AP12159C-1	
10.	Jacket Door	1	AM35622	AM35622	
11.	Inner Door	1	AM38692	AM40615	
12.	Flue Baffle	1 Assembly	AE35629D-2	AE35629D-2	
12A.	Flue Baffle Hanger				
13.	Anode Rod	1	SP11309C	SP11309C	
14.	Dip Tube	1	SP11248R	AP11251H-2	
15.	Dip Tube Gasket	1	AP6948-1	AP6948-1	
16.	Upper Air Inlet Box	1	AM35613-H	AM40290-H	
17.	Air Tube Elbow	1	AP10197-1	AP10197-1	
18.	Sliding Air Tube	1	AP11126B-1	AP11126B-1	
19.	Main Air Tube	1	AP11126C-1	AP11126C-1	
20.	Vent Terminal Cap	1	AP11498	AP11498	
21.	T&P Relief Valve	1	SP12574	SP8346	

To place your order call 1-800-621-5622; fax 1-800-535-9538

Residential Replacement Parts List

2 1/2 GALLON MODELS 120 OR 240 VOLT OPERATION

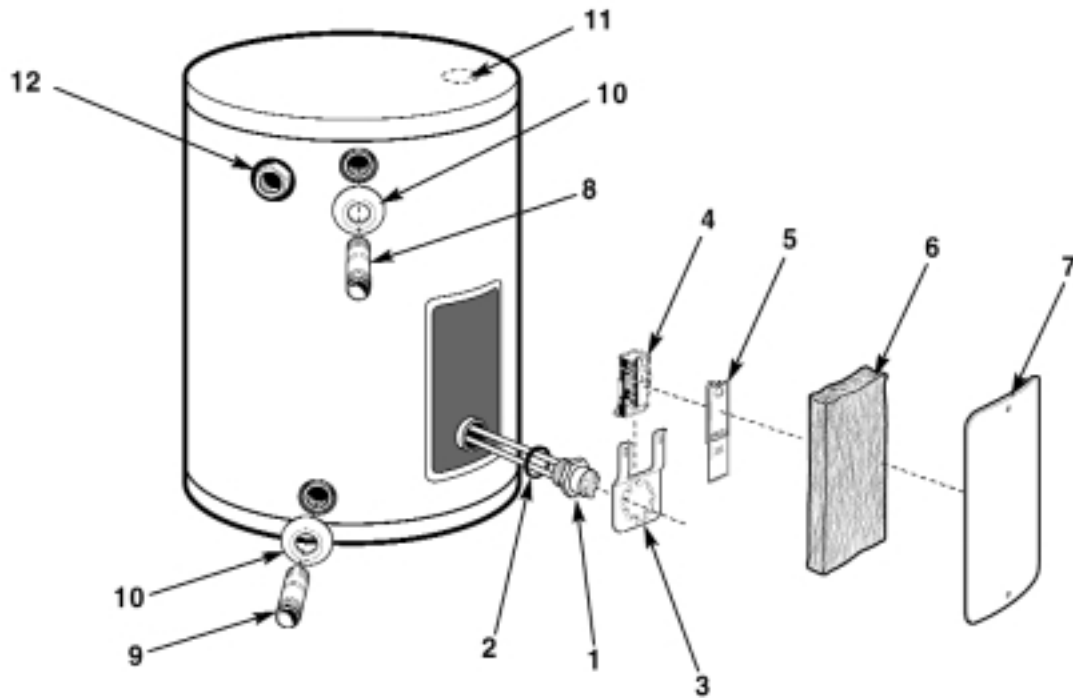


Ref. No.	Part Description	Qty. Req.	Part Number
1.	Heating Element	1	(120V) SP10868LH
			(240V) SP10869FH
2.	Heating Element Gasket	1	AP6708-9
3.	Thermostat Bracket	1	AM23557
4.	Thermostat	1	(120V) SP11700
			(240V) SP11699
5.	Thermostat Protective Cover	1	AP8413-9
6.	Cavity Insulation	1	AP9184-7
7.	Jacket Access Panel	1	AM38409-1C
8.	Drain Valve	1	(PVC) SP12039
			(Brass) SP12112G
9.	Drain Valve Shroud	1	AP2480-3
10.	Electrical Cord Set (120 VAC models ONLY)	1	AP10883-2

To place your order call 1-800-621-5622; fax 1-800-535-9538

Residential Replacement Parts List

6 – 20 GALLON MODELS 120 OR 240 VOLT OPERATION

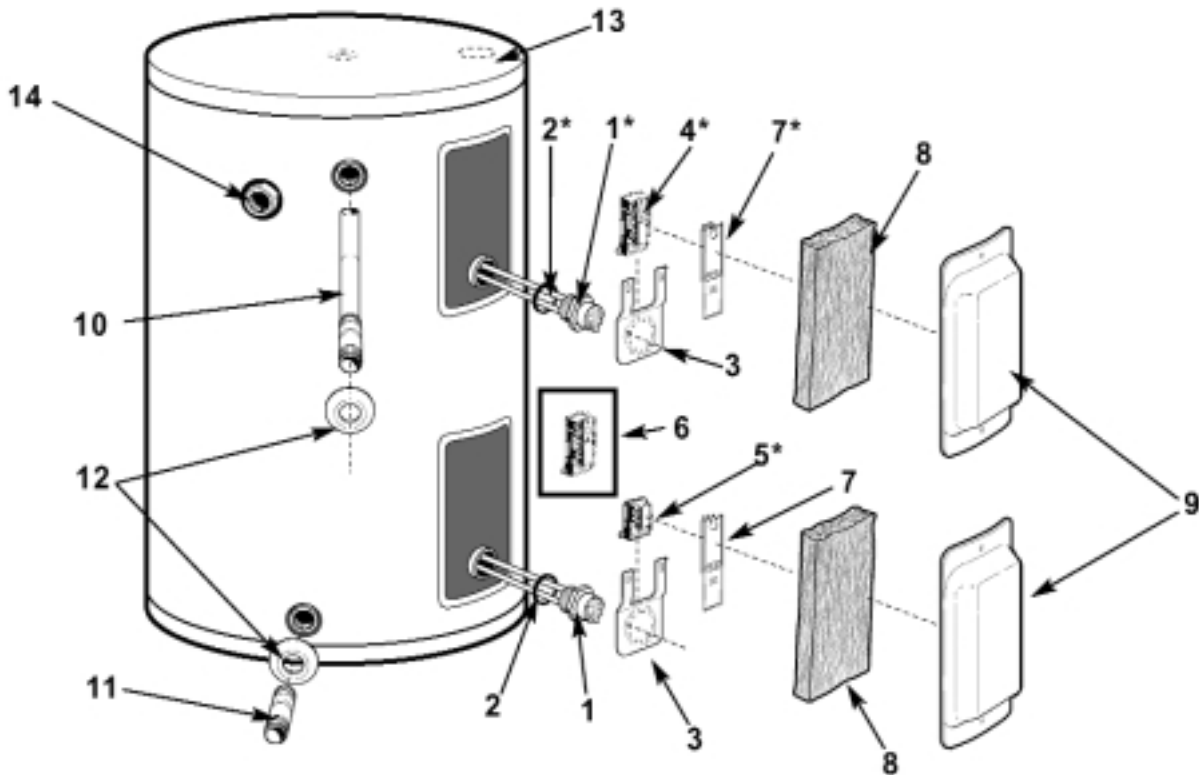


Ref. No.	Part Description	Qty. Req.	Part Number
1.	Heating Element	1	(120V) SP10874GH (240V) SP10552GH
2.	Heating Element Gasket	1	AP6708-9
3.	Thermostat Bracket	1	AM23557
4.	Thermostat	1	(120V) SP11700 (240V) SP11699
5.	Thermostat Protective Cover	1	AP8313-9
6.	Cavity Insulation	1	AP9184-7
7.	Jacket Access Panel	1	AM38409-1C
8.	Nipple, Hot Outlet	1	AP11623F
9.	Nipple, Cold Inlet	1	AP11623F
10.	Shroud	As Required	AP2480-3
11.	Anode Rod	1	SP11309C
12.	Snap Bushing	1	AP7733-2

To place your order call 1-800-621-5622; fax 1-800-535-9538

Residential Replacement Parts List

30 GALLON MODELS 120 OR 240 VOLT OPERATION

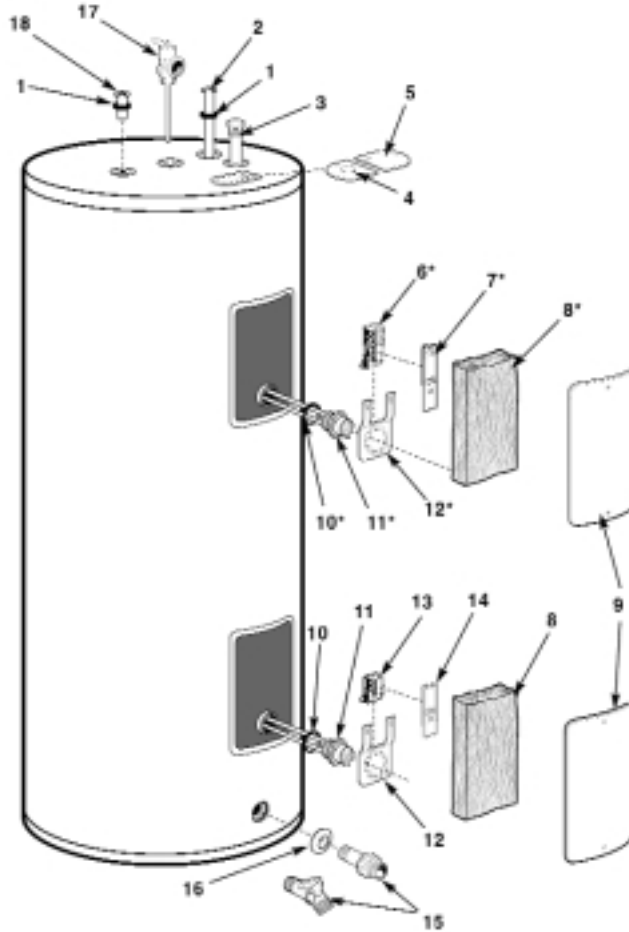


Ref. No.	Part Description	Qty. Req.	Part Number
1.	Heating Element	As Required	(120V) SP10874GH (240V) SP10552GH
2.	Heating Element Gasket	As Required	AP6708-9
3.	Thermostat Bracket	As Required	AM23557
4.	Thermostat, Upper (on double element models only)	1	SP11698
5.	Thermostat, Lower	1	(120V) SP11700 (240V) SP11695
6.	Thermostat (single element models only)	1	(120V) SP11700 (240V) SP11699
7.	Thermostat Protective Cover	As Required	AP8313-9 (Double element upper and Single element lower) AP8314-9 (Double element lower)
8.	Cavity Insulation	As Required	AP9184-7
9.	Jacket Access Panel	As Required	AM38409-1C
10.	J-Tube, Hot Outlet	1	AP8877E-12
11.	Nipple, Cold Inlet	1	AP11623F
12.	Shroud	As Required	AP2480-3
13.	Anode Rod	1	(5 Year) SP11309C (10 Year) SP11526C
14.	Snap Bushing	1	AP7733-2

To place your order call 1-800-621-5622; fax 1-800-535-9538

Residential Replacement Parts List

20 – 120 GALLON MODELS: SINGLE AND DOUBLE ELEMENT



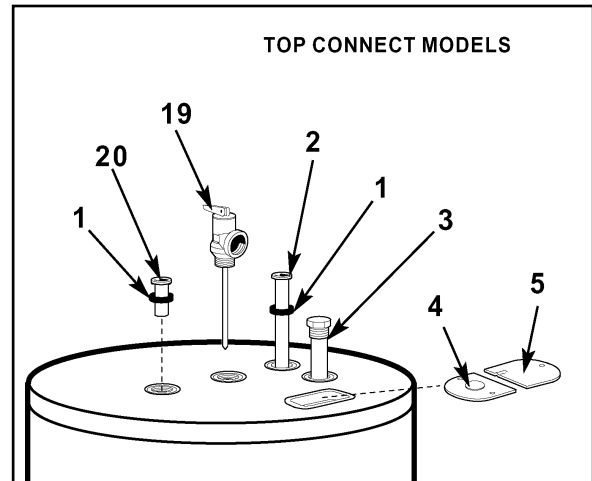
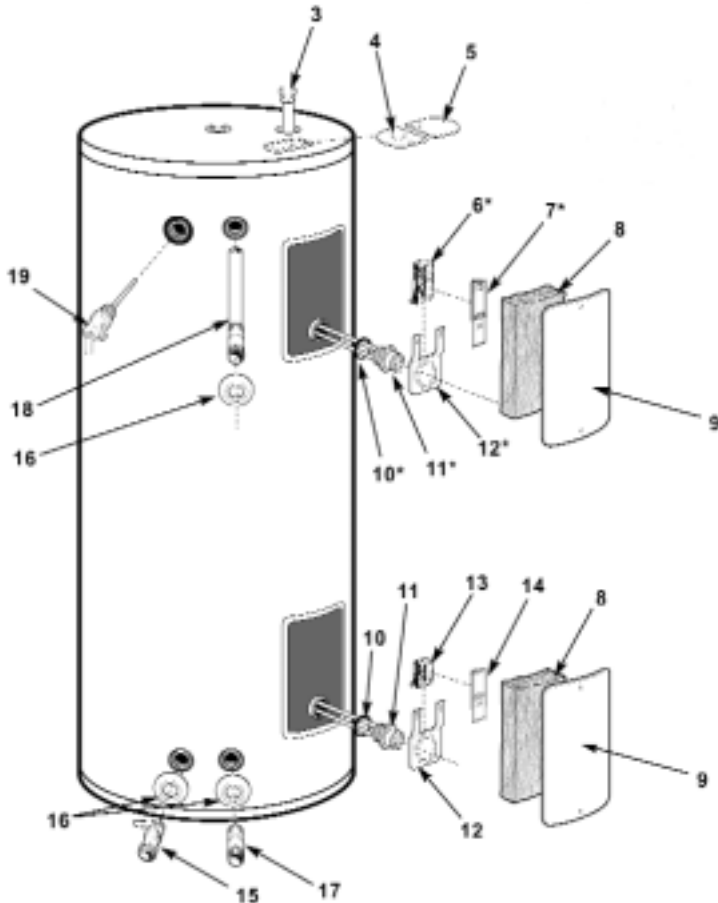
WATER HEATER PARTS DIAGRAMS

Ref. No.	Part Description	Qty. Req.	Part Number
1.	Dip Tube Gasket – 3/4"	1	AP6948-3
2.	Dip Tube – 3/4"	1	SP11248R
3.	Anode Rod	1	(5 Year, 44") SP11309C (10 Year, 44") SP11526C (10 Year, 58") SP11526Z
4.	Plate Cover	1	AM29892
5.	Junction Box Cover	1	AM29893
6.	Upper Thermostat (on double element models only)	1	SP11698
7.	Thermostat Protective Cover (on double element models only)	1	AP8313-9
8.	Cavity Insulation	2	AP9184-7
9.	Jacket Access Panel (Rheem Blue)	As Required	AM38409-1C
10.	Heating Element Gasket	As Required	AP6708-9
11.	Heating Element	As Required	(240V) SP10552MH (120V) SP10874GH
12.	Thermostat Bracket	As Required	AM23557
13.	Lower Thermostat	1	(DE) SP11695 (SE-240V) SP11699 (SE120V) SP11700
14.	Lower Thermostat Protective Cover	1	AP8314-9
15.	Drain Valve	1	(PVC) SP12039 AP12112G
16.	Drain Valve Shroud	1	AP2480-3
17.	Relief Valve	1	(Top) SP12574 (Side) SP8346
18.	Hot Outlet Heat Trap or Dip Cup Insert (HT Kit)	1	SP20003 or AP12992

To place your order call 1-800-621-5622; fax 1-800-535-9538

Residential Replacement Parts List

20 – 52 GALLON MODELS: SINGLE AND DOUBLE ELEMENT



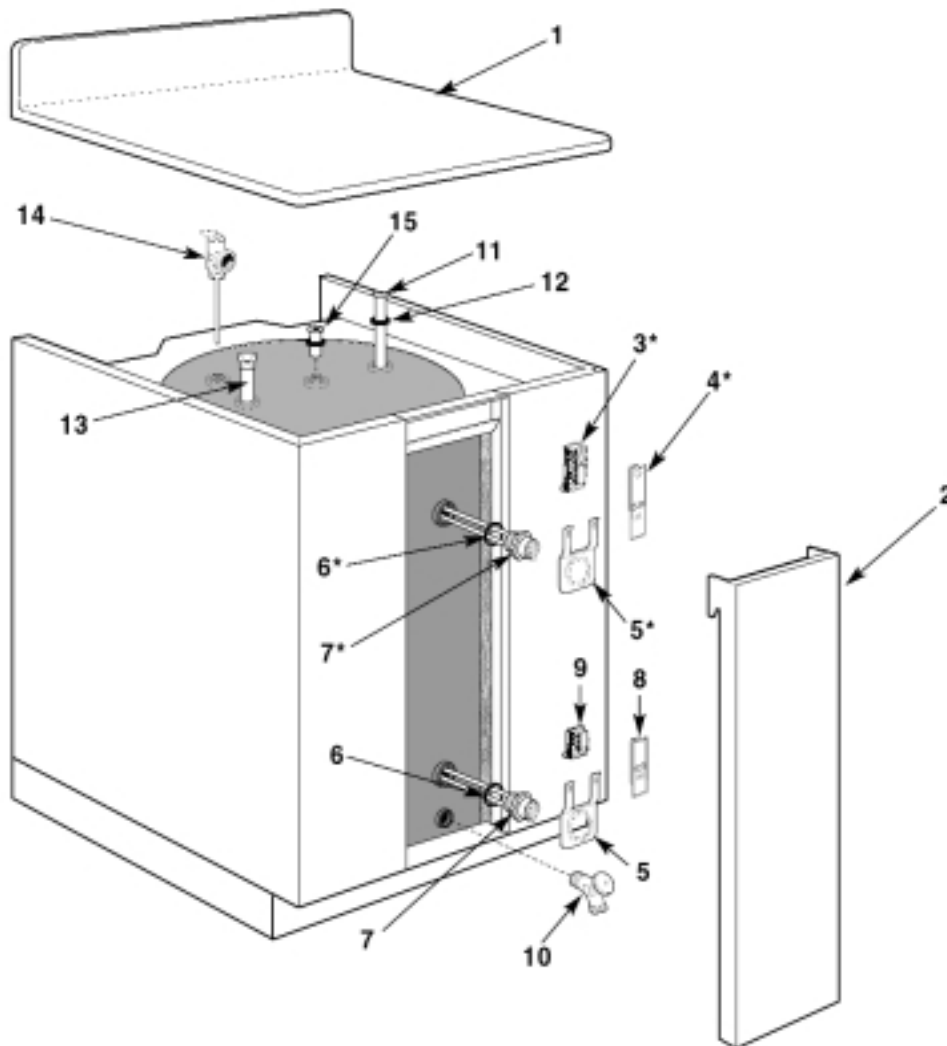
* These parts are supplied only on double element models.

Ref. No.	Part Description	Qty. Req.	Part Number
1.	Dip Tube Gasket (on top connect models only)	1	AP6948-1
2.	Dip Tube (on top connect models only)	1	SP11248R
3.	Anode Rod	1	SP11309C
4.	Plate Cover (hole)	1	AM29892
5.	Junction Box Cover (no hole)	1	AM29893
6.	Upper Thermostat (on double element models only)	1	SP11698
7.	Upper Thermostat Protective Cover (on double element models only)	1	AP8313-9
8.	Cavity Insulation	2	AP9184-7
9.	Jacket Access Panel	As Required	AM38409-1C
10.	Heating Element Gasket	As Required	AP6708-9
11.	Heating Element	As Required	(240V) SP10552MH (120V) SP10874GH
12.	Thermostat Bracket	As Required	SP23557
13.	Lower Thermostat	1	(DE) SP11695 (SE-240V) SP11699 (SE120V) SP11700
14.	Lower Thermostat Protective Cover	1	AP8314-9
15.	Drain Valve	1	SP12039
16.	Drain Valve Shroud	As Required	AP2480
17.	Cold Inlet Nipple (on side connect models only)	1	AP8397N-8
18.	Hot Outlet Tube (on side connect models only)	1	(71V20S) AP8877K-12 (71V30D) AP8877K-12 (71V40D) AP8877J-12 (71V50D) AP8877J-12
19.	Relief Valve	1	(Top) SP12574 (Side) SP8346
20.	Hot Outlet Heat Trap or Dip Cup Insert	1	AP12992

To place your order call 1-800-621-5622; fax 1-800-535-9538

Residential Replacement Parts List

40 GALLON TABLE TOP MODELS SINGLE AND DOUBLE ELEMENT

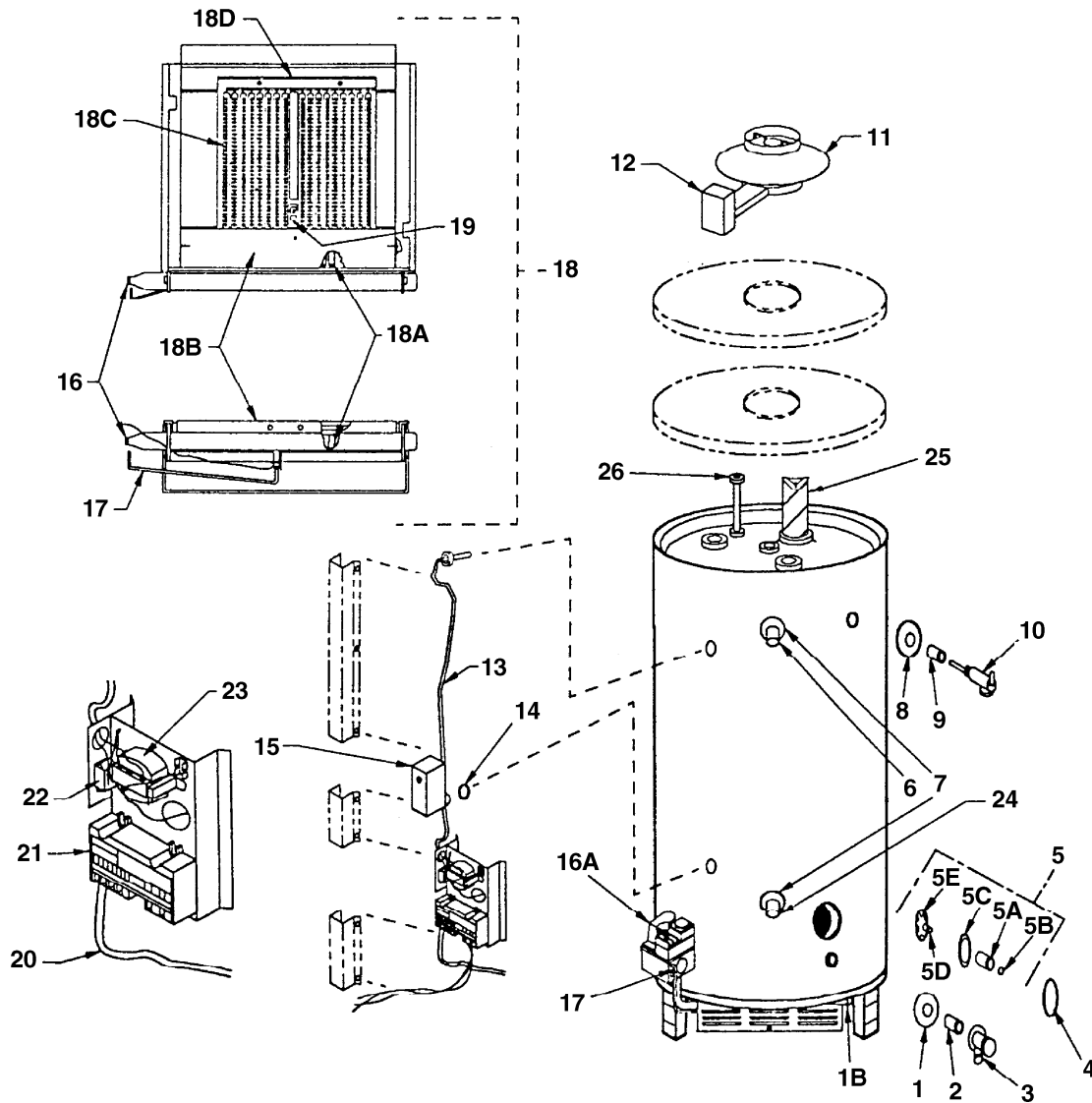


Ref. No.	Part Description	Qty. Req.	Part Number	
1.	Splash Top	1	AP68410-5	
2.	Front Center Panel	1	AM28677-A	
3.	Upper Thermostat (on double element models only)	1	SP11698	
4.	Upper Thermostat Protective Cover (on double element models only)	1	AP8313-9	
5.	Thermostat Bracket	As Required	AM23557	
6.	Heating Element Gasket	As Required	AP6708-9	
7.	Heating Element	As Required	SP10552MH	
8.	Lower Thermostat Protective Cover	1	AP8314-9	
9.	Lower Thermostat	1	(DE) SP11695 (SE) SP11699	
10.	Drain Valve	1	AP12112L	
11.	Dip Tube	1	SP11248P	
12.	Dip Tube Gasket	2	AP6948-1	
13.	Anode	1	AP11525V	
14.	Relief Valve	1	SP12574	
15.	Hot Outlet Heat Trap or Dip Cup Insert (Kit)	1	SP20003	

To place your order call 1-800-621-5622; fax 1-800-535-9538

Commercial Replacement Parts List

UNIVERSAL SPARK IGNITION: NATURAL OR LP GAS



Ref. No.	Part Description	Qty. Req.	Part Number
1.	Drain Valve Bushing	1	AP7733-2
2.	Drain Valve Nipple	1	
3.	Drain Valve	1	AP12231B-1
4.	Jacket Handhole Cover	1	AM3459-H
5.	Tank Handhole Assembly	1	SP22079
5A.	Yoke	1	AS24346-1
5B.	Nut	1	AP2247-1
5C.	Gasket	1	AP5886-1
5D.	Stud	1	AP5983-2
5E.	Seal Plate	1	AS22078-2
6.	Outlet Nipple Assembly	1	call for size
7.	Inlet/Outlet Bushing	2	AP12421
8.	Relief Valve Bushing	1	AP9078
9.	Relief Valve Nipple	1	
10.	Relief Valve	1	SP9013D
11.	Auto-Vent Damper Assembly	1	***
12.	Damper Motor	1	AP11617-1
13.	Damper Drive Wiring	1	AP11314C-3
14.	T'stat/T'well Bushing	1	AP9078-1

***Call for application

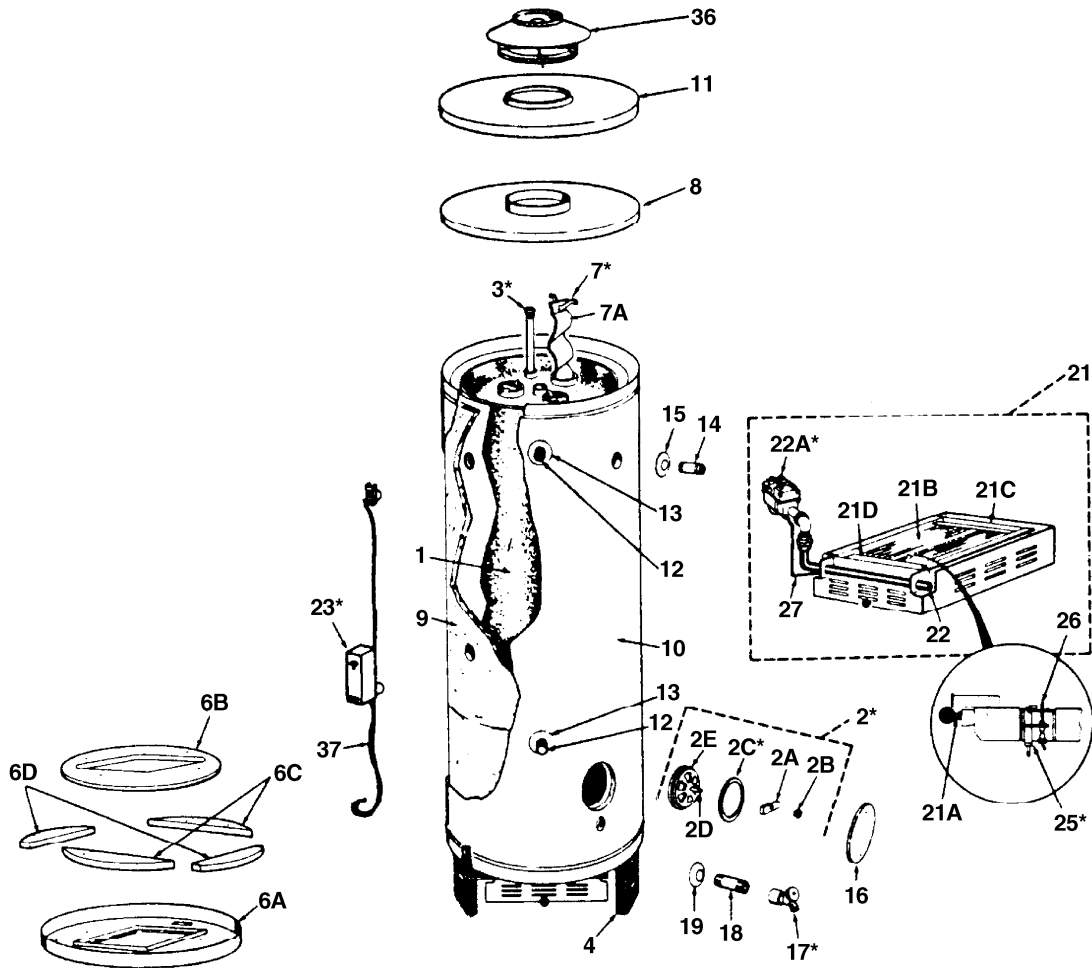
Ref. No.	Part Description	Qty. Req.	Part Number
15.	Thermostat Hi-Limit	1	SP11798B
16.	Gas Manifold Assembly	1	
16A.	Gas Valve (NAT)	1	SP10963D
16A.	Gas Valve (LP)	1	SP10963E
17.	Pilot Tube (straight)	1	AP7033L-14
18.	Gas Manifold Assembly	1	
18A.	Burner Orifice	1	Sold as burner tray assembly
18B.	Burner Bracket (front)	1	Call for application
18C.	Burner	1	
18D.	Burner Bracket (rear)	1	
19.	Pilot (NAT)	1	SP10764B
19.	Pilot (LP)	1	SP10764C
20.	Ignition Cable	1	SP8828D
21.	Ignition Control	1	SP10763B
22.	On/Off Switch	1	AP8825
23.	Transformer	1	SP10550B
24.	Inlet Nipple	1	call for size
25.	Flue Baffle & Hanger	1	***
26.	Anode	As Required	AP11524C

***Call for application

To place your order call 1-800-621-5622; fax 1-800-535-9538

Commercial Replacement Parts List

“R” AND “RF” SERIES: NATURAL OR LP GAS



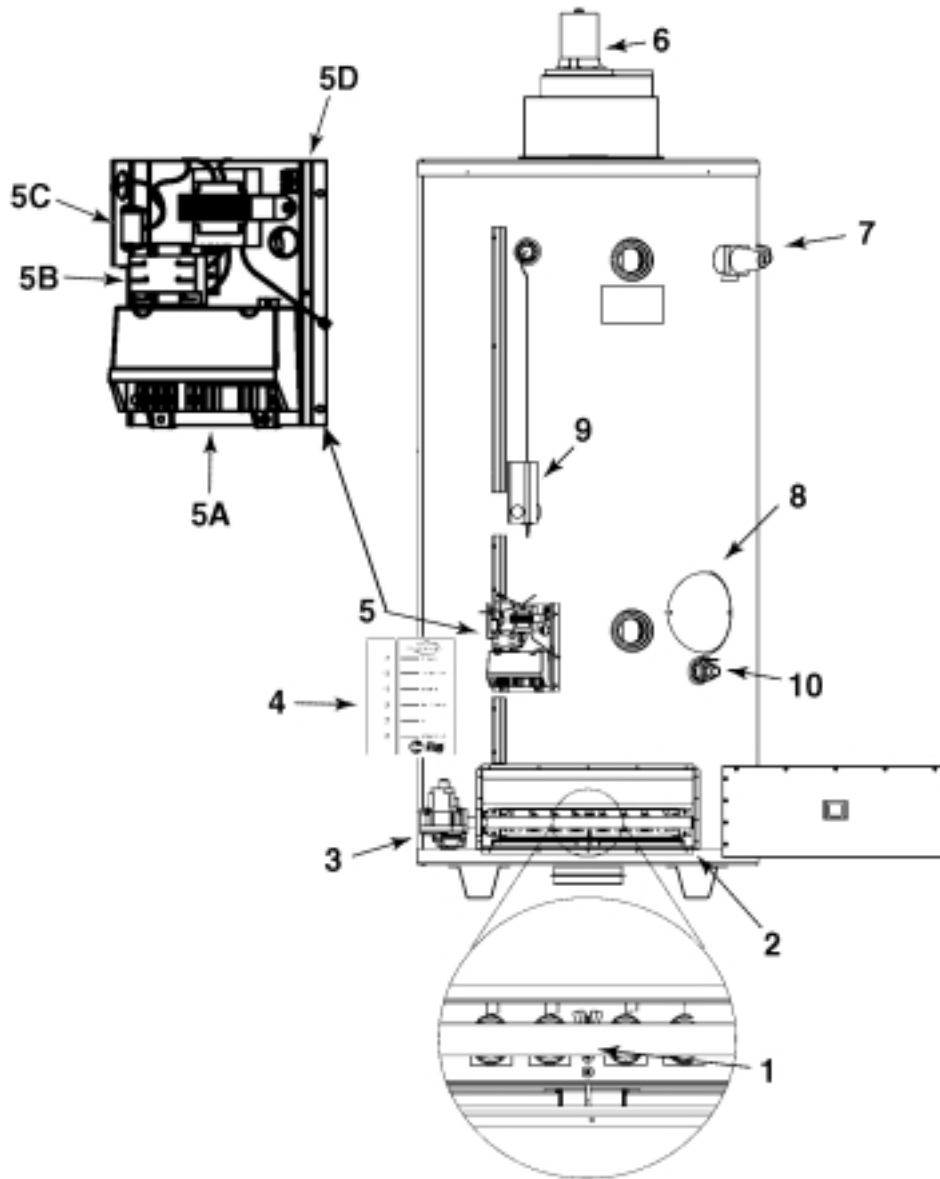
Ref. No.	Part Description	Qty. Req.	Part Number
1.	Tank Assembly	1	
2.	Tank Handhole Assembly	1	SP22079
2A.	Yoke	1	AS24346-1
2B.	Hex Nut	1	AP2247-1
2C.	Gasket	1	AP5886-1
2D.	Stud	1	AP5983-2
2E.	Seal Plate	1	AS22078-2
3.	Anode Assembly	As Required	AP11524C
4.	Leg Assembly	3	
6A.	Bottom Pan Assembly	1	
6B.	Inner Floor Shield	1	
6C.	Insulation Block - Front & Rear	2	
6D.	Insulation Block - Sides	2	
7.	Flue Baffle Assembly	1	
7A.	Flue Baffle	1	
8.	Assembly - Collector Pan	1	
9.	Jacket Insulation	1	
10.	Jacket	1	
11.	Top Pan	1	
12.	Nipple - Inlet & Outlet	2	
13.	Shroud - Inlet & Outlet	2	
14.	Nipple - Relief Valve	1	
15.	Shroud - Relief Valve	1	
16.	Cover - Jacket Handhole	1	AM3459-H
17.	Drain Valve	1	SP6070S

Ref. No.	Part Description	Qty. Req.	Part Number
18.	Nipple Drain Valve	1	
19.	Shroud - Drain Valve	1	
N/S	Pipe Plug	1	
21.	Assembly - Burner Tray & Manifold	1	Call for application
21A.	Burner Orifice (NAT)	1	
21A.	Burner Orifice (LP)	1	
21B.	Burner	1	AP11537
21C.	Bracket - Burner Holddown (rear)	1	
21D.	Bracket - Burner Holddown (front)	1	
22.	Gas Manifold Assembly		
22A.	Gas Valve (NAT)	1	SP5870E SP5870F
22A.	Gas Valve (LP)	1	SP5870C
23.	Thermostat/Hi Limit (modify)	1	SP8824B SP11799B
N/S	Shroud - Thermostat & Thermowell	2	
25.	Pilot (NAT)	1	SP10399B
25.	Pilot (LP)	1	SP10399C
26.	Thermopile	1	SP10100B
27.	Pilot Tube (straight)	1	AP7033L-14
36.	Assembly - Vent Hood	1	
37.	Wire Harness	1	AP11327-5

To place your order call 1-800-621-5622; fax 1-800-535-9538

Commercial Replacement Parts List

VENTMASTER COMMERCIAL GAS MODEL

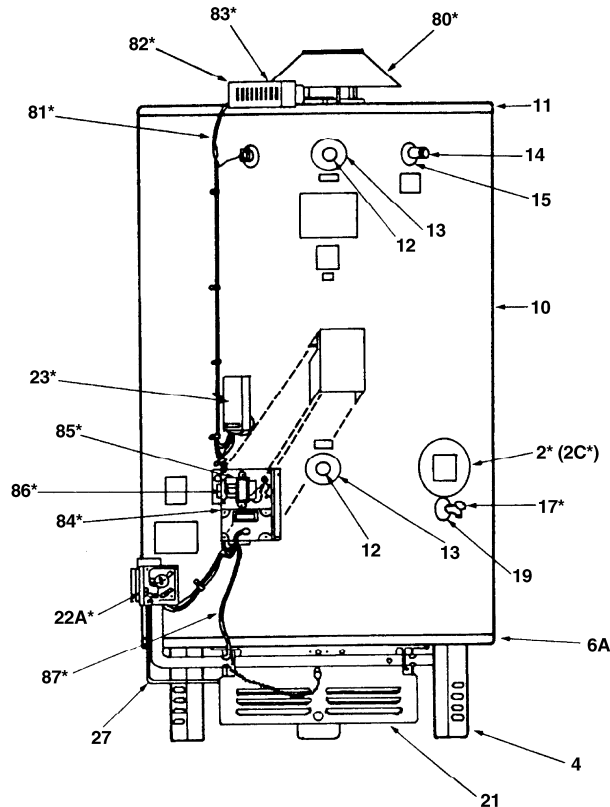


Ref. No.	Part Description	Qty. Req.	Part Number	
1.	Pilot Ignitor Assembly	1	SP13185	
2.	Burner Assembly	1	Call for Quote	
3.	Gas Valve	1	SP13714	
4.	System Sentinel Panel	1	AM38875	
5.	Ignition Control Assembly	1	AM40782	
5A.	Control Module	1	SP10763B	
5B.	Relay	1	SP12732	
5C.	On/Off Switch	1	AP8825	
5D.	Transformer	1	SP10550B	
6.	Blower Assembly	1	AP13192	
7.	Temperature & Pressure Relief Valve	1	SP9013D	
8.	Hand Hole Cover Gasket	1	AP5886-1	
9.	Thermostat	1	SP11798	
10.	Drain Valve	1	AP12231B-1	

To place your order call 1-800-621-5622; fax 1-800-535-9538

Commercial Replacement Parts List

“RD”, “RCD”, & “RFD” SERIES: NATURAL OR LP GAS



Ref. No.	Part Description	Qty. Req.	Part Number
2.	Tank Handhole Assembly	1	SP22079
2A.	Yoke	1	AS24346-1
2B.	Hex Nut	1	AP2247-1
2C.	Gasket	1	AP5886-1
2D.	Stud	1	AP5983-2
2E.	Seal Plate	1	AP11262B-1
3.	Anode Assembly	1	AP11524BD
4.	Leg Assembly	3	AE-23468-1H
N/S	Inner Ring Assembly	1	
6A.	Bottom Pan Assembly	1	
6B.	Inner Floor Shield	1	
6C.	Insulation Block - Front & Rear	2	
6D.	Insulation Block - Sides	2	
7.	Flue Baffle Assembly	1	
8.	Collector Pan Assembly	1	
9.	Jacket Insulation	1	
10.	Jacket	1	
11.	Top Pan	1	
12.	Inlet & Outlet Nipple	2	AP10009-4
13.	Inlet & Outlet Shroud	2	AP6334-1
14.	Relief Valve Nipple	1	AP10003
15.	Relief Valve Shroud	1	AP9167
16.	Jacket Handhole Cover	1	AM3459-H
17.	Drain Valve	1	SP6070E
18.	Drain Valve Nipple	1	
19.	Drain Valve Shroud	1	AP9167
N/S	Pipe Plug	1	
21.	Burner Tray & Manifold Assembly	1	

***Call for application

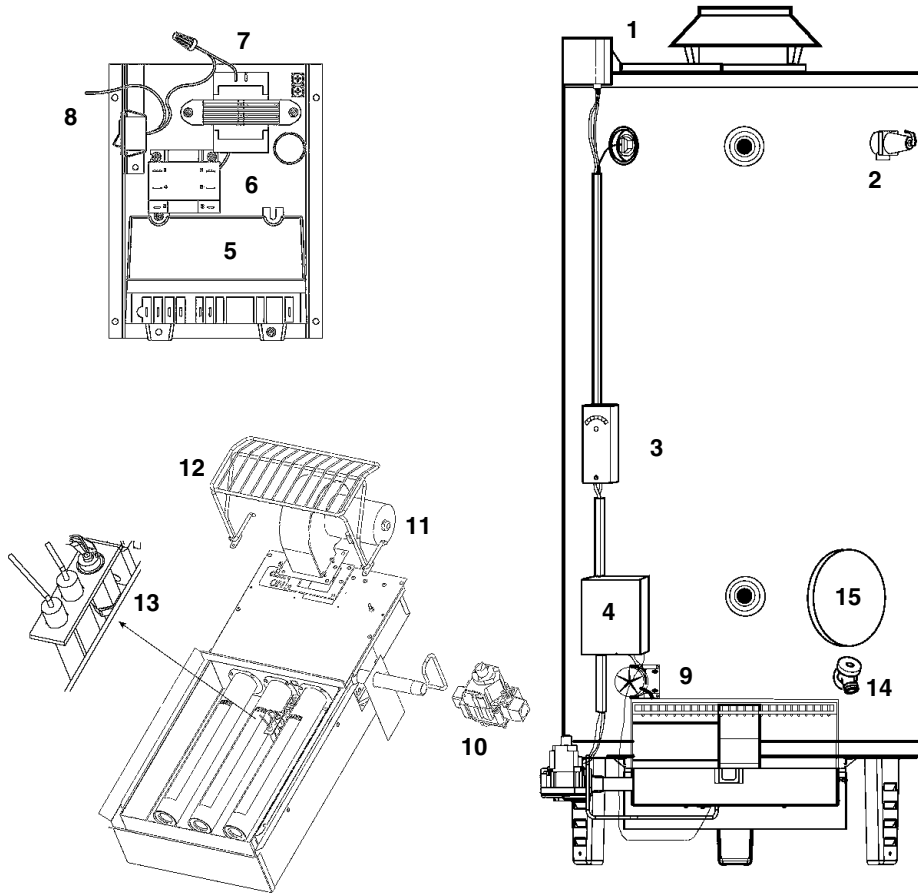
Ref. No.	Part Description	Qty. Req.	Part Number
21A.	Burner Orifice (NAT)	1	
21A.	Burner Orifice (LP)	1	
21B.	Burner	1	AP11537
21C.	Burner Holddown Bracket (rear)	1	
21D.	Burner Holddown Bracket (front)	1	
22.	Gas Manifold Assembly	1	
22A.	Gas Valve (NAT)	1	SP10963D
22A.	Gas Valve (LP)	1	SP10963E
23.	Thermostat/Hi Limit (jumper removed)	1	SP11798B
N/S	T'stat & T'well Shroud	2	AP7733-2
25.	Pilot (NAT)		
	Spark Ignition	1	SP10764B
	Standing Pilot	1	SP10399B
25.	Pilot (LP)		
	Spark Ignition	1	SP10764C
	Standing Pilot	1	SP10399C
27.	Pilot Tube	1	AP70332-14
80.	Automatic Vent Damper Assembly		
81.	Damper Drive Wiring Assembly	1	AP11314C-1
82.	Damper Motor		
83.	Switch Micro		
84.	Ignition Control	1	SP10763B
85.	Transformer	1	SP10550B
86.	On/Off Switch	1	AP8825
87.	Ignition Cable	1	SP88280

***Call for application

To place your order call 1-800-621-5622; fax 1-800-535-9538

Commercial Replacement Parts List

LOW NOX COMMERCIAL GAS MODEL

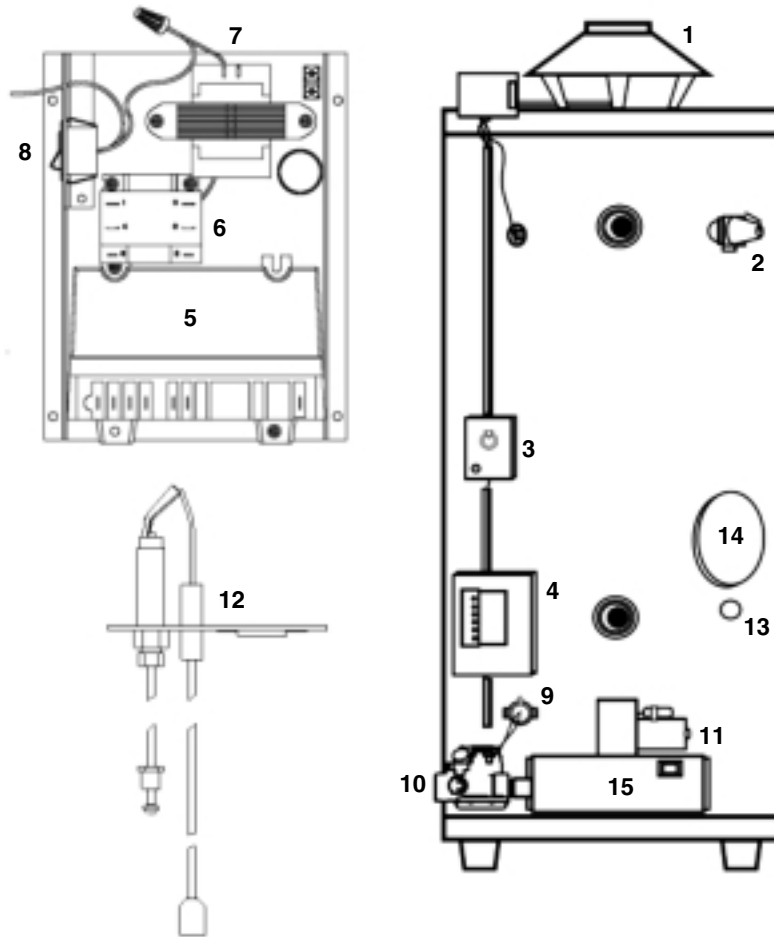


Ref. No.	Part Description	Qty. Req.	Part Number	
1.	Vent Damper Assembly	1	Call for quote	
	Damper Drive Motor	-	SP11617	
2.	Temperature & Pressure Relief Valve	1	BTU Dependent	
3.	Thermostat Hi-Limit	1	SP11798B	
4.	System Sentinel Panel	1	AM38875	
5.	Ignition Control	1	SP10763B	
6.	Relay	1	SP12732	
7.	Transformer	1	SP10550B	
8.	On/Off Switch	1	AP8825	
9.	Pressure Switch	1	BTU Dependent	
10.	Gas Valve (NAT)	1	SP12541B	
	Gas Valve (NAT 400,000 BTU Only)	-	SP12543	
11.	Blower Motor	1	BTU Dependent	
12.	Blower Motor Protection Cage	1	AP12712	
13.	Pilot Ignitor (NAT 200K and below)	1	AM39758	
	Pilot Ignitor (NAT above 200K)	-	AM40023	
14.	Drain Valve	1	AP12231B-1	
15.	Hand Hole Gasket	1	AP5886-1	

To place your order call 1-800-621-5622; fax 1-800-535-9538

Commercial Replacement Parts List

XTREME COMMERCIAL GAS MODEL



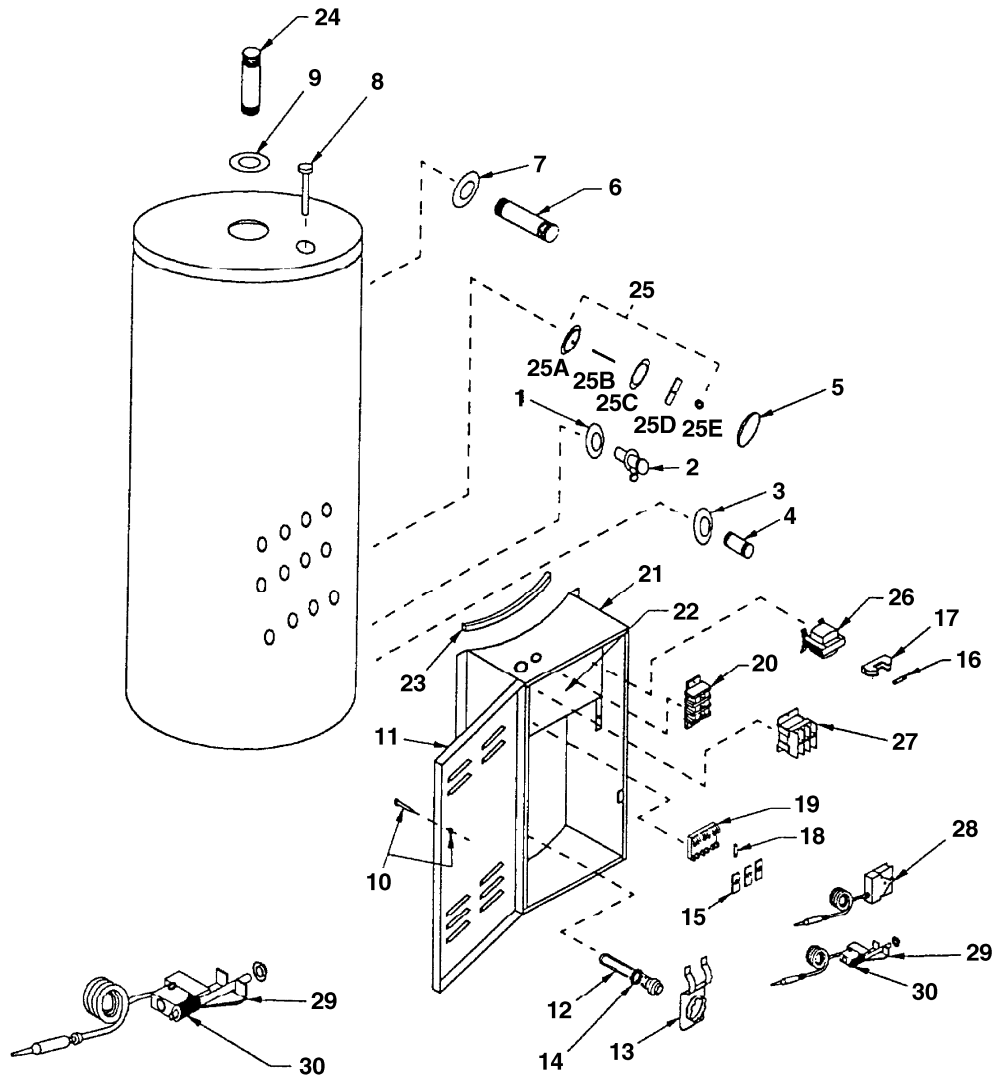
WATER HEATER PARTS DIAGRAMS

Ref. No.	Part Description	Qty. Req.	Part Number	
1.	Vent Damper Assembly	1	AM39825	
2.	Temperature & Pressure Relief Valve	1	BTU Dependent	
3.	Thermostat Hi-Limit	1	AP12015-1	
4.	System Sentinel Panel	1	AM38875	
5.	Ignition Control	1	SP10763B	
6.	Relay	1	SP12732	
7.	Transformer	1	SP10550B	
8.	On/Off Switch	1	AP8825	
9.	Pressure Switch	1	SP12576 / SP13698	
10.	Gas Valve (NAT)	1	SP12866N	
	Gas Valve (LP)	1	SP12866P	
11.	Blower Motor	1	SP12525	
-	Blower Motor Protection Cage	1	AP13017	
12.	Pilot Ignitor (NAT)	1	SP12237	
	Pilot Ignitor (LP)	1	SP12305	
13.	Drain Valve	1	AP12231B-1	
14.	Hand Hole Gasket	1	AP5886-1	
15.	Burner Assembly	1	Call for quote	

To place your order call 1-800-621-5622; fax 1-800-535-9538

Commercial Replacement Parts List

208, 240, 277 OR 480 VOLT OPERATION – 50, 85, 120 GALLON MODELS: IMMERSION THERMOSTAT



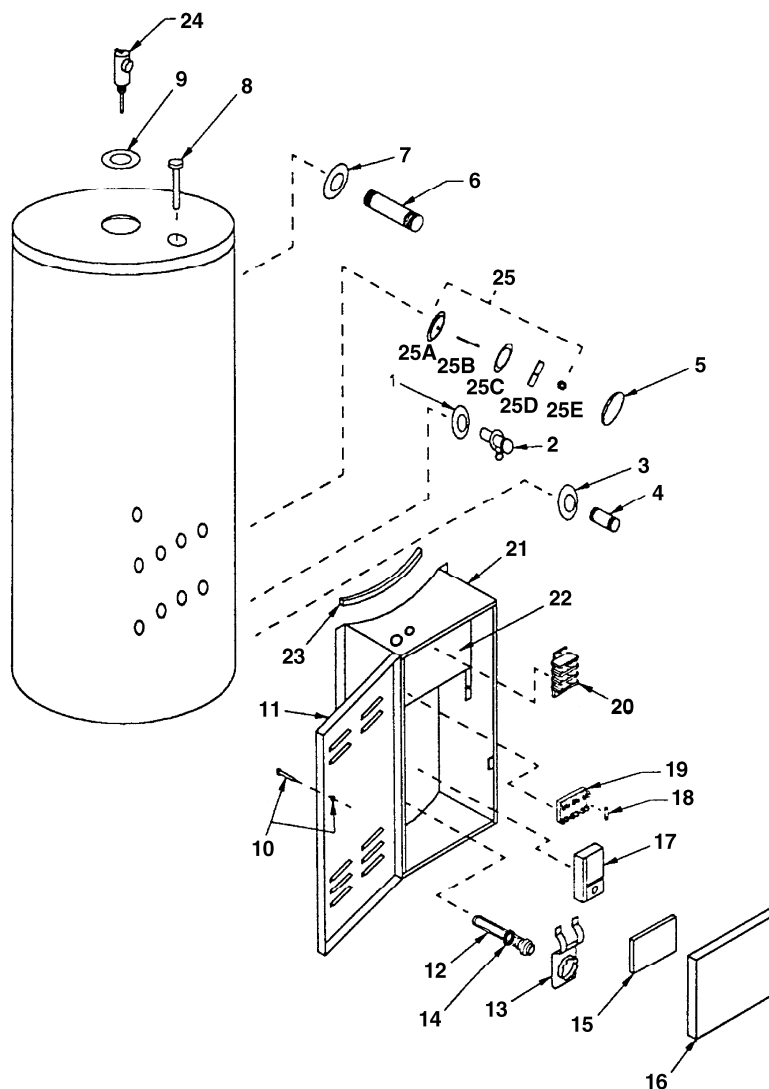
Ref. No.	Part Description	Qty. Req.	Part Number
1.	Drain Valve Shroud	1	AP7733-2
2.	Drain Valve	1	AP12231C-1
3.	Inlet Nipple Shroud	1	AP12421
4.	Inlet Nipple	1	AP11179B
5.	Jacket Handhole Cover	1	AM3459-H
6.	Outlet Nipple	1	AP11179C
7.	Outlet Nipple Shroud	1	AP12421
8.	Anode	1	SP11524C
9.	T&P Valve Shroud	1	AP7733-2
10.	Captive Screw with Retainer	1	AP8162B-1 AP8162-1
11.	Door	1	
12.	Element	As Required	
13.	Thermostat Retainer	1	
14.	Element Gasket	As Required	AP6708-9
15.	Copper Connectors	3	AM25285
16.	Transformer Fuse	1	SP8264R
17.	Transformer Fuse Block	1	SP8889
18.	Fuse (goes with SP8311E)	3	SP8264M
	Fuse (goes with SP11112)	3	SP8264K

Ref. No.	Part Description	Qty. Req.	Part Number
19.	Fuse Block	1	SP8311E
	Fuse Block (36, 45 & 54 KW)	1	SP11112
20.	Terminal Block	1	SP10260
21.	Control Encl Frame	1	
22.	Controls Mount Panel	1	
23.	Seal Strip	1	
24.	Outlet Nipple	1	AP11179C
25.	Handhole Assembly	1	SP22079
25A.	Seal Plate	1	AS22078-2
25B.	Stud	1	AP5983-2
25C.	Handhole Gasket	1	AP5886-1
25D.	Yoke	1	AS24346-1
25E.	Nut	1	AP2247-1
26.	Transformer	1	SP10006
27.	Contactor	1	SP12841
28.	Limit	1	
29.	Thermostat Bracket	1	
30.	Thermostat	1	SP11805
31.	Relief Valve N/S	1	SP9013E

To place your order call 1-800-621-5622; fax 1-800-535-9538

Commercial Replacement Parts List

208, 240, 277 OR 480 VOLT OPERATION – 50, 85, AND 120 GALLON MODELS: SURFACE MOUNTED THERMOSTAT



WATER HEATER PARTS DIAGRAMS

Ref. No.	Part Description	Qty. Req.	Part Number
1.	Drain Valve Shroud	1	AP7733-2
2.	Drain Valve	1	AP12231C-1
3.	Inlet Nipple Shroud	1	AP12421
4.	Inlet Nipple	1	AP11179B
5.	Jacket Handhole Cover	1	AM3459-H
6.	Outlet Nipple	1	AP11179C
7.	Outlet Nipple Shroud	1	AP12421
8.	Anode Assembly	1	SP11524C
9.	T&P Valve Shroud	1	AP7733-2
10.	Captive Screw with Retainer	1	AP8162B-1 AP8162-1
11.	Door	1	
12.	Element	As Required	
13.	Thermostat Retainer	1	AM23557
14.	Element Gasket	As Required	AP6708-9
15.	Insulation - Controls	1	
16.	Insulation - Controls	1	

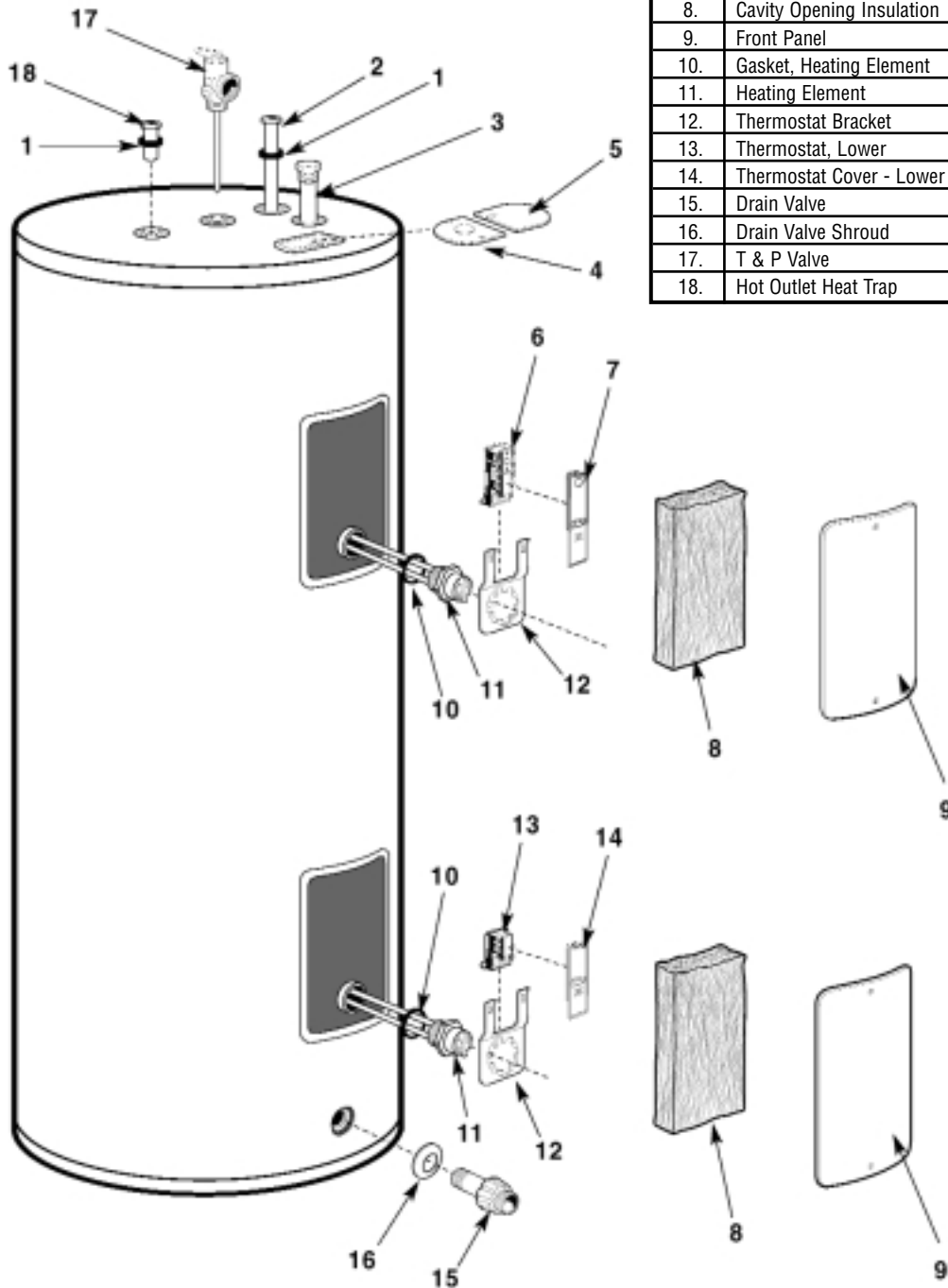
Ref. No.	Part Description	Qty. Req.	Part Number
17.	Thermostat	1	AP11231-1
18.	Fuse (goes with SP8311E)	3	SP8264M
	Fuse (goes with SP11112)	3	SP8264K
19.	Fuse Block	1	SP8311E
	Fuse Block (36, 45 & 54 KW)	1	SP11112
20.	Terminal Block	1	SP10260
21.	Control Encl Frame	1	
22.	Controls Mount Panel	1	
23.	Seal Strip	1	
24.	Relief Valve	1	SP9013E
25.	Handhole Assembly	1	SP22079
25A.	Seal Plate	1	AS22078-2
25B.	Stud	1	AP5983-2
25C.	Handhole Gasket	1	AP5886-1
25D.	Yoke	1	AS24346-1
25E.	Nut	1	AP2247-1

To place your order call 1-800-621-5622; fax 1-800-535-9538

Commercial Replacement Parts List

ELECTRIC LIGHT DUTY (ELD) SERIES

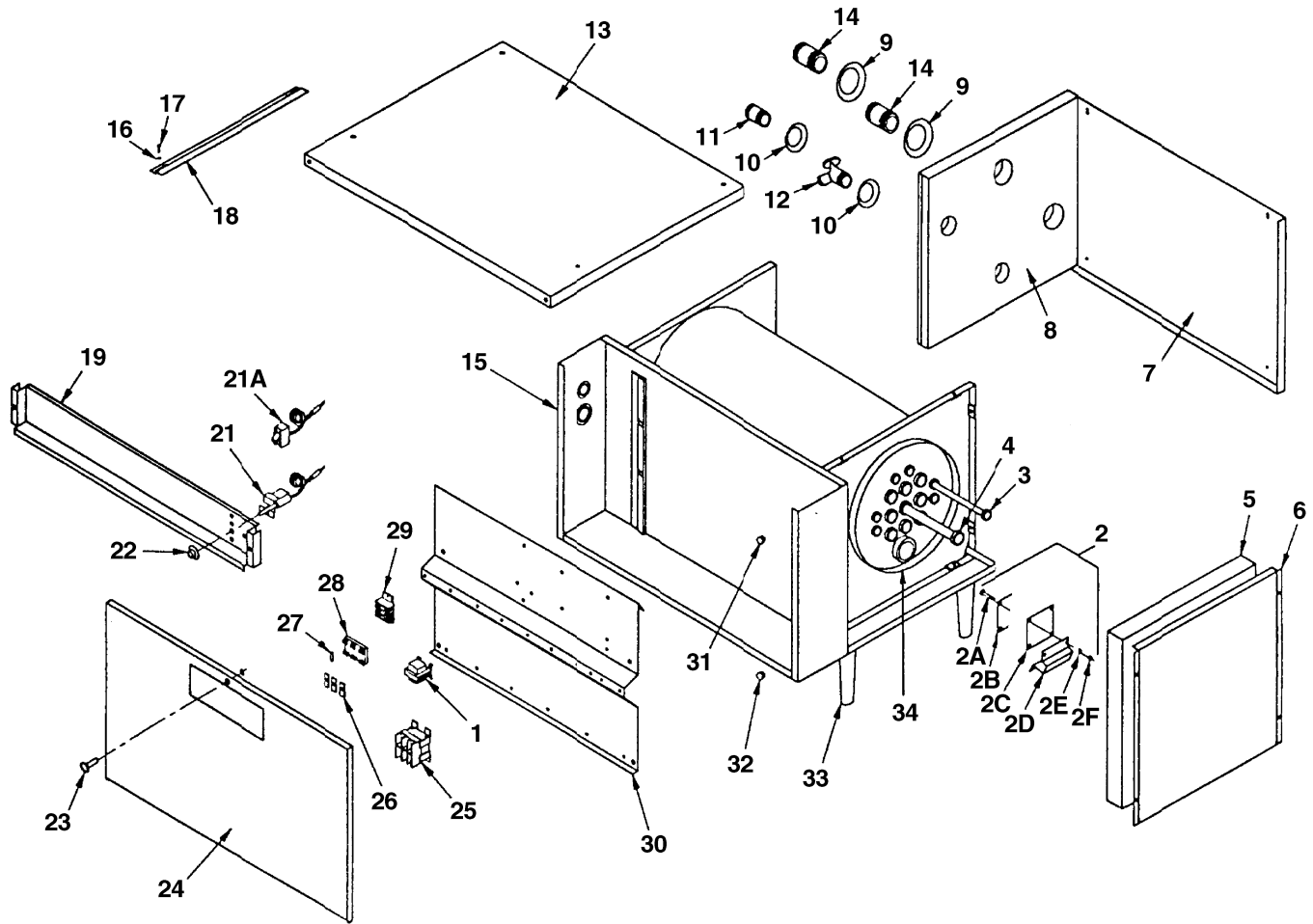
Ref. No.	Part Description	Qty. Req.	Part Number
1.	Gasket	1	AP6948-3
2.	Diptube	1	SP11251R
3.	Anode	1	SP11526C
4.	Field Connect Plate	1	AM29892
5.	Junction Box Cover	1	AM29893
6.	Thermostat, Upper	1	SP8293
7.	Thermostat Cover - Upper	1	AP8313-9
8.	Cavity Opening Insulation	1	AP9184-7
9.	Front Panel	2	AM38409-1C
10.	Gasket, Heating Element	1	AP6708-9
11.	Heating Element	2	SP10552ML
12.	Thermostat Bracket	1	AM23557
13.	Thermostat, Lower	1	SP8295
14.	Thermostat Cover - Lower	1	AP8314-9
15.	Drain Valve	1	SP12112S
16.	Drain Valve Shroud	1	AP9167
17.	T & P Valve	1	
18.	Hot Outlet Heat Trap	1	SP20003 (kit)



To place your order call 1-800-621-5622; fax 1-800-535-9538

Commercial Replacement Parts List

208, 240, 277 OR 480 VOLT OPERATION: 10 GALLON BOOSTER MODELS



WATER HEATER PARTS DIAGRAMS

Ref. No.	Part Description	Qty. Req.	Part Number
1.	Transformer	1	SP10006
2.	Cleanout Assembly	1	
2A.	Bolt	1	
2B.	Gasket	1	
2C.	Cover	1	
2D.	Tank Holddown Bracket	1	
2E.	Lock Washer	1	
2F.	Nut	1	
3.	Anode Assembly	1	SP11524C
4.	Element	1	
5.	Element Insulation	1	
6.	Side Panel	1	
7.	Side & Back Panel	1	
8.	Inlet-Outlet Insulation	1	
9.	Shroud	2	AP9167C
10.	Shroud	2	AP6334-1
11.	Nipple 3/4 inch NPT	1	AP508C-8
12.	Drain Valve	1	SP6070G
13.	Top Pan		
14.	Nipple 1-1/4 inch NPT	2	AP12012B
15.	Assembly - bottom tank supports & enclosure	1	
16.	Washer	1	

Ref. No.	Part Description	Qty. Req.	Part Number
17.	Cap Screw	1	
18.	Support Bracket	1	
19.	Upper Control Panel	1	
20.	Thermostat	1	SP8260
21.	Limit	1	SP5411
22.	Thermostat Dial	1	AP8339
23.	Captive Screw	1	AP8162B-1 AP8162-1
24.	Front Door	1	
25.	Contactors	1	SP12841
26.	Copper Connector	1	AM25285
27.	Element Fuse	1	SP8264M SP8264K
28.	Element Fuse Block	1	SP8311E SP11112
29.	Terminal Block	1	SP10127
30.	Control Mounting Panel	1	
31.	Snap Bushing	1	AP5316B-4
32.	Snap Bushing	1	AP5316C-4
33.	Leg	4	AP7803
34.	Rubber Channel	1	AP7475D-5
35.	Relief Valve (not shown)	1	AP9013E

To place your order call 1-800-621-5622; fax 1-800-535-9538

Preferred Parts™

REFERENCE GUIDE

Residential Gas

Rheem Model Number	Ruud Model Number	Anode	Dip Tube	Drain Valve	Thermo-stat Nat	Thermo-stat LP	Pilot Nat	Pilot LP	Thermo Couple
21DV40	PDV40	SP11309C	SP11248R	SP12039	SP8555B	NONE	SP8980B	NONE	SP6379C
21DV50	PDV50	SP11309C	SP11248R	SP12039	SP8555B	NONE	SP8980B	NONE	SP6379C
21DX40	MDV40	SP11309C	SP11248R	SP12039	SP8555B	NONE	SP8980B	NONE	SP6379C
21DX50	MDV50	SP11309C	SP11248R	SP12039	SP8555B	NONE	SP8980B	NONE	SP6379C
21DX50N	MDV50N	SP11309C	SP11248R	SP12039	SP8555B	NONE	SP8980B	NONE	SP6379C
21I30-6	PI30-6	SP11309C	SP11248R	SP12039	SP8555B	NONE	SP8980B	NONE	SP6379K
21I30-6P	PI30-6P	SP11309C	SP11248R	SP12039	NONE	SP12258B	SP8980B	SP8980C	SP6379K
21I30-7/P	PI30-7P	SP11309C	SP11248R	SP12039	SP8555B	SP12258B	SP8980B	SP8980C	SP6379K
21I30DV	PI30DV	SP11309C	SP11248R	SP12039	SP9051B	SP9051B	SP8980B	SP8384F	SP6379C
21I30S-2/P	PI30S-2/P	SP11309C	SP11248R	SP12039	SP8555B	SP12258B	SP8980B	SP8980C	SP6379K
21I40-7/P	PI40-7/P	SP11309C	SP11248R	SP12039	NONE	SP12258B	SP8980B	SP8980C	SP6379K
21I40DV	PI40DV	SP11309C	SP11248R	SP12039	SP9051B	SP9051B	SP8980B	SP8980C	SP6379C
21I40S-2/P	PI40S-2/P	SP11309C	SP11248R	SP12039	SP8555B	SP12258B	SP8980B	SP8980C	SP6379K
21I50-2/P	PI50-2/P	SP11309C	SP11248R	SP12039	SP8555B	SP12258B	SP8980B	SP8980C	SP6379K
21IR30DV	N/A	AP6240C-11	N/A	SP12159C	SP9051D	N/A	AP11944D	N/A	SP6379C
21IR40DV	N/A	AP6240C-11	N/A	SP12159C	SP9051D	N/A	AP11944D	N/A	SP6379C
21IR40T	N/A	AP6240C-11	N/A	SP12159C	SP9051D	N/A	AP11944K	N/A	SP6379C
21IR50DV	N/A	AP6240C-11	N/A	SP12159C	SP9051D	N/A	AP11944E	N/A	SP6379C
21V100	P100	SP11526C	SP11269C	SP12039	SP10022F	SP12258B	SP8384B	SP8384D	SP6379K
21V20	PI20	SP11309C	SP11248R	SP12039	SP8555B	SP12258B	SP8384B	SP8384D	SP6379K
21V30-5N	P30-5N	SP11309C	SP11248R	SP12039	SP8555B	SP12258B	SP8980B	SP8980C	SP6379K
21V30-6	P30-6	SP11309C	SP11248R	SP12039	SP8555B	NONE	SP8980B	NONE	SP6379K
21V30-6P	P30-6P	SP11309C	SP11248R	SP12039	NONE	SP12258B	NONE	SP8980C	SP6379K
21V30-7/P	P30-7/P	SP11309C	SP11248R	SP12039	NONE	SP12258B	NONE	SP8980C	SP6379K
21V30-7N	P30-7N	SP11309C	SP11248R	SP12039	SP8555B	NONE	SP8980B	NONE	SP6379K
21V30DV	PX30DV	SP11309C	SP11248R	SP12039	SP9051B	SP9051B	SP8384E	SP8384F	SP6379C
21V30S-2/P	P30S-2/P	SP11309C	SP11248R	SP12039	NONE	SP12258B	NONE	SP8980C	SP6379K
21V30S-2N	P30S-2N	SP11309C	SP11248R	SP12039	SP8555B	NONE	SP8980B	NONE	SP6379K
21V30S-3/P	P30S-3/P	SP11309C	SP11248R	SP12039	SP8555B	SP12258B	SP8980B	SP8980C	SP6379K
21V30T	PV30-T	SP11309C	SP11248R	SP12039	SP9051B	SP9051B	SP8980B	SP8980C	SP6379K
21V40-36P	P40-36P	SP11309C	SP11248R	SP12112E	NONE	SP12258B	NONE	SP8980C	SP6379E
21V40-36P	P40-36P	SP11309C	SP11248R	SP12039	NONE	SP12258B	NONE	SP8980C	SP6379K
21V40-38	P40-38	SP11309C	SP11248R	SP12112E	SP8555B	NONE	SP8980B	NONE	SP6379E
21V40-38	P40-38	SP11309C	SP11248R	SP12039	SP8555B	NONE	SP8980B	NONE	SP6379K
21V40-5N	P40-5N	SP11309C	SP11248R	SP12039	SP8555B	SP12258B	SP8980B	SP8980C	SP6379K
21V40-7/P	P40-7/P	SP11309C	SP11248R	SP12039	NONE	SP12258B	NONE	SP8980C	SP6379K
21V40-7N	P40-7N	SP11309C	SP11248R	SP12039	SP8555B	NONE	SP8980B	NONE	SP6379K
21V40DV	P40-DV	SP11309C	SP11248R	SP12039	SP9051B	SP9051B	SP8384E	SP8384F	SP6379C
21V40S-2/P	P40S-2/P	SP11309C	SP11248R	SP12039	NONE	SP12258B	NONE	SP8980C	SP6379K
21V40S-2N	P40S-2N	SP11309C	SP11248R	SP12039	SP8555B	NONE	SP8980B	NONE	SP6379K
21V40S-3/P	P40S-3P	SP11309C	SP11248R	SP12039	SP8555B	SP12258B	SP8980B	SP8980C	SP6379K
21V40S-8A	P40S-8-A	SP11309C	SP11248R	SP12039	SP8555J	NONE	SP8980B	NONE	SP6379K
21V40T	PV40T	SP11309C	SP11248R	SP12039	SP9051B	SP9051B	SP8980B	SP8980C	SP6379K
21V50-2/P	P50-2/P	SP11309C	SP11248R	SP12039	SP8555B	SP12258B	SP8980B	SP8980C	SP6379K
21V50-4/P	P50-4/P	SP11309C	SP11248R	SP12039	SP8555B	SP12258B	SP8980B	SP8980C	SP6379K
21V50-6	P50-6	SP11309C	SP11248R	SP12039	SP10022N	SP11879F	SP8384B	SP8384	SP6379K
21V50-6	P50-6	SP11526C	SP11269C	SP12039	SP10022P	SP12258P	SP8384B	SP8384D	SP6379K
21V50-6-A	P50-6-A	SP11526C	SP11269C	SP12039	SP10022N	SP12258B	SP8384B	SP8384D	SP6379K
21VR30-5/P	PR30-5/P	SP11309C	SP11269C	SP6070E	NONE	SP12258N	NONE	SP8980C	SP6379K
21VR30-5N	PR30-5N	SP11309C	SP11248R	SP12039	SP8555N	NONE	SP8980B	NONE	SP6379K
21VR30-6	PR30-6	SP11309C	SP11248R	SP12039	SP8555N	NONE	SP8980B	NONE	SP6379K
21VR30-6-A	PR30-6-A	SP11309C	SP11248R	SP12039	SP8555N	NONE	SP8980B	NONE	SP6379K
21VR30-6P	PR30-6P	SP11309C	SP11248R	SP12039	NONE	SP12258N	NONE	SP8980C	SP6379K
21VR30-7N-A	PR30-7N-A	SP11309C	SP11248R	SP12039	SP8555N	NONE	SP8980B	NONE	SP6379K
21VR30-7P-A	PR30-7P-A	SP11309C	SP11248R	SP12039	NONE	SP12258N	NONE	SP8980C	SP6379K
21VR30DV	N/A	SP11309C	N/A	SP12159C	SP9051D	N/A	AP11944D	N/A	SP6379C
21VR30T	N/A	SP11309C	N/A	SP12159C	SP9051D	N/A	AP11944K	N/A	SP6379C
21VR40-5/P	PR40-5/P	SP11309C	SP11248R	SP12039	NONE	SP12258N	NONE	SP8980C	SP6379K
21VR40-5N	PR40-5N	SP11309C	SP11248R	SP12039	SP8555N	NONE	SP8980B	NONE	SP6379K
21VR40-7/P	PR40-7/P	SP11309C	SP11248R	SP12039	NONE	SP12258N	NONE	SP8980C	SP6379K
21VR40-7N-A	PR40-7N-A	SP11309C	SP11248R	SP12039	SP8555N	NONE	SP8980B	NONE	SP6379K
21VR40-7P	PR40-7P	SP11309C	SP11248R	SP12039	NONE	SP12258N	NONE	SP8980C	SP6379K
21VR40-7P-A	PR40-7P-A	SP11309C	SP11248R	SP12039	NONE	SP12258N	NONE	SP8980C	SP6379K
21VR40DV	N/A	SP11309C	N/A	SP12159C	SP9051D	N/A	AP11944D	N/A	SP6379C
21VR40T	N/A	SP11309C	N/A	SP12159C	SP9051D	N/A	AP11944K	N/A	SP6379C
21VR50-2/P-A	PR50-21P-A	SP11309C	SP11248R	SP12039	NONE	SP12258N	NONE	SP8980C	SP6379K
21VR50-2N-A	PR50-2N-A	SP11309C	SP11248R	SP12039	SP8555N	NONE	SP8980B	NONE	SP6379K
21VR50-2P	PR50-2P	SP11309C	SP11248R	SP12039	NONE	SP12258N	NONE	SP8980C	SP6379K

Residential Gas – Continued

Rheem Model Number	Ruud Model Number	Anode	Dip Tube	Drain Valve	Thermo-stat Nat	Thermo-stat LP	Pilot Nat	Pilot LP	Thermo Couple
21VR50DV	N/A	SP11309C	N/A	SP12159C	SP9051D	N/A	AP11944E	N/A	SP6379C
21VR75/P	PR75/P	SP11309C	SP11269C	SP12039	NONE	SP12258N	NONE	SP8384D	SP6379K
21VR75-1	PR75-1	SP11309C	SP11269C	SP12039	SP10022N	NONE	SP8384B	NONE	SP6379K
21X30-6	M30-6	SP11526C	SP11248R	SP12039	SP8555B	NONE	SP8980B	NONE	SP6379K
21X30-6P	M30-6P	SP11526C	SP11248R	SP12039	NONE	SP12258B	NONE	SP8980C	SP6379K
21X30-7/P	M30-7/P	SP11526C	SP11248R	SP12039	NONE	SP12258B	NONE	SP8980C	SP6379K
21X30-7N	M30-7N	SP11526C	SP11248R	SP12039	SP8555B	NONE	SP8980B	NONE	SP6379K
21X30S-2/P	M30-2/P	SP11526C	SP11248R	SP12039	NONE	SP12258B	NONE	SP8980C	SP6379K
21X30S-2N	M30S-2N	SP11526C	SP11248R	SP12039	SP8555B	NONE	SP8980B	NONE	SP6379K
21X40-7/P	M40-7/P	SP11526C	SP11248R	SP12039	NONE	SP12258B	NONE	SP8980C	SP6379K
21X40-7N	M40-7N	SP11526C	SP11248R	SP12039	SP8555B	NONE	SP8980B	NONE	SP6379K
21X40S-2/P	M40S-2/P	SP11526C	SP11248R	SP12039	NONE	SP12258B	NONE	SP8980C	SP6379K
21X40S-2N	M40S-2N	SP11526C	SP11248R	SP12039	SP8555B	NONE	SP8980B	NONE	SP6379K
21X40S-2P	M40S-2/P	SP11526C	SP11248R	SP12039	NONE	SP12258B	NONE	SP8980C	SP6379K
21X50-2/P	M50-2/P	SP11526C	SP11248R	SP12039	SP8555B	SP12258B	SP8980B	SP8980C	SP6379K
21X50-4	M50-4	SP11526C	SP11248R	SP12039	SP8555B	SP12258B	SP8980B	SP8980C	SP6379K
21X50-6	M50-6	SP11309C	SP11269C	SP12039	SP10022P	SP12258P	SP8384B	SP8384D	SP6379K
21X50-6	M50-6	SP11526C	SP11269C	SP12039	SP10022P	SP12258P	SP8384B	SP8384D	SP6379K
21X50-6A	M50-6A	SP11526C	SP11269B	SP6070S	SP10022P	SP12258P	SP8384B	SP8384D	SP6379K
21X75	M75	SP11309C	SP11269C	SP12039	SP8555B	SP12258F	SP8384B	SP8384D	SP6379K
21X100	M100	SP11309C	SP11269C	SP6070E	SP10022F	SP12258F	SP8384B	SP8384D	SP6379K
21XR75	MR75	SP11526C	SP11269B	SP6070S	SP8555N	SP12258N	SP8384B	SP8384C	SP6379K
22DV40S-36	PH2DV40S-36	AP11309Y	AP11251Q-2	SP12159C	SP8555U	N/A	AP11944K	N/A	SP6379C
22DV50-40	PH2DV50-40	SP11309C	AP11251H-2	SP12159C	SP8555U	N/A	AP11944K	N/A	SP6379C
22140SDVX	N/A	AP6240Y-11	AP11251C-1	SP12159C	SP9051D	N/A	AP11944K	N/A	SP6379C
22150DVX	N/A	AP6240C-11	AP11251BC	SP12159C	SP9051D	N/A	AP11944K	N/A	SP6379C
22V30-27PF	P2-30-27PF	SP11309C	AP11625G-1	SP12112G	N/A	SP13160E	N/A	SP20070	SP20064
22V30-30F	P2-30-30F	SP11309C	AP11625G-1	SP12112G	SP8555R	N/A	SP20069	N/A	SP20064
22V30S-30F	P2-30S-30F	AP11309Y	AP11625D-1	SP12112G	SP8555R	N/A	SP20075	N/A	SP20064
22V40F1	P2-40F1	SP11309C	AP11625H-1	SP12112E	SP8555S	N/A	SP20075	N/A	SP20064
22V40SDVX	N/A	AP11309Y	AP11251C-1	SP12159C	SP9051D	N/A	AP11944K	N/A	SP6379C
22V50DVX	N/A	SP11309C	AP11248S	SP12159C	SP9051D	N/A	AP11944K	N/A	SP6379C
22V50F1	P2-50F1	SP11309C	AP11625H-1	SP12112E	SP8555S	N/A	SP20075	N/A	SP20064
22VR75-69P	PR75P-69P	AP11525C	AP11237G	SP12112S	N/A	SP12258N	N/A	SP8980C	SP6379C
22VR75-70N	PR75-70N	AP11525C	AP11237G	SP12112S	SP12941D	N/A	SP8980B	N/A	SP6379C
22X40F1	M2-40F1	SP11526C	AP11625H-1	SP12112E	SP8555S	N/A	SP20075	N/A	SP20064
22X50F1	M2-50F1	SP11526C	AP11625H-1	SP12112E	SP8555S	N/A	SP20075	N/A	SP20064
22XR75-69P	MR75-69P	SP11526C	AP11237G	SP12112S	N/A	SP12258N	N/A	SP8980C	SP6379C
22XR75-70N	MR75-70N	SP11526C	AP11237G	SP12112S	SP12941D	N/A	SP8980B	N/A	SP6379C
41V30, T/P	PH30, T/P	SP11309C	SP11269C	SP12039	SP8555B	SP12258B	SP8980B	SP8980C	SP6379K
41V30LB	PH30LB	SP11309C	SP11269C	SP12039	SP8555B	SP12258B	SP8980B	SP8980C	SP6379K
41V30S	PH30S	SP11309C	SP11248R	SP12039	SP8555B	SP12258B	SP8980B	SP8980C	SP6379K
41V30S	PH30S	SP11309C	SP11248R	SP12039	SP8555B	SP12258B	SP8980B	SP8980C	SP6379K
41V30SP	PH30SP	SP11309C	SP11248R	SP12039	SP8555B	SP12258B	SP8980B	SP8980C	SP6379K
41V40	PH40	SP11309C	SP11248R	SP12039	SP8555B	SP12258B	SP8980B	SP8980C	SP6379K
41V40LB	PH40LB	SP11309C	SP11248R	SP12039	SP8555B	SP12258B	SP8980B	SP8980C	SP6379K
41V40P	PH40P	SP11309C	SP11248R	SP12039	SP8555B	SP12258B	SP8980B	SP8980C	SP6379K
41V40S	PH40S	SP11309C	SP11248R	SP12039	SP8555B	SP12258B	SP8980B	SP8980C	SP6379K
41V40S	PH40S	SP11309C	SP11248R	SP12039	SP8555B	SP12258B	SP8980B	SP8980C	SP6379K
41V40SP	PH40SP	SP11309C	SP11248R	SP12039	SP8555B	SP12258B	SP8980B	SP8980C	SP6379K
41V50	PH50	SP11309C	SP11248R	SP12039	SP8555B	SP12258B	SP8980B	SP8980C	SP6379K
41V50-4/P	PH50-4/P	SP11309C	SP11248R	SP12039	SP8555B	SP12258B	SP8980B	SP8980C	SP6379K
41V50P	PH50	SP11309C	SP11248R	SP12039	SP8555B	SP12258B	SP8980B	SP8980C	SP6379K
41V50S	PH50S	SP11309C	SP11248R	SP12039	SP8555B	SP12258B	SP8980B	SP8980C	SP6379K
41VR40	PHR40	SP11309C	SP11248R	SP12039	SP8555P	SP12258P	SP8980B	SP8980C	SP6379K
41VR40N	PHR40N	SP11309C	SP11248R	SP12039	SP8555P	SP12258P	SP8980B	SP8980C	SP6379K
41VR50	PHR50	SP11309C	SP11248R	SP12039	SP8555P	SP12258P	SP8980B	SP8980C	SP6379K
41VR50N	PHR50N	SP11309C	SP11248R	SP12039	SP8555P	SP12258P	SP8980B	SP8980C	SP6379K
41X30S	MH30S	SP11309C	SP11248R	SP12039	SP8555B	SP12258B	SP8980B	SP8980C	SP6379K
41X30SP	MH30SP	SP11309C	SP11248R	SP12039	SP8555B	SP12258B	SP8980B	SP8980C	SP6379K
41X40	MH40	SP11526C	SP11248R	SP12039	SP8555B	SP12258B	SP8980B	SP8980C	SP6379K
41X40P	MH40P	SP11526C	SP11248R	SP12039	SP8555B	SP12258B	SP8980B	SP8980C	SP6379K
41X40S	MH40S	SP11526C	SP11248R	SP12039	SP8555B	SP12258B	SP8980B	SP8980C	SP6379K
41X40S	MH40S	SP11526C	SP11248R	SP12039	SP8555B	SP12258B	SP8980B	SP8980C	SP6379K
41X40SP	MH40SP	SP11526C	SP11248R	SP12039	SP8555B	SP12258B	SP8980B	SP8980C	SP6379K
41X50	MH50	SP11526C	SP11248R	SP12039	SP8555B	SP12258B	SP8980B	SP8980C	SP6379K
41X50-6	MH50-6	SP11526C	SP11269C	SP12039	SP10022P	SP12258P	SP8384B	SP8384D	SP6379K
41X50-6-A	MH50-6-A	SP11526C	SP11269C	SP12039	SP10022P	SP12258P	SP8384B	SP8384D	SP6379K
41X50N	MH50N	SP11526C	SP11248R	SP12039	SP8555B	NONE	SP8980B	NONE	SP6379K
41X50P	MH50P	SP11526C	SP11248R	SP12039	NONE	SP12258B	NONE	SP8980C	SP6379K
41X75	MH75	SP11526C	SP11269C	SP12039	SP8555B	SP12258N	SP8384B	SP8384D	SP6379K
41XR40	MR40	SP11526C	SP11624G	SP12039	SP8555P	SP12258P	SP8980B	SP8980C	SP6379K
41XR40N	MR40N	SP11526C	SP11624G	SP12039	SP8555P	SP12258P	SP8980B	SP8980C	SP6379K
41XR50	MR50	SP11526C	SP11624G	SP12039	SP8555P	SP12258P	SP8980B	SP8980C	SP6379K

Residential Gas – Continued

Rheem Model Number	Ruud Model Number	Anode	Dip Tube	Drain Valve	Thermo-stat Nat	Thermo-stat LP	Pilot Nat	Pilot LP	Thermo Couple
41XR50N	MR50N	SP11526C	SP11624G	SP12039	SP8555P	SP12258P	SP8980B	SP8980C	SP6379F
41XR75	MR75	SP11526C	SP11269C	SP12039	SP8555N	SP12258N	SP8384B	SP8384D	SP6379F
41XR75-1	MR75-1	SP11526C	SP11269C	SP12039	SP8555N	NONE	SP8384B	NONE	SP6379F
42V38-34PROPF	PH2-38-34PROPF	SP11526C	AP11625G-1	SP12112G	N/A	SP13160E	N/A	SP20076	SP20064
42V40F	PH2-40F	SP11309C	AP11625G-1	SP12112G	SP8555R	N/A	SP20075	N/A	SP20064
42V40PF	PH2-40PF	SP11309C	AP11625G-1	SP12112G	N/A	SP13160E	N/A	SP20076	SP20064
42V40PROF	PH2-40PROF	SP11526C	AP11625G-1	SP12112G	SP8555R	N/A	SP20075	N/A	SP20064
42V40S-36PF	PH2-40S-36PF	AP11309Y	AP11625E-1	SP12112G	N/A	SP13160E	N/A	SP20076	SP20064
42V40S-36PROPF	PH2-40S-36PROPF	AP11526Y	AP11625E-1	SP12112G	N/A	SP13160E	N/A	SP20076	SP20064
42V40S-40F	PH2-40S-40F	AP11309Y	AP11625E-1	SP12112G	SP8555R	N/A	SP20075	N/A	SP20064
42V40S-40PROF	PH2-40S-40PROF	AP11526Y	AP11625E-1	SP12112G	SP8555R	N/A	SP20075	N/A	SP20064
42V50-36PF	PH2-50-36PF	SP11309C	AP11625P	SP12112G	N/A	SP13160E	N/A	SP20076	SP20064
42V50-36PROPF	PH2-50-36PROPF	SP11526C	AP11625P	SP12112G	N/A	SP13160E	N/A	SP20076	SP20064
42V50-40F	PH2-50-40F	SP11309C	AP11625P	SP12112G	SP8555R	N/A	SP20075	N/A	SP20064
42V50-40PROF	PH2-50-PROF	SP11526C	AP11625P	SP12112G	SP8555R	N/A	SP20075	N/A	SP20064
42V60-50T	PH2-60-50T	AP11526S	AP11251G	SP12112G	SP20085	N/A	N/A	N/A	SP6379K
42VR40-34PF	PH2R40-34PF	SP11309C	AP11625F-1	SP12112S	N/A	SP13160D	N/A	SP20076	SP20064
42VR40-40F	PH2R40-40F	SP11309C	AP11625F-1	SP12112S	SP8555T	N/A	SP20075	N/A	SP20064
42VR50-36PF	PH2R50-36PF	SP11309C	AP11625P	SP12112S	N/A	SP13160D	N/A	SP20076	SP20064
42VR50-40F	PH2R50-40F	SP11309C	AP11625P	SP12112S	SP8555T	N/A	SP20075	N/A	SP20064
42X40F	MH2-40F	SP11526C	AP11625G-1	SP12112G	SP8555R	N/A	SP20075	N/A	SP20064
42X40S-40F	MH2-40S-40F	AP11526Y	AP11625E-1	SP12112G	SP8555R	N/A	SP20075	N/A	SP20064
42X50-40F	MH2-50-40F	SP11526C	AP11625P	SP12112G	SP8555R	N/A	SP20075	N/A	SP20064
42XR40-40F	MH240-40F	SP11526C	AP11625F-1	SP12112S	SP8555T	N/A	SP20075	N/A	SP20064
42XR50-40F	MH2R50-40F	SP11526C	AP11625P	SP12112S	SP8555T	N/A	SP20075	N/A	SP20064
44V40	PT40	SP11526C	SP11248R	SP12039	SP8555F	SP12258F	SP8980B	SP8980C	SP6379F
44V40-1	PT40-1	SP11526C	SP11248R	SP12039	SP8555F	SP12258F	SP8980B	SP8980C	SP6379F
44V40-1 P	PT40-1 P	SP11526C	SP11248R	SP12039	SP8555F	SP12258F	SP8980B	SP8980C	SP6379F
44V40-2	PT40-2	SP11526C	SP11248R	SP12039	SP8555F	NONE	SP8980B	NONE	SP6379F
44V40P	PT40P	SP11526C	SP11248R	SP12039	NONE	SP12258B	NONE	SP8980C	SP6379F
44V50	PT50	SP11526C	SP11248R	SP12039	SP8555F	SP12258F	SP8980B	SP8980C	SP6379F
44V50-1	PT50-1	SP11526C	SP11248R	SP12039	SP8555F	NONE	SP8980B	NONE	SP6379F
44V50-2	PT50-2	SP11526C	SP11248R	SP12039	SP10022F	NONE	SP8384B	NONE	SP6379C
44V50P	PT50P	SP11526C	SP11248R	SP12039	NONE	SP12258F	NONE	SP8980C	SP6379C
44V62	PT62	SP11309C	SP11269C	SP12039	SP8555B	NONE	SP8384B	NONE	SP6379C
44V76	PT76	SP11309C	SP11269C	SP12039	SP8555B	NONE	SP8384B	NONE	SP6379C
44V91	PT91	SP11309C	SP11269C	SP12039	SP10022F	NONE	SP8384B	NONE	SP6379C
44X40	MT40	AP10377D	SP11248R	SP12039	SP10022F	NONE	SP8384B	NONE	SP6379L
44X40-1	MT40-1	AP10377D	SP11248R	SP12039	SP8555F	NONE	SP8980B	NONE	SP6379K
44X40-1 P	MT40-1 P	AP10377D	SP11248R	SP12039	NONE	SP12258F	NONE	SP8980C	SP6379K
44X40-2	MT40-2	AP10377D	SP11248R	SP12039	SP8555F	NONE	SP8980E	NONE	SP6379K
44X50-2	MT50-2	AP10377D	SP11248R	SP12039	SP10022F	NONE	SP8384B	NONE	SP6379L
44X50P	MT50P	AP10377D	SP11248R	SP12039	NONE	SP12258F	NONE	SP8980C	SP6379K
44X62	MT62	SP11309C	SP11248R	SP12039	SP8555B	NONE	SP8384B	NONE	SP6379C
44X76	MT76	SP11309C	SP11269C	SP12039	SP8555B	NONE	SP8384B	NONE	SP6379C
44X91	MT91	SP11309C	SP11269C	SP12039	SP10022F	NONE	SP8384B	NONE	SP6379C
RHGPRO100-75*	RUGPRO100-75*	SP11526C	SP11269C	SP6070E	SP10022F	SP12258F	SP8384B	SP8384D	SP6379K
RHGPRO40-34PF	RUGPRO40-34PF	SP11526C	AP11625F-1	SP12112S	N/A	SP13160D	N/A	SP20076	SP20064
RHGPRO40-37*	RUGPRO40-37*	SP11526C	SP11624G	SP6070S	SP8555P	SP12258B	SP8980B	SP8980C	SP6379K
RHGPRO40-40*	RUGPRO40-40*	SP11526C	SP11624G	SP6070S	SP8555P	SP12258P	SP8980B	SP8980C	SP6379K
RHGPRO40-40F	RUGPRO40-40F	SP11526C	AP11625F-1	SP12112S	SP8555T	N/A	SP20075	N/A	SP20064
RHGPRO40S-37*	RUGPRO40S-37*	SP11526C	SP11624G	SP6070E	SP8555B	SP12258B	SP8980B	SP8980C	SP6379K
RHGPRO50-34PF	RUGPRO50-34PF	SP11526C	AP11625P	SP12112S	N/A	SP13160D	N/A	SP20076	SP20064
RHGPRO50-40*	RUGPRO50-40*	SP11526C	SP11624G	SP6070S	SP8555P	SP12258P	SP8980B	SP8980C	SP6379K
RHGPRO50-40F	RUGPRO50-40F	SP11526C	AP11625P	SP12112S	SP8555T	N/A	SP20075	N/A	SP20064
RHGPRO50-50*	RUGPRO50-50*	SP11526C	SP11624G	SP6070S	SP8555P	SP12258B	SP8980B	SP8980C	SP6379K
RHGPRO50-50F	RUGPRO50-50F	SP11526C	AP11625P	SP12112G	AP8555W-1	N/A	SP20075	N/A	SP20064
RHGPRO50-60*	RUGPRO50-60*	SP11526C	SP11269C	SP6070S	SP8555P	SP12258P	SP8384B	SP8384D	SP6379K
RHGPRO75-69P	RUGPRO75-69P	SP11526C	AP11237G	SP12112S	N/A	SP12258N	N/A	SP8980C	SP6379C
RHGPRO75-70N	RUGPRO75-70N	SP11526C	AP11237G	SP12112S	SP12941D	N/A	SP8980B	N/A	SP6379C
RHGPRO75-75*	RUGPRO75-75*	SP11526C	SP11269C	SP6070S	SP10022N	SP12258N	SP8384B	SP8384D	SP6379K
RMGPRO40*	RDG-PRO40*	SP11526C	SP11248R	SP6070E	SP8555P	NONE	SP8980B	NONE	SP6379K
RMGPRO40P*	RDG-PRO40P*	SP11526C	SP11248R	SP6070E	NONE	SP12258B	NONE	SP8980C	SP6379K
RMGPRO40S*	RUGPRO40S*	SP11526C	SP11248R	SP6070E	SP8555B	SP12258B	SP8980B	SP8980C	SP6379K
RMGPRO40SP*	RDG-PRO40SP*	SP11526C	SP11248R	SP6070E	SP8555B	SP12258B	SP8980B	SP8980C	SP6379K
RMGPRO50P*	RDG-PRO50P*	SP11526C	SP11248R	SP6070E	SP8555P	SP12258P	SP8980B	SP8980C	SP6379K
RMGVRPRO40*	RDGVR-PRO40*	SP11526C	SP11248R	SP6070S	SP8555P	NONE	SP8980B	NONE	SP6379K
RMGVRPRO40P*	RDGVR-PRO40P*	SP11526C	SP11248R	SP6070S	NONE	SP12258P	NONE	SP8980C	SP6379K
RMGVRPRO50*	RDGVR-PRO50*	SP11526C	SP11248R	SP6070S	SP8555P	NONE	SP8980B	NONE	SP6379K
RMGVRPRO50P*	RDGVR-PRO50P*	SP11526C	SP11248R	SP6070S	NONE	SP12258P	NONE	SP8980C	SP6379K

* EverKleen dip tubes available for PRO models

PowerVents – Residential and Commercial

Rheem Model Number	Ruud Model Number	Blower Motor	Dip Tube	Gas Drain Valve	Gas Valve Nat	Pilot Valve LP	Pilot Ignitor Nat	Ignitor Ignitor LP	Control Module
22VRP75	PVRP75	AP13211	AP13266A	SP12112S	SP12556	N/A	SP12560B	N/A	N/A
22VRP75P	PVRP75P	AP13211	AP13266A	SP12112S	N/A	SP12557	N/A	SP12560C	
41VRP40N	PVRP40N	SP12562	AP11251Q-2	SP12112S	SP12556	N/A	SP12560B	N/A	N/A
41VRP40-P	PVRP40-P	SP12562	AP11251Q-2	SP12112S	N/A	SP12557	N/A	SP12560C	
41VRP50-55N	PVRP50-55N	AP13194	AP11251Q-2	SP12112S	SP12556	N/A	SP12560B	N/A	N/A
41VRP50N	PVRP50N	SP12562	AP11251Q-2	SP12112S	SP12556	N/A	SP12560B	N/A	N/A
41VRP50-P	PVRP50-P	SP12562	AP11251Q-2	SP12112S	N/A	SP12557	N/A	SP12560C	
GPV75-75E	GPV75-75E	AP11608	SP11269F	SP6070S	SP11652B	SP11652C	SP12049D	SP12049E	SP10763B
Obsolete Models									
21VP40-1	PVP40-1	AP10983***	SP10768C	SP12039	SP10886B	N/A	SP10972	N/A	SP10758
21VP40-1/P-A	PVP40-1/P-A	AP10983***	SP10768C	SP12039	N/A	SP10886C	N/A	SP10972	SP10758
21VP40E-1	PVP40-E1-A	AP10983***	SP11248R	SP12039	SP11652B	N/A	SP12049B	N/A	SP10763B
21VP40E-1P	PVP40E-1P	AP10983***	SP11248R	SP12039	N/A	SP11652C	N/A	SP12049C	SP10763B
21VP40H-1/P-A	PVP40H-1/P-A	AP10983***	SP10768C	SP12039	N/A	SP10886C	N/A	SP10972	SP10758
21VP40HE-1	PVP40HE-1	AP10983***	SP11248R	SP12039	SP11652B	N/A	SP12049B	N/A	SP10763B
21VP40HE-1P	PVP40HE-1P	AP10983***	SP11248R	SP12039	N/A	SP11652C	N/A	SP12049C	SP10763B
21VP50-1	PVP50-1	AP10983***	SP10768C	SP12039	SP10886B	N/A	SP10972	N/A	SP10758
21VP50-1/P-A	PVP50-1/P-A	AP10983***	SP10768C	SP12039	N/A	SP10886C	N/A	SP10972	SP10758
21VP50E-1	PVP50E-1	AP10983***	SP11248R	SP12039	SP11652B	N/A	SP12049B	N/A	SP10763B
21VP50E-1P	PVP50E-1P	AP10983***	SP11248R	SP12039	N/A	SP11652C	N/A	SP12049C	SP10763B
21VP50H-1/P-A	PVP50H-1/P-A	AP10983***	SP10768C	SP12039	N/A	SP10886C	N/A	SP10972	SP10758
21VP50HE-1	PVP50HE-1	AP10983***	SP11248R	SP12039	SP11652B	N/A	SP12049B	N/A	SP10763B
21VP50HE-1P	PVP50HE-1P	AP10983***	SP11248R	SP12039	N/A	SP11652C	N/A	SP12049C	SP10763B
21VP75E-1	PVP75E-1	AP11608	SP11269C	SP6070S	SP11652B	N/A	SP12049D	N/A	SP10763B
21VP75E-1P	PVP75E-1P	AP11608	SP11269F	SP6070S	SP11652B	SP11652C	SP12049D	SP12049E	SP10763B
21VP75E-1P	PVP75E-1P	AP11608	SP11269C	SP6070S	N/A	SP11652C	N/A	SP12049E	SP10763B

• Surface Mounted Thermostat –SP12390 – all residential models, SP12391 all commercial models

• ** Vacuum Switch – SP11875 – all models

• *** High Altitude Blower Assembly, 40 & 50 Gallon, use AP10984-3

Residential Electric

Rheem Model Number	Ruud Model Number	Non-Sim Thermo-stat Upper	Sim Thermo-stat Upper	Non-Sim Thermo-stat Lower	Sim Thermo-stat Lower	S/E 120V	S/E 208-480V	Anode	Drain Valve
68V30S/D	PESC30-1/2	SP11698	SP11699	SP11695	SP11695	SP11700	SP11699	SP11524C	SP12039
71V40-B	PM40-B	SP11698	SP11699	SP11695	SP11695	SP11700	SP11699	SP11524C	SP12039
71V52-B	PM52-B	SP11698	SP11699	SP11695	SP11695	SP11700	SP11699	SP11524C	SP12039
72-20-1	N/A	N/A	N/A	N/A	N/A	SP11700	N/A	AP6240V-11	SP12159C
72-30-1	N/A	N/A	N/A	N/A	N/A	SP11700	SP11699	AP6240T-11	SP12159F
72-30-2	N/A	SP11698	N/A	SP11695	N/A	N/A	SP11699	AP6240T-11	SP12159F
72-40-1	N/A	N/A	N/A	N/A	N/A	N/A	SP11699	AP6240T-11	SP12159F
72-40-2	N/A	SP11698	N/A	SP11695	N/A	N/A	N/A	AP6240T-11	SP12159F
72-52-1	N/A	N/A	N/A	N/A	N/A	N/A	SP11699	AP6240BD	SP12159F
72-52-2	N/A	SP11698	N/A	SP11695	N/A	N/A	N/A	AP6240BD	SP12159F
72V20-1	N/A	N/A	N/A	N/A	N/A	SP11700	SP11699	AP11309V	SP12159C
72V30	N/A	SP11698	N/A	SP11695	N/A	N/A	SP11699	AP11309T	SP12159F
72V40-2	N/A	SP11698	N/A	SP11695	N/A	N/A	N/A	SP12525T	SP12159F
72V52-2	N/A	SP11698	N/A	SP11695	N/A	N/A	N/A	AP11309BD	SP12159F
81VR100-1/T	RSPER100-1/T	SP11698	SP11699	SP11695	SP11695	SP11700	SP11699	SP11524C	SP12039
81166S/D	PEI66-1/2	SP11698	SP11699	SP11695	SP11695	SP11700	SP11699	SP11524C	SP12039
81180S/D	PEI80-1/2	SP11698	SP11699	SP11695	SP11695	SP11700	SP11699	SP11524C	SP12039
81GX30	MEG30-1/2	SP11698	SP11699	SP11695	SP11695	SP11700	SP11699	SP11524C	SP12039
81GX40-B	MEG40-1/2	SP11698	SP11699	SP11695	SP11695	SP11700	SP11699	SP11524C	SP12039
81GX52-8	MEG52-1/2	SP11698	SP11699	SP11695	SP11695	SP11700	SP11699	SP11524C	SP12039
81GX66S/D	MEG66-1/2	SP11698	SP11699	SP11695	SP11695	SP11700	SP11699	SP11524C	SP12039
81GX80S/D	MEG80-1/2	SP11698	SP11699	SP11695	SP11695	SP11700	SP11699	SP11524C	SP12039
81MV30-A	PEM30-A	SP11698	SP11699	SP11695	SP11695	SP11700	SP11699	SP11524C	SP12039
81MV52-B	PEB52-1/2	SP11698	SP11699	SP11695	SP11695	SP11700	SP11699	SP11524C	SP12039
81MVR52S/D	PEM52-1/2	SP11698	SP11699	SP11695	SP11695	SP11700	SP11699	SP11524C	SP12039
81MX30D	MEM30-2	SP11698	SP11699	SP11695	SP11695	SP11700	SP11699	SP11526C	SP12039
81MX52D	MEM52-2	SP11698	SP11699	SP11695	SP11695	SP11700	SP11699	SP11526C	SP12039
81SV20S/D	PES20-1/2	SP11698	SP11699	SP11695	SP11695	SP11700	SP11699	SP11524C	SP12039
81SV30D	PES30-1/2	SP11698	SP11699	SP11695	SP11695	SP11700	SP11699	SP11524C	SP12039
81SV30-D	PES30-1/2	SP11698	SP11699	SP11695	SP11695	SP11700	SP11699	SP11524C	SP12039
81SV40-A	PES40-2	SP11698	SP11699	SP11695	SP11695	SP11700	SP11699	SP11524C	SP12039
81SV40D	PES40-2	SP11698	SP11699	SP11695	SP11695	SP11700	SP11699	SP11524C	SP12039
81SV50D	PES50-2	SP11698	SP11699	SP11695	SP11695	SP11700	SP11699	SP11524C	SP12039
81SV52-B	PES52-2B	SP11698	SP11699	SP11695	SP11695	SP11700	SP11699	SP11524C	SP12039
81SV52D	PES52-2	SP11698	SP11699	SP11695	SP11695	SP11700	SP11699	SP11524C	SP12039
81SX20S/D	MES20-1/2	SP11698	SP11699	SP11695	SP11695	SP11700	SP11699	SP11524C	SP12039
81SX30D	MES30-2	SP11698	SP11699	SP11695	SP11695	SP11700	SP11699	SP11524C	SP12039
81SX40D	MES40-2	SP11698	SP11699	SP11695	SP11695	SP11700	SP11699	SP11524C	SP12039

Residential Electric – Continued

Rheem Model Number	Ruud Model Number	Non-Sim Thermo-stat Upper	Sim Thermo-stat Upper	Non-Sim Thermo-stat Lower	Sim Thermo-stat Lower	S/E 120V	S/E 208-480V	Anode	Drain Valve
81SX50D	MES-50-2	SP11698	SP11699	SP11695	SP11695	SP11700	SP11699	SP11524C	SP12039
81SX52D	MES-52-2	SP11698	SP11699	SP11695	SP11695	SP11700	SP11699	SP11524C	SP12039
81V-100HE-1/-T	RSPE-100HE-1/-T	SP11698	SP11699	SP11695	SP11695	SP11700	SP11699	SP11524C	SP12040
81V120-B	PE120-2	SP11698	SP11699	SP11695	SP11695	SP11700	SP11699	SP11309C	SP12043
81V-120HE-1/-T	RSPE-120HE-1/-T	SP11698	SP11699	SP11695	SP11695	SP11700	SP11699	SP11524C	SP12041
81V30-A	PE30-2	SP11698	SP11699	SP11695	SP11695	SP11700	SP11699	SP11526C	SP12044
81V40-A	PE40-2	SP11698	SP11699	SP11695	SP11695	SP11700	SP11699	SP11526C	SP12045
81V40-C	PE40-2	SP11698	SP11699	SP11695	SP11695	SP11700	SP11699	SP11524C	SP12046
81V52-B	PE52-2	SP11698	SP11699	SP11695	SP11695	SP11700	SP11699	SP11526C	SP12047
81V66-A	PE66-2	SP11698	SP11699	SP11695	SP11695	SP11700	SP11699	SP11524C	SP12048
81V-80HE-1/-T	RSPE-80HE-1/-T	SP11698	SP11699	SP11695	SP11695	SP11700	SP11699	SP11524C	SP12042
81V80S/D	PE80-2	SP11698	SP11699	SP11695	SP11695	SP11700	SP11699	SP11524C	SP12049
81VP10S	PEP10-1	SP11698	SP11699	SP11695	SP11695	SP11700	SP11699	SP11309C	NONE
81VP15S	PEP15-1	SP11698	SP11699	SP11695	SP11695	SP11700	SP11699	SP11309C	NONE
81VP20S	PEP20-1	SP11698	SP11699	SP11695	SP11695	SP11700	SP11699	SP11309C	NONE
81VP2S	PEP2-1	SP11698	SP11699	SP11695	SP11695	SP11700	SP11699	SP11309C	SP12039
81VP4S	PEP4-1	SP11698	SP11699	SP11695	SP11695	SP11700	SP11699	SP11309C	SP12039
81VP6S	PEP6-1	SP11698	SP11699	SP11695	SP11695	SP11700	SP11699	SP11309C	SP12039
81VR100TC-1/-T	RSPER100-1/T	SP11698	SP11699	SP11695	SP11695	SP11700	SP11699	SP11524C	SP12039
81VR120-1	RSPER120-1	SP11698	SP11699	SP11695	SP11695	SP11700	SP11699	SP11524C	SP12039
81VR120-1/-T	RSPER120-1/T	SP11698	SP11699	SP11695	SP11695	SP11700	SP11699	SP11524C	SP12039
81VR120TC-1/-T	RSPER120-1/T	SP11698	SP11699	SP11695	SP11695	SP11700	SP11699	SP11524C	SP12039
81VR30-A	PER30-A	SP11698	SP11699	SP11695	SP11695	SP11700	SP11699	SP11309C	SP12039
81VR30S/D	PER30-1/2	SP11698	SP11699	SP11695	SP11695	SP11700	SP11699	SP11526C	SP12039
81VR40-C	PER40-C	SP11698	SP11699	SP11695	SP11695	SP11700	SP11699	SP11309C	SP12039
81VR52S/D	PER52-1/2	SP11698	SP11699	SP11695	SP11695	SP11700	SP11699	SP11526C	SP12039
81VR66-1/-T	RSPER66-1/T	SP11698	SP11699	SP11695	SP11695	SP11700	SP11699	SP11524C	SP12039
81VR66S/D	PER66-1/2	SP11698	SP11699	SP11695	SP11695	SP11700	SP11699	SP11524C	SP12039
81VR66TC-1/-T	RSPER66TC-1/T	SP11698	SP11699	SP11695	SP11695	SP11700	SP11699	SP11524C	SP12039
81VR80-1/-T	RSPER80-1/T	SP11698	SP11699	SP11695	SP11695	SP11700	SP11699	SP11524C	SP12039
81VR80S/D	PER80-1/2	SP11698	SP11699	SP11695	SP11695	SP11700	SP11699	SP11524C	SP12039
81VR80TC-1/-T	RSPER80TC-1/T	SP11698	SP11699	SP11695	SP11695	SP11700	SP11699	SP11524C	SP12039
81X120D	ME120-1/2	SP11698	SP11699	SP11695	SP11695	SP11700	SP11699	SP11526C	SP12039
81X30D	ME30-1/2	SP11698	SP11699	SP11695	SP11695	SP11700	SP11699	SP11526C	SP12039
81X40D	ME40-1/2	SP11698	SP11699	SP11695	SP11695	SP11700	SP11699	SP11526C	SP12039
81X52D	ME52-1/2	SP11698	SP11699	SP11695	SP11695	SP11700	SP11699	SP11526C	SP12039
81X66D	ME66-1/2	SP11698	SP11699	SP11695	SP11695	SP11700	SP11699	SP11526C	SP12039
81X66S/D	ME66-1/2	SP11698	SP11699	SP11695	SP11695	SP11700	SP11699	SP11526C	SP12039
81X80D	ME80-1/2	SP11698	SP11699	SP11695	SP11695	SP11700	SP11699	SP11526S	SP12039
81X80S/D	ME80-1/2	SP11698	SP11699	SP11695	SP11695	SP11700	SP11699	SP11526C	SP12039
81XH52D	MEH52-2	SP11698	SP11699	SP11695	SP11695	SP11700	SP11699	SP11526C	SP12039
82IP30-1	N/A	N/A	N/A	N/A	N/A	SP11700	SP11699	AP6240BH	N/A
82IP30-2	N/A	SP11698	N/A	SP11695	N/A	N/A	N/A	AP6240BH	N/A
82MV30-2	PE2M-30-2	SP11698	N/A	SP11695	N/A	N/A	N/A	AP11525BC	SP12112G
82MV52-1	PE2M-52-1	N/A	N/A	N/A	N/A	N/A	SP11699	AP11525T	SP12112G
82MV52-2	PE2M-52-2	SP11698	N/A	SP11695	N/A	N/A	N/A	AP11525T	SP12112G
82MVR52-2	EMV52-2	SP11698	SP11699	SP11695	SP11695	SP11700	SP11699	SP11526C	SP12039
82MXR52-2	EMVR52-2	SP11698	SP11699	SP11695	SP11695	SP11700	SP11699	SP11526C	SP12039
82SV20-1	PE2S20-1	N/A	N/A	N/A	N/A	SP11700	SP11699	AP11309V	SP12112G
82SV20-2	PES20-2	SP11698	N/A	SP11695	N/A	N/A	N/A	AP11309V	SP12112G
82SV30-1	PES30-1	N/A	N/A	N/A	N/A	SP11700	SP11699	AP11525BH	SP12112G
82SV30-2	PES30-2	SP11698	N/A	SP11695	N/A	N/A	N/A	AP11525BH	SP12112G
82SV40-1	PE2S40-1	N/A	N/A	N/A	N/A	SP11700	SP11699	AP11525V	SP12112G
82SV40-2	PE2S40-2	SP11698	N/A	SP11695	N/A	N/A	N/A	AP11525V	SP12112G
82SV50-1	PES250-1	N/A	N/A	N/A	N/A	N/A	SP11699	AP11525V	SP12112S
82SV50-2	PE2S50-2	SP11698	N/A	SP11695	N/A	N/A	N/A	AP11525V	SP12112S
82V30-1	PE2-30-1	N/A	N/A	N/A	N/A	SP11700	SP11699	AP11309T	SP12112G
82V30-2	PE2-30-2	SP11698	N/A	SP11695	N/A	N/A	N/A	AP11309T	SP12159F
82V40-1	PE2-40-1	N/A	N/A	N/A	N/A	SP11700	SP11699	AP11525T	SP12112G
82V40-2	PE2-40-2	SP11698	N/A	SP11695	N/A	N/A	N/A	AP11525T	SP12112G
82V52-1	PE2-52-1	N/A	N/A	N/A	N/A	N/A	SP11699	AP11309BD	SP12112G
82V52-2	PE2-52-2	SP11698	N/A	SP11695	N/A	N/A	N/A	AP11309BD	SP12112G
82V66-1	PE2-66-1	N/A	N/A	N/A	N/A	N/A	SP11699	AP11525W	SP12112G
82V66-2	PE2-66-2	SP11698	N/A	SP11695	N/A	N/A	N/A	AP11525W	SP12112G
82V80-2	PE2-80-2	SP11698	N/A	SP11695	N/A	N/A	N/A	AP11525W	SP12112G
82VH40-1	PE2H-40-1	N/A	N/A	N/A	N/A	N/A	SP11699	AP11309W	SP12112G
82VH40-2	PE2H-40-2	SP11698	N/A	SP11695	N/A	N/A	N/A	AP11309W	SP12112G
82VP30-1	PEP30-1	N/A	N/A	N/A	N/A	SP11700	SP11699	AP11525BH	N/A
82VP30-2	PEP30-2	SP11698	N/A	SP11695	N/A	N/A	N/A	AP11525BH	N/A
82VR30-2	EVR30-2	SP11698	SP11699	SP11695	SP11695	SP11700	SP11699	SP11309C	SP12039
82VR40-2	EVR40-2	SP11698	SP11699	SP11695	SP11695	SP11700	SP11699	SP11526C	SP12039
82VR52-2	EVR52-2	SP11698	SP11699	SP11695	SP11695	SP11700	SP11699	SP11526C	SP12039
82VR66-2	EVR66-2	SP11698	SP11699	SP11695	SP11695	SP11700	SP11699	SP11526C	SP12039

Residential Electric – Continued

Rheem Model Number	Ruud Model Number	Non-Sim Thermo-stat Upper	Sim Thermo-stat Upper	Non-Sim Thermo-stat Lower	Sim Thermo-stat Lower	S/E 120V	S/E 208-480V	Anode	Drain Valve
82VR80-2	EV80-2	SP11698	SP11699	SP11695	SP11695	SP11700	SP11699	SP11526C	SP12039
82XR30-2	EXR30-2	SP11698	SP11699	SP11695	SP11695	SP11700	SP11699	SP11526C	SP12039
82XR40-2	EXR40-2	SP11698	SP11699	SP11695	SP11695	SP11700	SP11699	SP11526C	SP12039
82XR52-2	EXR52-2	SP11698	SP11699	SP11695	SP11695	SP11700	SP11699	SP11526C	SP12039
82XR66-2	EXR66-2	SP11698	SP11699	SP11695	SP11695	SP11700	SP11699	SP11526C	SP12039
82XR80-2	EXR80-2	SP11698	SP11699	SP11695	SP11695	SP11700	SP11699	SP11526C	SP12039
83MVR52-2	PE3MR-52-2	SP11698	N/A	SP11695	N/A	N/A	N/A	AP11525T	SP12112T
83MVR52-2	ME3MR-52-2	SP11698	N/A	SP11695	N/A	N/A	N/A	AP11526T	SP12112T
83VR40-2	PE3R-40-2	SP11698	N/A	SP11695	N/A	N/A	N/A	AP11526T	SP12112T
83VR52-2	PE3R-52-2	SP11698	N/A	SP11695	N/A	N/A	N/A	AP11309BD	SP12112T
83VR66-2	PE3R-66-2	SP11698	N/A	SP11695	N/A	N/A	N/A	AP11525W	SP12112S
83VR80-2	PE3R-80-2	SP11698	N/A	SP11695	N/A	N/A	N/A	AP11525W	SP12112S
83XR40-2	ME3R-40-2	SP11698	N/A	SP11695	N/A	N/A	N/A	AP11526T	SP12112T
83XR52-2	ME3R-52-2	SP11698	N/A	SP11695	N/A	N/A	N/A	AP11526BD	SP12112T
83XR66-2	ME3R-66-2	SP11698	N/A	SP11695	N/A	N/A	N/A	AP11526W	SP12112S
83XR80-2	ME3R-80-2	SP11698	N/A	SP11695	N/A	N/A	N/A	AP11526W	SP12112S
8IXI20S/D	ME120-1/2	SP11698	SP11699	SP11695	SP11695	SP11700	SP11699	SP11526C	SP12039
RHEHPR040-2*	RUEHPR040-2*	SP11698	SP11699	SP11695	SP11695	SP11700	SP11699	SP11526C	SP6070G
RHEHPR040-2-A	RUEHPR040-2-A	SP11698	N/A	SP11695	N/A	N/A	N/A	AP11525W	SP12112G
RHEMPRO30-2*	RUEHPR030-2*	SP11698	SP11699	SP11695	SP11695	SP11700	SP11699	SP11526C	SP6070S
RHEMPRO30-2-A	RUEMPRO30-2-A	SP11698	N/A	SP11695	N/A	N/A	N/A	AP11526BC	SP12112G
RHEMPRO52-2*	RUEMPRO52-2*	SP11698	SP11699	SP11695	SP11695	SP11700	SP11699	SP11526C	SP6070S
RHEMPRO52-2-A	RUEHPR052-2-A	SP11698	N/A	SP11695	N/A	N/A	N/A	AP11526T	SP12112T
RHEPRO30-2*	RUEPRO30-2*	SP11698	SP11699	SP11695	SP11695	SP11700	SP11699	SP11526C	SP6070S
RHEPRO40-2*	RUEPRO40-2*	SP11698	SP11699	SP11695	SP11695	SP11700	SP11699	SP11526C	SP6070S
RHEPRO40-2-A	RUEHPR040-2-A	SP11698	N/A	SP11695	N/A	N/A	N/A	AP11526T	SP12112T
RHEPRO52-2*	RUEPRO52-2*	SP11698	SP11699	SP11695	SP11695	SP11700	SP11699	SP11526C	SP6070S
RHEPRO52-2-A	RUEPRO52-2-A	SP11698	N/A	SP11695	N/A	N/A	N/A	AP11526BD	SP12112T
RHEPRO66-2*	RUEPRO66-2*	SP11698	SP11699	SP11695	SP11695	SP11700	SP11699	SP11526C	SP6070S
RHEPRO66-2-A	RUEPRO66-2-A	SP11698	N/A	SP11695	N/A	N/A	N/A	AP11526W	SP12112S
RHEPRO80-2*	RUEPRO80-2*	SP11698	SP11699	SP11695	SP11695	SP11700	SP11699	SP11526C	SP6070S
RHEPRO80-2-A	RUEPRO80-2-A	SP11698	N/A	SP11695	N/A	N/A	N/A	AP11526W	SP12112S
RHESPRO30-2*	RUESPRO30-2*	SP11698	SP11699	SP11695	SP11695	SP11700	SP11699	SP11526C	SP6070G
RHESPRO30-2-A	RUESPRO30-2-A	SP11698	N/A	SP11695	N/A	N/A	N/A	AP11526BH	SP12112G
RHESPRO40-2*	RUESPRO40-2*	SP11698	SP11699	SP11695	SP11695	SP11700	SP11699	SP11526C	SP6070G
RHESPRO40-2-A	RUESPRO40-2-A	SP11698	N/A	SP11695	N/A	N/A	N/A	AP11526V	SP12112G
RHESPRO50-2-A	RUESPRO50-2-A	SP11698	N/A	SP11695	N/A	N/A	N/A	AP11526V	SP12112S
RHESPRO52-2*	RUESPRO52-2*	SP11698	SP11699	SP11695	SP11695	SP11700	SP11699	SP11526C	SP6070S

* EverKleen dip tubes available for PRO models

Commercial Gas

Rheem Model Number	Ruud Model Number	Drain Valve	Gas Valve Nat	Gas Value LP	Thermostat	Pilot Nat	Pilot LP	Vent Damper Assy	Ignition Control
G100-200	G100-200	SP6070E	SP10963D	SP10963E	SP11798B	SP10764B	SP10764C	AP13144	SP10763B
G100-250	G100-250	SP6070E	SP10963D	SP10963E	SP11798B	SP10764B	SP10764C	AP13149	SP10763B
G100-270/A	G100-270/A	SP6070E	SP10963D	SP10963E	AP12015-1	SP10764B	SP10764C	AP13149	SP10763B
G100-310/A	G100-310/A	SP6070E	SP10963D	SP10963E	AP12015-1	SP10764B	SP10764C	AP13152	SP10763B
G100-400/A	G100-400/A	SP6070E	SP8099N	SP8099P	AP12015-1	SP10764B	SP10764C	AP13150	SP10763B
G100-75	G100-75	SP6070E	SP12234C	SP12233C	NONE	SP8384B	SP8384D	NONE	NONE
G37-200-1	G37-200-1	AP12231B-1	SP10963D	SP10963E	SP11799	SP10764B	SP10764C	AP13155-1	SP10763B
G50-98	G50-98	SP6070E	SP10963B	SP10963C	SP11799	SP10764B	SP10764C	AM36431BH	SP10763B
G65-360/A	G65-360/A	SP6070E	SP10963D	SP10963E	AP12015-1	SP10764B	SP10764C	AP13143	SP10763B
G65-400/A	G65-400/A	SP6070E	SP10963D	SP10963E	AP12015-1	SP10764B	SP10764C	AM36426CH	SP10763B
G72-250/A	G72-250/A	SP6070E	SP10963D	SP10963E	AP12015-1	SP10764B	SP10764C	AP13153	SP10763B
G72-300/A	G72-300/A	SP6070E	SP10963D	SP10963E	AP12015-1	SP10764B	SP10764C	AP13151	SP10763B
G75-125	G75-125	SP6070E	SP10963D	SP10963E	SP11798B	SP10764B	SP10764C	AP13147	SP10763B
G75-75	G75-75	SP6070E	SP12234B	SP12233B	NONE	SP8384B	SP8384D	NONE	NONE
G82-156	G82-156	SP6070E	SP10963D	SP10963E	SP11798B	SP10764B	SP10764C	AP13148	SP10763B
G85-300-1	G85-300-1	AP12231B-1	SP10963D	SP10963E	SP11798B	SP10764B	SP10764C	AP13142	SP10763B
G85-400/A	G85-400/A	SP6070E	SP10963D	SP10963E	AP12015-1	SP10764B	SP10764C	AP13154	SP10763B
G91-200	G91-200	SP6070E	SP10963D	SP10963E	SP11798B	SP10764B	SP10764C	AP13145	SP10763B
GX90-500	GX90-500	AP12231B-1	N/A	SP12866P	SP12015-1	N/A	SP12305	AM39825	SP10763B
GX90-550	GX90-550	AP12231B-1	SP12866N	N/A	SP12015-1	SP12237	N/A	AM39825	SP10763B
GX90-600	GX90-600	AP12231B-1	N/A	SP12866P	SP12015-1	N/A	SP12305	AM39825	SP10763B
GX90-640	GX90-640	AP12231B-1	SP12866N	N/A	SP12015-1	SP12237	N/A	AM39825	SP10763B
GX90-680	GX90-680	AP12231B-1	N/A	SP12866P	SP12015-1	N/A	SP12305	AM39825	SP10763B
GX90-715	GX90-715	AP12231B-1	SP12866N	N/A	SP12015-1	SP12237	N/A	AM39825	SP10763B
Rheem Model Number	Ruud Model Number	Drain Valve	Gas Valve Nat	Gas Value LP	Thermostat	Pilot Nat	Pilot LP	Blower Assy	Ignition Control
VentMaster									
GP100-200	GP100-200	AP12231B-1	AP13714	N/A	SP11798B	AP13185-1	N/A	AP13192	SP10763B
GP100-150	GP100-150	AP12231B-1	AP13714	N/A	SP11798B	AP13185-1	N/A	AP13192	SP10763B
Rheem Model Number	Ruud Model Number	Drain Valve	Gas Valve Nat	Gas Value LP	Thermostat	Pilot Nat	Pilot LP	Vent Damper Assy	Ignition Control
Obsolete Models									
G37-160	G37-160	SP6070E	SP10963D	SP10963E	SP11799	SP10764B	SP10764C	AP13146	SP10763B
G50-60	G50-60	SP6070G	SP12234B	SP12233E	NONE	SP8384B	SP8384D	NONE	NONE
G58-50	GL50-58	SP6070E	SP12234C	SP12233C	NONE	SP8980B	SP8980C	NONE	NONE
G600-77/-A	GL77-600-A	SP6070E	SP8099N	NONE	AP12015-1	SP10764B	NONE	AM38836H	SP10763B
G60-50C	GL50-60C	SP6070G	SP12234B	SP12233B	NONE	SP8980B	SP8980C	NONE	NONE
G63-100B	GL100-63B	SP6070E	SP12234C	SP12233C	NONE	SP8384B	SP8384D	NONE	NONE
G63-50B	GL50-63B	SP6070E	SP11823D	SP12232D	NONE	SP8384B	SP8384D	NONE	NONE
G76-100B	GL100-76B	SP6070E	SP12234C	SP12233C	NONE	SP8384B	SP8384D	NONE	NONE
G76-180	G76-180	SP6070E	SP10963D	SP10963E	SP11798B	SP10764B	SP10764C	AP13145	SP10763B
G76-200	G76-200	SP6070E	SP10963D	SP10963E	SP11798B	SP10764B	SP10764C	AP13146	SP10763B
G76-50	GL50-76	SP12039	SP12234C	NONE	NONE	SP8384B	NONE	NONE	NONE
G76-62	GL62-76	SP6070E	SP10022D	NONE	NONE	SP8384B	NONE	NONE	NONE
G76-76	GL76-76	SP6070E	SP12234B	SP12233B	NONE	SP8384B	SP8384D	NONE	NONE
G76-91	GL91-76	SP6070E	SP11823D	NONE	NONE	SP8384B	NONE	NONE	NONE
G77-500/A	G77-500/A	SP6070E	SP8099N	SP8099P	AP12015-1	SP10764B	SP10764C	AM36428BH	SP10763B
G67-114	G67-114	SP6070E	SP10963B	SP10963C	SP11799	SP10764B	SP10764C	AM36431BH	SP10763B
G91-300/A	G91-300/A	SP6070E	SP10963D	SP10963E	AP12015-1	SP10764B	SP10764C	AP13142	SP10763B
GD500-77/-A	GLD77-500-A	SP6070E	SP8099N	SP8099P	AP12015-1	SP10764B	SP10764C	AM36428BH	SP10763B
GD600-77/-A	GLD77-600-A	SP6070E	SP8099N	NONE	AP12015-1	SP10764B	NONE	AM36428BH	SP10763B
R160-37	R37-160	SP6070E	SP5870E	SP5870C	SP11799	SP10399B	SP10399C	NONE	NONE
R360-65	R65-360	SP6070E	SP5870F	SP5870D	SP8824B	SP10399B	SP10399C	NONE	NONE
R400-85	R85-400	SP6070E	SP8099M/K	SP5870D	SP8824B	SP10399B	SP10399C	NONE	NONE
RCD156-82	RCD82-156	SP6070E	SP10963D/K	SP10963E/K	SP11798B	SP10764B	SP10764C	AM36424BH	SP10763B
RCD156-82-1	RCD82-156-1	SP6070E	SP10962D/K	SP10962E/K	SP11798B	SP10399B	SP10399C	AM36424BH	NONE
RCD180-98	RCD98-180	SP6070E	SP10963D/K	SP10963E/K	SP11798B	SP10764B	SP10764C	AM36424DH	SP10763B
RCD180-98-1	RCD98-180-1	SP6070E	SP10962D/K	SP10962E/K	SP11798B	SP10399B	SP10399C	AM36424DH	NONE
RCD200-100-1	RCD100-200-1	SP6070K	SP10962D/K	SP10962E/K	SP8824C	SP10399B	SP10399C	AM38634H	NONE
RCD200-76	RCD76-200	SP6070E	SP10963D/K	SP10963E/K	SP11798B	SP10764B	SP10764C	AM36424DH	SP10763B
RCD200-76-1	RCD76-200-1	SP6070E	SP10962D/K	SP10962E/K	SP11798B	SP10399B	SP10399C	AM36424DH	NONE
RCD200-91	RCD91-200	SP6070E	SP10963D/K	SP10963E/K	SP11798B	SP10764B	SP10764C	AM36424CH	SP10763B
RCD200-91-1	RCD91-200-1	SP6070E	SP10962D/K	SP10962E/K	SP11798B	SP10399B	SP10399C	AM36424CH	NONE
RCD200-92-1	RCD92-200-1	SP6070E	SP10962D/K	SP10962E/K	SP11798B	SP10399B	SP10399C	AM36424BH	NONE
RCD250-100-1	RCD100-250-1	SP6070K	SP10962D/K	SP10962E/K	SP8824C	SP10399B	SP10399C	AM36632H	NONE
RCD250-76-1	RCD76-250-1	SP6070E	SP10962D/K	SP10962E/K	SP11798B	SP10399B	SP10399C	AM36425BH	NONE
RCD250-86	RCD86-250	SP6070E	SP10963D/K	SP10963E/K	SP11798B	SP10764B	SP10764C	AM36432BH	SP10763B
RCD250-86-1	RCD86-250-1	SP6070E	SP10962D/K	SP10962E/K	SP11798B	SP10399B	SP10399C	AM36432BH	NONE
RCD300-100-1	RCD-100-300-1	SP6070E	SP10962D/K	SP10962E/K	SP11798B	SP10399B	SP10399C	AM36633H	NONE
RCD300-91	RCD91-300	SP6070E	SP10963D/K	SP10963E/K	SP11798B	SP10764B	SP10764C	AM36426CH	SP10763B
RCD300-91-1	RCD91-300-1	SP6070E	SP10962D/K	SP10962E/K	SP11798B	SP10399B	SP10399C	AM36426CH	NONE
RCD300-92-1	RCD92-300-1	SP6070E	SP10962D/K	SP10962E/K	SP11798B	SP10399B	SP10399C	AM36426BH	NONE
RD156-40	RD40-156	SP6070E	SP10963D/K	SP10963E/K	SP11799	SP10764B	SP10764C	AM36424DH	SP10763B

Commercial Gas – Continued

Rheem Model Number	Ruud Model Number	Drain Valve	Gas Valve Nat	Gas Valve LP	Thermo-stat	Pilot Nat	Pilot LP	Blower Assy	Ignition Control
RD160-37	RD37-160	SP6070E	SP10963D/K	SP10963E/K	SP11799	SP10764B	SP10764C	AM36424DH	SP10763B
RD360-65	RD65-360	SP6070E	SP10963D/K	SP10963E/K	SP11798B	SP10764B	SP10764C	AM36426BH	SP10763B
RD400-85	RD85-400	SP6070E	SP10963D/K	SP10963E/K	SP11798B	SP10764B	SP10764C	AM36427BH	SP10763B
RF200-91	RF91-200	SP6070E	SP5870E	SP5870C	SP11798B	SP10399B	SP10399C	NONE	NONE
RF250-86	RF86-250	SP6070E	SP5870F	SP5870C	SP11798B	SP10399B	SP10399C	NONE	NONE
RF300-91	RF91-300	SP6070E	SP5870F	SP5870C	SP11798B	SP10399B	SP10399C	NONE	NONE
RF98-50	RF50-98	SP6070E	SP11823D	SP12232D	NONE	SP10399B	SP10399C	NONE	NONE
RFD120-67	RFD67-120	SP6070E	SP10963B	SP10963C	SP11799	SP10764B	SP10764C	AM36431BH	SP10763B
RFD120-67-1	RFD67-120-1	SP6070E	SP10962D/K	SP10962E/K	SP11799	SP10399C	SP10399C	AM36431BH	NONE
RFD156-82	RFD82-156	SP6070E	SP10963D/K	SP10963E/K	SP11798B	SP10764B	SP10764C	AM36424BH	SP10763B
RFD156-82-1	RFD82-156-1	SP6070E	SP1096 2D/K	SP10962E/K	SP11798B	SP10399B	SP10399C	AM36424BH	NONE
RFD180-98	RFD98-180	SP6070E	SP10963D/K	SP10963E/K	SP11798B	SP10764B	SP10764C	AM36424DH	SP10763B
RFD180-98-1	RFD98-180-1	SP6070E	SP10962D/K	SP10962E/K	SP11798B	SP10399B	SP10399C	AM36424DH	NONE
RFD200-76	RFD76-200	SP6070E	SP10963D/K	SP10963E/K	SP11798B	SP10764B	SP10764C	AM36424DH	SP10763B
RFD200-76-1	RFD76-200-1	SP6070E	SP10962D/K	SP10962E/K	SP11798B	SP10399B	SP10399C	AM36424DH	NONE
RFD200-91	RFD91-200	SP6070E	SP10963D/K	SP10963E/K	SP11798B	SP10764B	SP10764C	AM36424CH	SP10763B
RFD200-91-1	RFD91-200-1	SP6070E	SP10962D/K	SP10962E/K	SP11798B	SP10399B	SP10399C	AM36424CH	NONE
RFD200-92-1	RFD92-900-1	SP6070E	SP10962D/K	SP10962E/K	SP11798B	SP10399B	SP10399C	AM36424BH	NONE
RFD250-76-1	RFD76-250-1	SP6070E	SP10962D/K	SP10962E/K	SP11798B	SP10399B	SP10399C	AM36425BH	NONE
RFD250-76A-1	RFD76A-250-1	SP6070E	SP10962D/K	SP10962E/K	AP12015-1	SP10399B	SP10399C	AM36425BH	NONE
RFD250-86	RFD86-250	SP6070E	SP10963D/K	SP10963E/K	SP11798B	SP10764B	SP10764C	AM36432BH	SP10763B
RFD250-86-1	RFD86-250-1	SP6070E	SP10962D/K	SP10962E/K	SP11798B	SP10399B	SP10399C	AM36432BH	NONE
RFD300-91	RFD91-300	SP6070E	SP10963D/K	SP10963E/K	SP11798B	SP10764B	SP10764C	AM36426CH	SP10763B
RFD300-91 -1	RFD91-300-1	SP6070E	SP10962D/K	SP10962E/K	SP11798B	SP10399B	SP10399C	AM36426CH	SP10763B
RFD300-92-1	RFD92-300-1	SP6070E	SP10962D/K	SP10962E/K	SP11798B	SP10399B	SP10399C	AM36426BH	SP10763B
RFD300-92A-1	RFD92A-300-1	SP6070E	SP10962D/K	SP10962E/K	AP12015-1	SP10399B	SP10399C	AM36426BH	SP10763B
RFD98-50	RF50-98	SP6070E	SP10963B	SP10963C	SP11799	SP10764B	SP10764C	AM36431BH	SP10763B
RFD98-50-1	RF50-98-1	SP6070E	SP10962D/K	SP10962E/K	SP11799	SP10399B	SP10399C	AM36431BH	SP10763B

Light Duty Commercial Electric

Rheem Model Number	Ruud Model Number	Non-Sim Thermo-stat Upper	Sim Thermo-stat Upper	Non-Sim Thermo-stat Lower	Sim Thermo-stat Lower	S/E 120V	S/E 208-480V	Anode	Drain Valve
ELDS30	ELDS30	SP8293	SP8294	SP8295	SP8295	SP8296	SP8294	SP11526C (24 3/8)	SP6070S
ELDS40	ELDS40	SP8293	SP8294	SP8295	SP8295	SP8296	SP8294	SP11526C (25 3/8)	SP6070S
ELD40	ELD40	SP8293	SP8294	SP8295	SP8295	SP8296	SP8294	SP11526C (39 3/8)	SP6070S
ELDS50	ELDS50	SP8293	SP8294	SP8295	SP8295	SP8296	SP8294	SP11526C (32 3/8)	SP6070S
ELD52	ELD52	SP8293	SP8294	SP8295	SP8295	SP8296	SP8294	SP11526C (50 3/8)	SP6070S
ELD66	ELD66	SP8293	SP8294	SP8295	SP8295	SP8296	SP8294	SP11526C (53 3/8)	SP6070S
ELD80	ELD80	SP8293	SP8294	SP8295	SP8295	SP8296	SP8294	SP11526C (53 3/8)	SP6070S
ELD120	ELD120	SP8293	SP8294	SP8295	SP8295	SP8296	SP8294	SP11526C (56 3/8)	SP6070S
Obsolete Models									
ELD40	ELDR40	SP8293	SP8294	SP8295	SP8295	SP8296	SP8294	SP11526C (39 3/8)	SP6070S
ELD52	ELDR52	SP8293	SP8294	SP8295	SP8295	SP8296	SP8294	SP11526C (50 3/8)	SP6070S
ELD80	ELDR80	SP8293	SP8294	SP8295	SP8295	SP8296	SP8294	SP11526C (53 3/8)	SP6070S
ELD120	ELDR120	SP8293	SP8294	SP8295	SP8295	SP8296	SP8294	SP11526C (56 3/8)	SP6070S
ELDS30	ELDRS30	SP8293	SP8294	SP8295	SP8295	SP8296	SP8294	SP11526C (24 3/8)	SP6070S
ELDS40	ELDRS40	SP8293	SP8294	SP8295	SP8295	SP8296	SP8294	SP11526C (25 3/8)	SP6070S
ELDS52	ELDRS52	SP8293	SP8294	SP8295	SP8295	SP8296	SP8294	SP11526C (32 3/8)	SP6070S

EGSP – Commercial Electric

Rheem Model Number	Ruud Model Number	Non-Sim Thermo-stat Upper	Sim Thermo-stat Upper	Non-Sim Thermo-stat Lower	Sim Thermo-stat Lower	S/E 120V	S/E 208-480V	Anode	Drain Valve
EGSP2		SP11699	SP11699	SP11695	SP11699	SP11700	SP11699	SP11309C (11 3/8)	None
EGSP6		SP11699	SP11699	SP11695	SP11699	SP11700	SP11699	SP11309C (11 3/8)	None
EGSP10		SP11699	SP11699	SP11695	SP11699	SP11700	SP11699	SP11309C (11 3/8)	None
EGSP15		SP11699	SP11699	SP11695	SP11699	SP11700	SP11699	SP11309C (11 3/8)	None
EGSP20		SP11699	SP11699	SP11695	SP11699	SP11700	SP11699	SP11309C (11 3/8)	None
EGSP30		SP11699	SP11699	SP11695	SP11699	SP11700	SP11699	SP11309C (11 3/8)	None
Obsolete Models									
EGSP6S	EGLSP6S	SP11699	SP11699	SP11695	SP11699	SP11700	SP11699	SP11309C (11 3/8)	None
EGSP20S	EGLSP20S	SP11699	SP11699	SP11695	SP11699	SP11700	SP11699	SP11309C (20 3/8)	None
EGSP15S	EGLSP15S	SP11699	SP11699	SP11695	SP11699	SP11700	SP11699	SP11309C (20 3/8)	None
EGSP10S	EGLSP10S	SP11699	SP11699	SP11695	SP11699	SP11700	SP11699	SP11309C (20 3/8)	None

Heavy Duty Commercial Electric

* Heaters manufactured after 10-95 use SP11805 - Thermostat

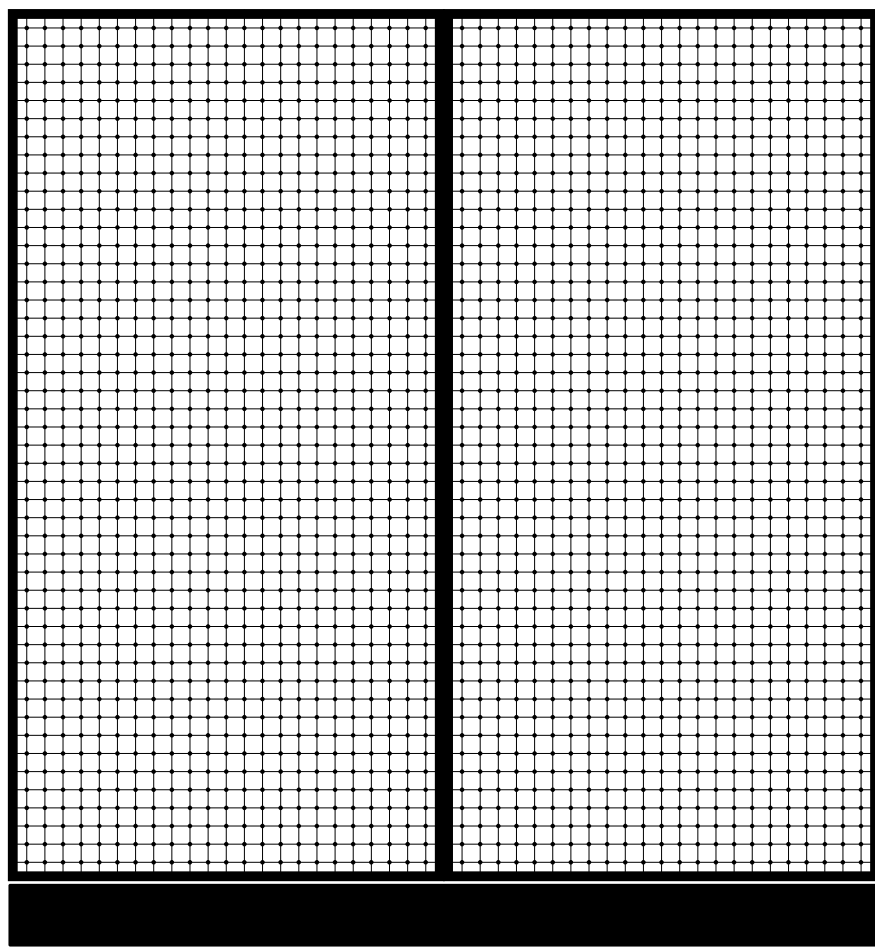
** Heaters manufactured after 10-95 use SP11806 - High Limit

Rheem Model Number	Ruud Model Number	Drain Valve	Thermostat	High Limit	Transformer	Contacto	Element Fuse	Transformer Fuse	Relief Valve 6-27KW	Relief Valve 30-81KW
E(18-36KW)-10G		SP6070G	SP8260	SP5411	SP10006	SP7861B	SP8264M	SP8264R	SP12574	SP9013D
E(18-36KW)-120G		SP6070G	SP11805	SP11806	SP10006	SP7861B	SP8264M	SP8264R	SP12574	SP9013D
E(18-36KW)-50G		SP6070G	SP11805	SP11806	SP10006	SP7861B	SP8264M	SP8264R	SP12574	SP9013D
E(24-36KW)-85G		SP6070G	SP11805	SP11806	SP10006	SP7861B	SP8264M	SP8264R	SP12574	SP9013D
E(3-18KW)-20G		AP12231C-1	SP11805	SP11806	SP10006	SP12841	SP8264K	SP8264R	SP12575B	NONE
E(3-36KW)-30G		AP12231C-1	SP11805	SP11806	SP10006	SP12841	SP8264K	SP8264R	NONE	SP9013E
E(3-36KW)-40G		AP12231C-1	SP11805	SP11806	SP10006	SP12841	SP8264M	SP8264R	NONE	SP9013E
E(36-54KW)-10G		SP6070G	SP8260	SP5411	SP10006	SP7861B	SP8264K	SP8264R	SP12574	SP9013D
E(36-54KW)-120G		SP6070G	SP11805	SP11806	SP10006	SP7861B	SP8264K	SP8264R	SP12574	SP9013D
E(36-54KW)-50G		SP6070G	SP11805	SP11806	SP10006	SP7861B	SP8264K	SP8264R	SP12574	SP9013D
E(36-54KW)-85G		SP6070G	SP11805	SP11806	SP10006	SP7861B	SP8264K	SP8264R	SP12574	SP9013D
E(3-9KW)-12G		AP12231C-1	SP11805	SP11806	SP10006	SP12841	SP8264M	SP8264R	SP12575B	NONE
E(6-18KW)-10G		SP6070G	SP8260	SP5411	SP10006	SP7861B	SP8264M	SP8264R	SP12574	NONE
E(6-18KW)-120G		SP6070G	SP11805	SP11806	SP10006	SP7861B	SP8264M	SP8264R	SP12574	SP9013D
E(6-18KW)-50G		SP6070G	SP11805	SP11806	SP10006	SP7861B	SP8264M	SP8264R	NONE	SP12574
E(6-18KW)-85G		SP6070G	SP11805	SP11806	SP10006	SP7861B	SP8264M	SP8264R	SP12574	SP9013D
E(81KW)-120G		AP12231C-1	SP11805	SP11806	SP10006	SP12841	SP8264K	SP8264R	NONE	SP9013E
E(81KW)-85G		AP12231C-1	SP11805	SP11806	SP10006	SP12841	SP8264K	SP8264R	NONE	SP9013E
ES(18-36)KW-85G		SP6070G	SP11231	NONE	SP10006	SP7861B	SP8264K	SP8264R	SP12574	SP9013D
ES(18-36KW)-120G		SP6070G	SP11231	NONE	SP10006	SP7861B	SP8264K	SP8264R	SP12574	SP9013D
ES(18-36KW)-50G		SP6070G	SP11231	NONE	SP10006	SP7861B	SP8264M	SP8264R	SP12574	SP9013D
ES(36-54KW)-120G		SP6070G	SP11231	NONE	SP10006	SP7861B	SP8264K	SP8264R	SP12574	SP9013D
ES(36-54KW)-50G		SP6070G	SP11231	NONE	SP10006	SP7861B	SP8264K	SP8264R	SP12574	SP9013D
ES(36-54KW)-85G		SP6070G	SP11231	NONE	SP10006	SP7861B	SP8264K	SP8264R	SP12574	SP9013D
ES(6-18KW)-120G		SP6070G	SP11231	NONE	SP10006	SP7861B	SP8264M	SP8264R	SP12574	NONE
ES(6-18KW)-50G		SP6070G	SP11231	NONE	SP10006	SP7861B	SP8264M	SP8264R	SP12574	NONE
ES(6-18KW)-85G		SP6070G	SP11231	NONE	SP10006	SP7861B	SP8264M	SP8264R	SP12574	SP9013D
Obsolete Models										
EG(06-18KW)-10G	EGL(06-18KW)-10G	SP6070G	SP8260	SP5411	SP10006	SP7861B	SP8264M	SP8264R	SP12574	NONE
EG(06-18KW)-10G.GN	EGL(06-18KW)-10G.GN	SP6070G	SP8260	SP5411	SP10006	SP7861B	SP8264M	SP8264R	SP12574	NONE
EG(06-18KW)-10T	EGL(06-18KW)-10T	SP6070G	SP8260	SP5411	SP10006	SP7861B	NONE	NONE	SP12574	NONE
EG(06-18KW)-120G	EGL(06-18KW)-120G	SP6070G	SP8260	SP5411	SP10006	SP7861B	SP8264M	SP8264R	SP12574	NONE
EG(06-18KW)-120GN	EGL(06-18KW)-120GN	SP6070G	SP8260	SP5411	SP10006	SP7861B	SP8264M	SP8264R	SP12574	NONE
EG(06-18KW)-120GN	EGL(06-18KW)-120GN	SP6070G	SP8260	SP5411	SP10006	SP7861B	NONE	SP8264R	SP12574	NONE
EG(06-18KW)-120GN	EGL(06-18KW)-120GN	SP6070G	SP8260	SP5411	SP10006	SP7861B	NONE	SP8264R	SP12574	NONE
EG(06-18KW)-120T	EGL(06-18KW)	SP6070G	SP8260	SP5411	SP10006	SP7861B	NONE	NONE	SP12574	NONE
EG(06-18KW)-120TN	EGL(06-18KW)	SP6070G	SP8260	SP5411	SP10006	SP7861B	NONE	NONE	SP12574	NONE
EG(06-18KW)-50G	EGL(06-18KW)-50G	SP6070G	SP8260	SP5411	SP10006	SP7861B	SP8264M	SP8264R	SP12574	NONE
EG(06-18KW)-50G	EGL(06-18KW)-50G	SP6070G	SP8260	SP5411	SP10006	SP7861B	SP8264M	SP8264R	SP12574	NONE
EG(06-18KW)-50GN	EGL(06-18KW)-50GN	SP6070G	SP8260	SP5411	SP10006	SP7861B	NONE	SP8264R	SP12574	NONE
EG(06-18KW)-50T	EGL(06-18KW)-50T	SP6070G	SP8260	SP5411	SP10006	SP7861B	NONE	NONE	SP12574	NONE
EG(06-18KW)-50TN	EGL(06-18KW)-50TN	SP6070G	SP8260	SP5411	SP10006	SP7861B	NONE	SP8264R	SP12574	NONE
EG(06-18KW)-85G	EGL(06-18KW)-85G	SP6070G	SP8260	SP5411	SP10006	SP7861B	SP8264M	SP8264R	SP12574	NONE
EG(06-18KW)-85G	EGL(06-18KW)-85G	SP6070G	SP8260	SP5411	SP10006	SP7861B	SP8264M	SP8264R	SP12574	NONE
EG(06-18KW)-85GN	EGL(06-18KW)-85GN	SP6070G	SP8260	SP5411	SP10006	SP7861B	NONE	SP8264R	SP12574	NONE
EG(06-18KW)-85GN	EGL(06-18KW)-85GN	SP6070G	SP8260	SP5411	SP10006	SP7861B	NONE	SP8264R	SP12574	NONE
EG(06-18KW)-85T	EGL(06-18KW)-85T	SP6070G	SP8260	SP5411	SP10006	SP7861B	NONE	NONE	SP12574	NONE
EG(06-18KW)-85TN	EGL(06-18KW)-85TN	SP6070G	SP8260	SP5411	SP10006	SP7861B	NONE	SP8264R	SP12574	NONE
EG(18-36KW)-10G	EGL(18-36KW)-10G	SP6070G	SP8260	SP5411	SP10006	SP7861B	SP8264K	SP8264R	SP12574	SP9013D
EG(18-36KW)-10G.GN	EGL(18-36KW)-10G.GN	SP6070G	SP8260	SP5411	SP10006	SP7861B	SP8264M	SP8264R	SP12574	SP9013D
EG(18-36KW)-10GN	EGL(18-36KW)-10GN	SP6070G	SP8260	SP5411	SP10006	SP7861B	NONE	SP8264R	SP12574	SP9013D
EG(18-36KW)-10GS	EGL(18-36KW)-10GS	SP6070G	SP8260	SP5411	SP10006	SP7861B	SP8264K	SP8264R	SP12574	SP9013D
EG(18-36KW)-10GS	EGL(18-36KW)-10GS	SP6070G	SP8260	SP5411	SP10006	SP7861B	SP8264K	SP8264R	SP12574	SP9013D
EG(18-36KW)-10GSN	EGL(18-36KW)-10GSN	SP6070G	SP8260	SP5411	SP10006	SP7861B	SP8264M	SP8264R	SP12574	SP9013D
EG(18-36KW)-10T	EGL(18-36KW)-10T	SP6070G	SP8260	SP5411	SP10006	SP7861B	NONE	NONE	SP12574	SP9013D
EG(18-36KW)-10TS	EGL(18-36KW)-10TS	SP6070G	SP8260	SP5411	SP10006	SP7861B	NONE	NONE	SP12574	SP9013D
EG(18-36KW)-120G	EGL(18-36KW)-120G	SP6070G	SP8260	SP5411	SP10006	SP7861B	SP8264M	SP8264R	SP12574	SP9013D
EG(18-36KW)-120G	EGL(18-36KW)-120G	SP6070G	SP8260	SP5411	SP10006	SP7861B	SP8264M	SP8264R	SP12574	SP9013D
EG(18-36KW)-120GN	EGL(18-36KW)-120GN	SP6070G	SP8260	SP5411	SP10006	SP7861B	NONE	SP8264R	SP12574	SP9013D
EG(18-36KW)-120GN	EGL(18-36KW)-120GN	SP6070G	SP8260	SP5411	SP10006	SP7861B	NONE	SP8264R	SP12574	SP9013D
EG(18-36KW)-120GS	EGL(18-36KW)-120GS	SP6070G	SP8260	SP5411	SP10006	SP7861B	SP8264M	SP8264R	SP12574	SP9013D
EG(18-36KW)-120GS	EGL(18-36KW)-120GS	SP6070G	SP8260	SP5411	SP10006	SP7861B	SP8264M	SP8264R	SP12574	SP9013D
EG(18-36KW)-120GSN	EGL(18-36KW)-120GSN	SP6070G	SP8260	SP5411	SP10006	SP7861B	NONE	SP8264R	SP12574	SP9013D
EG(18-36KW)-120GSN	EGL(18-36KW)-120GSN	SP6070G	SP8260	SP5411	SP10006	SP7861B	NONE	SP8264R	SP12574	SP9013D
EG(18-36KW)-120T	EGL(18-36KW)-120T	SP6070G	SP8260	SP5411	SP10006	SP7861B	SP8892C	SP8892E	SP12574	SP9013D
EG(18-36KW)-120TS	EGL(18-36KW)-120TS	SP6070G	SP8260	SP5411	SP10006	SP7861B	SP8892C	SP8892E	SP12574	SP9013D
EG(18-36KW)-50G	EGL(18-36KW)-50G	SP6070G	SP8260	SP5411	SP10006	SP7861B	SP8264M	SP8264R	SP12574	SP9013D
EG(18-36KW)-50G	EGL(18-36KW)-50G	SP6070G	SP8260	SP5411	SP10006	SP7861B	SP8264M	SP8264R	SP12574	SP9013D
EG(18-36KW)-50GN	EGL(18-36KW)-50GN	SP6070G	SP8260	SP5411	SP10006	SP7861B	NONE	SP8264R	SP12574	SP9013D
EG(18-36KW)-50GN	EGL(18-36KW)-50GN	SP6070G	SP8260	SP5411	SP10006	SP7861B	NONE	SP8264R	SP12574	SP9013D
EG(18-36KW)-50GS	EGL(18-36KW)-50GS	SP6070G	SP8260	SP5411	SP10006	SP7861B	SP8264K	SP8264R	SP12574	SP9013D

Heavy Duty Commercial Electric – Continued

Rheem Model Number	Ruud Model Number	Drain Valve	Therm-ostat	High Limit	Trans-former	Contactor	Element Fuse	Trans-former Fuse	Relief Valve 6-27KW	Relief Valve 30-81KW
EG(18-36KW)-50GS	EGL(18-36KW)-50GS	SP6070G	SP8260	SP5411	SP10006	SP7861B	SP8264K	SP8264R	SP12574	SP9013D
EG(18-36KW)-50GSN	EGL(18-36KW)-50GSN	SP6070G	SP8260	SP5411	SP10006	SP7861B	NONE	SP8264R	SP12574	SP9013D
EG(18-36KW)-50GSN	EGL(18-36KW)-50GSN	SP6070G	SP8260	SP5411	SP10006	SP7861B	NONE	SP8264R	SP12574	SP9013D
EG(18-36KW)-50T	EGL(18-36KW)-50T	SP6070G	SP8260	SP5411	SP10006	SP7861B	SP8892C	SP8892E	SP12574	SP9013D
EG(18-36KW)-50TS	EGL(18-36KW)-50TS	SP6070G	SP8260	SP5411	SP10006	SP7861B	SP8892C	SP8892E	SP12574	SP9013D
EG(18-36KW)-85G	EGL(18-36KW)-85G	SP6070G	SP8260	SP5411	SP10006	SP7861B	SP8264M	SP8264R	SP12574	SP9013D
EG(18-36KW)-85G	EGL(18-36KW)-85G	SP6070G	SP8260	SP5411	SP10006	SP7861B	SP8264M	SP8264R	SP12574	SP9013D
EG(18-36KW)-85GS	EGL(18-36KW)-85GS	SP6070G	SP8260	SP5411	SP10006	SP7861B	SP8264M	SP8264R	SP12574	SP9013D
EG(18-36KW)-85GS	EGL(18-36KW)-85GS	SP6070G	SP8260	SP5411	SP10006	SP7861B	SP8264M	SP8264R	SP12574	SP9013D
EG(18-36KW)-85GSN	EGL(18-36KW)-85GSN	SP6070G	SP8260	SP5411	SP10006	SP7861B	NONE	SP8264R	SP12574	SP9013D
EG(18-36KW)-85GSN	EGL(18-36KW)-85GSN	SP6070G	SP8260	SP5411	SP10006	SP7861B	NONE	SP8264R	SP12574	SP9013D
EG(18-36KW)-85T	EGL(18-36KW)-85T	SP6070G	SP8260	SP5411	SP10006	SP7861B	SP8892E	SP8892C	SP12574	SP9013D
EG(18-36KW)-85TS	EGL(18-36KW)-85TS	SP6070G	SP8260	SP5411	SP10006	SP7861B	SP8892C	SP8264R	SP12574	SP9013D
EG(24-36KW)-10GSN	EGL(24-36KW)-10GSN	SP6070G	SP8260	SP5411	SP10006	SP7861B	NONE	SP8264R	SP12574	SP9013D
EG(24-36KW)-10TSN	EGL(24-36KW)-10TSN	SP6070G	SP8260	SP5411	SP10006	SP8266K	NONE	SP8264R	SP12574	SP9013D
EG(24-36KW)-120TN	EGL(24-36KW)-120TN	SP6070G	SP8260	SP5411	SP10006	SP7861B	NONE	SP8264R	SP12574	SP9013D
EG(24-36KW)-120TSN	EGL(24-36KW)-120TSN	SP6070G	SP8260	SP5411	SP10006	SP7861B	NONE	SP8264R	SP12574	SP9013D
EG(24-36KW)-50TN	EGL(24-36KW)-50TN	SP6070G	SP8260	SP5411	SP10006	SP7861B	NONE	SP8264R	SP12574	SP9013D
EG(24-36KW)-50TSN	EGL(24-36KW)-50TSN	SP6070G	SP8260	SP5411	SP10006	SP7861B	NONE	SP8264R	SP12574	SP9013D
EG(24-36KW)-85TN	EGL(24-36KW)-85TN	SP6070G	SP8260	SP5411	SP10006	SP7861B	NONE	SP8264R	SP12574	SP9013D
EG(24-36KW)-85TSN	EGL(24-36KW)-85TSN	SP6070G	SP8260	SP5411	SP10006	SP7861B	NONE	SP8264R	SP12574	SP9013D
EG(36-54KW)-10G	EGL(36-54KW)-10G	SP6070G	SP8260	SP5411	SP10006	SP7861B	SP8264K	SP8264R	NONE	SP9013D
EG(36-54KW)-10G	EGL(36-54KW)-10G	SP6070G	SP8260	SP5411	SP10006	SP7861B	SP8264K	SP8264R	NONE	SP9013D
EG(36-54KW)-10GS	EGL(36-54KW)-10GS	SP6070G	SP8260	SP5411	SP10006	SP7861B	SP8264K	SP8264R	NONE	SP9013D
EG(36-54KW)-10GS	EGL(36-54KW)-10GS	SP6070G	SP8260	SP5411	SP10006	SP7861B	SP8264K	SP8264R	NONE	SP9013D
EG(36-54KW)-120G	EGL(36-54KW)-120G	SP6070G	SP8260	SP5411	SP10006	SP7861B	SP8264K	SP8264R	NONE	SP9013D
EG(36-54KW)-120G	EGL(36-54KW)-120G	SP6070G	SP8260	SP5411	SP10006	SP7861B	SP8264K	SP8264R	NONE	SP9013D
EG(36-54KW)-120GS	EGL(36-54KW)-120GS	SP6070G	SP8260	SP5411	SP10006	SP7861B	SP8264K	SP8264R	NONE	SP9013D
EG(36-54KW)-120GS	EGL(36-54KW)-120GS	SP6070G	SP8260	SP5411	SP10006	SP7861B	SP8264K	SP8264R	NONE	SP9013D
EG(36-54KW)-50G	EGL(36-54KW)-50G	SP6070G	SP8260	SP5411	SP10006	SP7861B	SP8264K	SP8264R	NONE	SP9013D
EG(36-54KW)-50G	EGL(36-54KW)-50G	SP6070G	SP8260	SP5411	SP10006	SP7861B	SP8264K	SP8264R	NONE	SP9013D
EG(36-54KW)-50GS	EGL(36-54KW)-50GS	SP6070G	SP8260	SP5411	SP10006	SP7861B	SP8264K	SP8264R	NONE	SP9013D
EG(36-54KW)-85G	EGL(36-54KW)-85G	SP6070G	SP8260	SP5411	SP10006	SP7861B	SP8264K	SP8264R	NONE	SP9013D
EG(36-54KW)-85G	EGL(36-54KW)-85G	SP6070G	SP8260	SP5411	SP10006	SP7861B	SP8264K	SP8264R	NONE	SP9013D
EG(36-54KW)-85GS	EGL(36-54KW)-85GS	SP6070G	SP8260	SP5411	SP10006	SP7861B	SP8264K	SP8264R	NONE	SP9013D
EG(36-54KW)-85GS	EGL(36-54KW)-85GS	SP6070G	SP8260	SP5411	SP10006	SP7861B	SP8264K	SP8264R	NONE	SP9013D
EG(45-54KW)-IOT	EGL(45-54KW)-IOT	SP6070G	SP8260	SP5411	SP10006	SP7861B	SP8892C	SP8892E	NONE	SP9013D
EG(45-54KW)-10TS	EGL(45-54KW)-10TS	SP6070G	SP8260	SP5411	SP10006	SP8266K	SP8892C	SP8892E	NONE	SP9013D
EG(45-54KW)-120T	EGL(45-54KW)-120T	SP6070G	SP8260	SP5411	SP10006	SP7861B	SP8892C	SP8892E	NONE	SP9013D
EG(45-54KW)-120TS	EGL(45-54KW)-120TS	SP6070G	SP8260	SP5411	SP10006	SP7861B	SP8892C	SP8892E	NONE	SP9013D
EG(45-54KW)-50T	EGL(45-54KW)-50T	SP6070G	SP8260	SP5411	SP10006	SP7861B	SP8892C	SP8892E	NONE	SP9013D
EG(45-54KW)-50TS	EGL(45-54KW)-50TS	SP6070G	SP8260	SP5411	SP10006	SP7861B	SP8892C	SP8892E	NONE	SP9013D
EG(45-54KW)-85T	EGL(45-54KW)-85T	SP6070G	SP8260	SP5411	SP10006	SP7861B	SP8892C	SP8892E	NONE	SP9013D
EG(45-54KW)-85TS	EGL(45-54KW)-85TS	SP6070G	SP8260	SP5411	SP10006	SP7861B	SP8892C	SP8892E	NONE	SP9013D
EG(36-54KW)-50GS	EGL(36-54KW)-50GS	SP6070G	SP8260	SP5411	SP10006	SP7861B	SP8264K	SP8264R	NONE	SP9013D
EGS(06-18KW)-120G	EGLS(06-18KW)-120G	SP6070G	SP11231	NONE	NONE	NONE	SP8264M	NONE	SP12574	NONE
EGS(06-18KW)-120G	EGLS(06-18KW)-120G	SP6070G	SP11231	NONE	NONE	NONE	SP8264M	SP8264R	SP12574	NONE
EGS(06-18KW)-120T	EGLS(06-18KW)-120T	SP6070G	SP11231	NONE	SP10006	SP7861B	SP8892C	SP8892E	SP12574	NONE
EGS(06-18KW)-50G	EGLS(06-18KW)-50G	SP6070G	SP11231	NONE	NONE	NONE	SP8264M	SP8264R	SP12574	NONE
EGS(06-18KW)-50G	EGLS(06-18KW)-50G	SP6070G	SP11234	NONE	SP10006	SP7861B	SP8264M	SP8264R	SP12574	NONE
EGS(06-18KW)-50T	EGLS(06-18KW)-50T	SP6070G	SP11234	NONE	SP10006	SP7861B	SP8892C	SP8892E	SP12574	NONE
EGS(16-18KW)-85G	EGLS(16-18KW)-85G	SP6070G	SP11231	NONE	NONE	NONE	SP8264M	SP8264R	SP12574	NONE
EGS(06-18KW)-85G	EGLS(06-18KW)-85G	SP6070G	SP11231	NONE	SP10006	SP7861B	SP8264M	SP8264R	SP12574	NONE
EGS(06-18KW)-85T	EGLS(06-18KW)-85T	SP6070G	SP11231	NONE	SP10006	SP7861B	SP8892C	SP8892E	SP12574	NONE
EGS(18-36KW)-120G	EGLS(18-36KW)-120G	SP6070G	SP11231	NONE	NONE	NONE	SP8264K	SP8264R	SP12574	SP9013D
EGS(18-36KW)-120G	EGLS(18-36KW)-120G	SP6070G	SP11231	NONE	SP10006	SP7861B	SP8264K	SP8264R	SP12574	SP9013D
EGS(18-36KW)-120T	EGLS(18-36KW)-120T	SP6070G	SP11231	NONE	SP10006	SP7861B	SP8892C	SP8892E	SP12574	SP9013D
EGS(18-36KW)-50G	EGLS(18-36KW)-50G	SP6070G	SP11231	NONE	NONE	NONE	SP8264M	SP8264R	SP12574	SP9013D
EGS(18-36KW)-50G	EGLS(18-36KW)-50G	SP6070G	SP11234	NONE	SP10006	SP7861B	SP8264M	SP8264R	SP12574	SP9013D
EGS(18-36KW)-50T	EGLS(18-36KW)-50T	SP6070G	SP11234	NONE	SP10006	SP7861B	SP8892C	SP8892E	SP12574	SP9013D
EGS(18-36KW)-85G	EGLS(18-36KW)-85G	SP6070G	SP11231	NONE	NONE	NONE	SP8264M	SP8264R	SP12574	SP9013D
EGS(L 8-36KW)-85G	EGLS(L 8-36KW)-85G	SP6070G	SP11231	NONE	SP10006	SP7861B	SP8264M	SP8264R	SP12574	SP9013D
EGS(18-36KW)-85T	EGLS(18-36KW)-85T	SP6070G	SP11231	NONE	SP10006	SP7861B	SP8892C	SP8892E	SP12574	SP9013D
EGS(36-54KW)-120G	EGLS(36-54KW)-120G	SP6070G	SP11231	NONE	NONE	NONE	SP8264K	SP8264R	NONE	SP9013D
EGS(36-54KW)-120G	EGLS(36-54KW)-120G	SP6070G	SP11231	NONE	SP10006	SP7861B	SP8264K	SP8264R	NONE	SP9013D
EGS(36-54KW)-50G	EGLS(36-54KW)-50G	SP6070G	SP11234	NONE	SP10006	SP7861B	SP8264M	SP8264R	NONE	SP9013D
EGS(36-54KW)-85G	EGLS(36-54KW)-85G	SP6070G	SP11231	NONE	SP10006	SP7861B	SP8264M	SP8264R	NONE	SP9013D
EGS(36-54KW)-85G	EGLS(36-54KW)-85G	SP6070G	SP11231	NONE	NONE	NONE	SP8264M	SP8264R	NONE	SP9013D
EGS(45-54KW)-120T	EGLS(45-54KW)-120T	SP6070G	SP11231	NONE	SP10006	SP7861B	SP8892C	SP8264R	NONE	SP9013D
EGS(45-54KW)-50T	EGLS(45-54KW)-50T	SP6070G	SP11234	NONE	SP10006	SP7861B	SP8264M	SP8264R	NONE	SP9013D
EGS(45-54KW)-85T	EGLS(45-54KW)-85T	SP6070G	SP11231	NONE	SP10006	SP7861B	SP8892C	SP8264R	NONE	SP9013D

4' x 4' PARTS DISPLAY FOR GAS AND ELECTRIC MARKET



AP13266 Display unit (Empty)

Preferred Gas and Electric Parts

SP13266 (with parts shown below)

SP6571B	Relief Valve	3 each
SP12039	Melet Drain Valve	3 each
SP20009	Basic Install Kit 12"	3 each
SP20011	Installation Kit Electric	3 each
SP11695	Lower Electric T'stat	3 each
SP11698	Upper Electric T'stat	3 each
SP10552ML	4500W 240V LWD Resistor	3 each
SP11699	Single Element Thermostat	3 each
SP10552KH	3500W 240V High Watt	3 each
SP35871AB	Element wrench	3 each
SP10374	Compression Fitting 3/4"	3 each
SP10354	Compression Fitting 1/2"	3 each
SP20003	Heat Trap Nipple Kit	3 each
SP10552PL	5500W 240V Low Watt	3 each
SP10972	Hot surface Ignitor	3 each
SP6379R	Thermocouple 24"	3 each
SP6379K	Thermocouple 17"	3 each
SP8379G	Plastic Lined Nipple 2 1/4"	3 each
SP8346	Relief Valve Long Shank	3 each
SP8980B	Gas Pilot (Natural)	3 each
SP8980C	Gas Pilot (LP)	3 each
SP8555B	Gas Thermostat-Natural	3 each
SP12258B	Gas Thermostat-LP	3 each
SP10552MH	4500W 240V HWD Resistor	3 each
SP10869MM	4500W 240V SS Resistor	3 each
SP20010	Installation Kit-Gas	3 each
SP20060	Plumbers Pack	3 each
SP6830	Adapt-o-Flange	3 each

Universal Gas and Electric Parts

UV13266 (with parts shown below)

UV12899	4500W 240V HWD Non-resistor	3 each
UV12901	4500W 240V LWD Non-resistor	3 each
UV12904	4500W 240V SS Non-Resistor	3 each
UV20016	Installation Kit-Gas	3 each
UV20010	Basic Installation Kit 15"	3 each
UV13359	Upper Electric T'stat	3 each
UV13360	Lower Electric T'stat	3 each
UV20015	Installation Kit 12" Gas	3 each
UV12039	Melet Drain Valve	3 each
UV12927	Stainless Steel Water Conn 12"	3 each
UV6830	Adapt-o-Flange	3 each
UV8555B	Gas Thermostat-Natural	3 each
UV6379L	Thermocouple Kit 18"	3 each
UV6379H	Thermocouple Kit 30"	3 each
UV6379R	Thermocouple Kit 24"	3 each
UV6379S	Thermocouple Kit 36"	3 each
UV10351	Copper Flex Water Conn 12"	3 each
UV20014	Installation Kit 18" Electric	3 each
UV6371B	Relief Valve	3 each
UV12992	Heat Trap Nipple Kit	3 each
UV20018	Plumbers Pack	3 each
UV38628	Element Wrench	3 each
UV12914	Gasket Kit	3 each
UV12258B	Gas Thermostat-LP	3 each
UV10374	3/4" Compression Fitting	3 each
UV10354	1/2" Compression Fitting	3 each

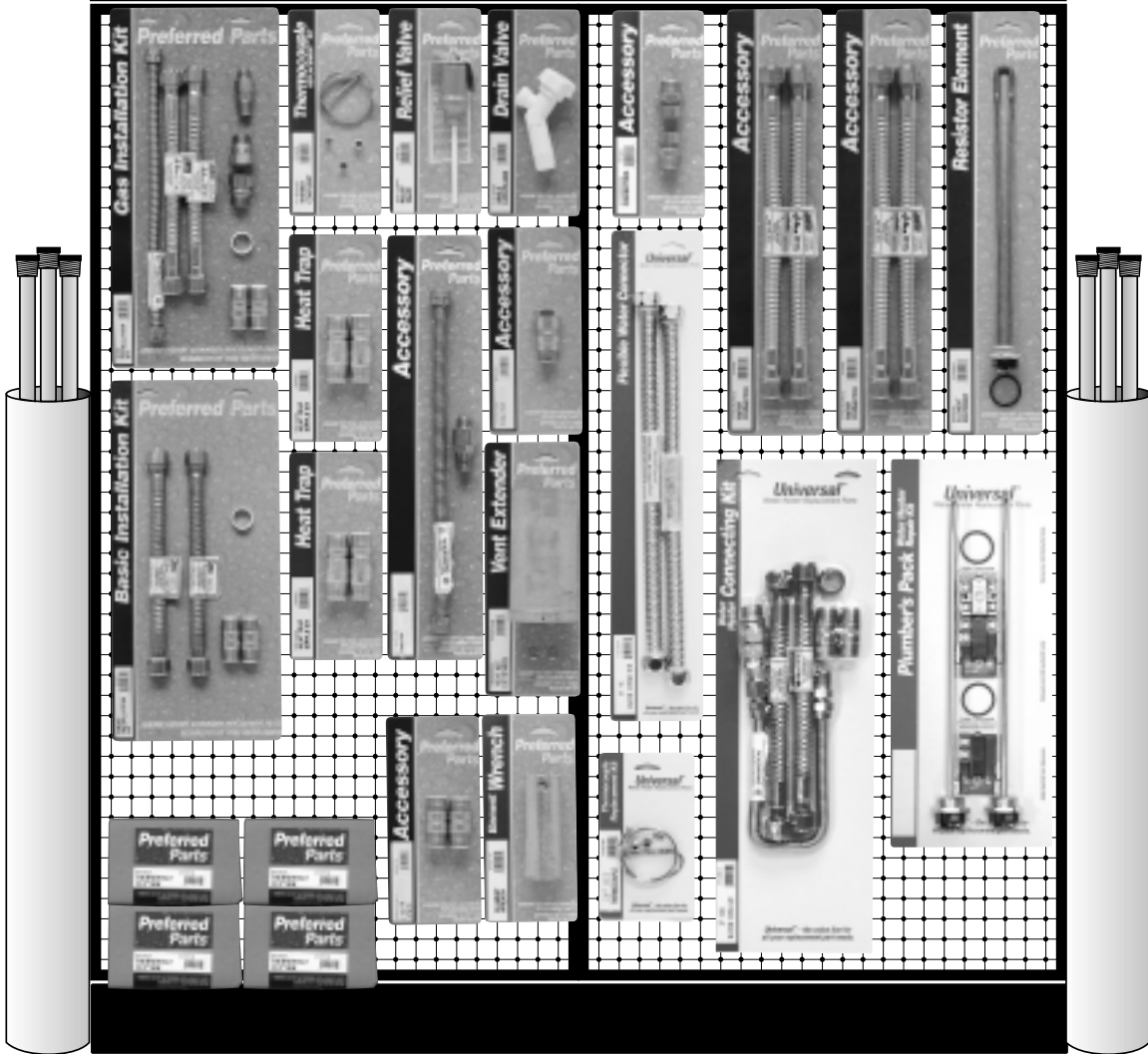
4' x 4' PLANOGRAM FOR GAS PREDOMINANT MARKET



**parts
central**

Preferred Parts™
The premium line of approved
replacement parts.

Universal™ Parts
The value line for all your
replacement parts needs.



PREFERRED PARTS / UNIVERSAL PARTS PLANOGRAMS

To place your order call 1-800-621-5622; fax 1-800-535-9538

4' x 4' PLANOGRAM FOR ELECTRIC PREDOMINANT MARKET

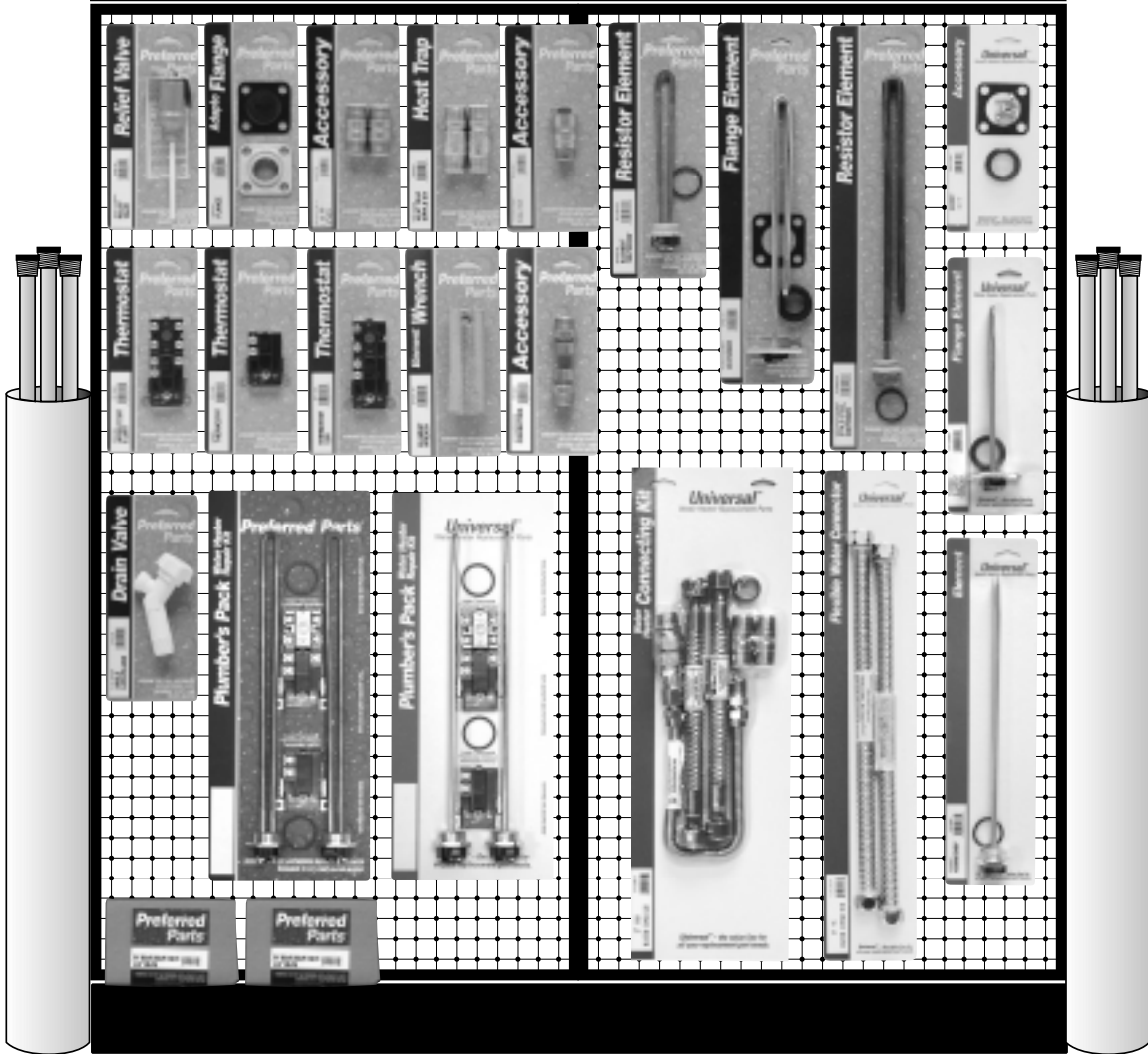
PREFERRED PARTS / UNIVERSAL PARTS PLANOGRAMS



**parts
central**

Preferred Parts™
The premium line of approved
replacement parts.

Universal™ Parts
The value line for all your
replacement parts needs.



To place your order call 1-800-621-5622; fax 1-800-535-9538

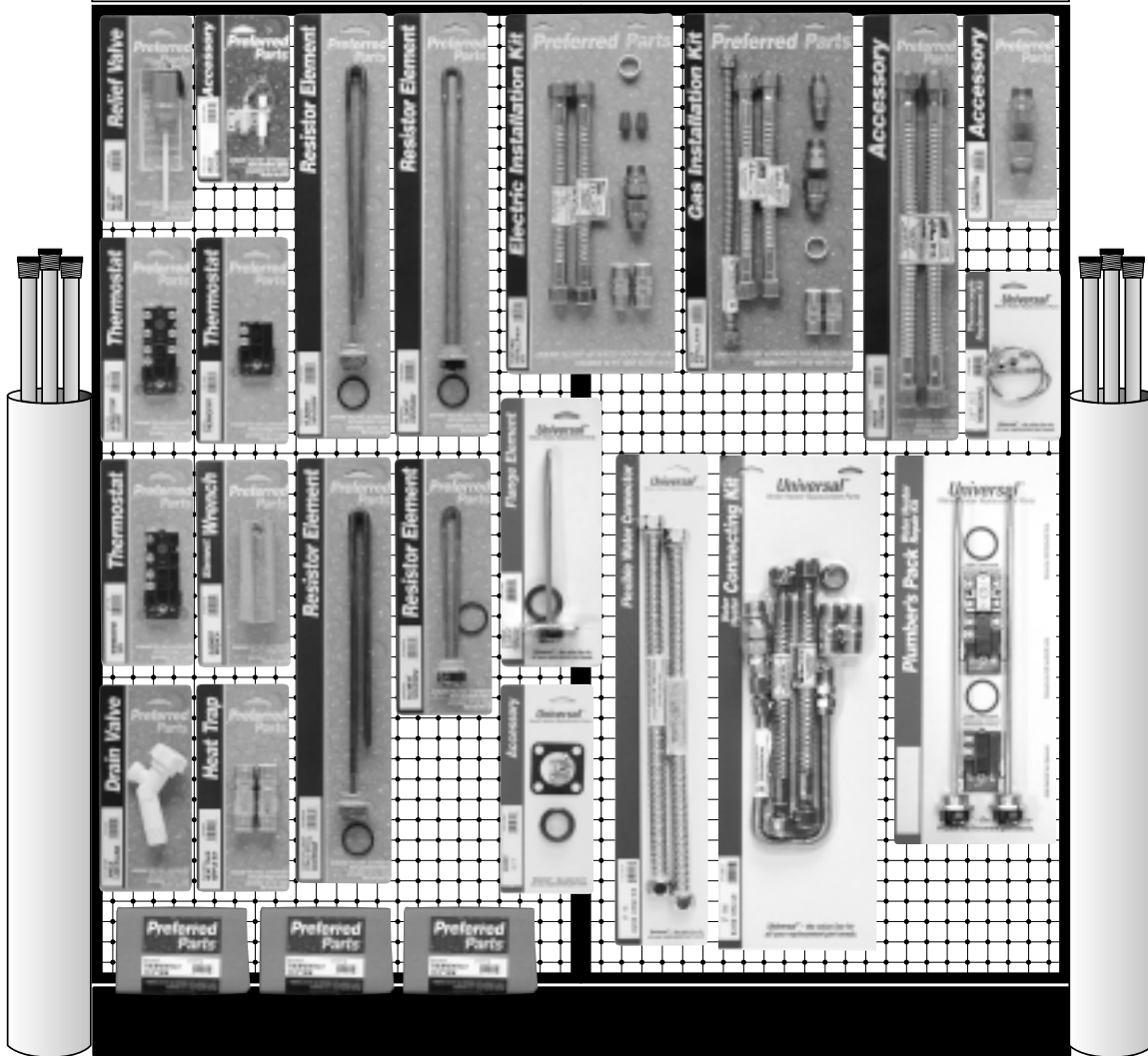
4' x 4' PLANOGRAM FOR GAS & ELECTRIC MARKET



parts central

Preferred Parts
The premium line of approved
replacement parts.

Universal Parts
The value line for all your
replacement parts needs.



PREFERRED PARTS / UNIVERSAL PARTS PLANOGRAMS

To place your order call 1-800-621-5622; fax 1-800-535-9538



Water Heating

**PARTS
WARRANTY CLAIM FORM**To be used when you are NOT required to return the defective component part(s) to Rheem**RHEEM WATER HEATING
WARRANTY PARTS DEPARTMENT**

2773 Gunter Park Drive West, Montgomery, AL 36109



Water Heating

Distributor Name _____ Date Sent to Rheem _____

Distributor Location (City and State) _____ Branch Number _____

Form Completed by (Employee's Name) _____ Business Telephone (____) _____

Additional Debit Memo/Claim Number/Other Reference _____

MAKE SURE THE INFORMATION PROVIDED IS COMPLETE, ACCURATE, AND LEGIBLE

PART	RHEEM AUTHORIZED PART NUMBER	WATER HEATER MODEL NUMBER	WATER HEATER SERIAL NUMBER	DATE OF INSTALL		DATE OF FAILURE		DESCRIPTION OF DEFECT
				MO.	YR.	MO.	YR.	
1								
2								
3								
4								
5								
6								
7								
8								

BASIC INSTRUCTIONS FOR SUBMITTING A COMPONENT PART WARRANTY CLAIM – Use this form to submit warranty claims for defective in-warranty Rheem or Ruud residential water heater component parts **not** appearing on the Rheem Warranty Parts Return List on the date they failed. Hold all unreturned defective in-warranty residential water heater component parts at your place of business for thirty (30) days after you receive credit for them. Then destroy them and dispose of them. (Warranty claims for all defective in-warranty commercial water heater and residential water heater component parts appearing on Rheem's current Warranty Parts Return List – or including a request for warranty labor compensation – must be submitted on a Warranty Parts Return Form and returned to the Rheem Warranty Parts Dept.) Submit a Parts Warranty Claim Form at least once each calendar month in which you have a claim. Send this form (with all the required attachments) to the Rheem Warranty Parts Dept. at the address listed above. Refer to Rheem Water Heaters' Warranty Policies and Procedures Manual for complete instructions for the completion of this form.

TO RECEIVE PROMPT WARRANTY COMPENSATION, ATTACH AND/OR PROVIDE:

- 1) Your Debit Memo/Claim Number (in the upper right corner of this form).
- 2) The complete Rheem Authorized Part Number for each defective component part being claimed.
- 3) The complete model number and the complete serial number of the water heater from which each defective component part was removed.
- 4) The date (month and year) the water heater from which each defective component part was removed, was installed *or* the date of purchase of each defective component part (if it was purchased separately). If the date of installation of the water heater is more than ninety (90) days after the date of manufacture *or* the defective component part was purchased separately – provide documentary proof of this date.
- 5) The date (month and year) the defective component part failed.

RHEEM RESERVES THE RIGHT TO DENY ANY WARRANTY CLAIM RECEIVED MORE THAN NINETY (90) DAYS AFTER THE FAILURE DATE OR THAT DOES NOT FULFILL ALL THE REQUIREMENTS OF ITS WARRANTY POLICY AND PROCEDURES.

NOTE: If you believe any of the defective component parts listed may become part of a liability (insurance) claim, secure the defective component part at your place of business, and call the Rheem Technical Service Dept. at (800) 432-8373 to notify them as soon as possible.



Water Heating

PARTS
WARRANTY CLAIM FORMTo be used when you are NOT required to return the defective component part(s) to Rheem**RHEEM WATER HEATING**
WARRANTY PARTS DEPARTMENT
2773 Gunter Park Drive West, Montgomery, AL 36109

Water Heating

Distributor Name _____ Date Sent to Rheem _____

Distributor Location (City and State) _____ Branch Number _____

Form Completed by (Employee's Name) _____ Business Telephone (____) _____

Additional Debit Memo/Claim Number/Other Reference _____

MAKE SURE THE INFORMATION PROVIDED IS COMPLETE, ACCURATE, AND LEGIBLE

PART	RHEEM AUTHORIZED PART NUMBER	WATER HEATER MODEL NUMBER	WATER HEATER SERIAL NUMBER	DATE OF INSTALL		DATE OF FAILURE		DESCRIPTION OF DEFECT
				MO.	YR.	MO.	YR.	
1								
2								
3								
4								
5								
6								
7								
8								

BASIC INSTRUCTIONS FOR SUBMITTING A COMPONENT PART WARRANTY CLAIM – Use this form to submit warranty claims for defective in-warranty Rheem or Ruud residential water heater component parts **not** appearing on the Rheem Warranty Parts Return List on the date they failed. Hold all unreturned defective in-warranty residential water heater component parts at your place of business for thirty (30) days after you receive credit for them. Then destroy them and dispose of them. (Warranty claims for all defective in-warranty commercial water heater and residential water heater component parts appearing on Rheem's current Warranty Parts Return List – or including a request for warranty labor compensation – must be submitted on a Warranty Parts Return Form and returned to the Rheem Warranty Parts Dept.) Submit a Parts Warranty Claim Form at least once each calendar month in which you have a claim. Send this form (with all the required attachments) to the Rheem Warranty Parts Dept. at the address listed above. Refer to Rheem Water Heaters' Warranty Policies and Procedures Manual for complete instructions for the completion of this form.

TO RECEIVE PROMPT WARRANTY COMPENSATION, ATTACH AND/OR PROVIDE:

- 1) Your Debit Memo/Claim Number (in the upper right corner of this form).
- 2) The complete Rheem Authorized Part Number for each defective component part being claimed.
- 3) The complete model number and the complete serial number of the water heater from which each defective component part was removed.
- 4) The date (month and year) the water heater from which each defective component part was removed, was installed *or* the date of purchase of each defective component part (if it was purchased separately). If the date of installation of the water heater is more than ninety (90) days after the date of manufacture *or* the defective component part was purchased separately – provide documentary proof of this date.
- 5) The date (month and year) the defective component part failed.

RHEEM RESERVES THE RIGHT TO DENY ANY WARRANTY CLAIM RECEIVED MORE THAN NINETY (90) DAYS AFTER THE FAILURE DATE OR THAT DOES NOT FULFILL ALL THE REQUIREMENTS OF ITS WARRANTY POLICY AND PROCEDURES.

NOTE: If you believe any of the defective component parts listed may become part of a liability (insurance) claim, secure the defective component part at your place of business, and call the Rheem Technical Service Dept. at (800) 432-8373 to notify them as soon as possible.

Rheem National Customer Service

Division Office334-260-1500

Parts, Customer Service, Warranty1-800-621-5622

Fax.....1-800-535-9538

Email.....parts@rheem.com

Technical Service1-800-HEATER3
(1-800-432-8373)

Emailtechserv@rheem.com

Websitewww.rheem.com

*In keeping with its policy of continuous progress
and product improvement, Rheem reserves the
right to make changes without notice.*

**Rheem Water Heating
National Parts Service Center**
2773 Gunter Park Drive West
Montgomery, AL 36109



NATIONAL PARTS SERVICE CENTER