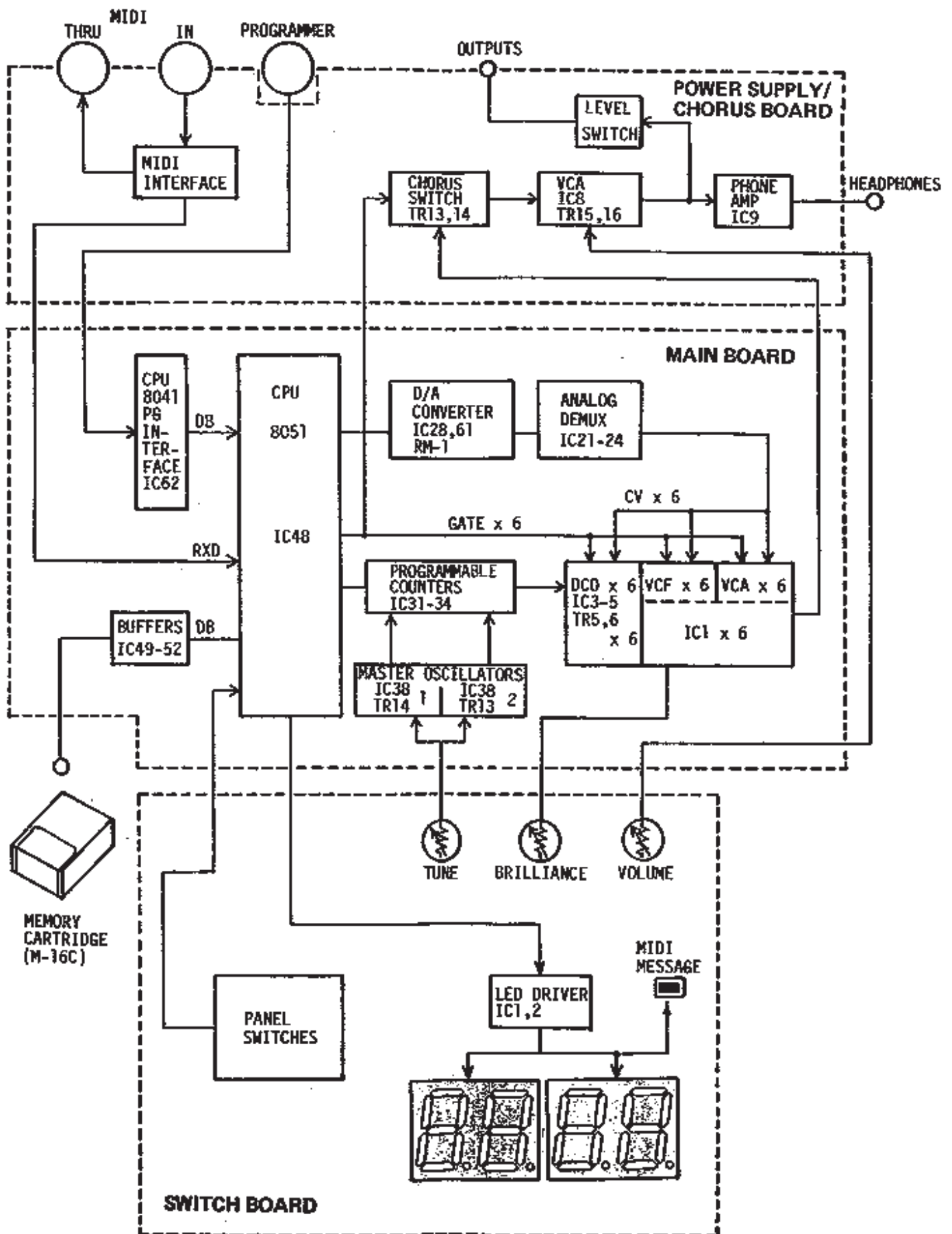
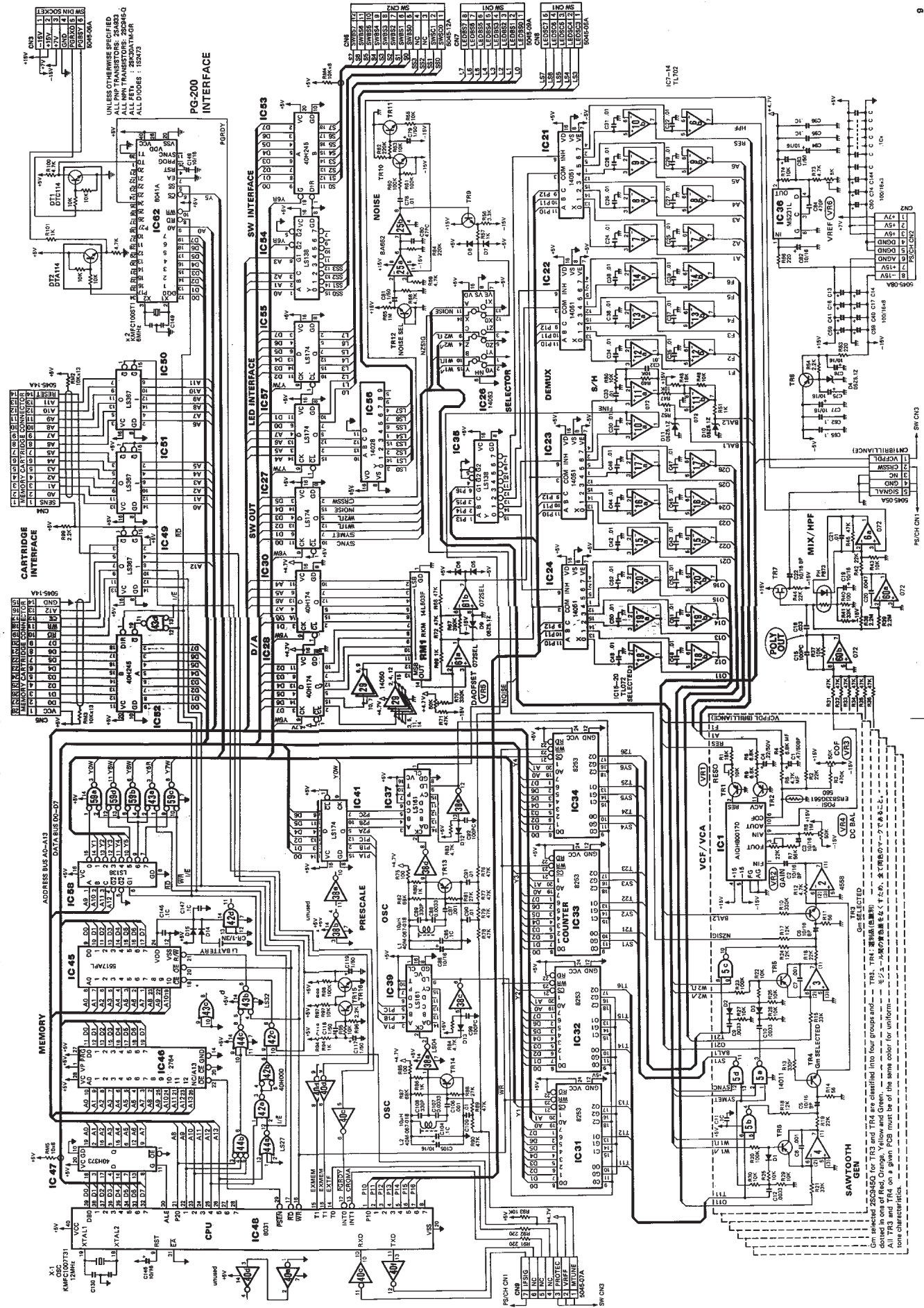


BLOCK DIAGRAM





UNLESS OTHERWISE SPECIFIED
ALL MNPN TRANSISTORS: 2SA482
ALL DIODES: 1N914
ALL CAPS: 10% TOL

ICs selected 25C8400 for TR3 and TR4 are identified into four groups—A, B, C, and D. All TR3 and TR4 on a given PCB must be of the same color for uniform tone characteristic.

PCB CH1

PCB CH2

PCB CH3

PCB CH4

PCB CH5

PCB CH6

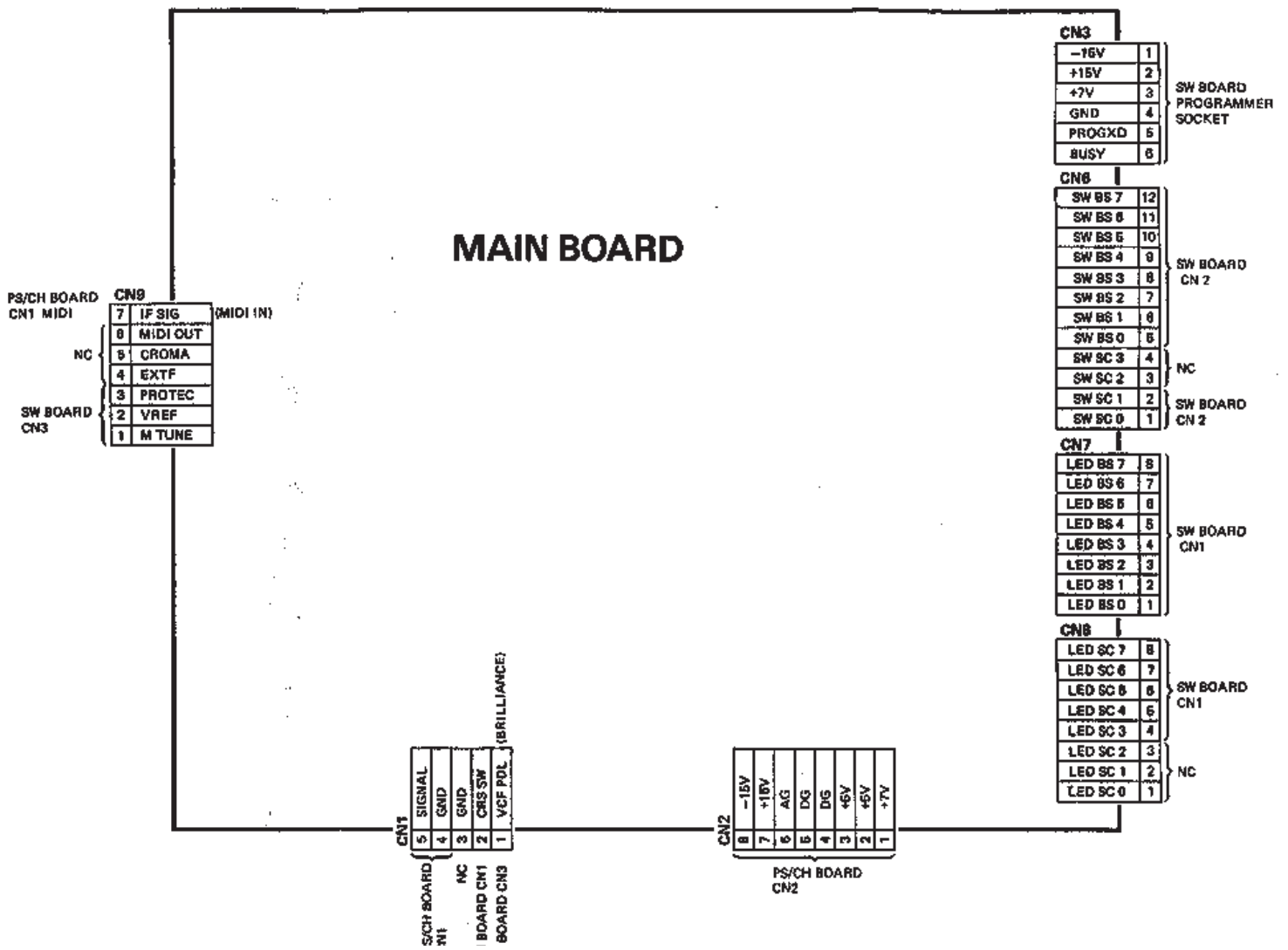
PCB CH7

PCB CH8

PCB CH9

PCB CH10

INTERCONNECTION



MIDI

