



SE Series

Cast Aluminum LED Exit Sign

Catalog Number	
Comments	Type

FEATURES

Application

The SE Series offers bright and even LED illumination in an attractive die-cast aluminum housing. Features include UL listing for 2 hour runtime, AC or Emergency operation with optional Spectron® self-test/self-diagnostic circuitry. Special Wording (SW) option also allows for customization of the stencil field to convey important information. Housing designed for quick and easy installation with low energy consumption. Damp location listed. Includes a Vandal/Tamper Resistant (VTR) option. The -VTR option includes a polycarbonate faceshield and tamper resistant screws.

Construction

Housing, exit face and matching canopy constructed of high-strength die-cast aluminum. Sign finish is textured white, white with brushed aluminum face, black, or black with brushed aluminum face. Diffuser finish is color-matched silk-screened coating which provides optimized LED light output. Exit face design in single or double face with red or green letters and break-out chevrons. Exit stencil with 6" letters and 3/4" stroke.

Installation

Universal mounting (wall, ceiling, end) to standard 3 1/2" or 4" octagon or square electrical box by use of easily removed, template configured knockouts. Cast aluminum canopy and universal mounting plate included. All mounting hardware is fully concealed.

Illumination

Exit face illumination is provided by energy savings, long life red or green LEDs. Exceeds UL 924 requirements for brightness and uniformity.

Compliances

UL 924 Listed (Meets 1998 brightness and uniformity requirements)
 UL Damp Location Listed
 NFPA 70
 NFPA 101

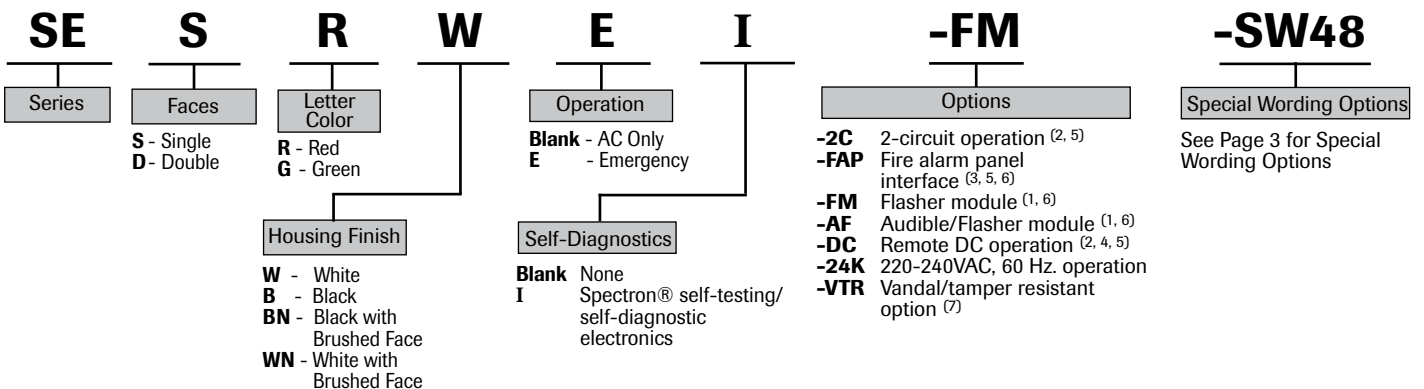
Warranty

Unit and electronics: 5 years full.

SEMPRA® DIE-CAST LED Exit



ORDERING GUIDE



ACCESSORIES (order separately)

- SER-E** Kit converts AC red letter models to emergency operation
- SEG-E** Kit converts AC green letter models to emergency operation
- PMCW** 12 1/2" Pendant mounting kit (white)
- PMCB** 12 1/2" Pendant mounting kit (black)
- WGLX** Wire guard (Wall mount)
- WGLXC** Wire guard (Ceiling mount)
- WGLXE** Wire guard (End mount)
- VRS3** Vandal resistant shield

NOTES

- (1) For use with emergency models only.
- (2) For use with AC models only.
- (3) Operates with 24-volt AC or DC fire alarm panels.
- (4) For emergency illumination of sign from remote 6-24 VDC power sources.
- (5) -DC option may not be specified with -2C or -FAP options.
- (6) -AF, -FM and -FAP options may not be specified together.
- (7) Provides polycarbonate face shield and tamper-proof screws.



Hubbell Lighting, Inc.



SE Series

Cast Aluminum LED Exit Sign

SPECIFICATIONS

Electronics

Available with AC, emergency and Spectron® self-test/self-diagnostic electronics option. Emergency and self-diagnostic models equipped with isolation transformer and fully automatic constant current solid state charger with sealed maintenance-free nickel-cadmium battery. All emergency models with 2-hour minimum run-time. All components mounted inside housing. Includes test switch and AC-on indicator. Transient/surge protection, low voltage disconnect and AC lock-out features included. Battery re-charge within UL time standards. Includes pre-stripped AC input pigtail leads.

Power Consumption

	120VAC	277VAC
Red AC Only Models:	2.64 watts	2.70 watts
Green AC Only Models:	2.24 watts	2.24 watts
Red Emergency Models:	3.81 watts	3.80 watts
Green Emergency Models:	3.50 watts	3.50 watts

* Wattage figures include LED lamps, transformer and electronics power requirements. LED lamp assemblies (red or green) consume less than 1 watt.

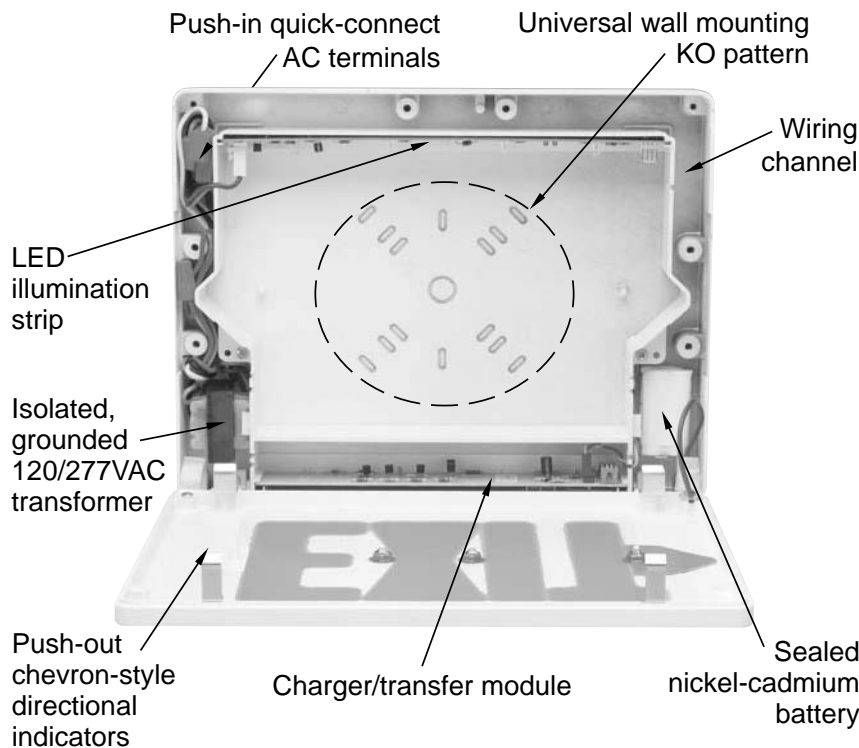
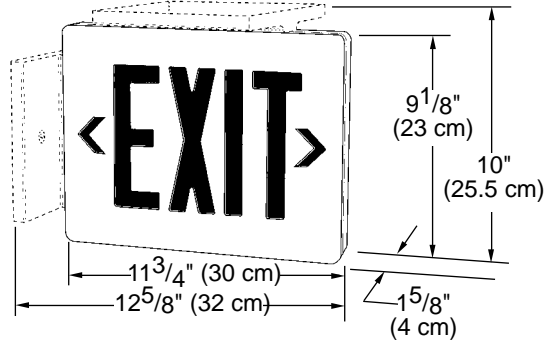
Power Factor, Average: .8 (lagging)

Battery Type: Maintenance-free sealed nickel cadmium battery

AC Input: 120/277VAC, 60 Hz. (all models)

Operating Temperature Range: 0°C to 40°C (32°F to 104°F)

DIMENSIONS





SE Series

Cast Aluminum LED Exit Sign

STANDARD SIGNS

Dual-Lite's cast-aluminum SE Series exit signs feature an option for custom or standard special-wording. The images below represent a sample of standard special-worded signs available. A comprehensive list of all standard special-wording signs is shown on the next page. Because the artwork and silk-screening for these signs were previously developed, pricing for these standard special-worded signs do not incur a setup charge. If your special-worded requirements do not show up on this list, please contact the factory to request your custom special-worded sign. Custom special-worded signs will incur a one time setup charge for each development.



SW65 (Makhraj Arabic)



SW10



SW13



SW40



SW47



SW5



SW101



SW7



SW97



SW22



SW31



SW45



SW37



SW98



SW9



SW30



SW69



SW48



SW73



SW4





SE Series

Cast Aluminum LED Exit Sign

STANDARD SPECIAL WORDING SIGNS

Category	Special Wording Number	Description	Category	Special Wording Number	Description	Category	Special Wording Number	Description		
EXIT	SW 1	TO EXIT	EVACUATION	SW 10	AREA OF REFUGE	LABORATORY (continued)	SW 62	RADIATION IN USE		
	SW 2	NOT AN EXIT		SW 11	AREA OF REFUGE WITH WHEELCHAIR SYMBOL		SW 71	X-RAY		
	SW 22	EXIT WITH WHEELCHAIR SYMBOL		SW 12	AREA OF RESCUE ASSISTANCE		SW 72	X-RAY OFF		
	SW 37	NO EXIT		SW 13	AREA OF RESCUE ASSISTANCE WITH WHEELCHAIR SYMBOL		SW 83	MAGNET AT FIELD		
	SW 42	EMERGENCY EXIT ONLY		SW 14	ELEVATOR		SW 87	BEAM IN USE		
	SW 63	WHEELCHAIR SYMBOL/EXIT		SW 24	CAUTION STAIRS		SW 89	CRYOSTAT MAGNET IN USE		
	SW 67	EMERGENCY EXIT		SW 25	NOT AN AREA OF REFUGE		SW 105	CT SCAN/IN USE		
	SW 70	FIRE EXIT ONLY		SW 40	AREA OF RESCUE		SW 107	DANGER (SEE TABLE-LASERS)		
	SW 73	TO FIRE ESCAPE		SW 48	STAIRS		SW 112	X-RAY IN USE/ DO NOT ENTER		
AREAS/ALERTS	SW 5	DARKROOM IN USE		SW 79	TO AREA OF RESCUE ASSISTANCE		SW 113	MAGNET/RAMPED		
	SW 9	ON AIR		SW 97	EMERGENCY ASSISTANCE		SW 116	SCANNER IN USE		
	SW 27	QUIET		SW 117	TO AREA OF REFUGE		SW 120	UV/RADIATION		
	SW 29	PERFORMANCE IN PROGRESS		SW 122	AREA OF REFUGE ASSISTANCE		SW 125	NO ENTRY FUEL CELL WORK IN PROGRESS		
	SW 44	IMAGE ACQUISITION		SW 123	UP		SW 127	RADIATION		
	SW 52	STUDIO IN USE		SW 124	DOWN		ON/OFF	SW 50	GENERATOR ON	
	SW 55	BATTERY CHARGING IN PROCESS		SW 132	RED CROSS (SYMBOL ONLY)			SW 75	FAN OFF	
	SW 61	UNCLEARED VISITORS		DANGER/ALERTS	SW 6			CAUTION	SW 82	EMERGENCY POWER ON
	SW 68	STAND BY ON AIR			SW 47			DANGER	SW 84	CITY WATER BACKUP ON
	SW 80	TV STUDIO IN USE			LABORATORY			SW 4	X-RAY IN USE	SW 106
	SW 85	JURY IN SESSION	SW 20			WARNING LASER ON	SW 108	READY		
	SW 88	DARKROOM IN USE/DO NOT ENTER	SW 21			BEAM ON	PEDESTRIANS/ CROSSING	SW 35	PEDESTRIAN ONLY	
	SW 100	CLASSIFIED/BRIEFING	SW 23			CAT SCAN IN USE		SW 78	CAUTION WATCH FOR PEDESTRIANS	
	SW 102	UNCLEAR/VISITOR IN AREA	SW 26			MRI ROOM IN USE		RESTROOMS/ FACILITIES	SW 98	NO SMOKING
	SW 111	MEETING IN PROGRESS	SW 28			MRI IN USE			SW 15	RESTROOMS
	SW 115	RECORDING	SW 31			LASER IN USE	SW 16		MEN	
	SW 121	QUIET PLEASE/SLEEP STUDY IN PROGRESS	SW 33			LASER ON DO NOT ENTER	SW 17		MEN WITH SYMBOL	
	SW 128	INTERVIEW IN PROGRESS	SW 34	MAGNET ON		SW 18	WOMEN			
	SW 129	SIMULATOR/IN USE	SW 36	UV LIGHTING IN USE		SW 19	WOMEN WITH SYMBOL			
	SW 131	RANGE/IN USE	SW 38	CLOSE HOODS		SW 54	PHONE			
DO NOT ENTER	SW 3	IN USE	SW 39	RADIATION ON		SW 91	DECORATIVE CROSS SYMBOL			
	SW 7	DO NOT ENTER	SW 43	DANGER BIO HAZARD IN USE		SW 92	NON SMOKING			
	SW 8	TEST IN PROGRESS	SW 45	MAGNET IN USE		INTERNATIONAL EXIT	SW 118		HANDICAPPED (SYMBOL ONLY)	
	SW 30	ROOM IN USE	SW 46	LASER LAB IN USE			SW 32		EXIT/SALIDA	
	SW 74	IN USE/DO NOT ENTER	SW 49	X-RAY ON			SW 41	ARABIC/EXIT		
	SW 86	DO NOT USE	SW 51	CAUTION X-RAY			SW 64	ARABIC/EXIT		
	SW 90	ROOM IN USE/ DO NOT ENTER	SW 53	BEAM ON DO NOT ENTER			SW 65	MAKHRAJ ARABIC/ EXIT		
	SW 95	DO NOT ENTER/ TESTING IN PROGRESS	SW 56	FIRE		SW 66	ARABIC/EXIT			
	SW 101	DO NOT DISTURB	SW 57	CT IN USE	SW 69	SALIDA				
	SW 104	DO NOT ENTER/ TRAINING IN PROGRESS	SW 58	OPEN LASER						
	SW 110	SECURE								

Dual-Lite • www.dual-lite.com

A Hubbell Lighting, Inc. brand with representatives' offices in principal cities throughout North America.
 Copyright© Hubbell Lighting, Inc., All Rights Reserved • Specifications subject to change without notice. • Printed in U.S.A.



Hubbell Lighting, Inc.
 0601835 C 12/09