

Self-Enclosed Shark[®] Meter Assemblies

For Multi-function Shark[®] 50, 50B, 100, 100B, or 200 Meters



NEMA 4X
Outdoor-Rated

NEMA 1
Indoor-Rated

- For Retrofit Meter Solutions
- Extends Switchgear Capability
- Pre-Wired and Configured
- Eliminates Wiring and Installation Errors

www.electroind.com



Electro Industries/GaugeTech
The Leader in Power Monitoring and Smart Grid Solutions



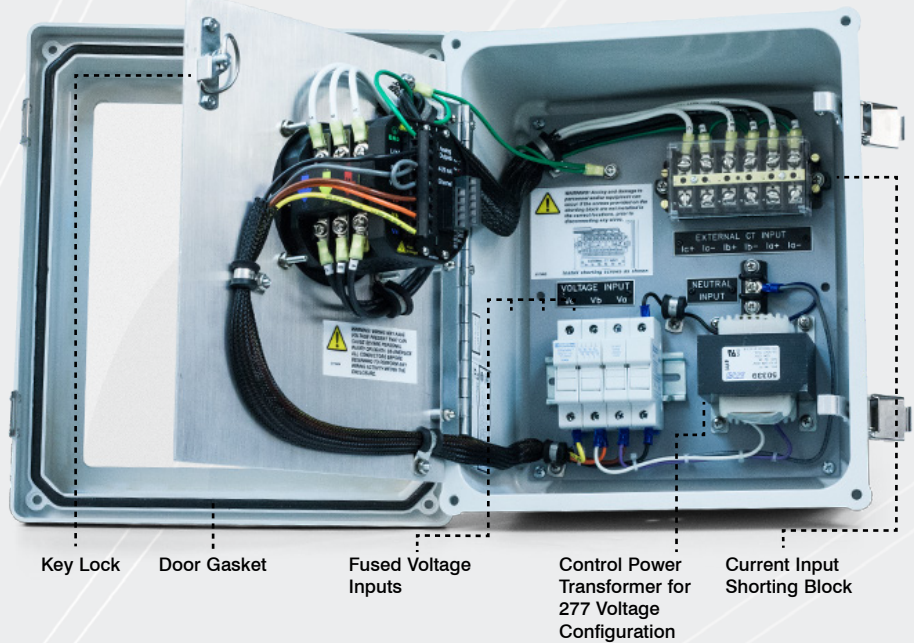
Description

EIG's Shark® meter in enclosure lets you expand your switchgear capability without expensive and time-consuming redesign. Simply mount and wire the enclosure next to your switchgear and you are ready to go, with no downtime at all!

This is a perfect solution for a retrofit when there is no metering compartment available. The meter comes standard with a NEMA 1 indoor enclosure or a NEMA 4X outdoor enclosure, and is factory wired with the meter installed. Standard equipment includes voltage fuses, a shorting block for current transformers, and a control power transformer if used with 277/480 Volt power systems.

The enclosure can be ordered with either the Shark® 50 multi-function meter, the Shark® 50B meter with native BACnet MS/TP, the Shark® 100 multi-function meter, the Shark® 100B meter with native BACnet/IP, or the

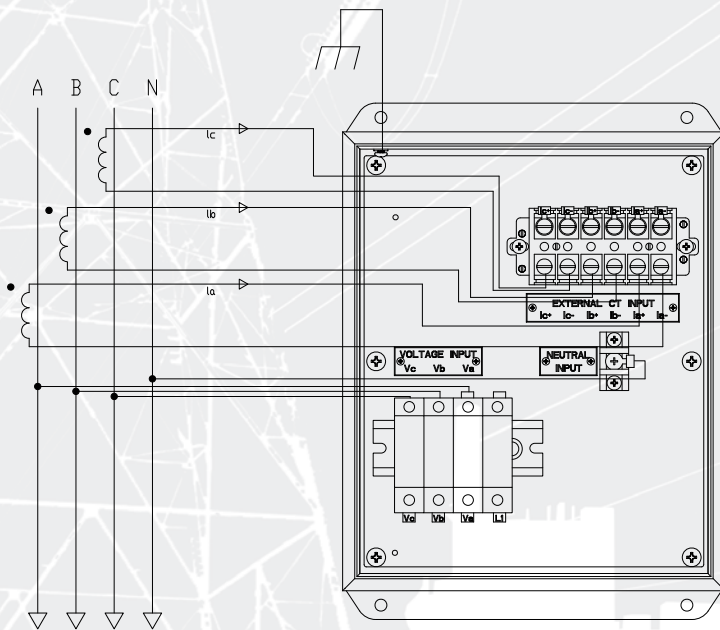
NEMA 4X Enclosure



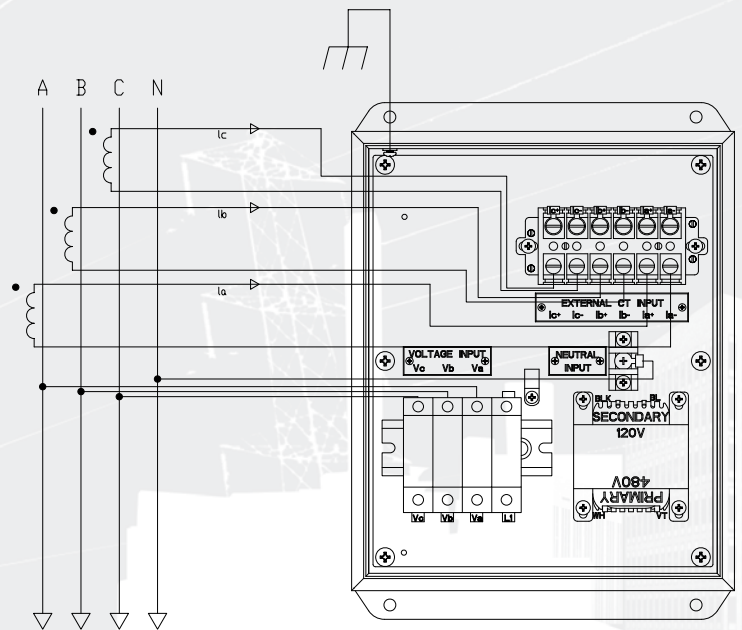
Shark® 200 advanced meter with datalogging and extensive I/O. It is offered in two voltage configurations:

- 277 Volt enclosure (comes equipped with a control power transformer)
- 120-240 Volt enclosure

WIRING DIAGRAMS

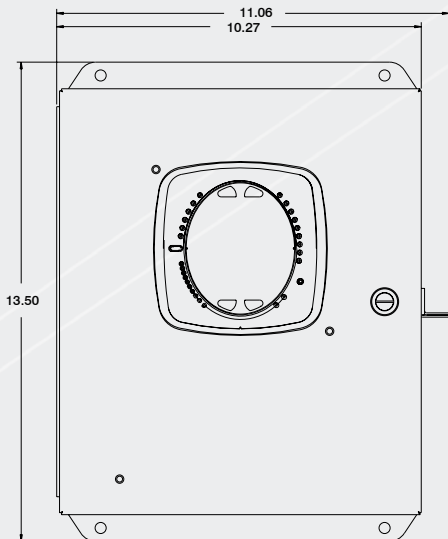


Wye Wiring for 120V Model

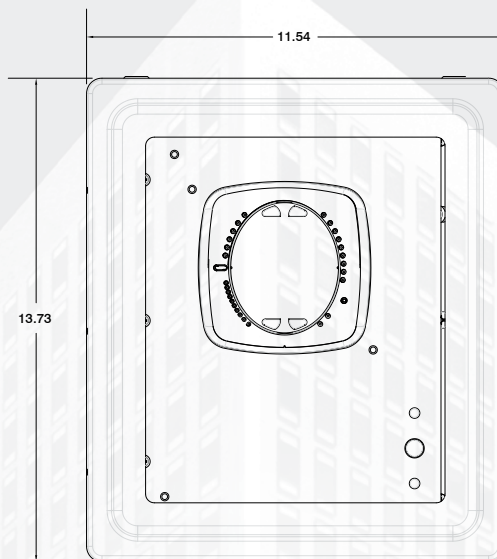


Wye Wiring for 277V Model

DIMENSIONAL DRAWINGS



**NEMA 1 Enclosure
Front Dimensions**



**NEMA 4X Enclosure
Front Dimensions**

ORDERING INFORMATION

Shark® 50 in Self-Enclosed Meter Assembly

All fields must be filled in to create a valid part number.

| Model | Voltage | V-Switch™ Pack | Communication |
|---|----------------------------|---|--|
| Option Numbers: | - | - | - |
| Example: | ENC5HK50 - 277 | - V2 | - 485P |
| ENC5HK50 Shark® 50 in NEMA1 Enclosure | 120 - 120-240 Volts | V1 Multifunction Meter Only | X None |
| ENC4X5HK50 Shark® 50 in NEMA 4X Enclosure | 277 - 277 Volts | V2 V1 plus Power and Frequency | 485P RS485 and KYZ Pulse Output |
| | | V3 V2 plus Energy Counters | |

Shark® 50B in Self-Enclosed Meter Assembly

All fields must be filled in to create a valid part number.

| Model | Voltage |
|---|----------------------------|
| Option Numbers: | - |
| Example: | ENC5HK50B - 277 |
| ENC5HK50B Shark® 50B in NEMA1 Enclosure | 120 - 120-240 Volts |
| ENC4X5HK50B Shark® 50B in NEMA 4X Enclosure | 277 - 277 Volts |

Shark® 100 in Self-Enclosed Meter Assembly

All fields must be filled in to create a valid part number.

| Model | Voltage | Frequency | Current Input | V-Switch™ Pack | Power Supply | Communication |
|---|----------------------------|------------------------------|---------------------------------|--|---|---|
| Option Numbers: | - | - | - | - | - | - |
| Example: | ENC5HK100 - 277 | - 60 | - 10 | - V2 | - D2 | - 485P |
| ENC5HK100 Shark® 100 in NEMA1 Enclosure | 120 - 120-240 Volts | 50 50 Hz System | 10 5 Amp Secondary | V1 Multifunction Meter Only | D2 Option Universal, (90 to 265) VAC @50/60Hz or (100 to 370) VDC | X None |
| ENC4X5HK100 Shark® 100 in NEMA 4X Enclosure | 277 - 277 Volts | 60 60 Hz System | 2 1 Amp Secondary | V2 V1 plus Power and Frequency | | 485P RS485 and KYZ Pulse Output |
| | | | | V3 V2 plus DNP 3.0 and Energy Counters | | INP10 100BaseT Ethernet and KYZ Pulse Output |
| | | | | V4 V3 plus Limits and Harmonics | | |

Shark® 100B in Self-Enclosed Meter Assembly

All fields must be filled in to create a valid part number.

| Model | Voltage | Frequency | Current Input | Power Supply |
|---|--------------------------------|------------------------------|---------------------------------|---|
| Option Numbers: | - | - | - | - |
| Example: | ENC5HK100B | - 277 | - 60 | - 10 - D2 |
| ENC5HK100B Shark® 100B in NEMA1 Enclosure | 120 - 120- 240 Volts | 50 50 Hz System | 10 5 Amp Secondary | D2 Option Universal, (90 to 265) VAC @50/60Hz or (100 to 370) VDC |
| ENC4XSHK100B Shark® 100B in NEMA 4X Enclosure | 277 - 277 Volts | 60 60 Hz System | 2 1 Amp Secondary | |

Shark® 200 in Self-Enclosed Meter Assembly

All fields must be filled in to create a valid part number.

| Model | Voltage | Frequency | Current Input | V-Switch™ Pack | Power Supply | I/O Slot 1 | I/O Slot 2 |
|---|--------------------------------|------------------------------|---------------------------------|--|---|---|---|
| Option Numbers: | - | - | - | - | - | - | - |
| Example: | ENC5HK200 | - 277 | - 60 | - 10 | - V2 | - D2 | - x - x |
| ENC5HK200 Shark® 200 in NEMA1 Enclosure | 120 - 120- 240 Volts | 50 50 Hz System | 10 5 Amp Secondary | V1 Multifunction Meter Only | D2 Option Universal, (90 to 265) VAC @50/60Hz or (100 to 370) VDC | X None | X None |
| ENC4XSHK200 Shark® 200 in NEMA 4X Enclosure | 277 - 277 Volts | 60 60 Hz System | 2 1 Amp Secondary | V2 V1 plus 2 MB Data-Logging Memory V3 V2 plus %THD V4 V3 plus Limits and Control Functions V5 V4 plus 3 MB Data-Logging Memory and 64 Samples/Cycle Waveform Recorder V6 V4 plus 4 MB Data-Logging Memory and 512 Samples/Cycle Waveform Recorder | | INP100S 10/100BaseT Ethernet RO1S 2 Relay Outputs/ 2 Status Inputs PO1S 4 Pulse Outputs/ 4 Status Inputs 1mAOS 4 Channel Analog Output 0-1 (Bidirectional) 20mAOS 4 Channel Analog Output 4-20mA FOVPS Fiber Optic Output ST Terminated FOVPS Fiber Optic Output Versatile Link Terminated INP300S IEC 61850 Protocol Ethernet | INP100S 10/100BaseT Ethernet RO1S 2 Relay Outputs/ 2 Status Inputs PO1S 4 Pulse Outputs/ 4 Status Inputs 1mAOS 4 Channel Analog Output 0-1 (Bidirectional) 20mAOS 4 Channel Analog Output 4-20mA FOVPS Fiber Optic Output ST Terminated FOVPS Fiber Optic Output Versatile Link Terminated INP300S IEC 61850 Protocol Ethernet |



Electro Industries/GaugeTech
1800 Shames Drive • Westbury, NY 11590
1-877-EIMETER (1-877-346-3837) • **E-Mail:** sales@electroind.com
Tel: 516-334-0870 • **Web Site:** www.electroind.com • **Fax:** 516-338-4741

<https://electroind.com/product-info/self-enclosed-shark-meter-assembly/>

