



# Site Lighter Pro

**SLP16145LED** 145 Watt LED Site Lighter Pro



### Project Information

Job Name

Fixture Type 145 Watt LED Site Lighter Pro

Catalog Number SLP16145LED

Approved by

### SPECIFICATIONS:

	Type III	Type IV	Type V	Combo
<b>Lumens:</b>	15,400	14,290	14,560	14,470
<b>Watts:</b>	149.1	149.1	148.8	148.8
<b>Lumens/Watt:</b>	103.3	95.8	97.8	97.2
<b>CRI:</b>	70.9	71.0	70.9	71
<b>CCT:</b>	4518	4533	4518	4537

**Alpha Series LED**  
PROFESSIONAL GRADE

Design is Protected  
by US Patent D754,385

### Construction:

Designed for commercial and industrial applications, providing cooler operating temperatures, brighter light and longer LED life. The housing is made of 100% aluminum and utilizes external airflow fins to allow for greater heat dissipation. The easy access driver compartment is a thermally independent compartment, separate from LED generated heat, for cooler operation and longer driver life.

### Optics:

Atlas Site Lighter Pro fixtures utilize precision engineered individual lenses for maximum light intensity. These lenses are made of optical grade polycarbonate. Types III, IV, V and SLX Combo distributions are available. Types III, IV and SLX Combo optics are rotatable allowing for optimal placement of the fixtures on the perimeter of any layout.

### Mounting:

The easy mount bracket makes installation to any style pole quick and easy. Tenon and other mounting accessories also available.

### Thermal Management:

Atlas Site Lighter Pro fixtures are designed as a complete system to optimize LED life and light output. The thermal stacking heat removal technology extracts heat from within the housing moving it away from LEDs and components. The lower temperatures result in long LED life (200,000+ hrs) and component life and also allows for higher light output.

### Listings:

Luminaire is certified to UL Standards for Wet Locations  
Lighting Facts Certified  
DesignLights Consortium qualified luminaire, eligible for rebates from DLC member utilities.

### AC Input:

120/208/240/277 V

### Driver:

Constant current, Class 2, 120-277 VAC, 50-60 Hz  
High Efficiency – min. 88%  
Off-State Power: 0 Watts  
Dimming 0-10V

### LEDs:

4500K CCT  
Epoxy Guard™ protective conformal coated boards

### Reduced Glare:

Positioning of the LED modules within the housing result in light directed to desired locations and reduces offensive light.

### Testing:

Atlas LED luminaires have been tested by an independent laboratory in accordance with IESNA LM-79 & LM-80, and have received the Department of Energy "Lighting Facts" label.

### Warranty:

Five-year limited warranty

### 480 Volt:

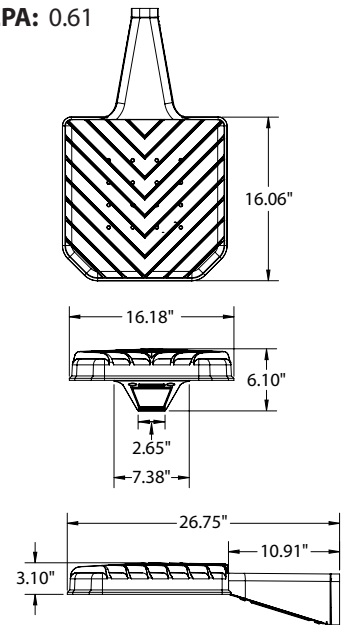
For 480V add suffix 4 to part number.



### DIMENSIONS:

Weight: 20 lbs.

EPA: 0.61



<sup>1</sup>LED Life Span Based Upon LM-80 Test Results

**Rebates and Incentives are available in many areas.  
Contact an Atlas Representative for more information.**

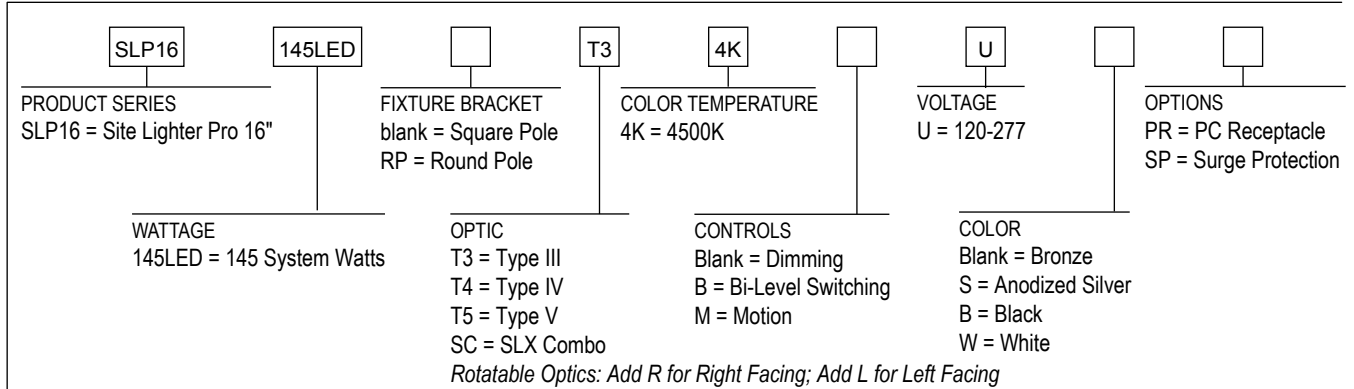
## ATLAS LIGHTING PRODUCTS, INC.

PO BOX 2348 | BURLINGTON, NC 27216

800-849-8485 | FAX: 336-227-0110 | www.atlasled.com

Made in the USA of US and imported parts. Meets Buy American requirements within the ARRA.

### ORDERING INFORMATION



**lighting facts**  
A Program of the U.S. DOE

Light Output (Lumens)	15400
Watts	149.1
Lumens per Watt (Efficacy)	103.3

---

Color Accuracy Color Rendering Index (CRI)	70
---	----

---

Light Color Correlated Color Temperature (CCT)	4518 (Daylight)
---	-----------------

Warm White | Bright White | Daylight

2700K | 3000K | 4500K | 6500K

All results are according to IESNA LM-79-2008: Approved Method for the Electrical and Photometric Testing of Solid-State Lighting. The U.S. Department of Energy (DOE) verifies product test data and results.

Visit [www.lightingfacts.com](http://www.lightingfacts.com) for the Label Reference Guide.

Registration Number: PRB4-D5ABL2 (10/1/2015)  
Model Number: SLP16145LEDT34KU [Upgrade: 10/1/2015]  
Type: Luminaire - Area/Roadway

**lighting facts**  
A Program of the U.S. DOE

Light Output (Lumens)	14290
Watts	149.1
Lumens per Watt (Efficacy)	95.8

---

Color Accuracy Color Rendering Index (CRI)	71
---	----

---

Light Color Correlated Color Temperature (CCT)	4533 (Daylight)
---	-----------------

Warm White | Bright White | Daylight

2700K | 3000K | 4500K | 6500K

All results are according to IESNA LM-79-2008: Approved Method for the Electrical and Photometric Testing of Solid-State Lighting. The U.S. Department of Energy (DOE) verifies product test data and results.

Visit [www.lightingfacts.com](http://www.lightingfacts.com) for the Label Reference Guide.

Registration Number: PRB4-D1ZALJ (10/1/2015)  
Model Number: SLP16145LEDT44KU [Upgrade: 10/1/2015]  
Type: Luminaire - Area/Roadway

**lighting facts**  
A Program of the U.S. DOE

Light Output (Lumens)	14560
Watts	148.8
Lumens per Watt (Efficacy)	97.8

---

Color Accuracy Color Rendering Index (CRI)	70
---	----

---

Light Color Correlated Color Temperature (CCT)	4518 (Daylight)
---	-----------------

Warm White | Bright White | Daylight

2700K | 3000K | 4500K | 6500K

All results are according to IESNA LM-79-2008: Approved Method for the Electrical and Photometric Testing of Solid-State Lighting. The U.S. Department of Energy (DOE) verifies product test data and results.

Visit [www.lightingfacts.com](http://www.lightingfacts.com) for the Label Reference Guide.

Registration Number: PRB4-5V46EH (10/1/2015)  
Model Number: SLP16145LEDT54KU [Upgrade: 10/1/2015]  
Type: Luminaire - Area/Roadway

**lighting facts**  
A Program of the U.S. DOE

Light Output (Lumens)	14470
Watts	148.8
Lumens per Watt (Efficacy)	97.2

---

Color Accuracy Color Rendering Index (CRI)	71
---	----

---

Light Color Correlated Color Temperature (CCT)	4537 (Daylight)
---	-----------------

Warm White | Bright White | Daylight

2700K | 3000K | 4500K | 6500K

All results are according to IESNA LM-79-2008: Approved Method for the Electrical and Photometric Testing of Solid-State Lighting. The U.S. Department of Energy (DOE) verifies product test data and results.

Visit [www.lightingfacts.com](http://www.lightingfacts.com) for the Label Reference Guide.

Registration Number: PRB4-CABVBM (12/18/2015)  
Model Number: SLP16145LEDSC4KU  
Type: Luminaire - Area/Roadway