



Conforms to EN60204-1, EN954-1, EN292,
EN50081, and EN50082
UL and C-UL listed, BG approved



SR06AM

Dual-Channel Universal Safety Monitoring Relay

- Power requirements—the SR06AM will accept 24 VAC/DC, 110 VAC, or 220 VAC
- Selectable Inputs—Dual or single N/C input channels are switch selectable
- Outputs—the SR06AM has 3 N/O outputs to route power to the coils of external device power contactors *plus* 1 N/C auxiliary output for signaling purposes
- External Device Monitoring (EDM) is provided with a N/C loop between X1 and X2 on the SR06AM
- Selectable reset modes—Manual or automatic reset mode is switch selectable on the SR06AM



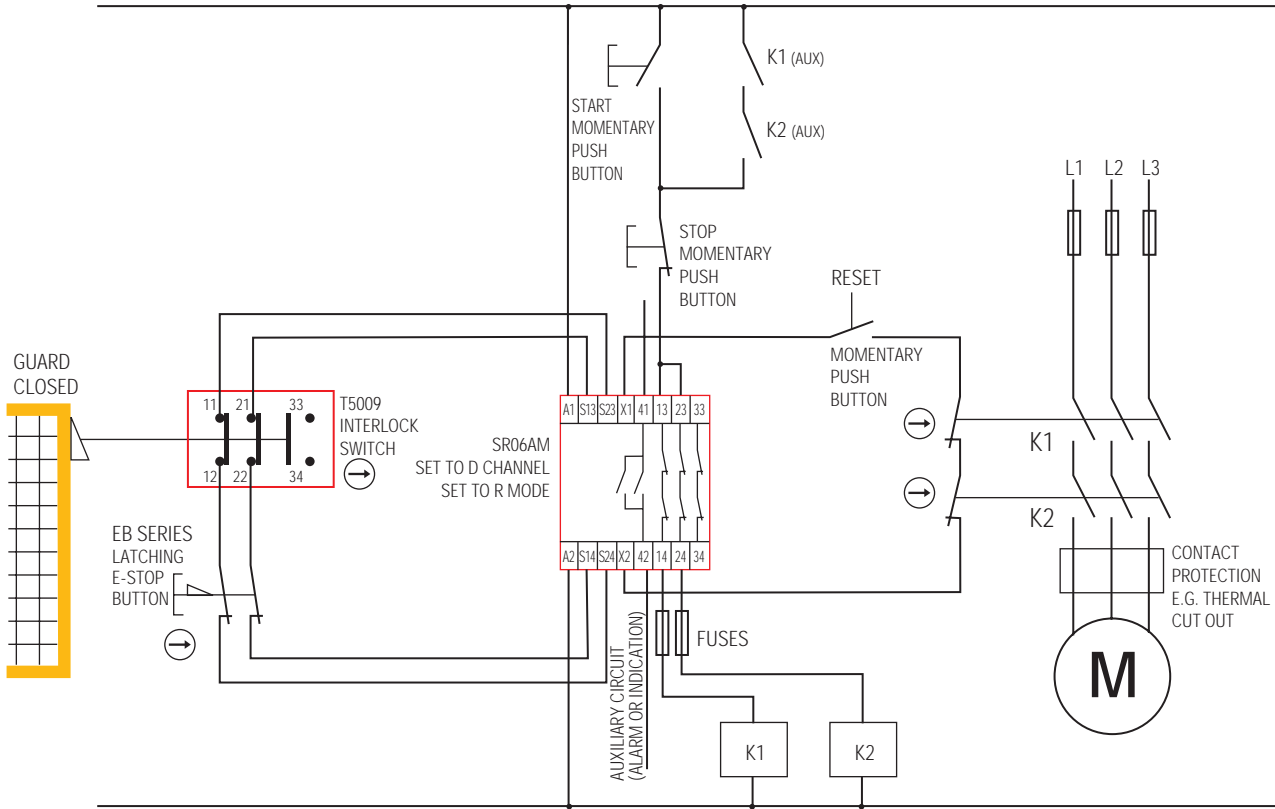
If you are considering this product for a new application please review the relay selection guide at www.sti.com/relays

Application

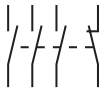
 For an explanation of circuit operation, see www.sti.com/pdf/2408.pdf

24VAC/DC, 110VAC, 230VAC

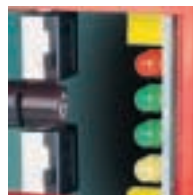
safety monitoring relays



Output Contact Arrangements



SR06AM Internal Switch

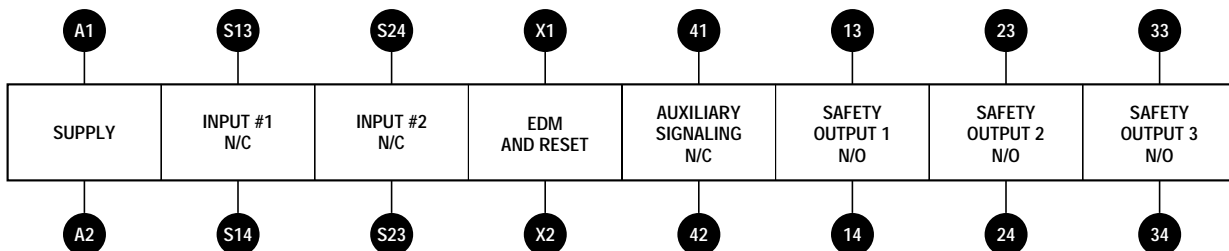


R & T internal selector switch

R = Monitored manual reset facility with system check for high integrity using a momentary push button. The push and release feature means the button cannot be held in.

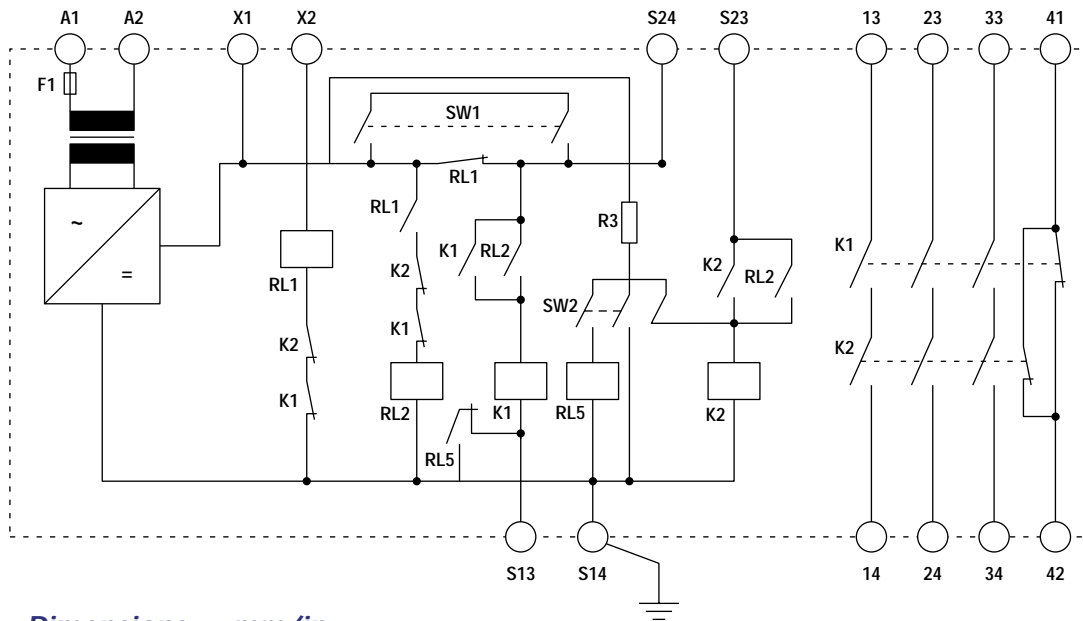
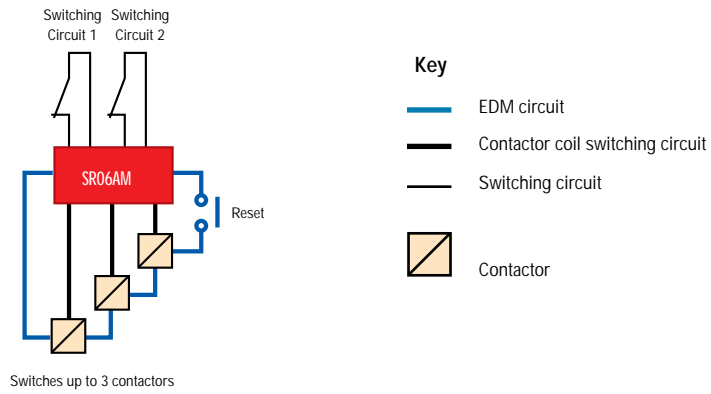
T = Automatic reset mode

Terminal Connections

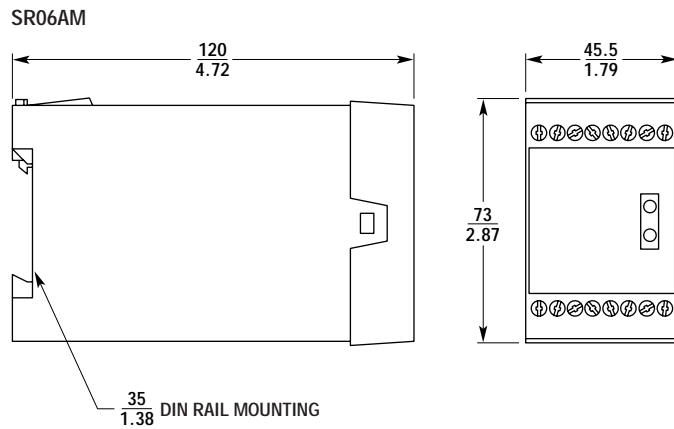


 **Go to the Engineering Guide**
For in-depth information on safety standards and use.

■ **Circuit Example**



■ **Dimensions — mm/in.**



H
safety monitoring relays

■ Specifications

Electrical	All Models	SR06AM24	SR06AM110	SR06AM220
Power Supply:		24 VAC/DC	110 VAC	220 VAC
Power Consumption:	<4 VA			
Internal Fuse:	500 mA slow-acting fuse			
Safety Inputs:	2 N/C dual or single channel selectable			
Relay Outputs:	3 N/O + 1 N/C auxiliary			
Max Switched AC:	4 A/250 VAC			
Max Switched DC:	2 A/30 VDC			
Min Switched Current/Voltage:	10 mA/10 V			
Impulse Withstand Voltage:	2500 V			
Max Drop-Out Time:	90 ms			
Max Output Fuse:	5 A quick-acting fuse			
Reset Mode:	Manual or automatic selectable (time to reset is 35-50 ms)			
External Device Monitoring (EDM):	N/C loop between X1 and X2			
Mechanical				
Mounting:	35 mm (1.38 in.) DIN rail			
Case Material:	Polycarbonate			
Max Wire Size:	1 x 2.5 mm (12 AWG) stranded; 1 x 4 mm (7 AWG) solid			
Weight:	510 g (18 oz.)			
Color:	Red			
Internal Switches:	Dual/single selector; manual/auto selector			
Indication:	LED 1 Red = Power On	LED 3 Green = K2 Closed		
	LED 2 Green = K1 Closed	LED 4 Yellow = Single-channel mode		
Mechanical Life:	1 x 10 ⁶ operations			
Environmental				
Enclosure Protection:	IP40 (NEMA 1)			
Operating Temperature:	-10 to 55°C (14 to 131°F)			
Humidity:	90% RH at 50°C (122°F)			

Specifications are subject to change without notice.

Note: The safety contacts of the STI switches are described as normally closed (N/C)—i.e., with the guard closed, actuator in place, and the machine able to be started.

■ Ordering

Model	Supply	Inputs	Outputs	Auxiliary	Part No.
SR06AM24	24 VAC/DC	2 N/C	3 N/O	1 N/C	44510-0330
SR06AM110	110 VAC	2 N/C	3 N/O	1 N/C	44510-0320
SR06AM220	220 VAC	2 N/C	3 N/O	1 N/C	44510-0310
Replacement Fuse	(500 mA)				44512-0340



Go to the Engineering Guide
For in-depth information on safety standards and use.



OMRON AUTOMATION AND SAFETY • THE AMERICAS HEADQUARTERS • Chicago, IL USA • 847.843.7900 • 800.556.6766 • www.omron247.com

OMRON CANADA, INC. • HEAD OFFICE

Toronto, ON, Canada • 416.286.6465 • 866.986.6766 • www.omron247.com

OMRON ELECTRONICS DE MEXICO • HEAD OFFICE

México DF • 52.55.59.01.43.00 • 01-800-226-6766 • mela@omron.com

OMRON ELECTRONICS DE MEXICO • SALES OFFICE

Apodaca, N.L. • 52.81.11.56.99.20 • 01-800-226-6766 • mela@omron.com

OMRON ELETRÔNICA DO BRASIL LTDA • HEAD OFFICE

São Paulo, SP, Brasil • 55.11.2101.6300 • www.omron.com.br

OMRON ARGENTINA • SALES OFFICE

Cono Sur • 54.11.4783.5300

OMRON CHILE • SALES OFFICE

Santiago • 56.9.9917.3920

OTHER OMRON LATIN AMERICA SALES

54.11.4783.5300

OMRON EUROPE B.V. • Wegalaan 67-69, NL-2132 JD, Hoofddorp, The Netherlands. • +31 (0) 23 568 13 00 • www.industrial.omron.eu

Authorized Distributor:

Automation Control Systems

- Machine Automation Controllers (MAC) • Programmable Controllers (PLC)
- Operator interfaces (HMI) • Distributed I/O • Software

Drives & Motion Controls

- Servo & AC Drives • Motion Controllers & Encoders

Temperature & Process Controllers

- Single and Multi-loop Controllers

Sensors & Vision

- Proximity Sensors • Photoelectric Sensors • Fiber-Optic Sensors
- Amplified Photomicrosensors • Measurement Sensors
- Ultrasonic Sensors • Vision Sensors

Industrial Components

- RFID/Code Readers • Relays • Pushbuttons & Indicators
- Limit and Basic Switches • Timers • Counters • Metering Devices
- Power Supplies

Safety

- Laser Scanners • Safety Mats • Edges and Bumpers • Programmable Safety Controllers • Light Curtains • Safety Relays • Safety Interlock Switches