

Ethos™ Design NI Widespread Lavatory Faucet

FEATURES

- Maximum flow rate of 2.2 gpm (8.3 lpm)
- Cross handles
- Solid brass construction
- Ceramic disk valve cartridge
- Accommodates 8" -16" spread
- Metal pop-up drain assembly included



COLORS/FINISHES

- #CP Polished Chrome

CODES/STANDARDS

- Meets or exceeds ASME A112.18.1/CSA B125.1, NSF 61-9
- Certifications: IAPMO(cUPC), State of Massachusetts and others
- Code Compliance: UPC, IPC, NSPC, NPC Canada, and others



PRODUCT SPECIFICATION

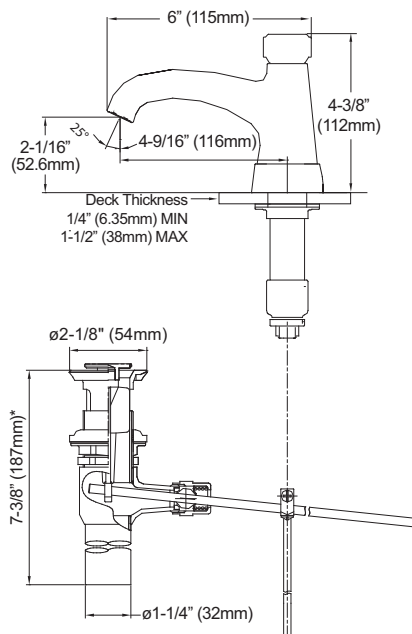
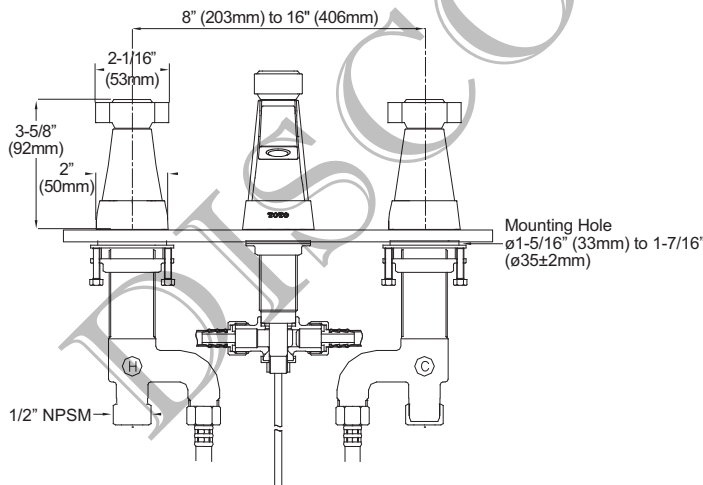
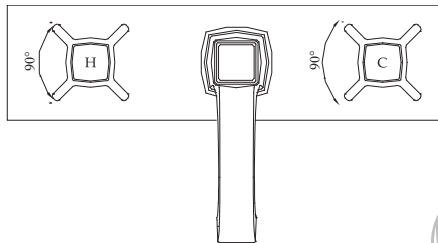
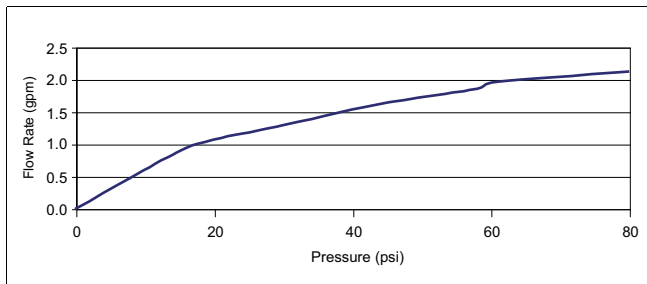
The widespread lavatory faucet shall have a maximum flow rate of 2.2 gpm (8.3 lpm). Product shall have cross handles. Product shall have a solid brass construction. Product shall have a ceramic disk valve cartridge. Product shall accommodate 8" -16" spread. Product shall include metal pop-up drain assembly. Product shall be TOTO Model TL670DD_____.

TL670DD

Ethos™ Design NI Widespread Lavatory Faucet

SPECIFICATIONS

- Warranty: Lifetime Limited Warranty (Residential Use)
One Year (Commercial Use)
- Material: Brass
- Shipping Weight: 12.8 lbs.
- Shipping Dimensions: 21-1/4" L x 10" W x 3-3/4" H
- Maximum Flow Rate: 2.2 gpm (8.3 lpm)



*indicates suggested dimension

TOTO

These dimensions and specifications are subject to change without notice