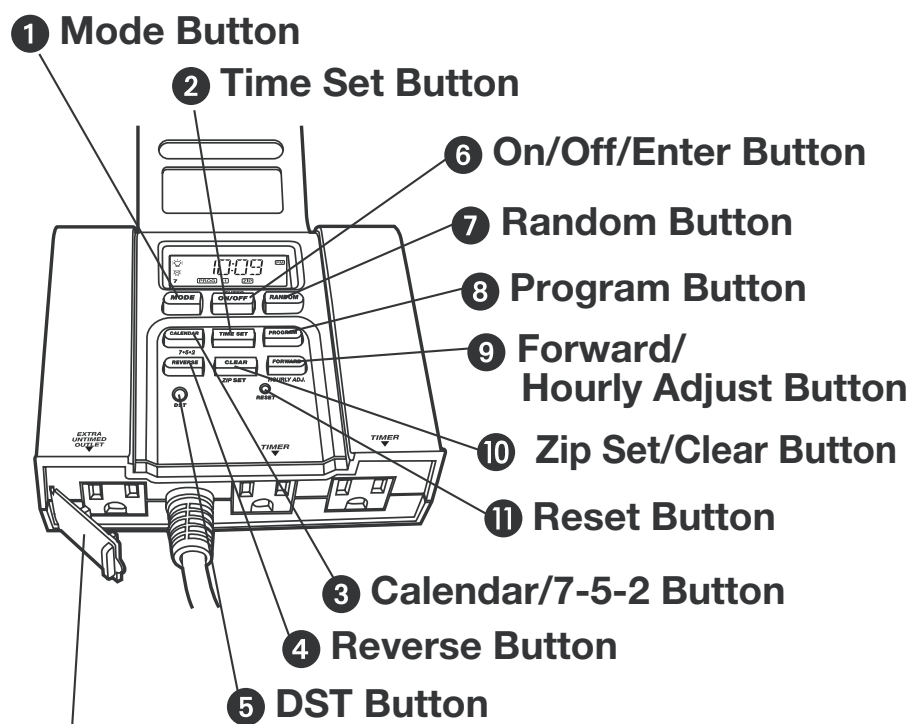


SYLVANIA

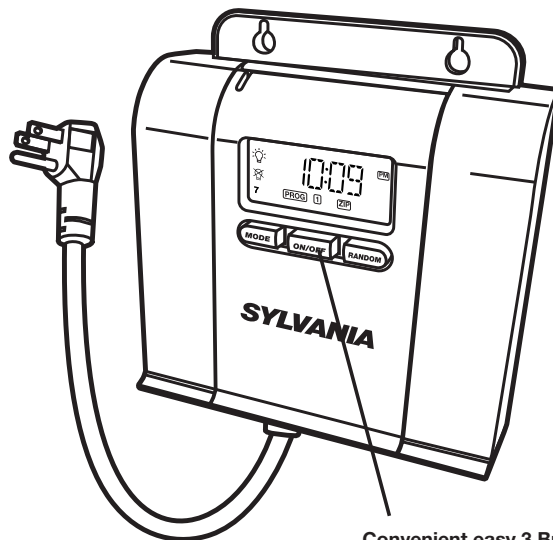
Model: SA 210

Digital Outdoor Timer with 3 Outlets

- Zip-Set Technology: Sunset Auto On



Untimed Outlet Cover



Convenient easy 3 Button Control for normal operation

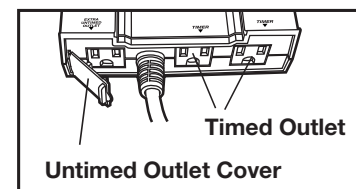
This product has passed ETL testing. It is certified and complies with both U.S. and Canadian product safety standards.



Function

Designed for outdoor use, the SA 210 can be mounted inside or outside on a wall. It controls outdoor holiday, landscape, pool, spa accessories, security lighting, etc.
 Function – The SA 210 has 3 outlets: 2 timed outlets which are powered and controlled by the SA 210 digital timer and 1 extra untimed outlet which always has power. We suggest that you always plug any outdoor timer to a GFCI outlet. Connect your outdoor lighting, etc. to either of the desired timed outlet.

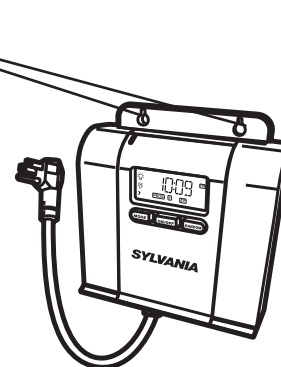
Please note: the total rating (untimed extra outlet + timer outlets) of all items connected to the timer must not exceed the SA 210 rating of 15 amps and that any timer settings applied are for all of the timed outlets; they cannot operate independently.



Mounting

Mount the timer on a wall in the desired location using the 2 mounting holes provided with screws.

The head of the screw (or fastener) should be slightly larger than the narrow portion of the slotted hole. The best mounting position for the timer is within 1 foot from your outlet.



Understanding the Zip-Set Mode

Zip-set Technology "Sunset Auto on timer" is easy to program. The clock is set at the factory to the (212) Eastern time zone so you just need to enter your area code before using, make sure the Zip-Set mode is activated, and you're finished. The timer will automatically adjust for your location to turn your outdoor holiday, landscape and security lighting on at sunset. Your SA 210 will automatically adjust to the changing sunset times as the year progresses.

Your program settings are protected by the integrated back-up battery; even with brown-outs or black-outs, the Zip-set will store, the time, date, and area code settings and turn your lights and appliances correctly on at sunset once the electric current resumes.

Zip-Set Quick Set-up

Zip-Set is the easiest way to set a light or an appliance to automatically turn on at sunset. Zip-Set is pre-set to the 212 area code (New York City) time zone, so if you live in New York within the 212 area code, simply press the "Mode" button to "ZIP" and it will automatically turn on your appliance at sunset and turn off after 6 hours. But if you live in another area code, please follow Zip-Set area code instructions.

Fast Set Up Instructions for Zip-Set™ Timers	
1	Find and press "Mode" button, until you see the Zip-Set icon to ZIP Then depress & hold the Clear (Zip-Set) button until the display flashes.
2	Set your area code To set: use "Reverse" / "Forward" buttons and ON/OFF to Confirm or Enter.
3	Set how many hours after sunset that you wish the fixture to turn the power off (2, 4, 6, 8, 10, 12, 14 or 16 hrs). or then to set press
	Yes- You are DONE!

⚠ Do not touch the time setting! It must always be set to the Default Preset Factory Time (NYC - (212) local time) for the zip-set program to work.

Detailed set up and function instructions are on back side of this manual.

Timer Operation

Manual Override

To override the On or Off settings, press the **6 On/Off Button**. The override setting will not change the next timed event.

Activate the Zip-Set Sunset timer

1. Press the **1 MODE Button** until "ZIP" icon is displayed. The Zip-Set sunset timer is set and active. to **ZIP**
2. SA 210, once properly set, knows the sunset time of your location. It will automatically turn on at sunset and turn off after your selected duration time of 2, 4, 6, 8, 10, 12, 14 or 16 hrs. (see ZIP-Set Telephone Area Code Setting)
3. Press the **7 Random Button** once to activate the random feature so the timer on/off time will fluctuate between +/-10 minutes to +/-120 minutes randomly. To cancel this feature, just press the button again (random disappears). **When your home is left unattended, this is an excellent security feature to simulate household activity and random should be activated.**

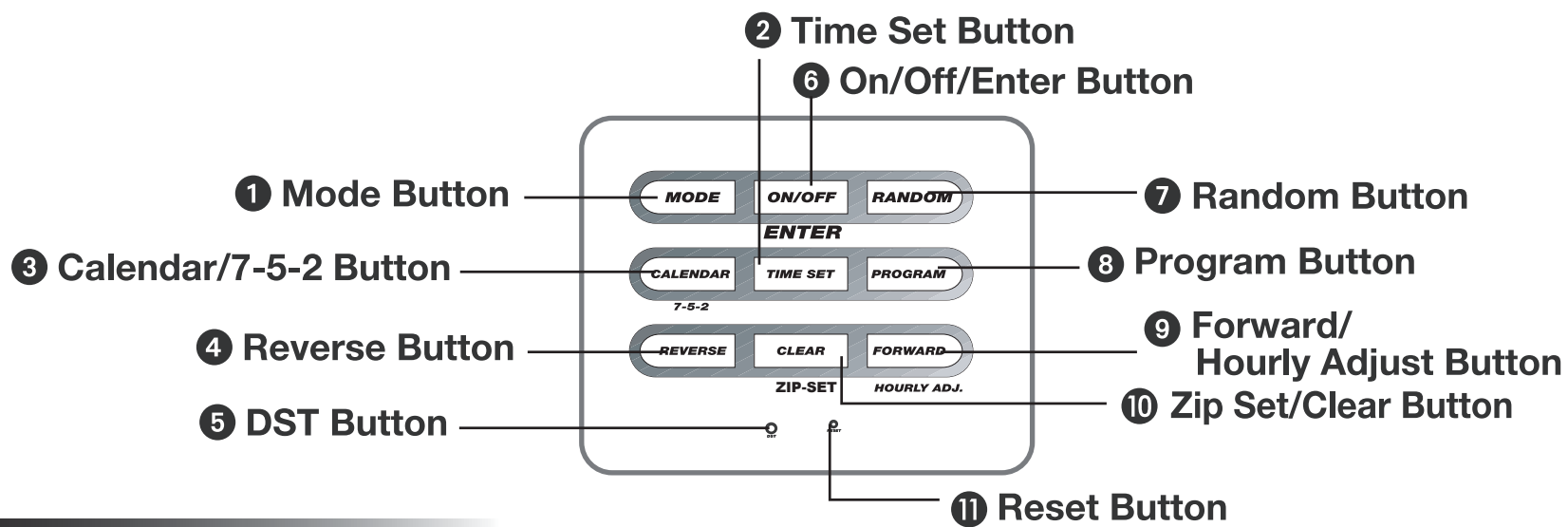
Activate the Programmable timer to **PROG**

1. Press **1 MODE Button** until the wanted program icon (**PROG 1,2,3, or 4**) is displayed and the chosen timer program will be active.
2. Press the **7 Random Button** once to activate the random feature so the timer on/off period will fluctuate between +/-10 minutes to +/-120 minutes randomly. To cancel this feature, just press the button again (random disappears).

Turn off all timer functions:

If you don't want to use any timer functions, just press the **1 MODE Button** until "OFF" is displayed. to **OFF**

Confirm timer settings for ON/OFF: Press **1 MODE**, select program then press **8 PROGRAM button**. then



Setting Zip-Set Telephone Area Code

The SA 210 internal clock is pre-set at the factory to the (212-NYC area code) Eastern time zone. (If you live in another area code other than 212- you need to change the area code). Simply enter your telephone area code by following these easy steps to have the time adjust to your location:

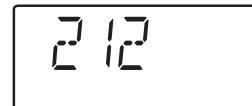
1. Press the **1 Mode Button** until "ZIP" appears in the display. (Figure A)
2. Press and hold the **10 Zip Set/Clear Button** until the display shows the 3-digit area code input mode (Figure B).
3. The 1st digit of the telephone area code should be flashing. Press the **9 Forward/Hourly Adjust** or **4 Reverse Button** to adjust it, then press **6 On/Off/Enter Button** to enter it and edit the next digit. Press the **10 Zip Set/Clear Button** to go back to / edit the previous digit. Continue until the correct telephone area code is displayed. (**Note:** For special area code time zones see note below)
4. Once your telephone area code is entered, select a turn off time for the Zip-Set automatic sunset timer (the default turn off time of 6 should flash) (Figure C). You can have the timer turn off (2, 4, 6, 8, 10, 12, 14 or 16 hours after sunset. While the turn off time is flashing, press the **9 Forward/Hourly Adjust** to cycle to the desired turn off setting, then press **6 On/Off/Enter Button** to enter it. When DONE appears in the display (Figure D), press **6 On/Off/Enter Button** to confirm or wait 10 seconds.
5. Press **1 Mode Button** to Zip (display icon) to confirm the timer is set for ZIP-SET Auto ON at Sunset. to

Note:

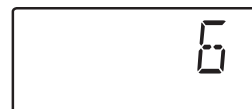
- (1.) After entering the Area codes for certain states, a "C" may appear next to the telephone area code, indicating a central location in the state. Press Forward or Reverse to toggle to W (West) or E (East) and N (North) or S (South) if needed for proper time setting.
- (2.) There are also area codes that may have different time zones; for example the 208 area code; by default will flash PST or by pressing Forward or Reverse will toggle to MST)
- (3.) Telephone area codes can change and may not appear in the timer's table. Should that occur, please use the closest adjacent area code to set the timer correctly for your location.
- (4.) If a new area code was issued after this unit was manufactured or if you enter an invalid/nonexistent area code, you will get an error message stating 'AREA CODE NOT FOUND'. Enter the closest correct area code for zip set mode to function properly.
- (5.) If the clock/calendar is not correct or time is lost after replacing batteries, zip-Set mode will not function properly. Please see Setting Clock and Calendar (below).



(Figure A)



(Figure B)



(Figure C)



(Figure D)

Using Programmable ON and OFF Time Settings

The SA 210 has **4 independent programmable ON/OFF time settings** so you can turn outdoor holiday, landscape and security lighting, etc. on and off at specific times.

1. Press **1 MODE Button** until the "PROG" and "1" icons are displayed. to (**PROG** 1,2,3,or 4)
2. Press the **3 Calendar/7-5-2 Button** to select the timer frequency. "7" means the timer will operate all week, "5" for weekdays and "2" for just the weekend.
3. Press and hold the **8 Program Button** until the display is flashing. (Figure E)
4. The display will change to show the "on" time for program 1 and flash. The On Icon will appear. Press the **9 Forward/Hourly Adjust** or **4 Reverse Button** to adjust the ON time.
5. Press the **6 On/Off/Enter Button** or wait for approx. 10 seconds. The display will show "off" time, and the Off Icon will appear. (Figure F) Press the **9 Forward/Hourly Adjust** or **4 Reverse Button** to adjust OFF time. Press the **6 On/Off/Enter Button** once more or wait for approx. 10 seconds to return to normal mode. Display will change back to show the clock time.
6. To program 2nd, 3rd or 4th timer, just follow step 1-5 but press **1 MODE Button** until "PROG" and corresponding ("2", "3" or "4") icons are displayed.

Note: Do not program the same on and off time when setting programs 1, 2, 3 or 4. You can not set the turn on and turn off to the same time (i.e., Turn on at 5:00 am and turn off at 5:00 am). Doing so will produce an error message on the display. To resolve the error message, change the off time by at least one minute using the forward or reverse button.

Program Times



(Figure E)

(Light ON)



(Figure F)

(Light OFF)

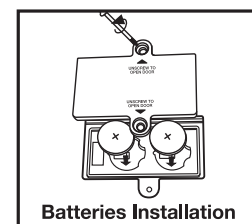
Activating the Programmable timer

1. Press **1 MODE Button** until one of the program icons appears. That programmed timer is now active. (Press the **8 Program Button** to view the existing ON and OFF preset times).
2. There is a simpler way to adjust turn on time by pressing the **9 Forward/Hourly Adjust Button**. The turn On can be adjusted by +/-90 minutes.
3. If you wish, press the **7 Random Button** once to activate the random feature. The timer on/off time will fluctuate +/-10 to +/-120 minutes randomly. To cancel this feature, just press the button again

Battery Replacement

Battery Installation – This unit comes with 2 x CR2032 batteries for time keeping and back-up. You should replace the batteries every 2 years. To replace the batteries, please follow these steps:

1. Remove the SA 210 plug from the wall socket.
2. Unscrew mounting screws and remove unit from wall.
3. Turn unit over and using a small Phillips screw driver, remove the 2 screws holding the battery compartment cover (on back of unit).
4. Using a small flat screwdriver, gently pry the battery door open. Remove the 2 CR2032 batteries.
5. Install 2 new CR2032 batteries into the battery compartment, making sure that the + and – polarities match up with the diagram printed on the unit.
6. When the batteries are in place, return the battery door its original position and tighten the screws.
7. If you find the timer is not running after installing new batteries, you may need to reset it first. Using the point of a pencil or paperclip, press the **11 RESET Button** located on the front panel. You will then need to reset the time and date.
8. Remount unit as before and plug the timer into the wall socket.



NOTE: When changing batteries, make sure to reset the current time to the correct time in the Eastern time zone. When you enter your telephone area code, it will then automatically adjust to the proper time for your location/time zone.

If Reset: Zip-Set must have the area code, year and date and Eastern time entered properly to function.

Setting Clock and Calendar

Clock Setting (this function is usually used when batteries must be replaced) Set only to Eastern Time- 212 area code.

1. Press and hold the **2 TIME SET Button** until the display is flashing.
2. Press and hold the **9 Forward/Hourly Adjust Button** to rapidly advance the time forward, or the **4 Reverse Button** to rapidly change the time backward. Release button when the approximate correct Eastern time is displayed. PM Indicator is on the upper right corner of the display.
- Note:** While pressing either **9 Forward/Hourly Adjust** or **4 Reverse Button** the minutes will begin at a moderate pace, and then get faster. This will help you in set the time faster and more accurately.
3. Press the **9 Forward/Hourly Adjust** or **4 Reverse Button** repeatedly until the correct Eastern time is displayed.
4. Press the **6 On/Off/Enter Button** or wait for approx. 10 seconds to exit time setting mode.
5. Press the **5 DST Button** to ON to have timer increase the current time by 1 hour for daylight saving time. The DST Indicator is to the right of the display. Press the **5 DST Button** again to turn it off. Current time will decrease 1 hour.

Calendar Setting (This function is usually used when batteries must be replaced)

1. Press and hold the **3 Calendar/7-5-2 Button** until "Y 04" (default) flashes on the display.
2. Press the **9 Forward/Hourly Adjust** or the **4 Reverse Button** to adjust to current year then press **6 On/Off/Enter Button** or wait for approx. 10 seconds. The display will show month/date and flash.
3. Press the **9 Forward/Hourly Adjust** or **4 Reverse Button** repeatedly until the correct month/date is displayed.
4. Press the **6 On/Off/Enter Button** or wait for approx. 10 seconds to exit calendar setting mode.

Note: While pressing either **9 Forward/Hourly Adjust** or **4 Reverse Button** the date will begin at a moderate pace, and then get faster. This will assist you in setting the time quickly and accurately.

Ratings:

Total load: 15 AMP Resistive & Inductive, 1000W Tungsten & Incandescent, 1/4 HP 120VAC, 60Hz.



WARNINGS: DO NOT USE THE TIMER TO TURN OFF POWER FOR MAINTENANCE WORK (repairs, removing broken bulbs, etc.). ALWAYS TURN POWER OFF AT THE SERVICE PANEL BY REMOVING A FUSE OR TRIPPING THE CIRCUIT BREAKER BEFORE DOING ANY ELECTRIC REPAIRS. NEVER SUBMERGE UNIT INTO WATER.

SAFETY WARNING

- Risk of electric shock**
- No Serviceable parts inside- Do not open or tamper with unit.
 - Plug directly into an electric outlet
 - Connect to grounded 3-prong outlet only
 - Do not use a 3- to 2-prong adaptor to defeat the grounding pin.
 - Remove timer from outlet before cleaning
 - Keep children away from timer & outlet
- Risk of fire**
- For only 120 volt usage
 - Do not use to control irons and cooking appliances, etc.
 - Do not exceed the recommended electrical ratings

HARDWARE Innovations

Building Solutions for the Industry™

Manufactured by Hardware Innovations LLC.

Technical Support 888-548-4484
www.hardwareinnovations.com

SA210- 7-25-2006 V-3

Made in China