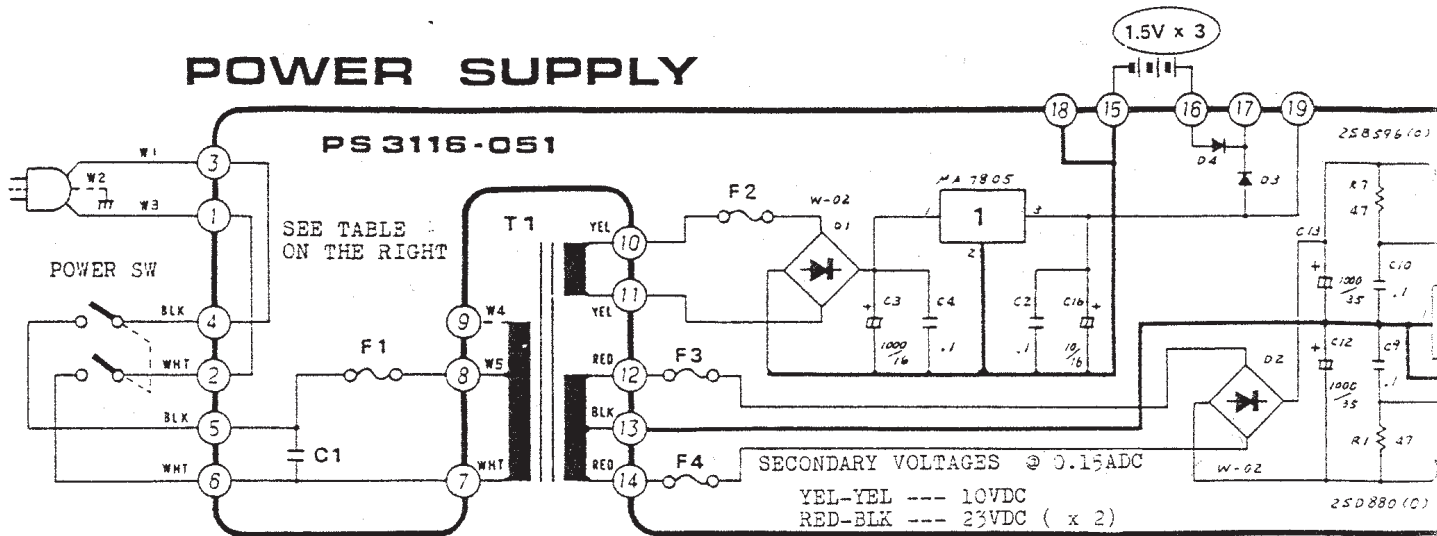
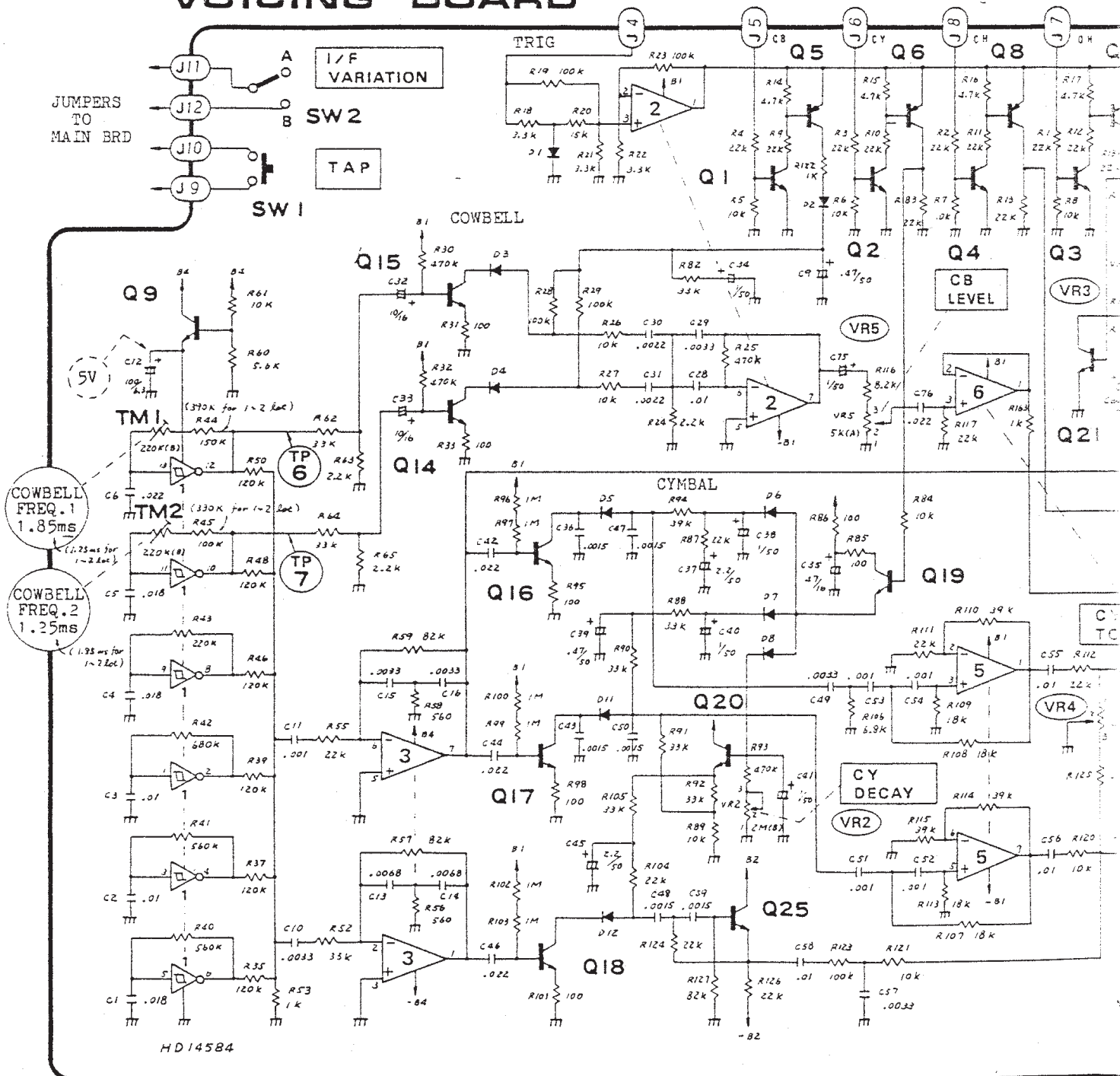


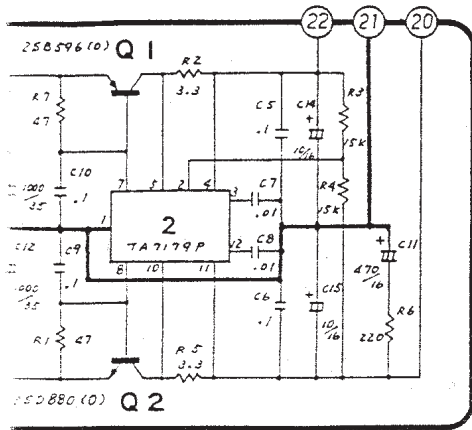
# POWER SUPPLY



# VOICING BOARD

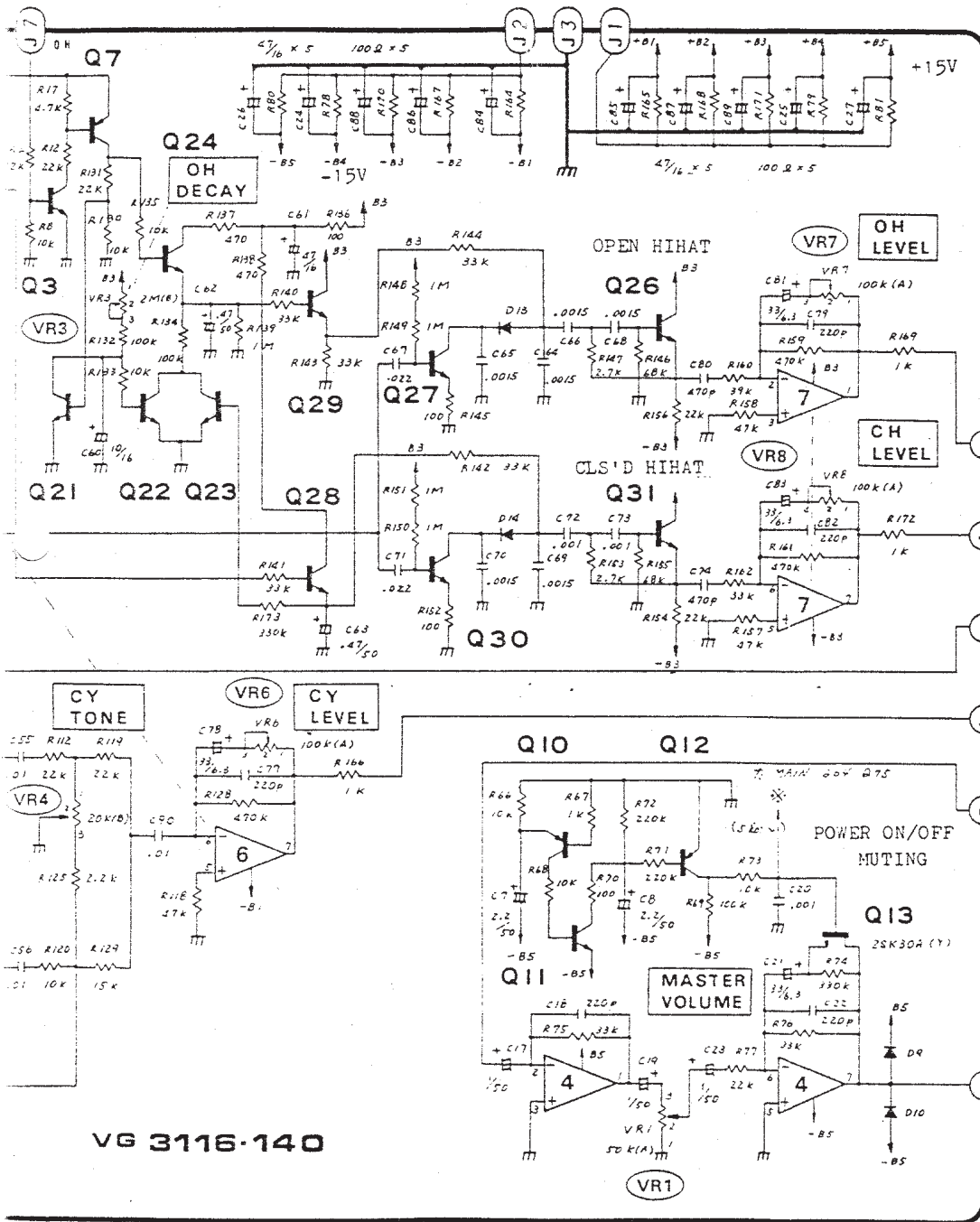


# JACK-B

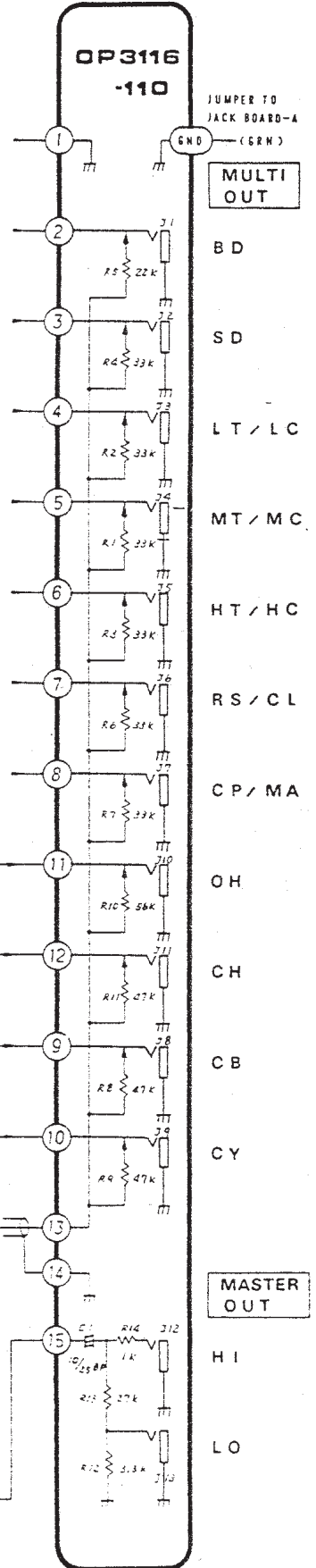


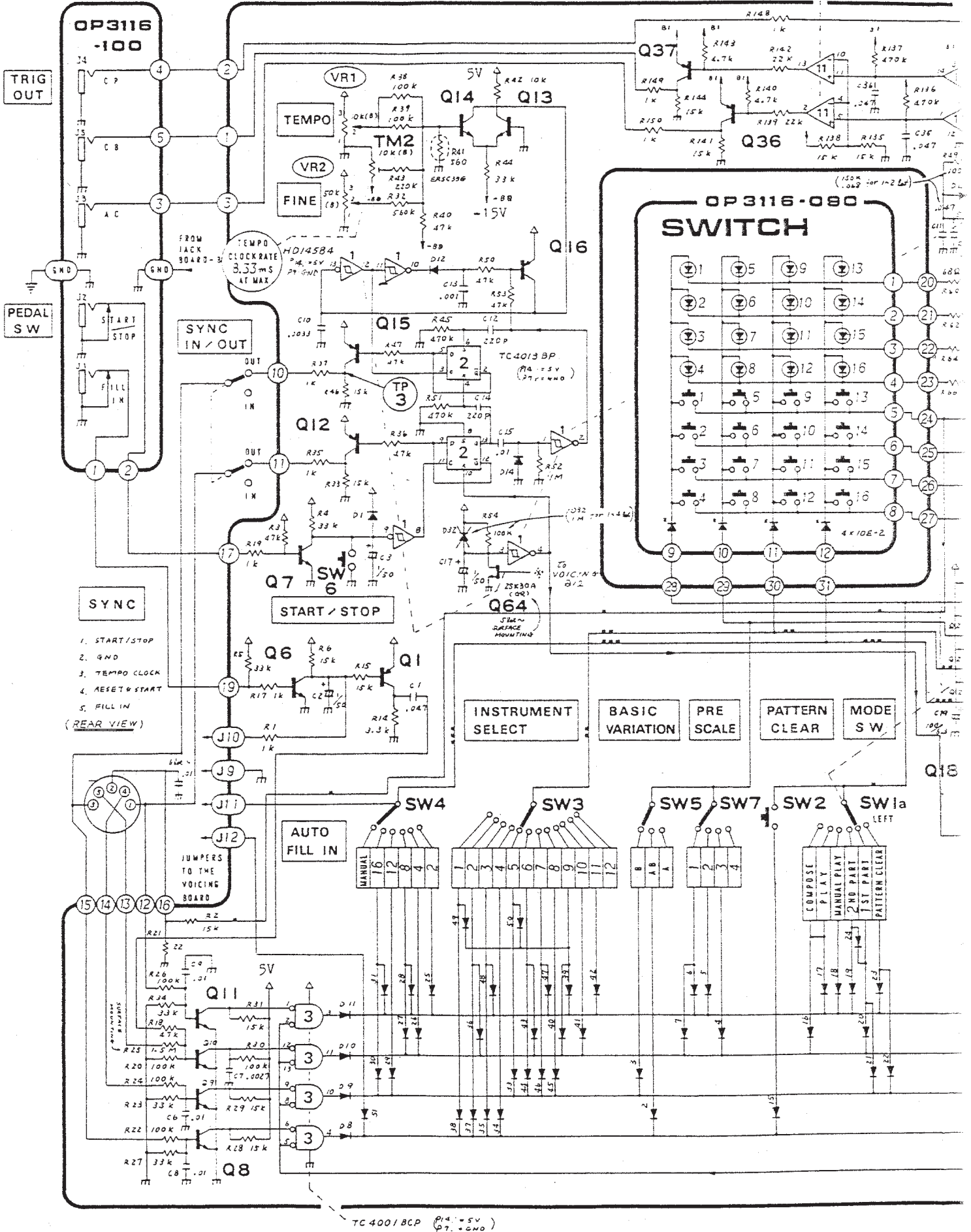
V	BOARD NO	T1	POWER SW	C1	F1-F4	W1	W2	W3	W4	W5
100	311	245-217ND	S06 SP-661	ECO-U1A 473 MC	S6A 0.5A	BLK	WHT	BLU		
117	-051	218CD				BLK	GRN	WHT	GRN	
220		219 DB	-502	ECO-U2A 473 MF	CEE 250WAT	BRN	GRN	BLU	RED	BRN
240	-054					BRN	GRN	BLU	BRN	RED
240 3P						BRN	GRN	BLU	BRN	RED

F2-F3 on later 100/117V versions  
FRNB 10 ohm 1/4W(fusing resistor)



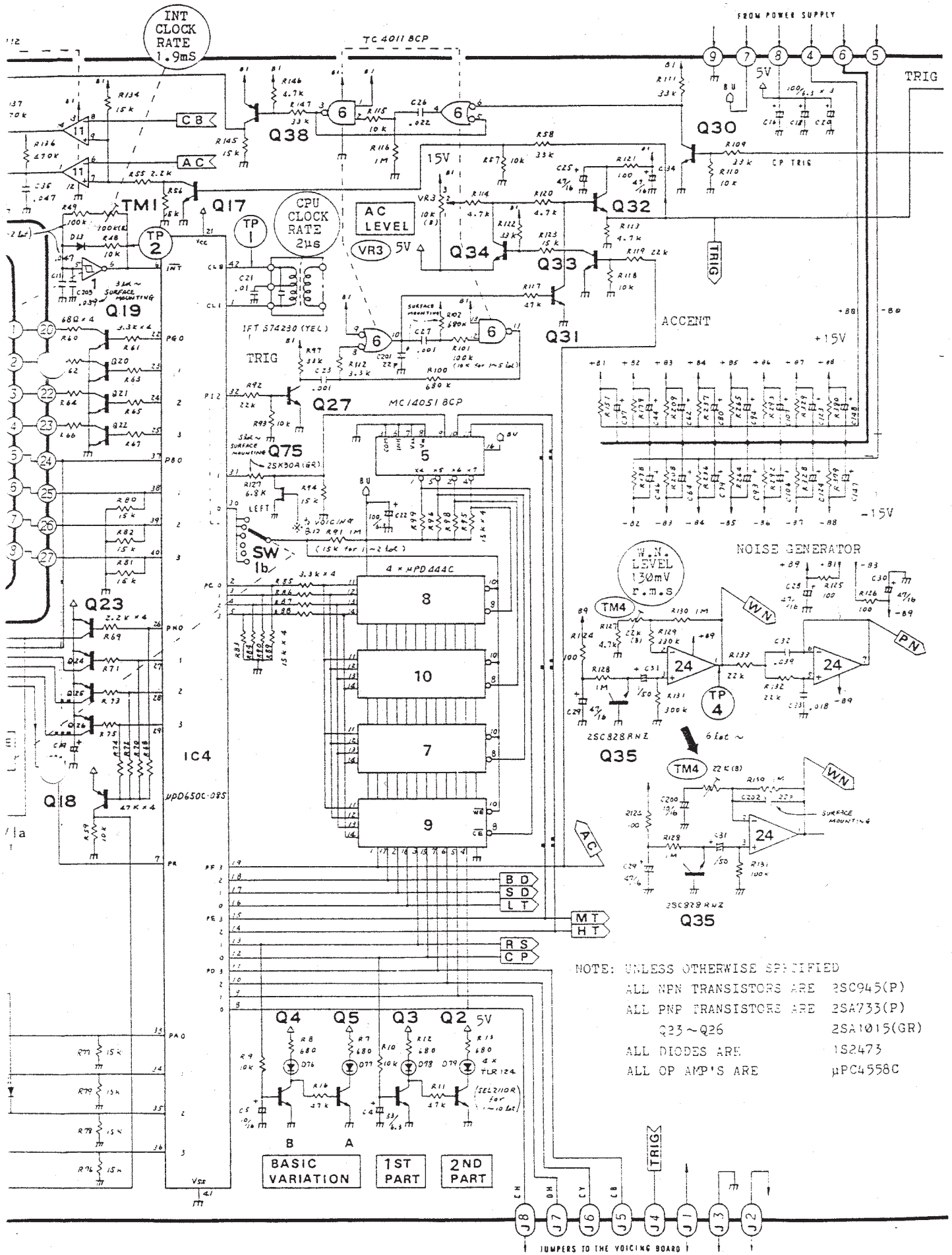
VG 3116-140



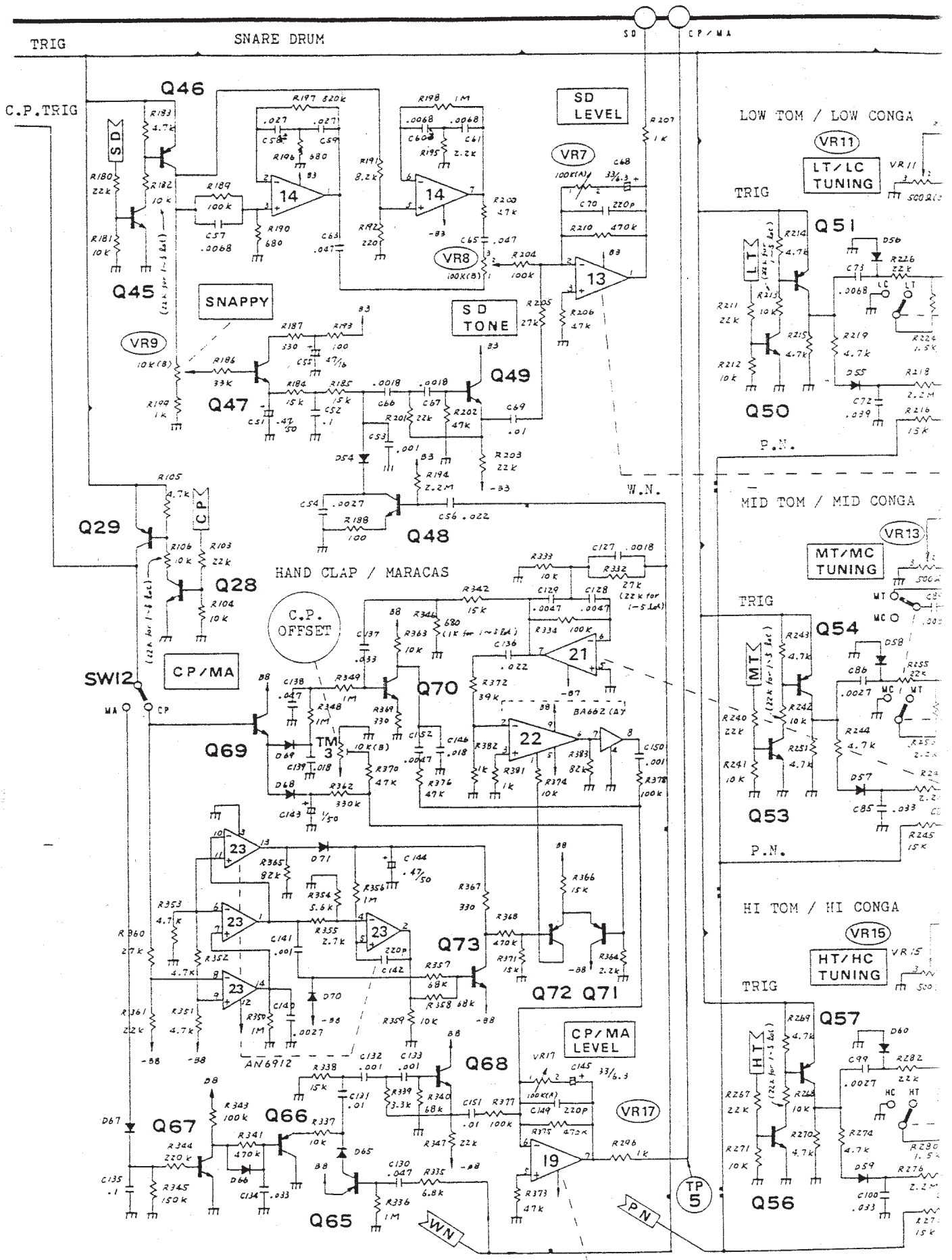


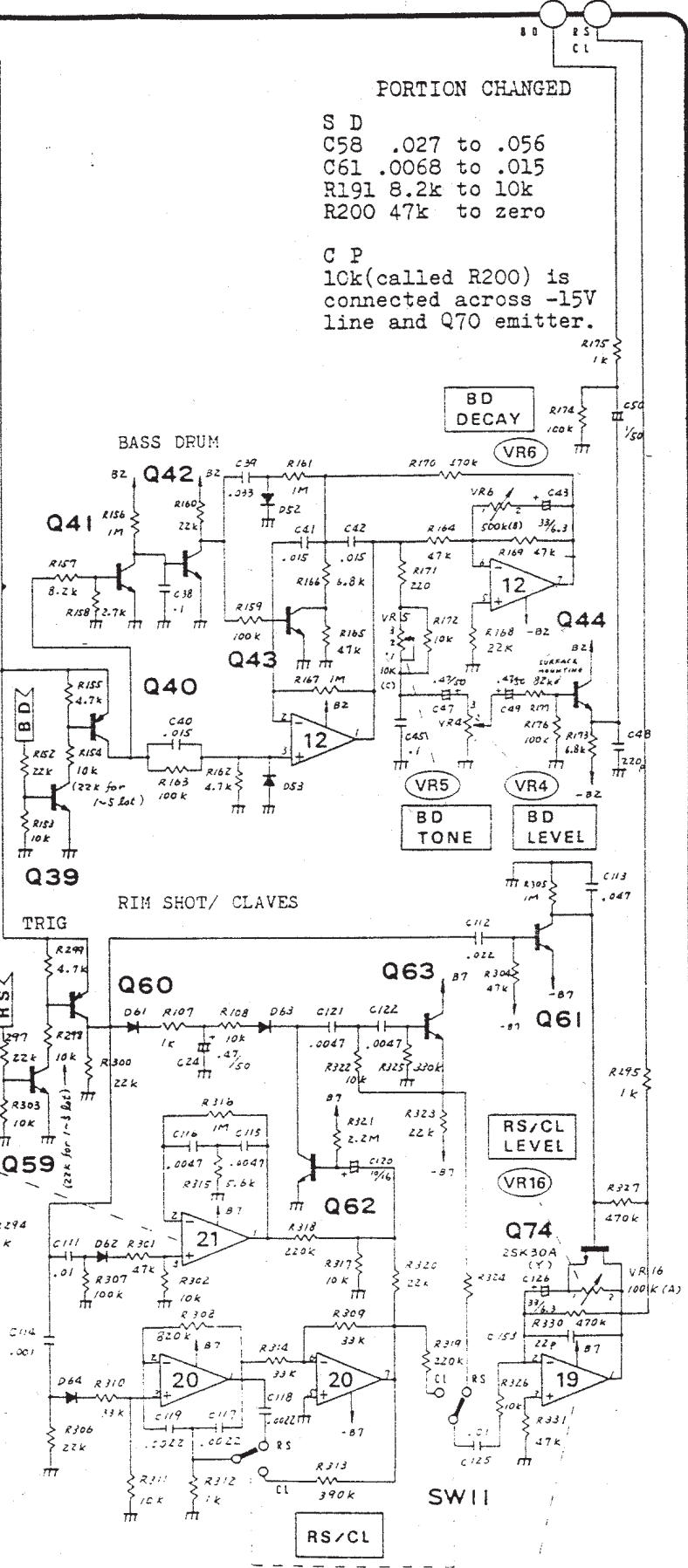
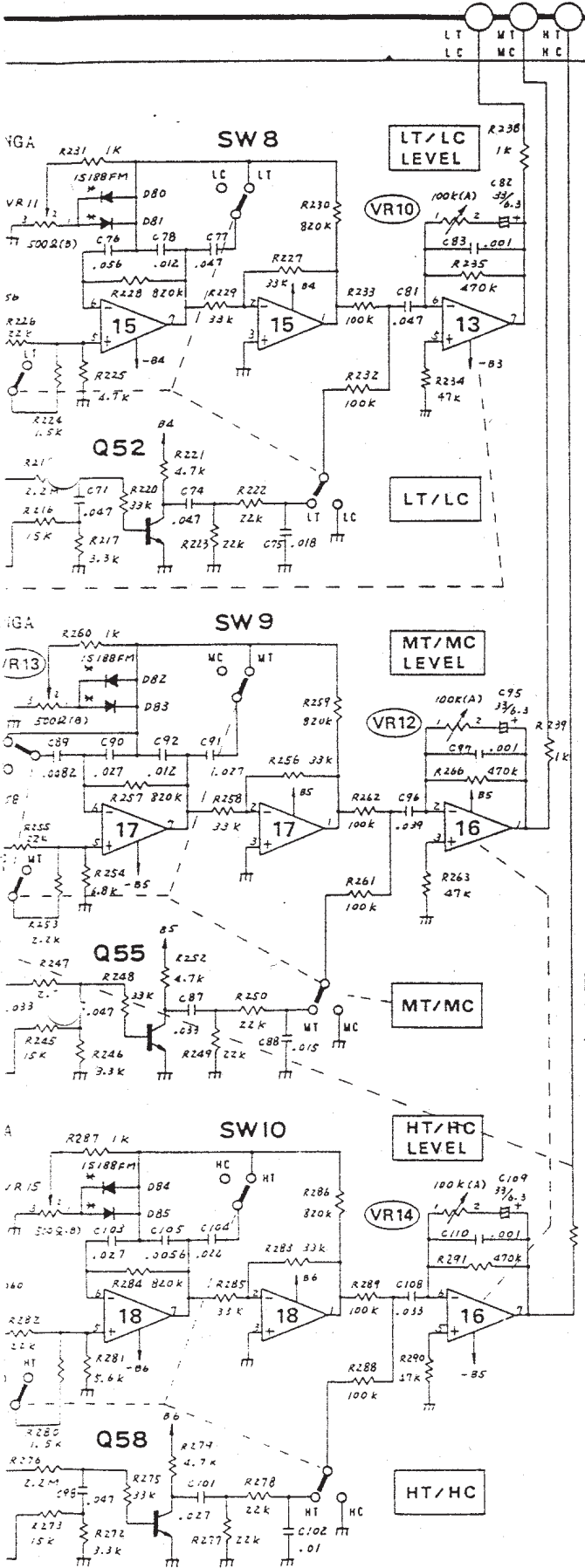
- SYNC**
1. START/STOP
  2. GND
  3. TEMPO CLOCK
  4. RESET & START
  5. FILL IN
- (REAR VIEW)

TC 4001 BCP (V<sub>D</sub> = 5V, I<sub>T</sub> = 0.2mA)



NOTE: UNLESS OTHERWISE SPECIFIED  
 ALL NPN TRANSISTORS ARE 2SC945(P)  
 ALL PNP TRANSISTORS ARE 2SA733(P)  
 Q23~Q26 2SA1015(GR)  
 ALL DIODES ARE 1S2473  
 ALL OP AMP'S ARE µPC4558C





PORTION CHANGED

S D  
 C58 .027 to .056  
 C61 .0068 to .015  
 R191 8.2k to 10k  
 R200 47k to zero

C P  
 10k(called R200) is connected across -15V line and Q70 emitter.

BD DECAY

BASS DRUM

RIM SHOT/ CLAVES

BD TONE

BD LEVEL

RS/CL LEVEL

RS/CL