

TRG SERIES

WALL/CEILING MOUNT

Cat. #		Approvals
Job	Type	

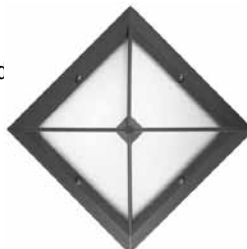
**DEVINE
LIGHTING™**

SPECIFICATIONS

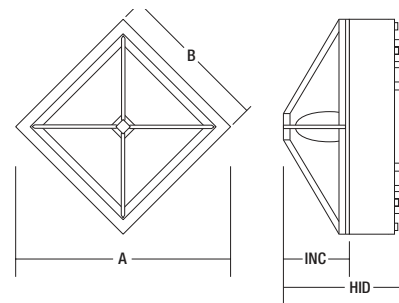
- Frosted glass lens softly distributes lamp lumens; Held by heavy-wall cast aluminum frame with tamper-resistant stainless steel allenhead screws
- Cast aluminum housing, incandescent or HID versions; Galvanized steel mounting plate on incandescent version; Cast back box lags to wall on HID; Rugged construction
- Type V distribution from two or four pane units; Frosting reduces lamp image
- Available in 50 and 70 watt metal halide and HPS, 75 watt max incandescent
- Standard powder paint finishes are dark bronze, black, white and platinum
- Listed to UL1598 for use in wet locations



TRG20



TRG40



	A	B	Depth
INCAND.	14"	9 ¹⁵ / ₁₆ "	4 ³ / ₄ "
	356 mm	252 mm	121 mm
HID	14"	9 ¹⁵ / ₁₆ "	8 ¹ / ₂ "
	356 mm	252 mm	216 mm



ORDERING INFORMATION

ORDERING EXAMPLE: TRG20-50MH-120-DB-LP

SERIES	WATTAGE/SOURCE	VOLTAGE ¹	FINISH	OPTIONS
TRG20 2 Pane	50HPS 50w HPS, medium base	120 120V	DB Dark Bronze	F Fusing
TRG40 4 Pane	70HPS 70w HPS, medium base	277 277V	BLK Black	LP Lamp included
	50MH 50w PSMH, medium base	MT Multi-Tap 120/208/240/277V	WHT White	
	70MH 70w PSMH, medium base	347 347V	SAL Platinum	
	75INC 75w Incandescent, medium base		CC Custom	

¹ 50 Hz, 220/240V available (consult factory)

Due to our continued efforts to improve our products, product specifications are subject to change without notice.

**DEVINE
LIGHTING™**

Devine Lighting • 701 Millennium Boulevard • Greenville, SC 29607 • PHONE: 864-678-1000

For more information visit our web site: www.devine-ltg.com