

# *Service Manual*

**TRITON**

**TRITON pro**

**TRITON proX**

**EXB-SCSI**

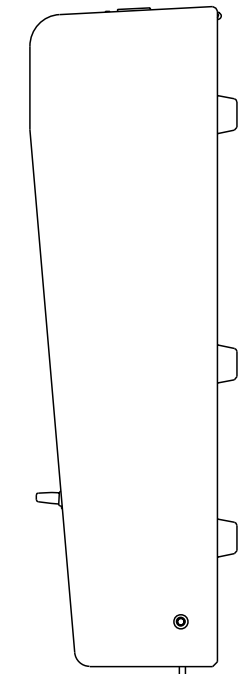
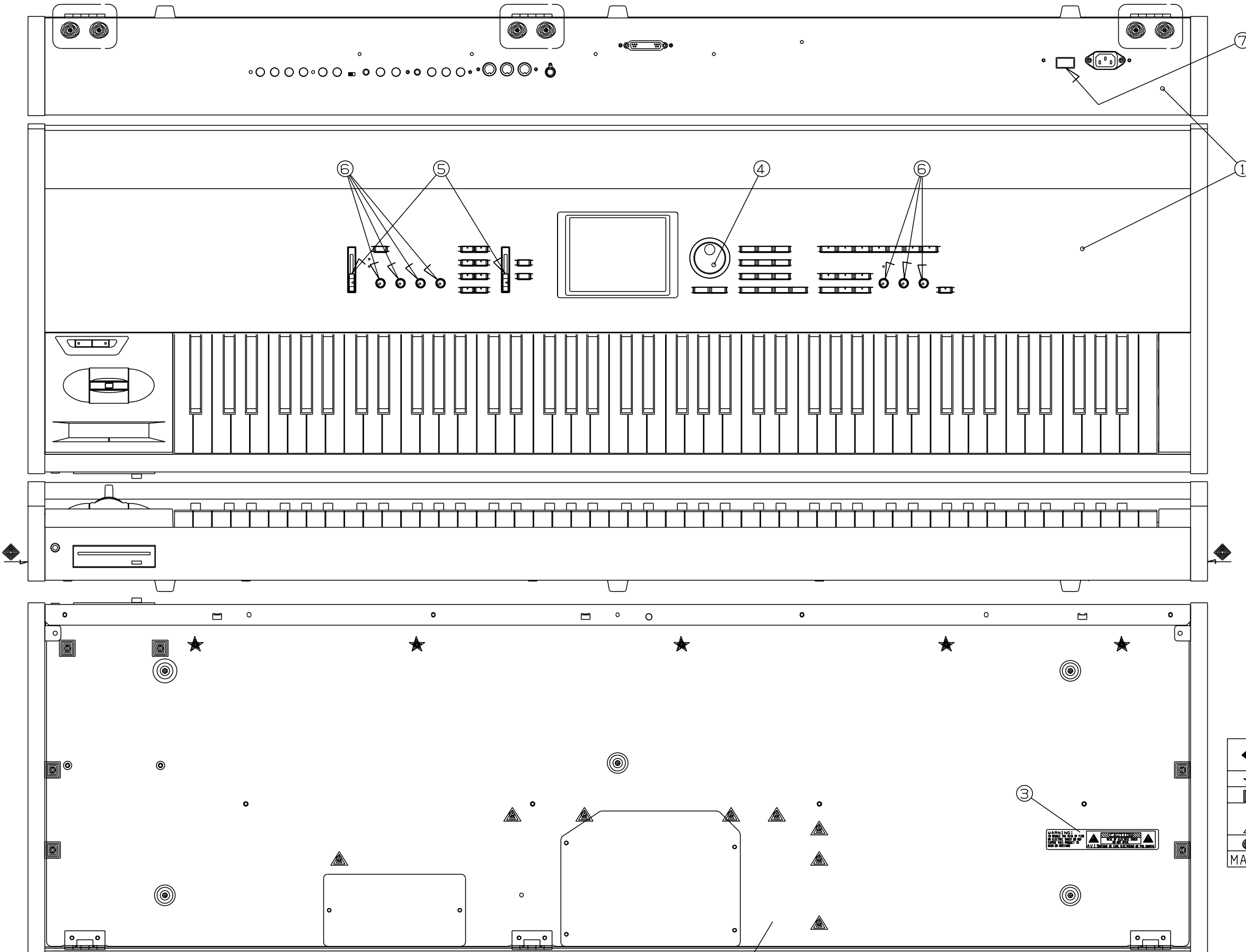
**EXB-MOSS**

## **CONTENTS**

1) Structural Diagram - - - - -	2
2) Block Diagram - - - - -	12
3) Circuit Diagram - - - - -	15
4) Diagnostics - - - - -	27
5) Parts List - - - - -	28

Revision: 1.00  
Issued date: Aug.24.1999  
Issued by: KORG INC.

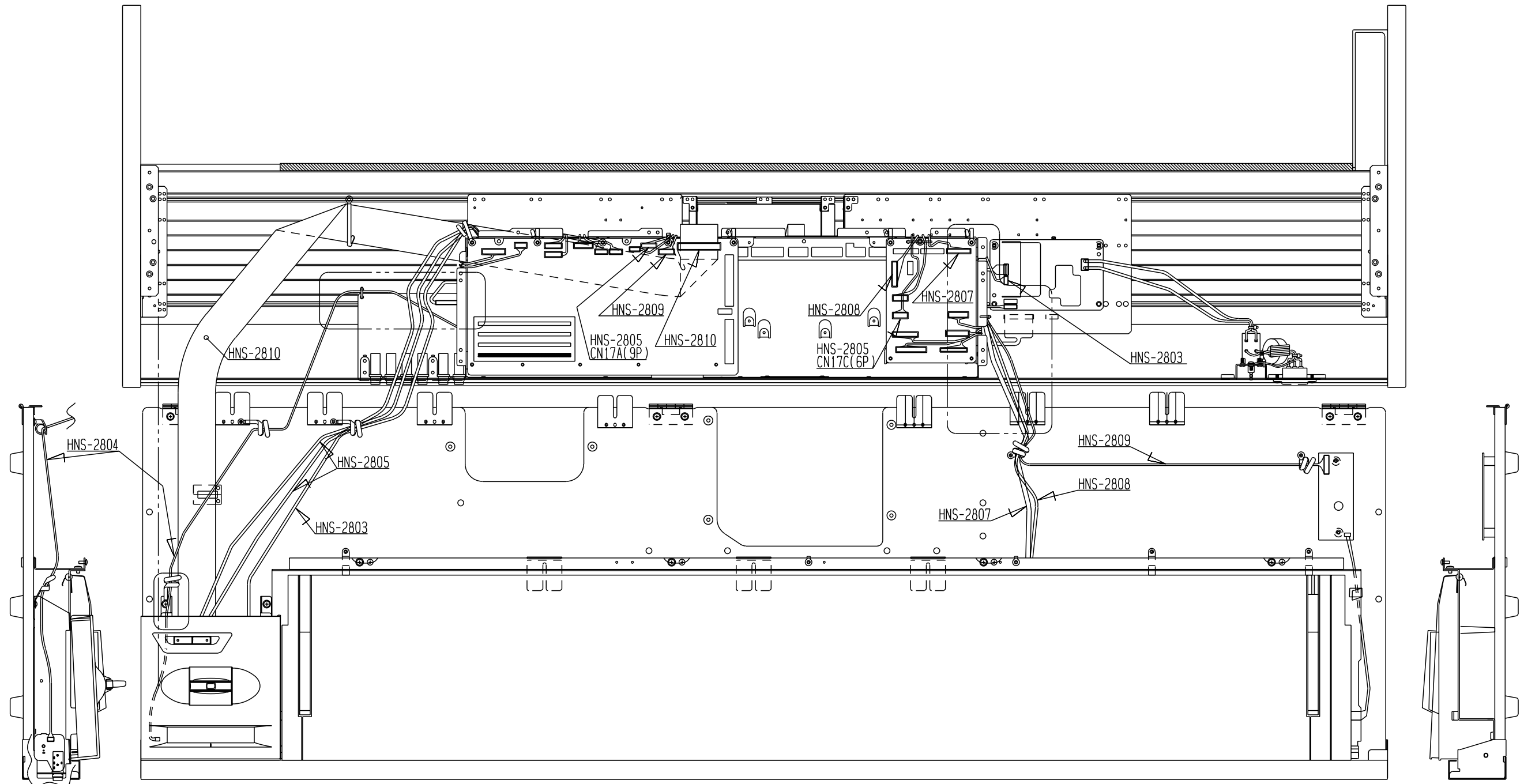
# DISASSEMBLY FOR TRITON proX (1/6)



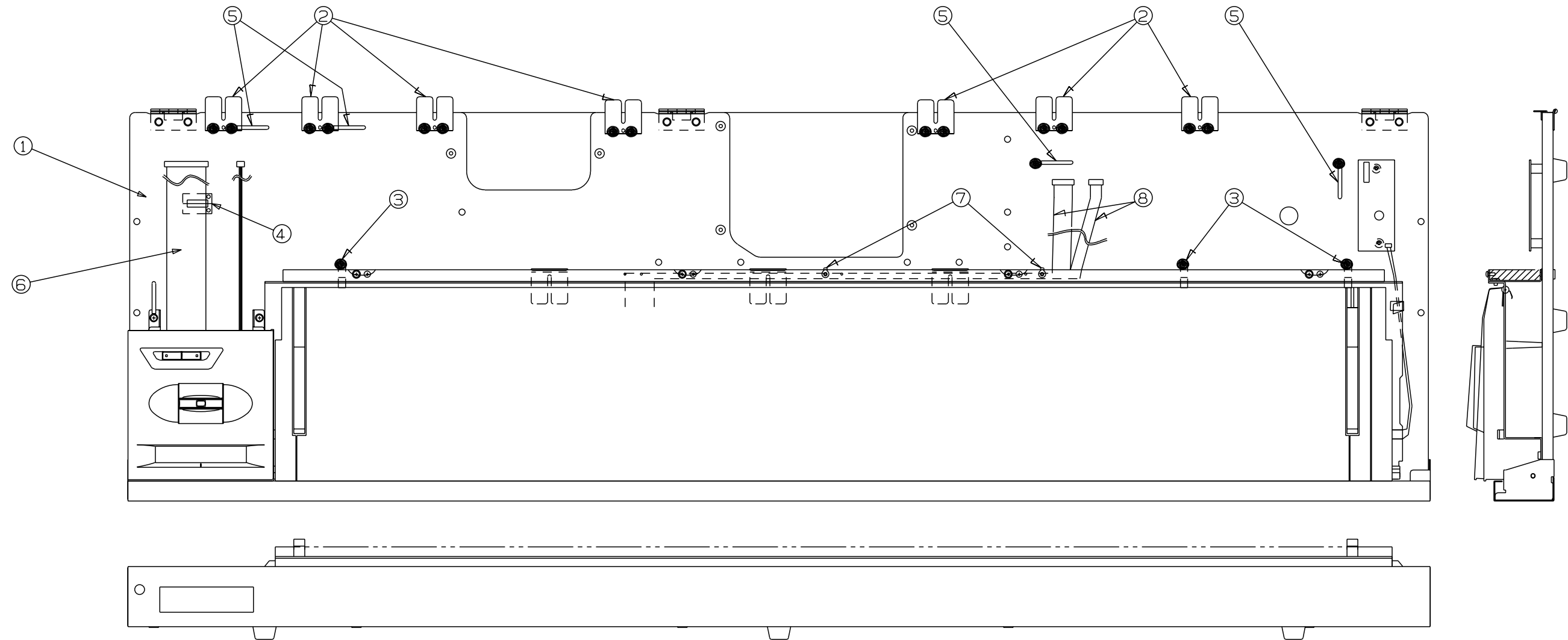
◆	HEXAGON SOCKET HEAD CAP	2
★	SCREW SUS 5X20	
★	FE WSE1 BZMC 5X25	5
■	FE FEW BZMC 4X20	6
▲	BT FEW BZMC 4X20	
▲	BT B BZMC 4X16	8
●	BT B UC 3X8	6
MARK	SCREWS	Q' TY

NO.	PART CODE	PART NAME	Q' TY
1	641041538	X-8100 PANEL	1
2	645052811	X-8100 BOTTOM CASE	1
3	-----	SERVICE MAN CAUTION SEAL	1
4	620034700	X-610 ENCODER KNOB	1
5	620034600	X-631 SVR KNOB	2
6	620035900	KNOB P422-9PF	7
7	620024600	X-952 POWER SW KNOB	1

DISASSEMBLY FOR TRITON proX (2/6)



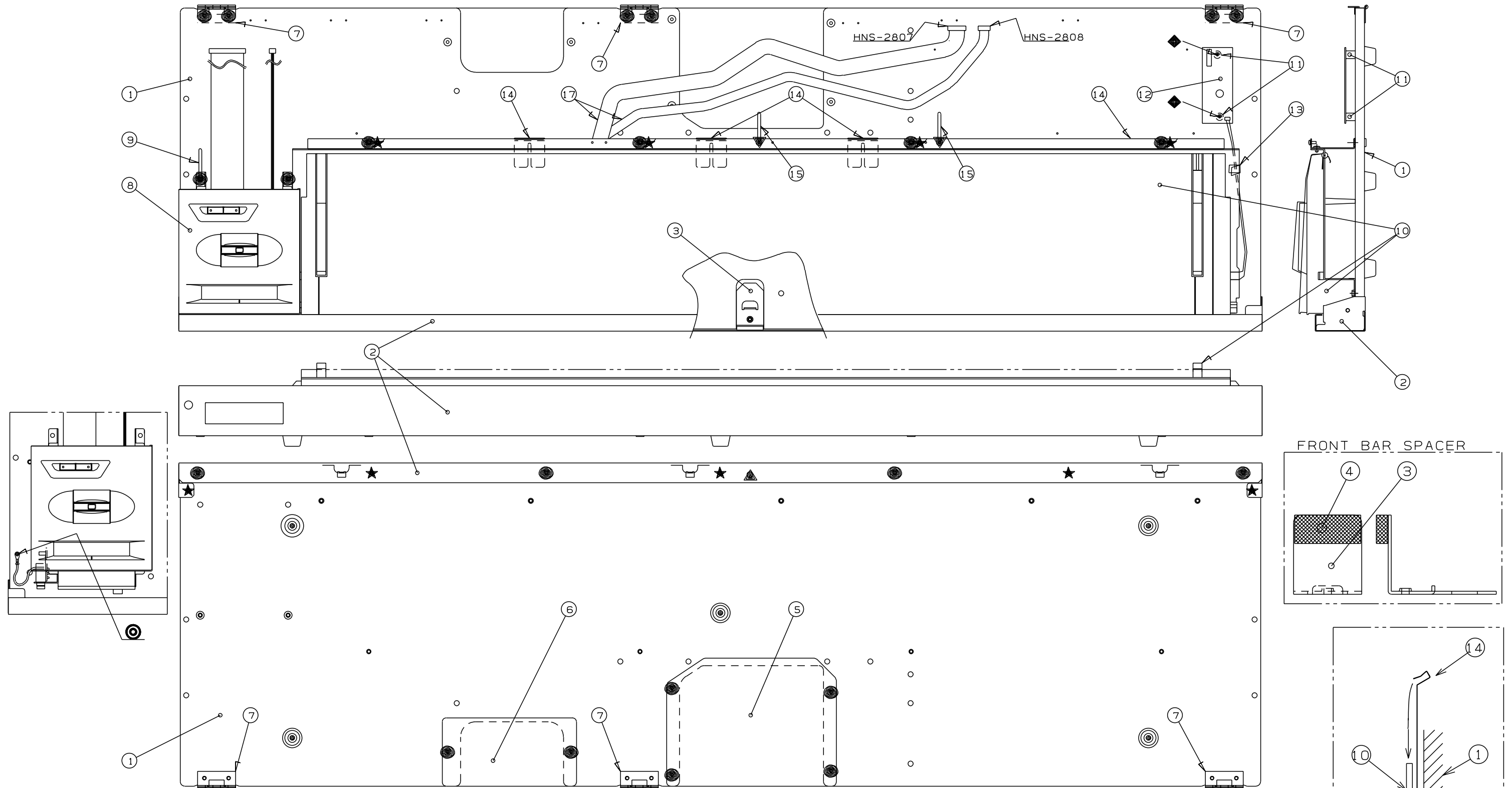
DISASSEMBLY FOR TRITON proX (3/6)



NO.	PART CODE	PART NAME	Q' TY
1	645052811	X-8100 BOTTOM CASE	1
2	641031900	GND SPRING (A)	7
3	641041270	GND SPRING (H)	3
4	-----	CLIP A-1T	1
5	-----	SPIRAL CLIP	4
6	475002810	HARNESS HNS-2810	1
7	-----	SPIRAL CLIP	1
8	475002807	HARNESS HNS-2807	1

●	TP1	B BZMC 3X10	19
MARK		SCREWS	Q' TY

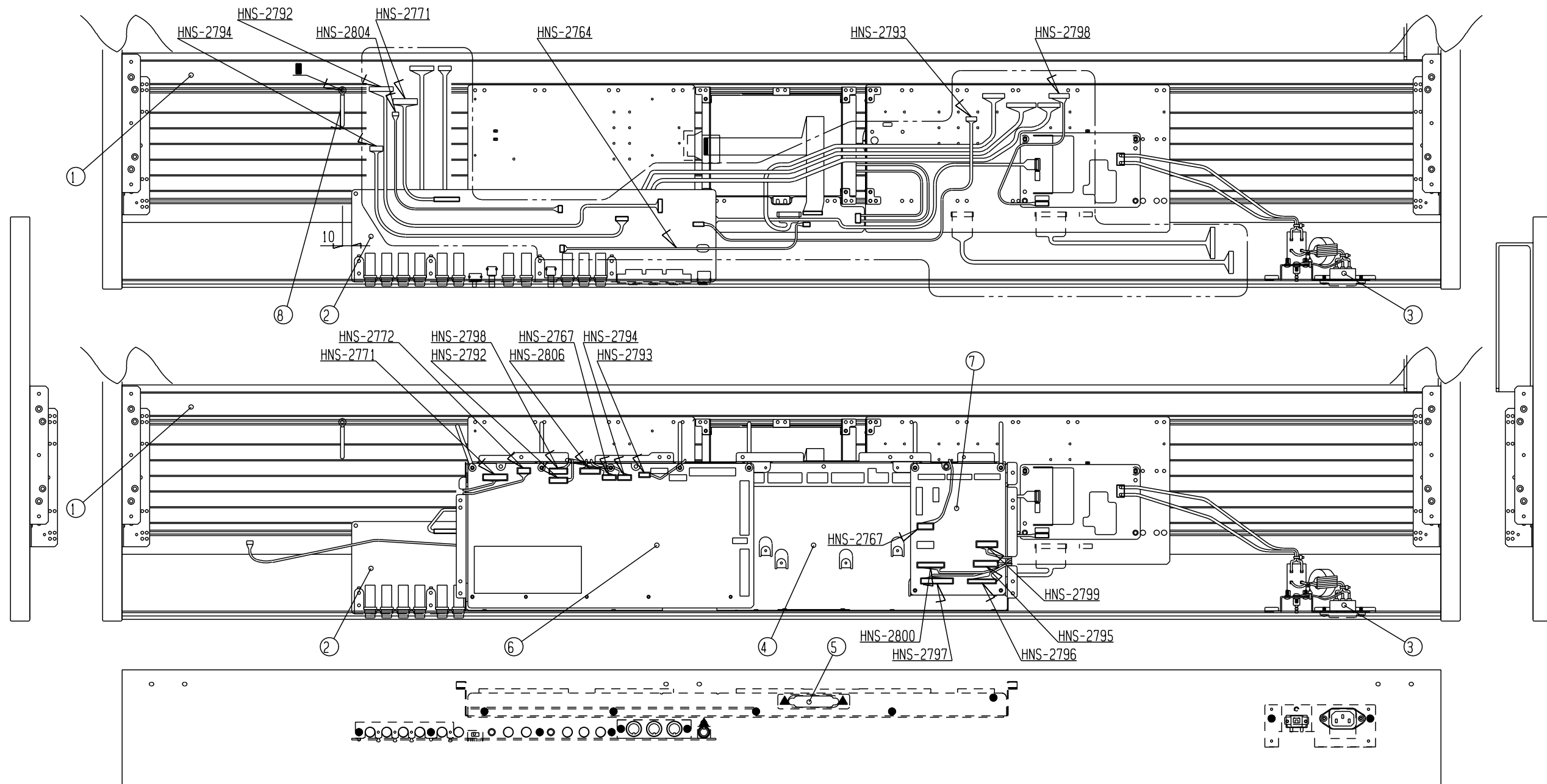
# DISASSEMBLY FOR TRITON proX (4/6)



NO.	PART CODE	PART NAME	Q' TY
1	645052811	X-8100 BOTTOM CASE	1
2	641041545	X-8100 FRONT BAR	1
3	641032100	X-122 FRONT BAR SPACER 2	1
4	500027900	X-313 FRONT BAR SPACER	1
5	641041548	X-8100 OP COVER A	1
6	641041549	X-8100 OP COVER B	1
7	641026204	X-122 HINGE 2	3
8	646071700	X-313 JS PANEL	1
9	-----	SPIRAL CLIP	1
10	420005500	KEYBOARD AEII-88 KG2	1
11	540021900	PLASTIC SUPPORT PS-610	2
12	-----	AFTERTOUCH PCB	1
13	-----	ADHISION TAPE	1
14	644007700	GND SPRING (H)	3
15	-----	SPIRAL CLIP	2

MARK				Q' TY
⊙	TP1 B	BZMC	3X10	1
▼	BT B	ZMC	3X8	2
★	TP1 B	BZMC	3.5X12	9
◆	TP1 B	ZMC	3X20	2
▲	FE FEW	BZMC	4X20	1
●	FE FEW	BZMC	4X14	22
		SCREWS		Q' TY

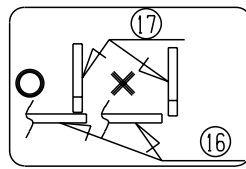
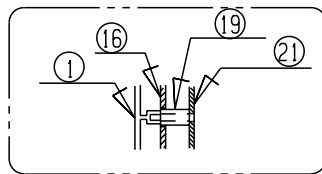
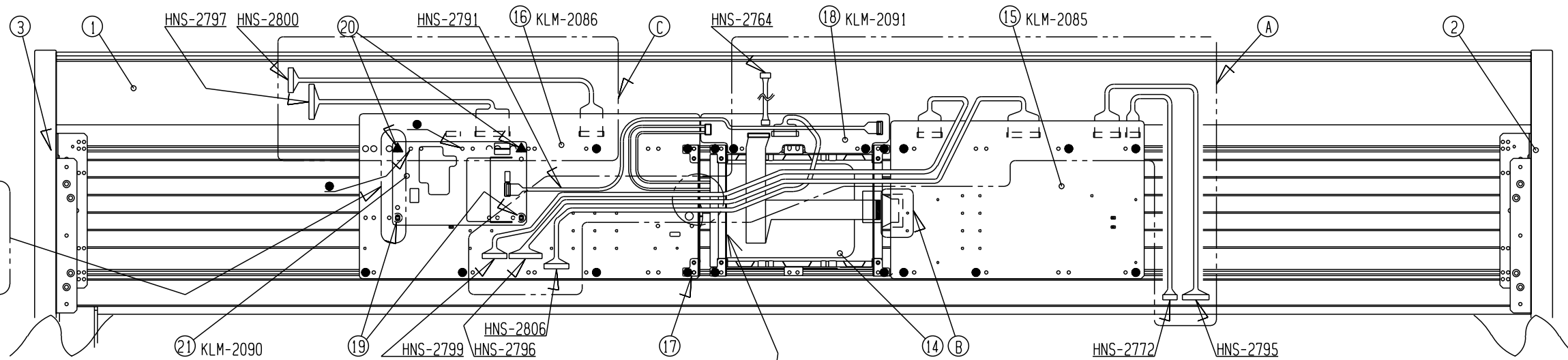
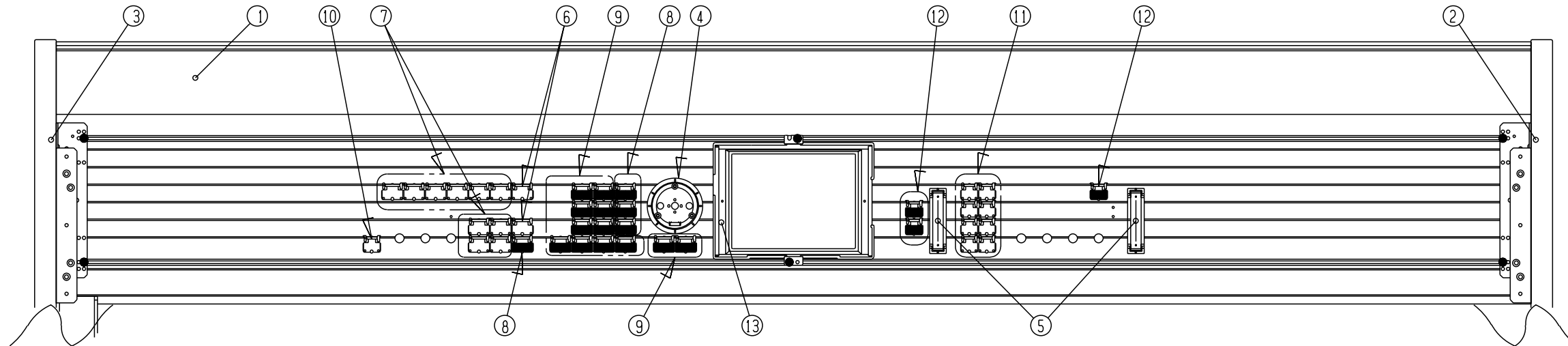
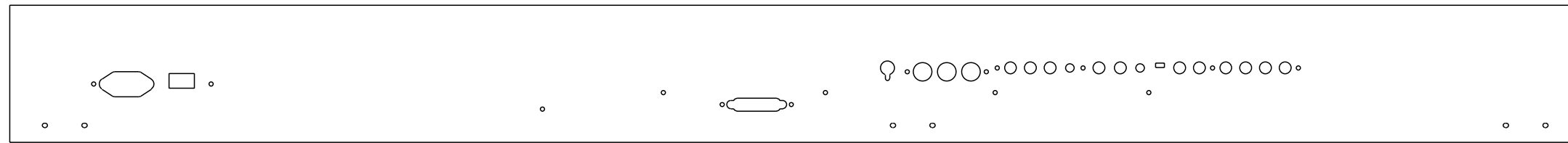
# DISASSEMBLY FOR TRITON proX (5/6)



NO.	PART CODE	PART NAME	Q' TY
1	641041538	X-8100 PANEL	1
2	001208400	PCB ASSY KLM-2084	1
3	540020200	INLET SOCKET SS-7B	1
4	641041528	X-7100/7110 PCB BOX	1
5	641041530	X-7100/7110 OP PLATE	1
6	001208300	PCB ASSY KLM-2083	1
7	001208900	PCB ASSY KLM-2089	1

■	BT	B	ZMC	3X8	1
▲	FE	B	UC	3X8	3
●	BT	B	UC	3X8	13
MARK	SCREWS				Q' TY

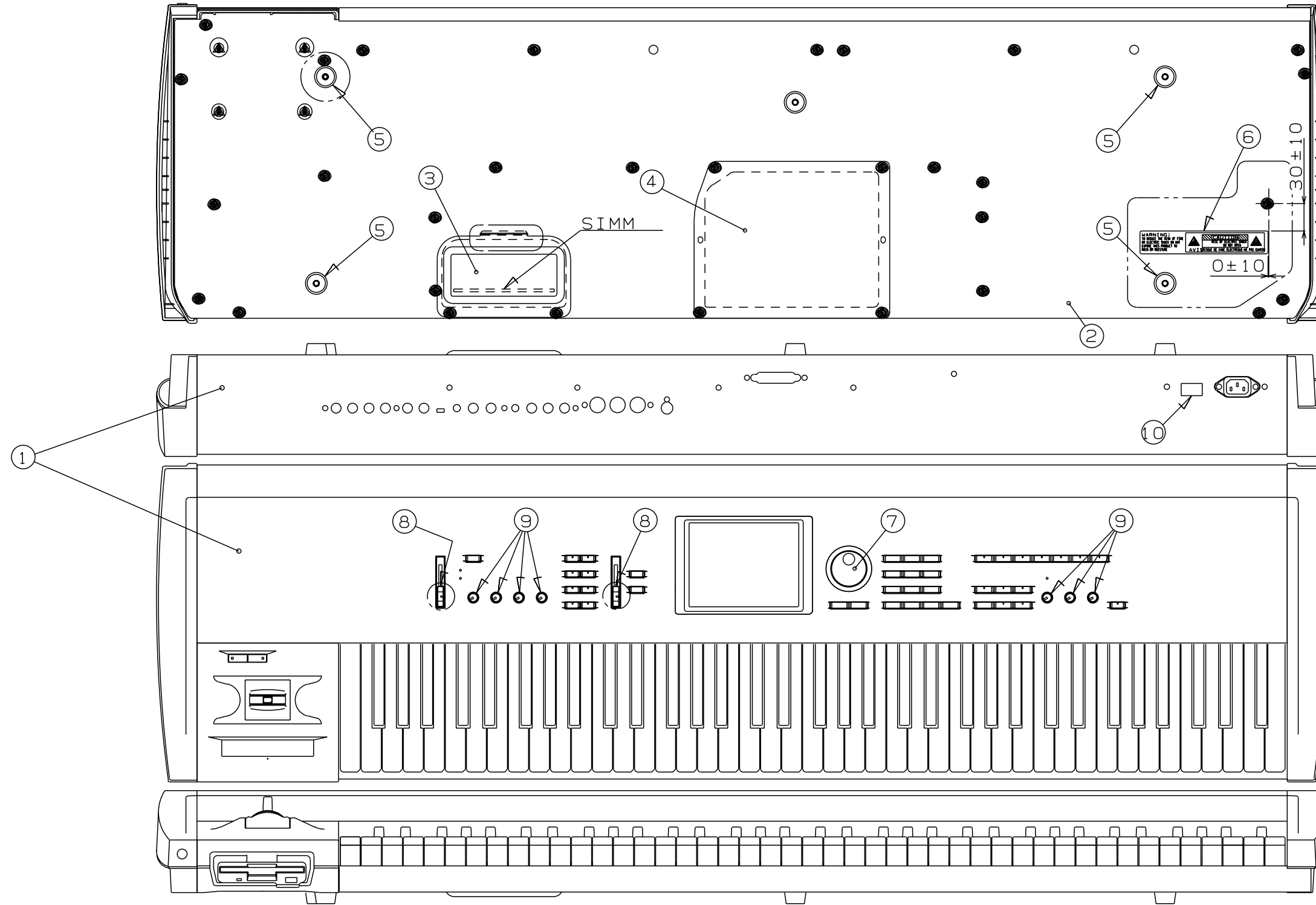
# DISASSEMBLY FOR TRITON proX (6/6)



NO.	PART CODE	PART NAME	Q' TY
1	641041538	X-8100 PANEL	1
2	645052812	X-8100 SIDE PANEL L	1
3	645052813	X-8100 SIDE PANEL R	1
4	646071100	X-610 ENCODER FRAME	1
5	646071400	SVR FRAME ASSY	2
6	620034900	2-LINKAGE KNOB A-1-GR	2
7	620034500	2-LINKAGE KNOB A-2-GR	5
8	620035000	2-LINKAGE KNOB B-1-GR	4
9	620034400	2-LINKAGE KNOB B-2-GR	6
10	620035200	4-LINKAGE KNOB A-1-LG	1
11	620035300	4-LINKAGE KNOB A-2-LG	4
12	620035100	4-LINKAGE KNOB B-1-LG	3
13	646070500	X-7100/7110 LCD HOOD	1
14	313005000	TOUCH PANEL LCD	1
15	001208500	PCB ASSY KLM-2085	1
16	001208600	PCB ASSY KLM-2086	1
17	641041534	X-7100/7110 LCD ANGLE	3
18	001209100	PCB ASSY KLM-2091	1
19	-----	PCB SPACER	2
20	-----	SPACER	2
21	002202090	POWER SUPPLY UNIT KLM-2090	1

▲	TP1 B	ZMC	3X20	2
●	BT B	ZMC	3X8	26
MARK		SCREWS		Q' TY

DISASSEMBLY FOR TRITON/pro (1/4)

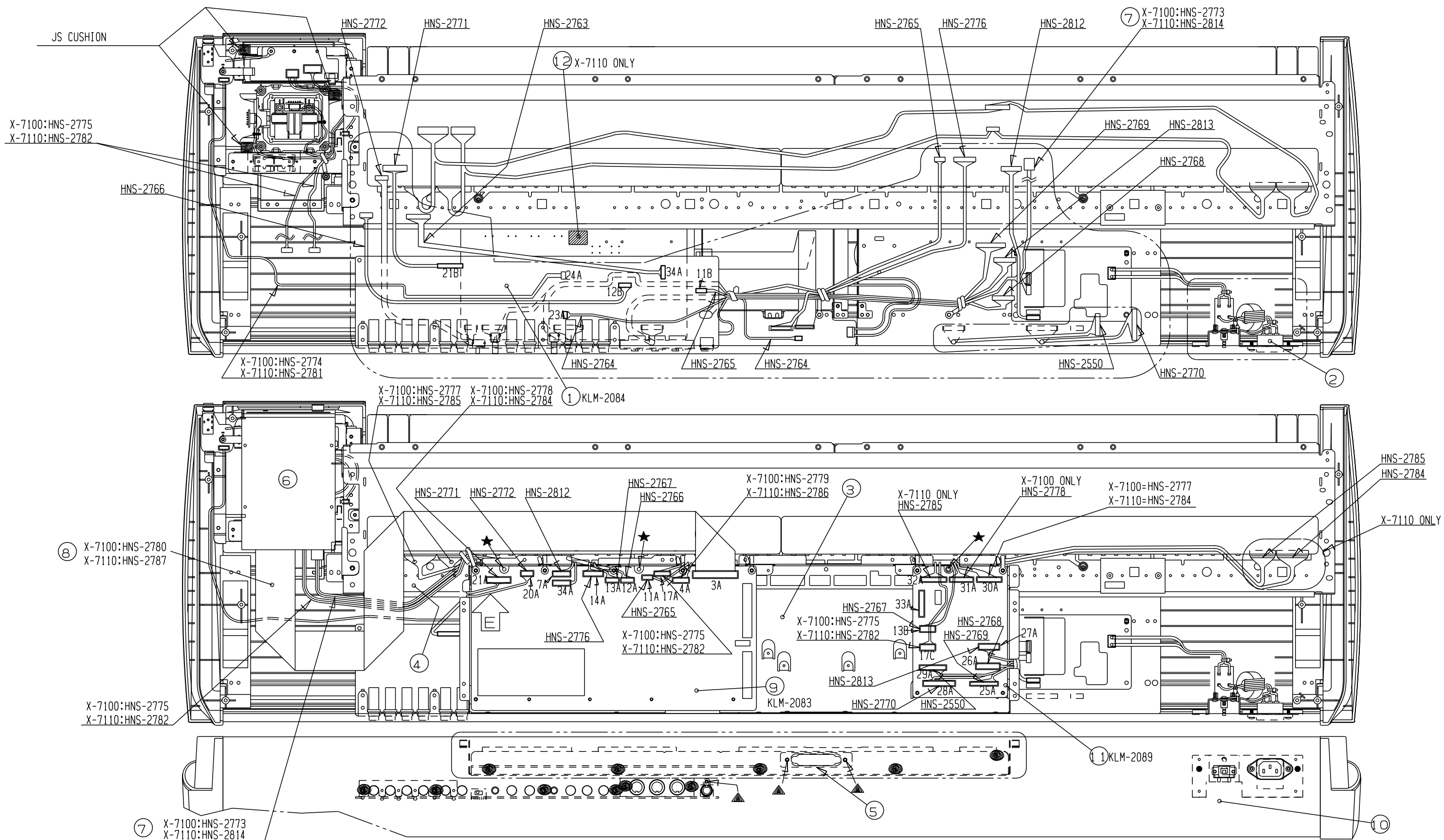


NO.	PART CODE	PART NAME	Q' TY
1	641041536	X-7100 PANEL FOR TRITON	1
	641041537	X-7110 PANEL FOR TRI-PRO	1
2	641041542	X-7100 BOTTOM COVER FOR TRITON	1
	641041543	X-7110 BOTTOM COVER FOR TRI-PRO	1
3	641041532	X-7100/7110 OP COVER 1	1
4	641041533	X-7100/7110 OP COVER 2	1
5	500018500	RUBBER FOOT FF-001	4
6	-----	SERVICE MAN CAUTION SEAL	1
7	620034700	X-610 ENCODER KNOB	1
8	620034600	X-631 SVR KNOB	2
9	620035900	KNOB P422-9PF	7
10	620024600	X-952 POWER SW KNOB	1

▲	FF	B	ZMC	3X6	4
●	BT	B	ZMC	4X10	31
MARK				SCREWS	Q' TY



# DISASSEMBLY FOR TRITON/pro (2/4)

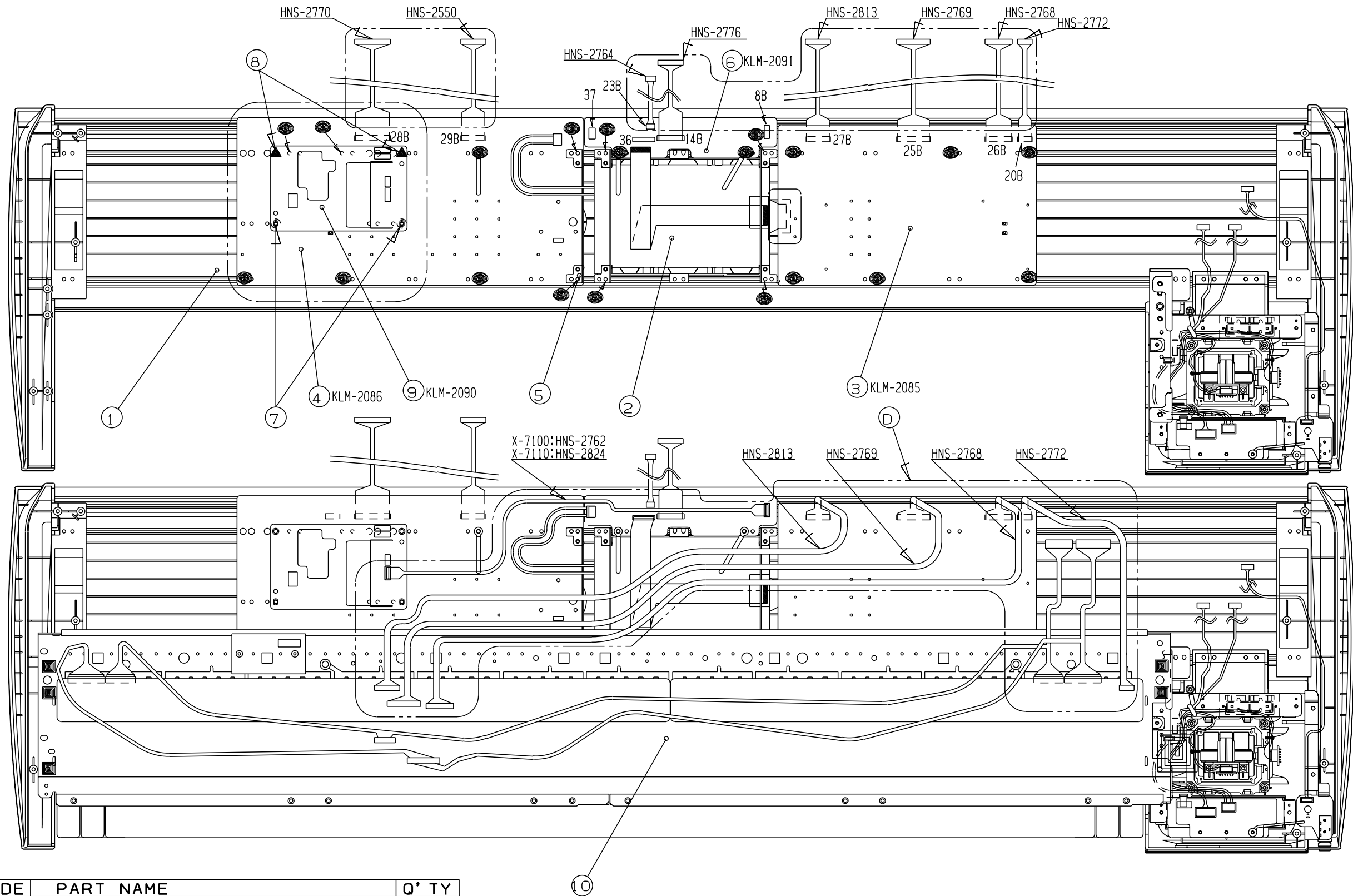


NO.	PART CODE	PART NAME	Q' TY
1	001208400	PCB ASSY KLM-2084	1
2	540020200	INLET SOCKET SS-7B	1
3	641041528	X-7100/7110 PCB BOX	1
4	420004800	KEYBOARD FS-61 KG2	1
	420004500	KEYBOARD FS-E76	1
5	641041530	OP PLATE	1
6	641041530	FDD DF354H912C	1
7	475002773	HARNESS HNS-2773 FOR TRITON	1
	475002814	HARNESS HNS-2814 FOR TRI-PRO	1

NO.	PART CODE	PART NAME	Q' TY
8	475002780	HARNESS HNS-2780 FOR TRITON	1
	475002787	HARNESS HNS-2787 FOR TRI-PRO	1
9	001208300	PCB ASSY KLM-2083	1
10	641041536	X-7100 PANEL FOR TRITON	1
	641041537	X-7110 PANEL FOR TRI-PRO	1
11	001208900	PCB ASSY KLM-2089	1
12	-----	X-7110 SUPPORT RUBBER	1

★	BT	B	ZMC	3X8	3
▲	FE	B	UC	3X8	3
●	BT	B	UC	3X8	13
MARK				SCREWS	Q' TY

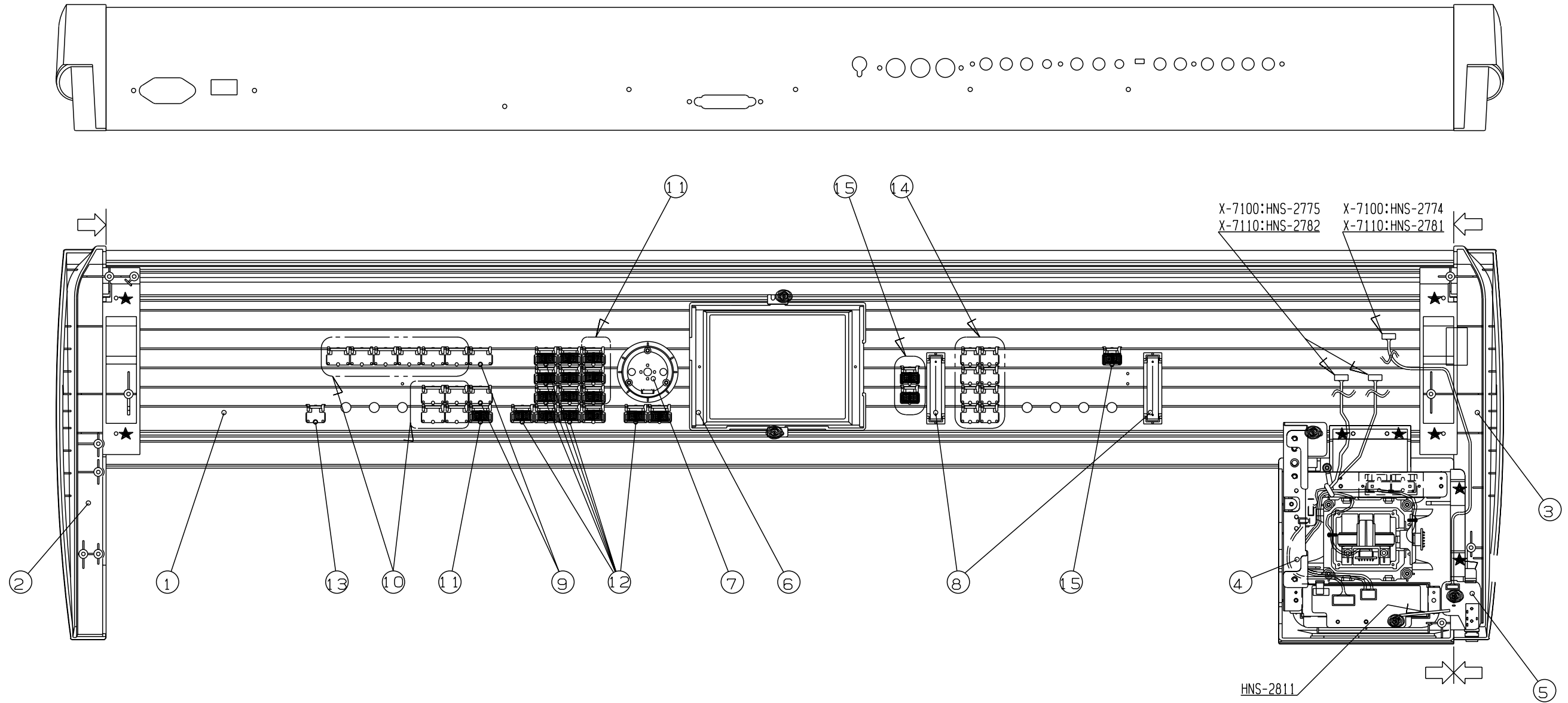
# DISASSEMBLY FOR TRITON/pro (3/4)



NO.	PART CODE	PART NAME	Q' TY
1	641041536	X-7100 PANEL FOR TRITON	1
	641041537	X-7110 PANEL FOR TRITON-PRO	1
2	313005000	TOUCH PANEL LCD	1
3	001208500	PCB ASSY KLM-2085	1
4	001208600	PCB ASSY KLM-2086	1
5	641041534	X-7100/7110 LCD ANGLE	3
6	001209100	PCB ASSY KLM-2091	1
7	-----	PCB SPACER	2
8	-----	SPACER	2
9	002202090	POWER SUPPLY UNIT KLM-2090	1
10	420004800	KEYBOARD FS-61 KG2	1
	420004500	KEYBOARD FS-E76	1

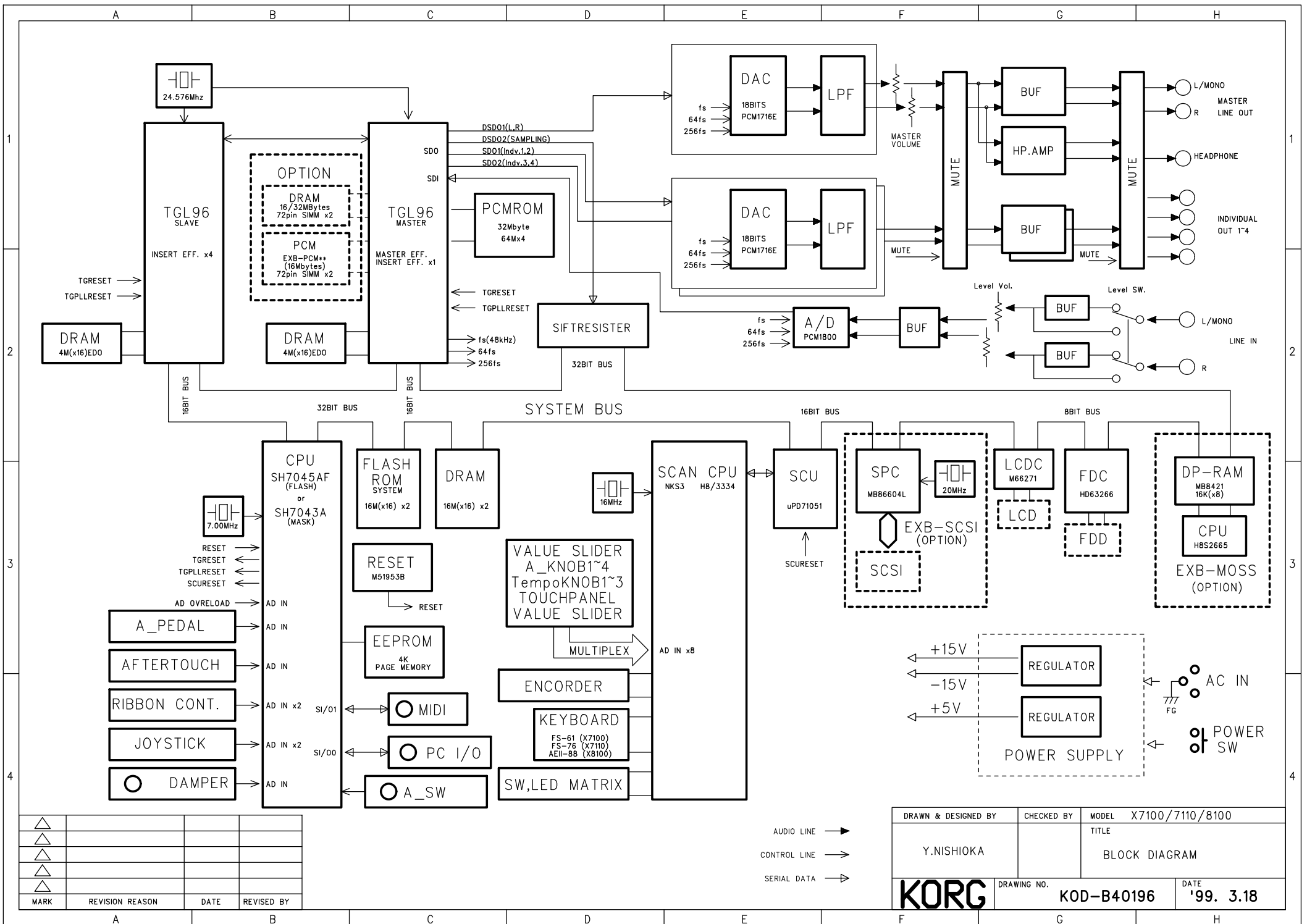
■	BT	B	ZMC	4X10	6
▲	TP1	B	ZMC	3X20	2
●	BT	B	ZMC	3X8	20
MARK				SCREWS	Q' TY

DISASSEMBLY FOR TRITON/pro (4/4)



NO.	PART CODE	PART NAME	Q' TY
1	641041536	X-7100 PANEL FOR TRITON	1
	641041537	X-7110 PANEL FOR TRI-PRO	1
2	646070300	X-7100/7110 SIDE PLATE R	1
3	646070200	X-7100/7110 SIDE PLATE L	1
4	646070400	X-7100/7110 JS PANEL	1
5	-----	HEADPHONE PCB	1
6	646070500	X-7100/7110 LCD HOOD	1
7	646071100	X-610 ENCODER FRAME	1
8	646071400	SVR FRAME ASSY	2
9	620034900	2-LINKAGE KNOB A-1-GR	2
10	620034500	2-LINKAGE KNOB A-2-GR	5
11	620035000	2-LINKAGE KNOB B-1-GR	4
12	620034400	2-LINKAGE KNOB B-2-GR	6
13	620035200	4-LINKAGE KNOB A-1-LG	1
14	620035300	4-LINKAGE KNOB A-2-LG	4
15	620035100	4-LINKAGE KNOB B-1-LG	3

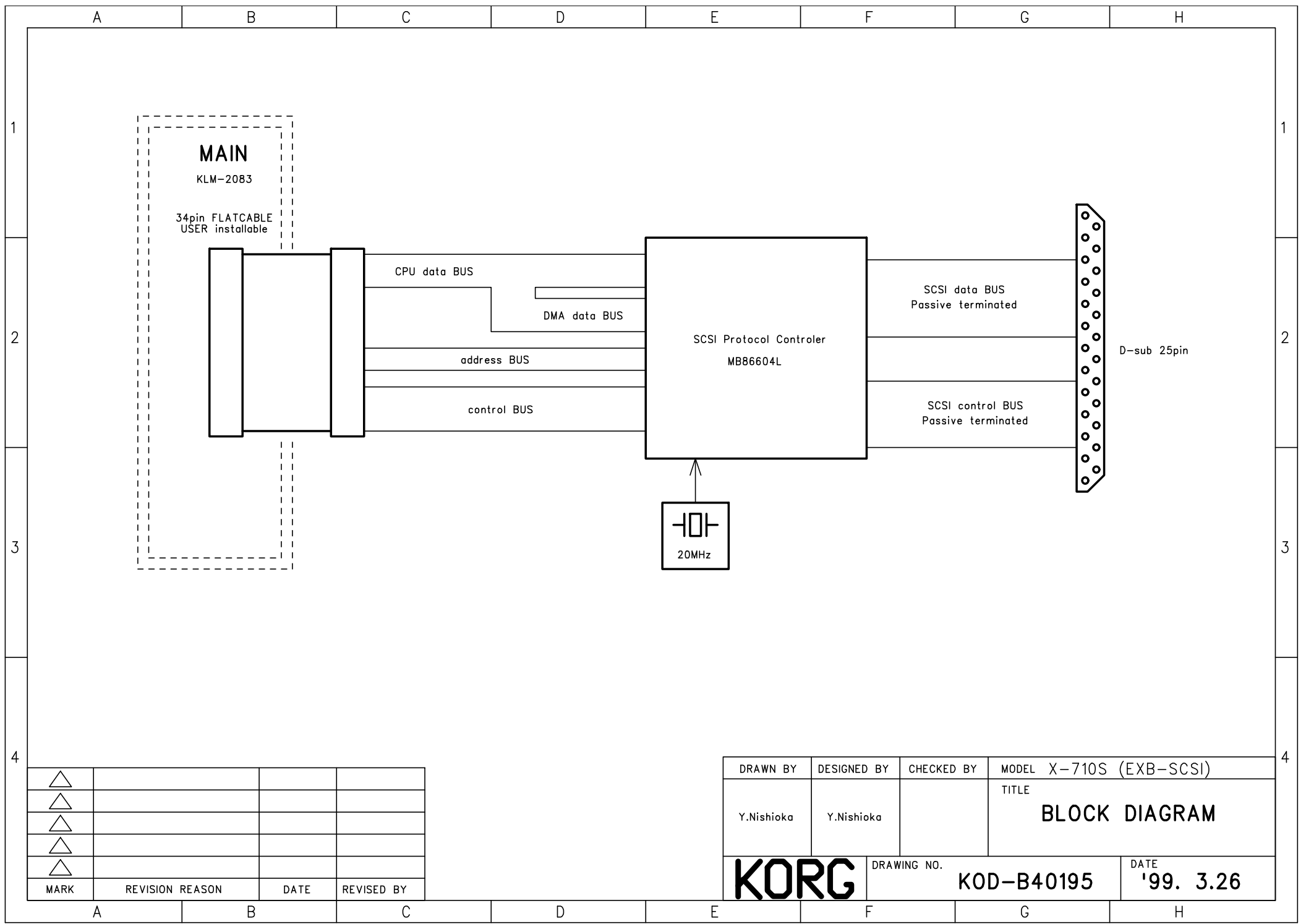
★	BT	B	ZMC	3X10	8
●	BT	B	ZMC	3X8	5
MARK				SCREWS	Q' TY



△			
△			
△			
△			
△			
MARK	REVISION REASON	DATE	REVISED BY

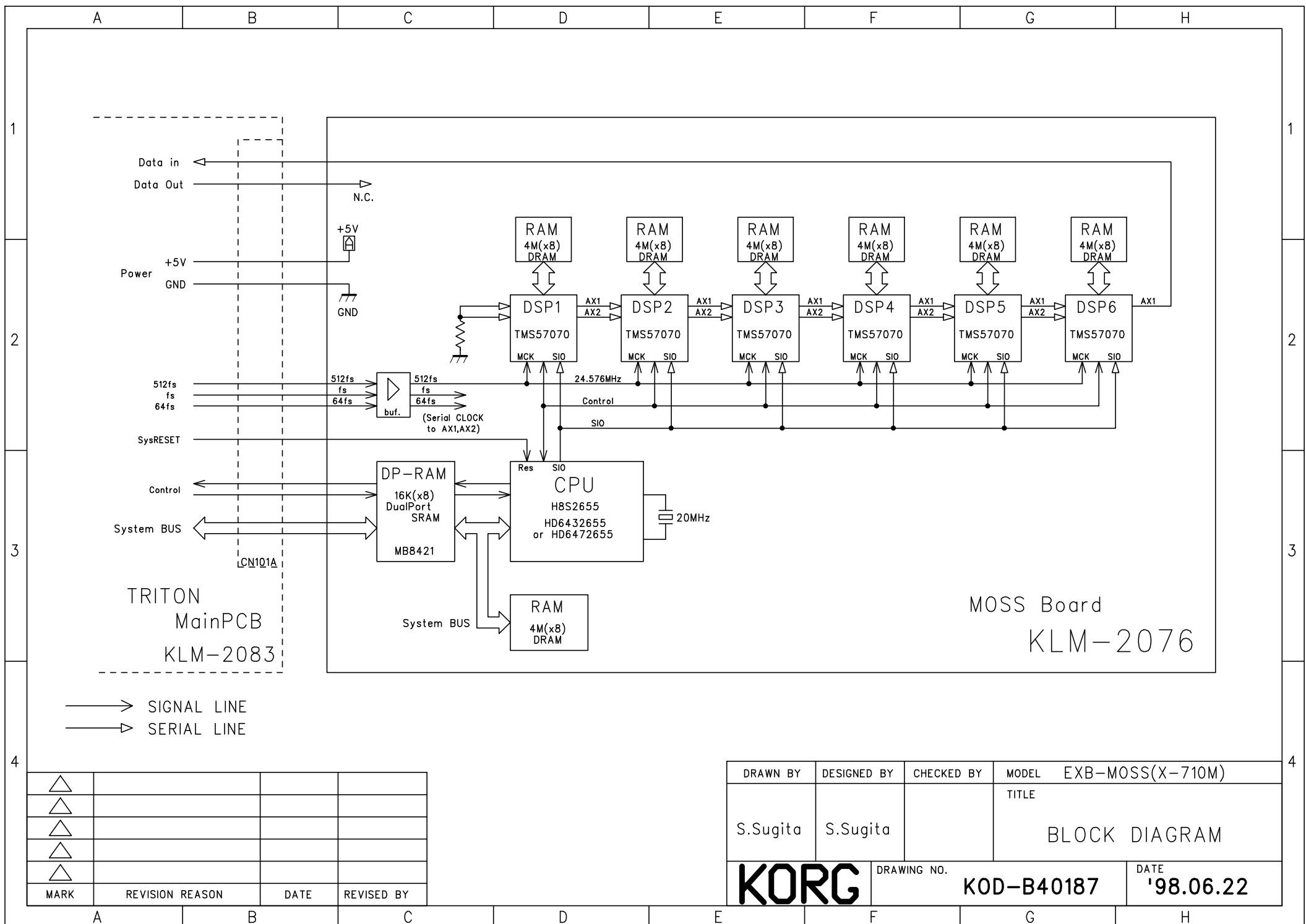
AUDIO LINE →  
CONTROL LINE →  
SERIAL DATA →

DRAWN & DESIGNED BY	CHECKED BY	MODEL	X7100/7110/8100
Y.NISHIOKA		TITLE	BLOCK DIAGRAM
<b>KORG</b>		DRAWING NO.	KOD-B40196
		DATE	'99. 3.18



MARK	REVISION REASON	DATE	REVISED BY
△			
△			
△			
△			
△			

DRAWN BY	DESIGNED BY	CHECKED BY	MODEL X-710S (EXB-SCSI)
Y.Nishioka	Y.Nishioka		TITLE
			<b>BLOCK DIAGRAM</b>
<b>KORG</b>		DRAWING NO.	DATE
		<b>KOD-B40195</b>	<b>'99. 3.26</b>



TRITON  
MainPCB  
KLM-2083

MOSS Board  
KLM-2076

—> SIGNAL LINE  
—> SERIAL LINE

△			
△			
△			
△			
△			
MARK	REVISION REASON	DATE	REVISED BY

DRAWN BY	DESIGNED BY	CHECKED BY	MODEL	EXB-MOSS(X-710M)
			TITLE	
S.Sugita	S.Sugita		BLOCK DIAGRAM	
<b>KORG</b>		DRAWING NO.	KOD-B40187	DATE '98.06.22

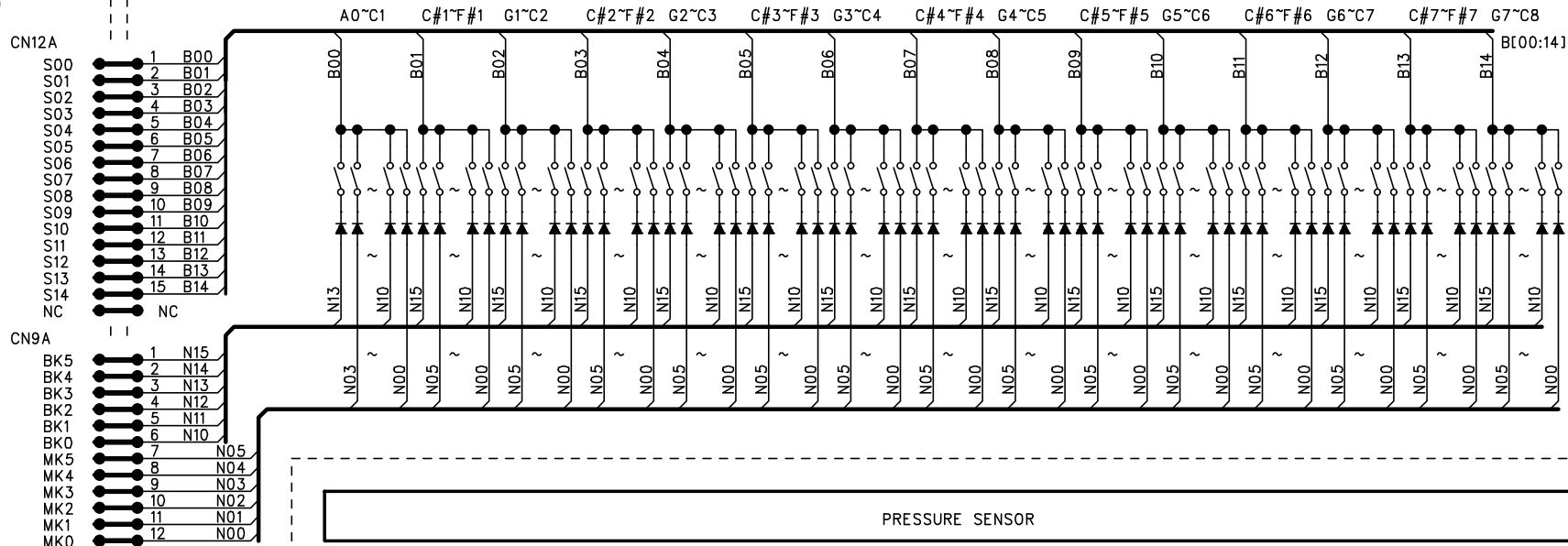
A B C D E F G H

4

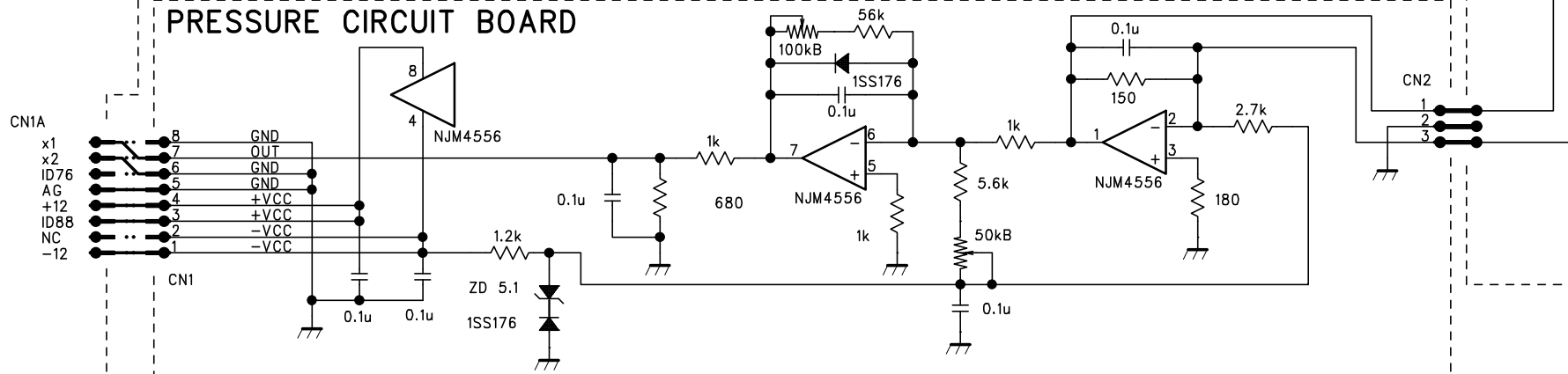
4

MAIN PCB  
KLM-1820

KEYBOARD AE2-88KG2



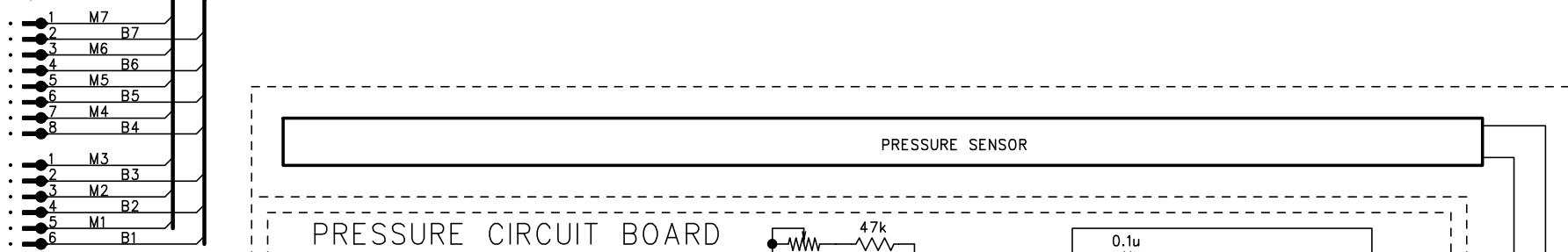
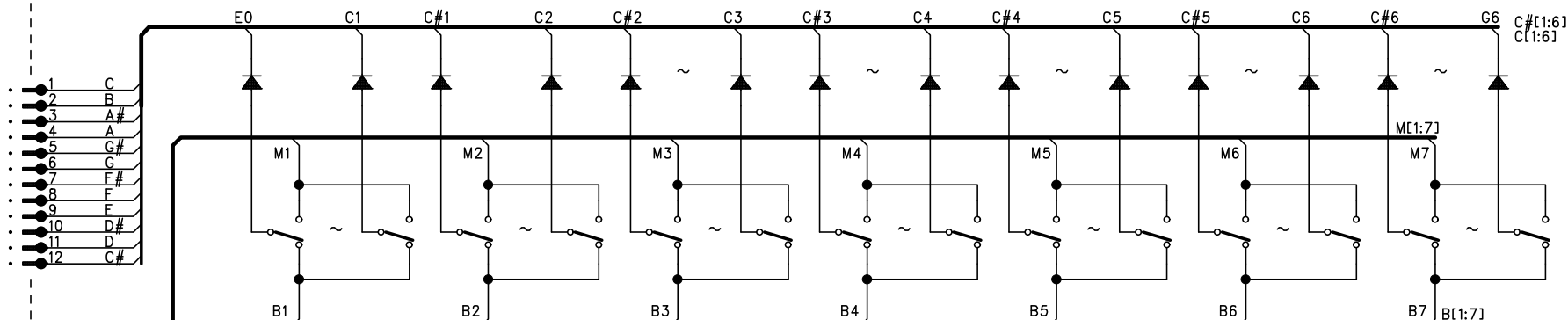
PRESSURE CIRCUIT BOARD



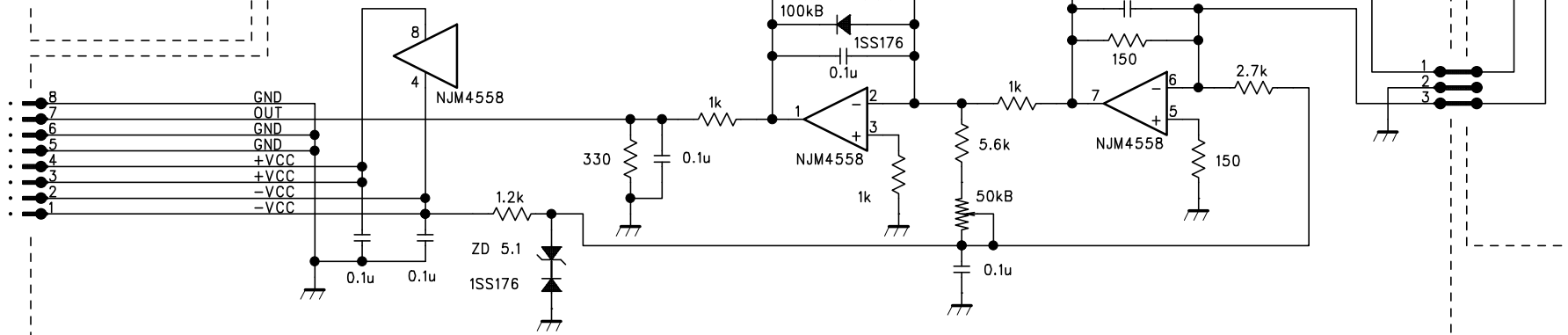
△			
△			
△			
△			
MARK	REVISION REASON	DATE	REVISED BY

DRAWN BY	DESIGNED BY	CHECKED BY	CHECKED BY	MODEL	Trinity,Trinity Plus(X-311/311S)
J.Mizuno	YAMAHA			TITLE	AE2-88KG2 KEYBOARD/AFTER PCB CIRCUIT DIAGRAM
<b>KORG</b>		DRAWING NO.	KOD-A40344		DATE '96. 5.16

# KEYBOARD FS-E76



## PRESSURE CIRCUIT BOARD

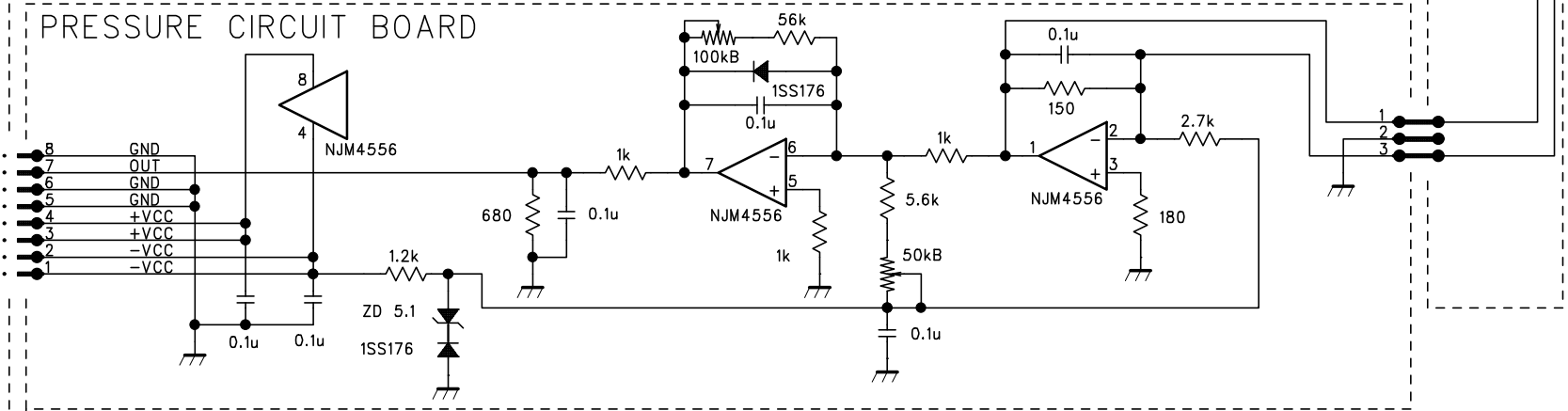
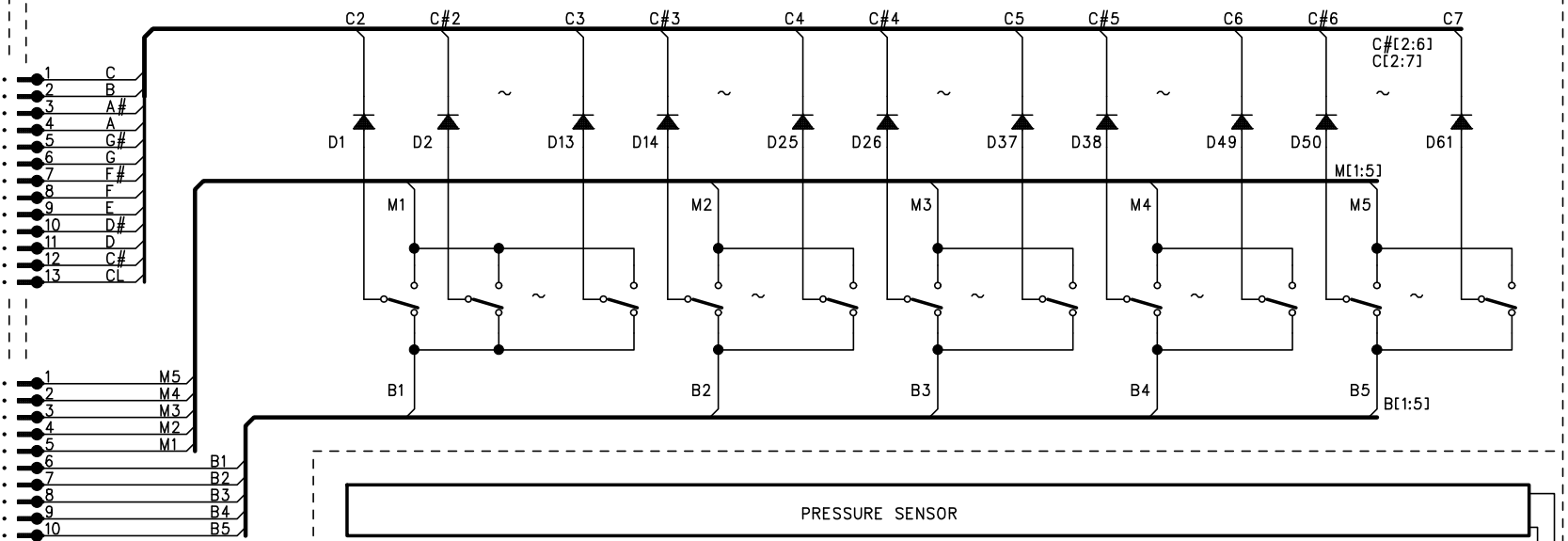


△				
△				
△				
△				
MARK	REVISION REASON	DATE	REVISED BY	APPROVED BY

DRAWN BY	DESIGNED BY	CHECKED BY	CHECKED BY	MODEL	COMMON DIAGRAM
Y.Nishioka	YAMAHA			TITLE	FS-E76
				KEYBOARD/AFTER PCB CIRCUIT DIAGRAM	
<b>KORG</b>			DRAWING NO.	KOD-A40432	DATE '99. 3.15

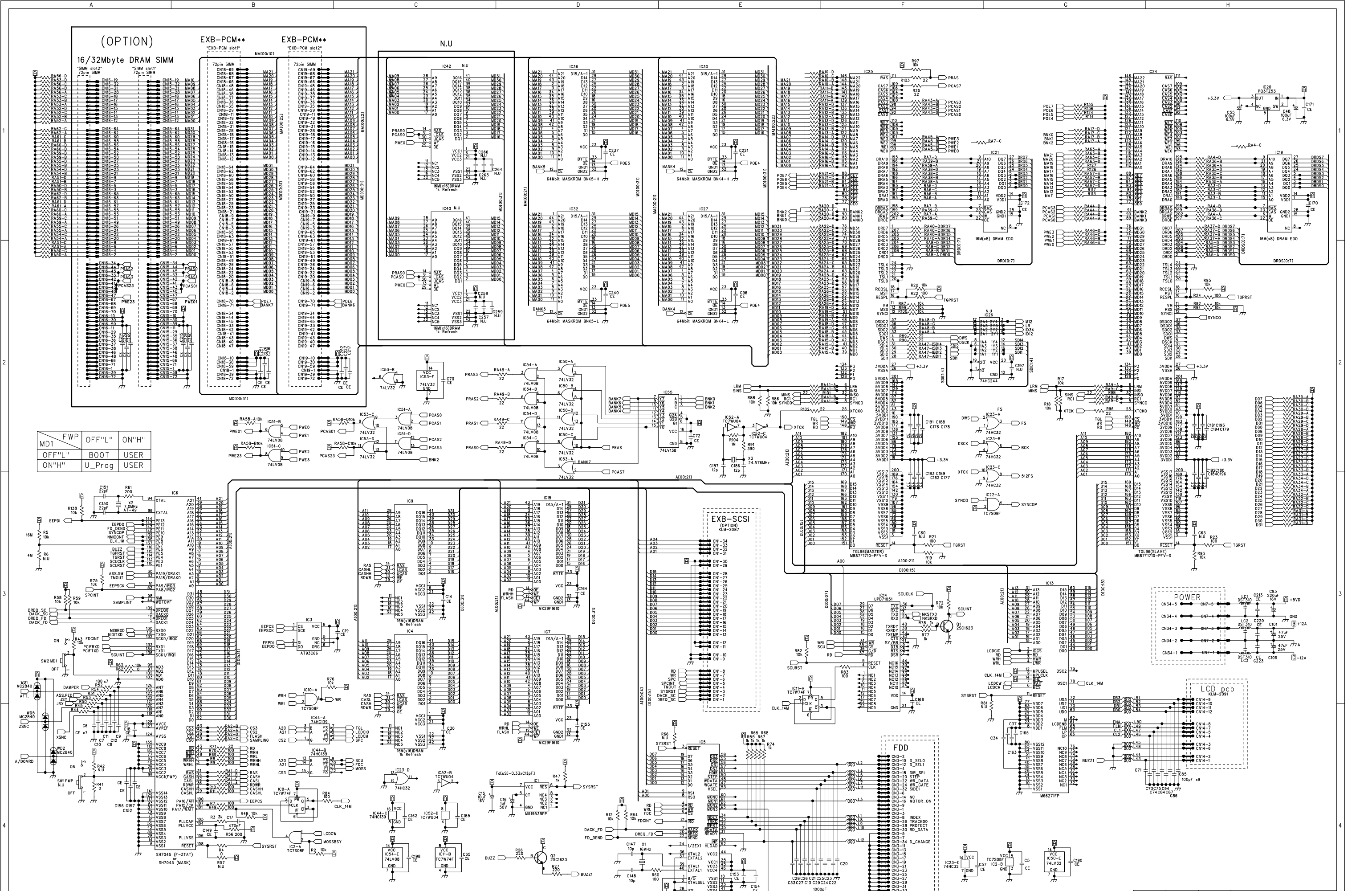


# KEYBOARD FS-61KG2



△			
△			
△			
△			
MARK	REVISION REASON	DATE	REVISED BY

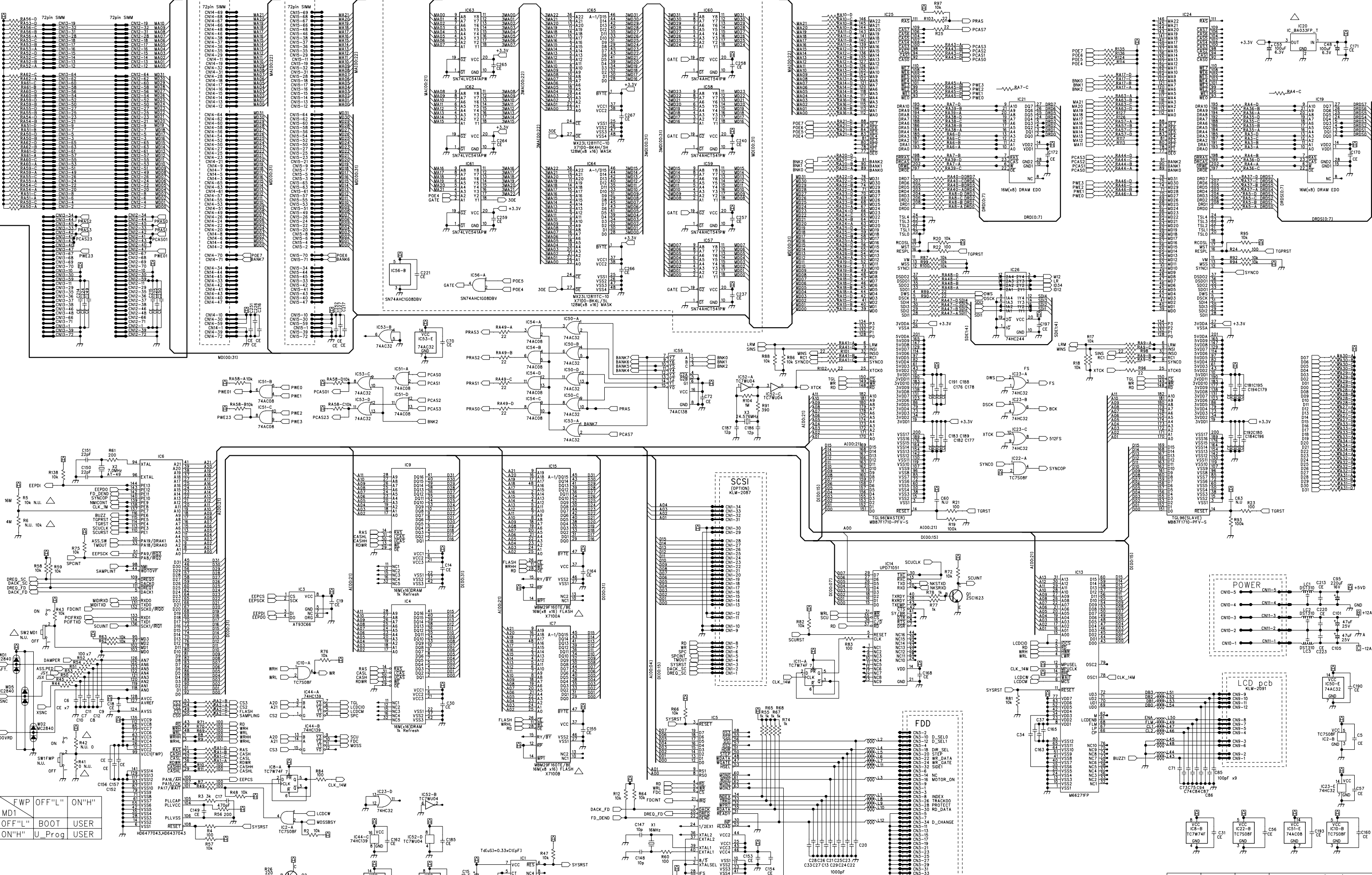
DRAWN BY	DESIGNED BY	CHECKED BY	CHECKED BY	MODEL	COMMON DIAGRAM
N.MIYATA	YAMAHA			TITLE	FS-61KG2
				KEYBOARD/AFTER PCB CIRCUIT DIAGRAM	
<b>KORG</b>		DRAWING NO.	KOD-A40408		DATE
				'97.6.23	



MD1	FWP	OFF"L"	ON"H"
		BOOT	USER
		U_Prog	USER

16Mbyte PCM (OPTION)

32Mbyte SIMM (OPTION)



FWP OFF "L" ON "H"  
MD1 OFF "L" BOOT USER  
ON "H" U\_Prog USER

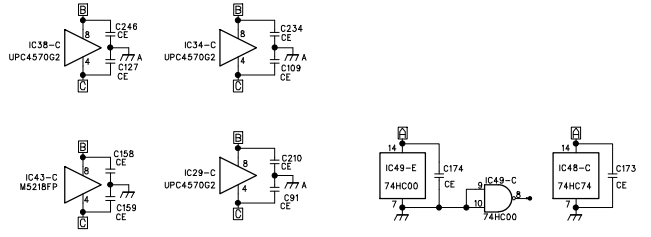
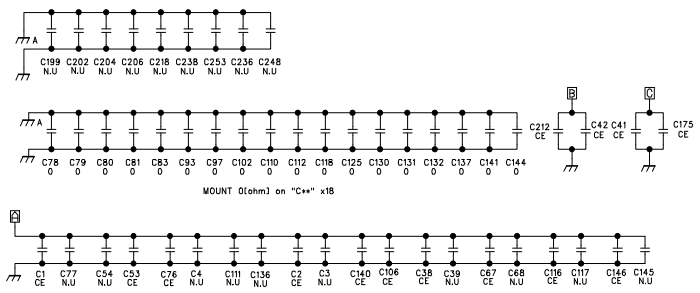
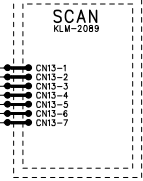
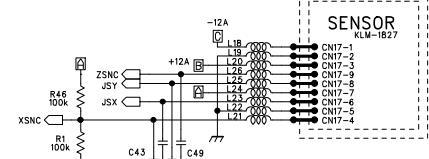
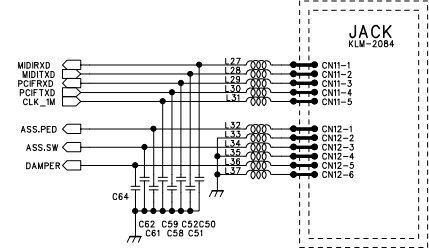
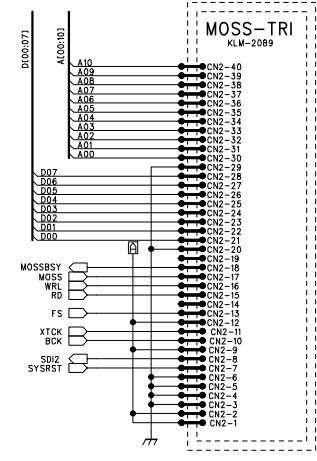
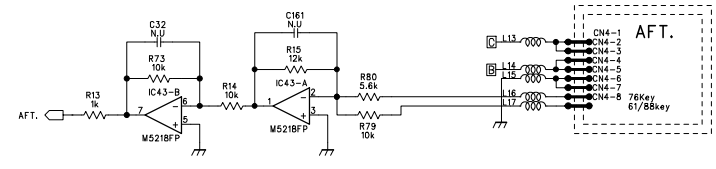
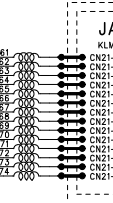
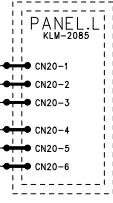
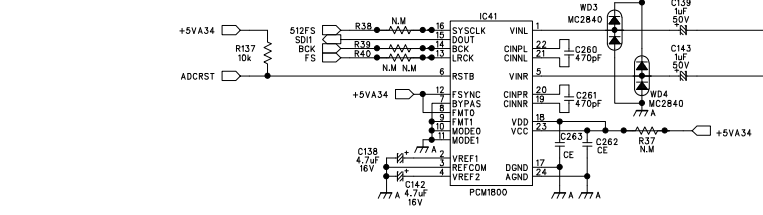
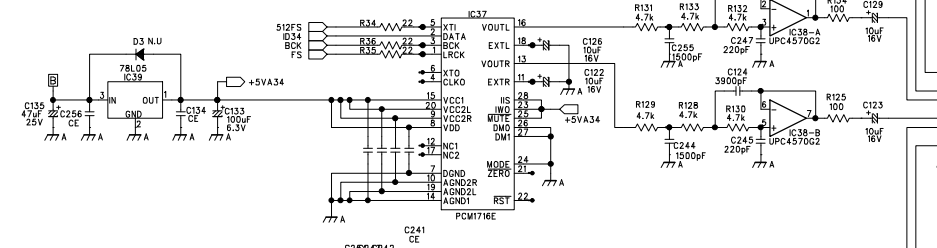
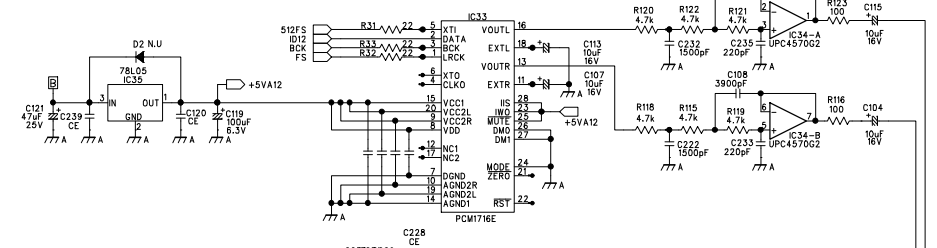
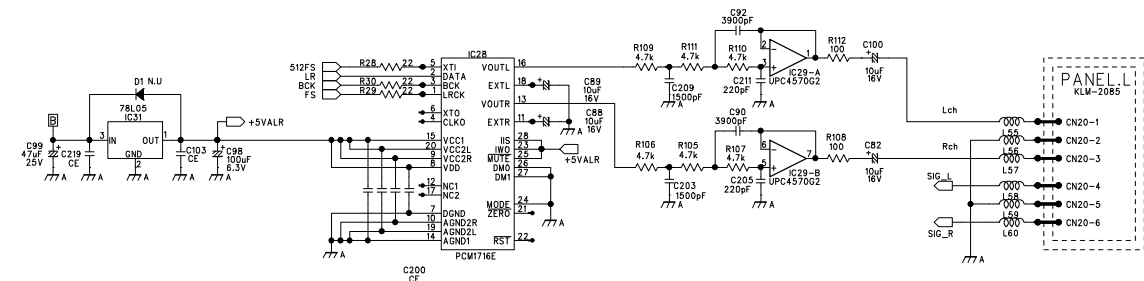
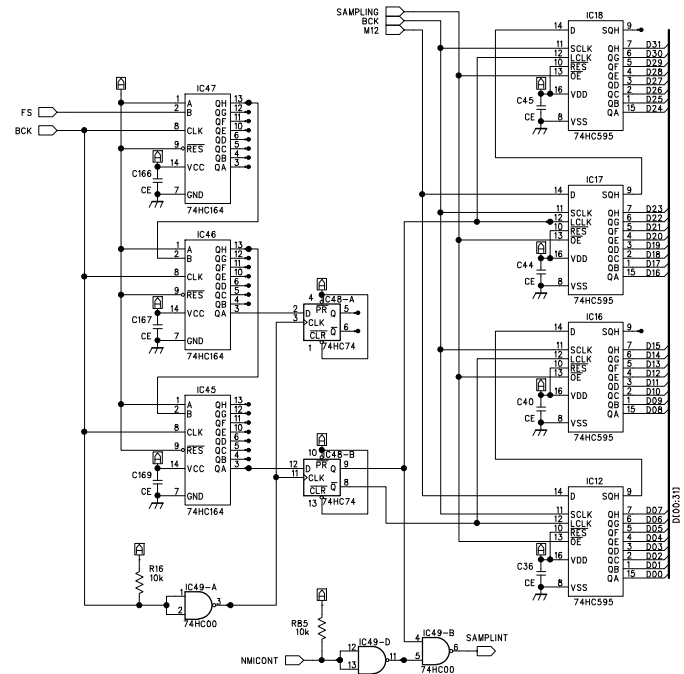
DRAWN BY	DESIGNED BY	CHECKED BY	MODEL	X-7100/7110/8100
Y.Nishiko	Y.Nishiko		TITLE	KLM-2083 1
S.Nomura				MAIN PCB 1/2
DRAWING NO.			KOD-A30430	DATE
KORG				'00.06.28

1

2

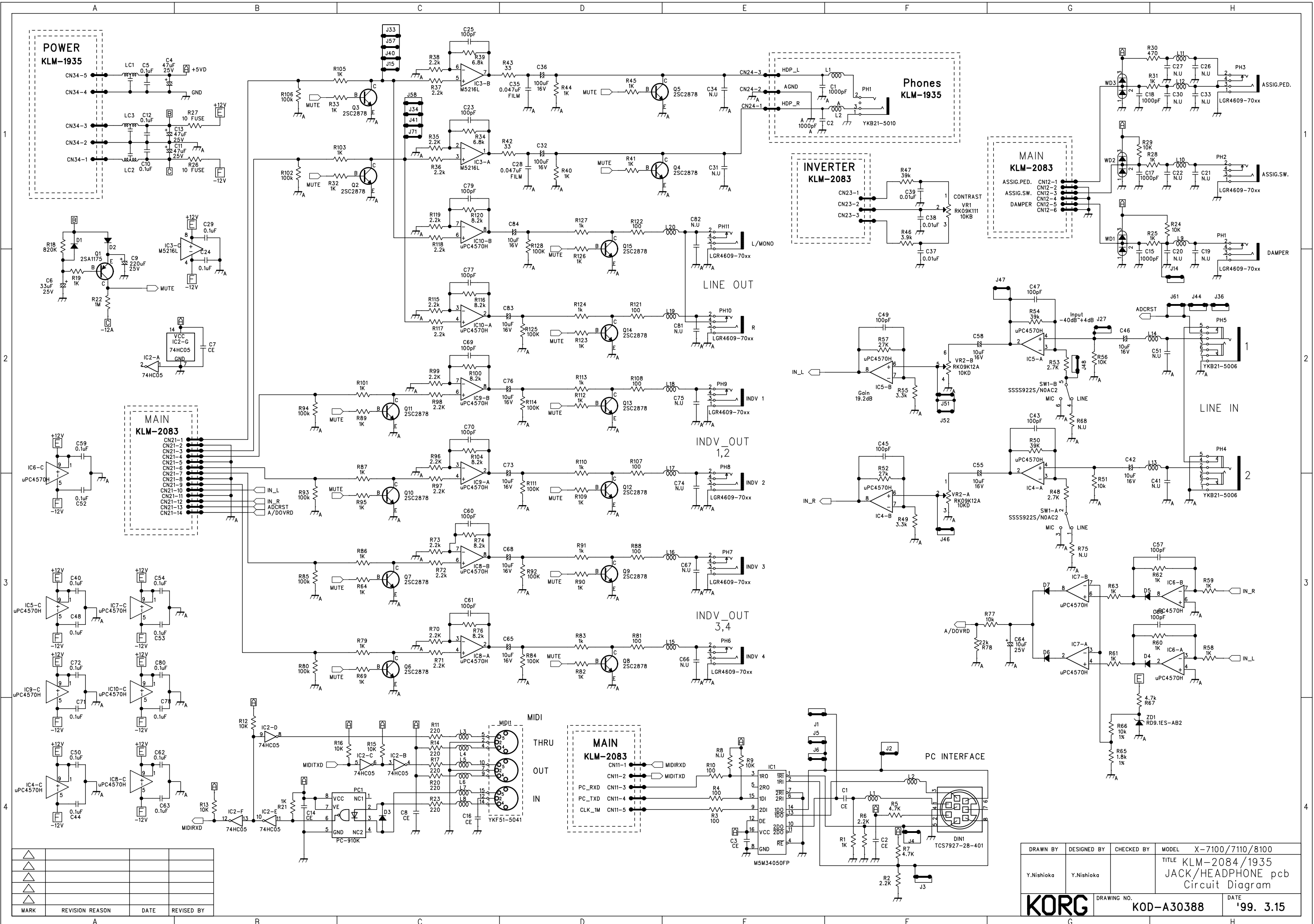
3

4



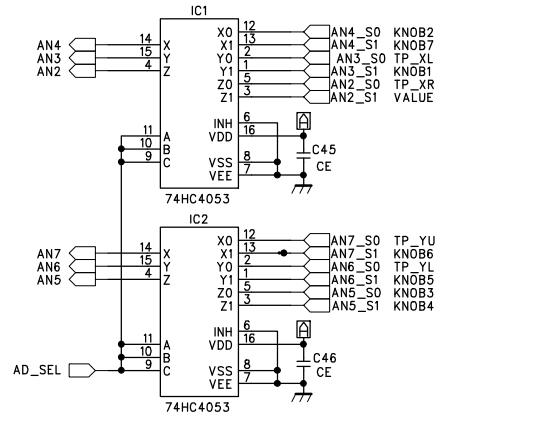
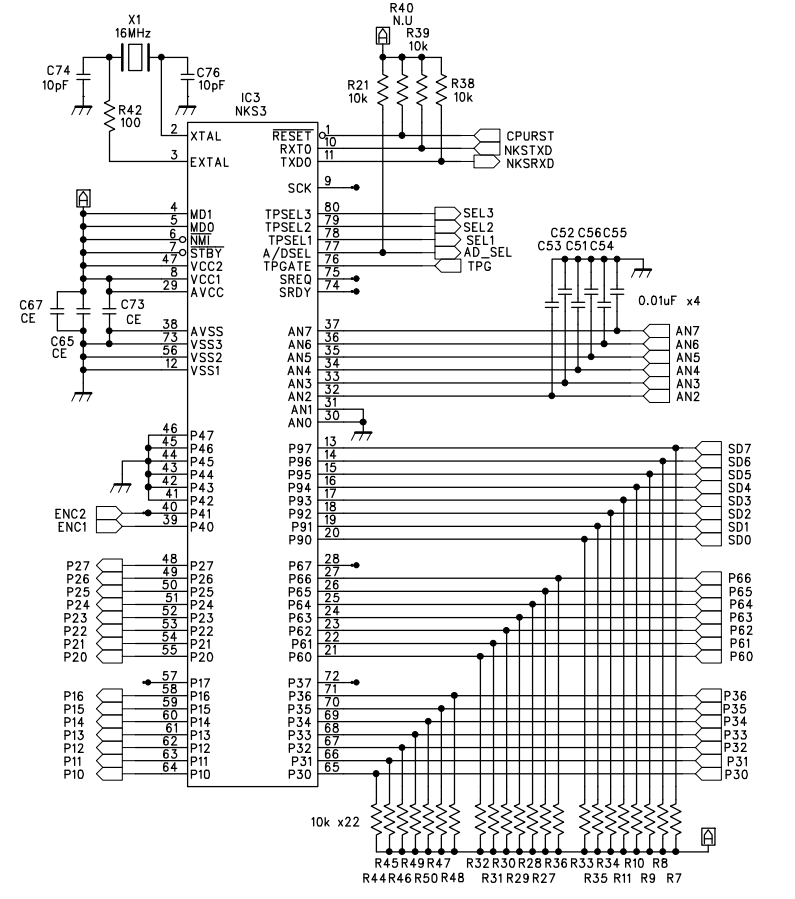
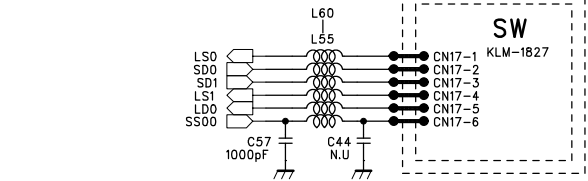
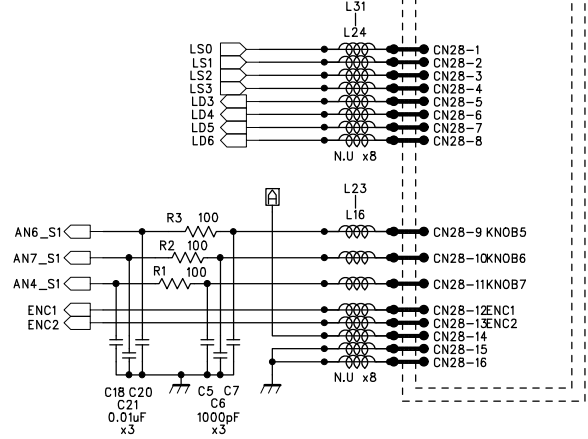
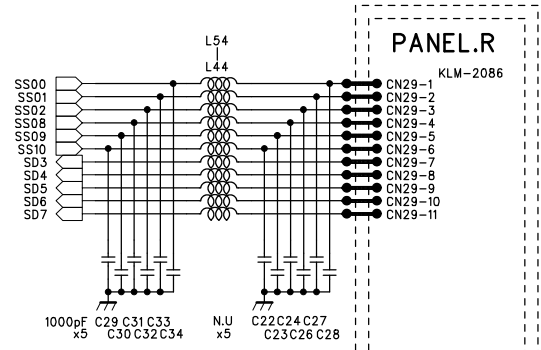
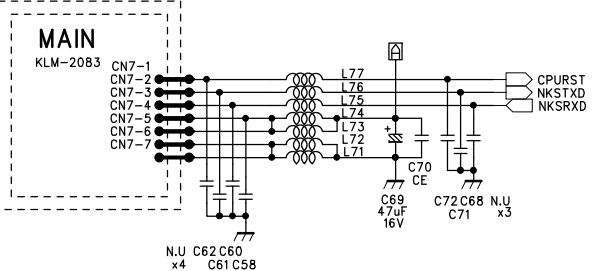
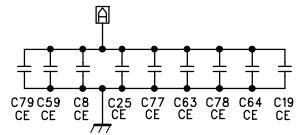
MARK	REVISION REASON	DATE	REVISED BY	APPROVED BY

DRAWN BY	DESIGNED	CHECKED	MODEL	X-7100/7110/8100
Y.Nishitaka	Y.Nishitaka		TITLE	KLM-2083 MAIN pcb Circuit Diagram 2/2
KORG			DRAWING NO.	KOD-A20236
			DATE	'99. 3.17

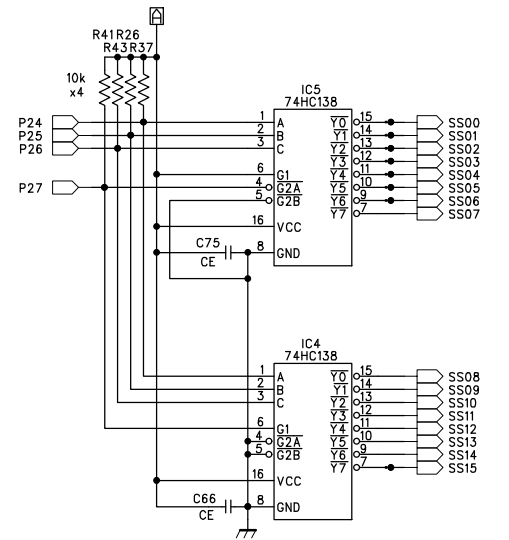
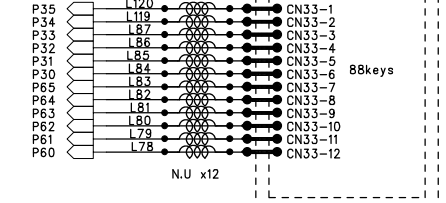
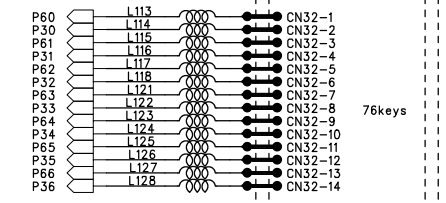
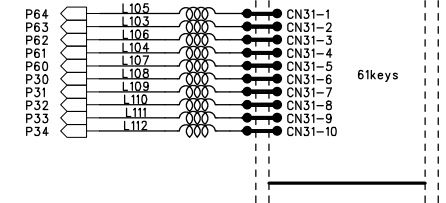
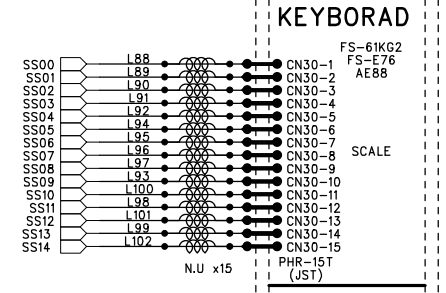
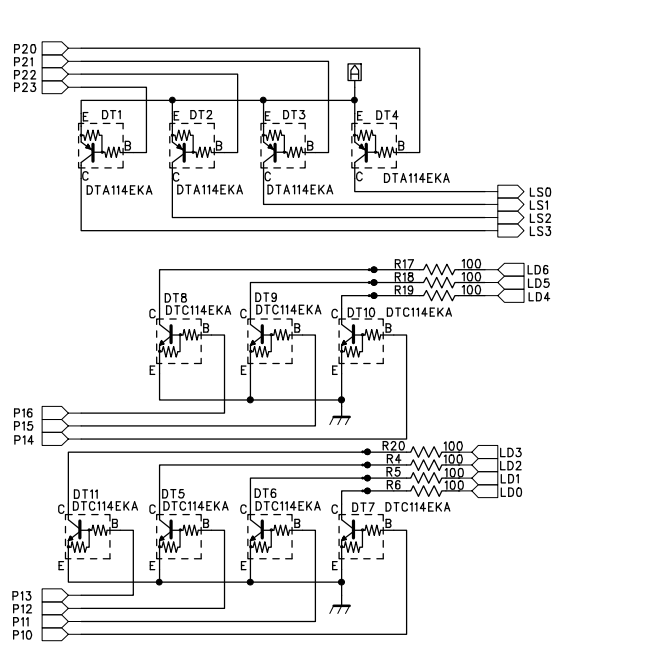
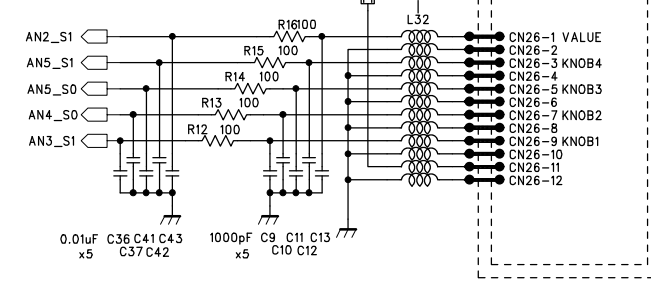


MARK	REVISION	REASON	DATE	REVISED BY

DRAWN BY	DESIGNED BY	CHECKED BY	MODEL	X-7100/7110/8100
Y.Nishioka	Y.Nishioka		TITLE	KLM-2084/1935 JACK/HEADPHONE pcb Circuit Diagram
KORG			DRAWING NO.	KOD-A30388
			DATE	'99. 3.15

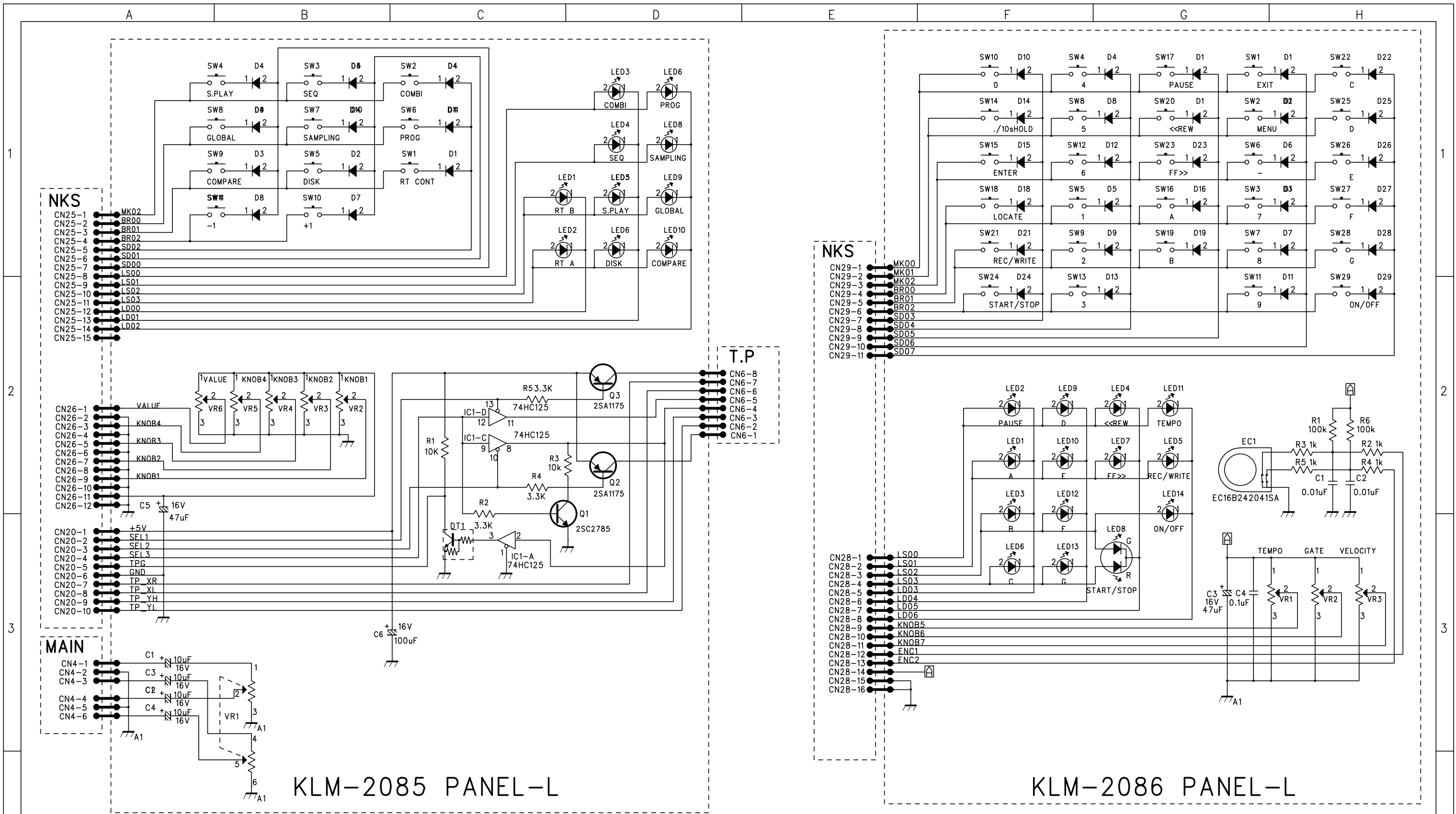


AD_SEL:0	AD_SEL:1
AN0	GND
AN1	GND
AN2	TP_XR
AN3	TP_XL
AN4	KNOB2
AN5	KNOB3
AN6	TP_YL
AN7	TP_YU



MARK	REVISION REASON	DATE	REVISED BY	APPROVED BY

DRAWN BY	DESIGNED BY	CHECKED BY	MODEL	X7100/7110/8100
Y.Nishioka	Y.Nishioka		TITLE	KLM-2089 SCAN pcb Circuit Diagram
KORG			DRAWING NO.	KOD-A30390
			DATE	'99. 3.15



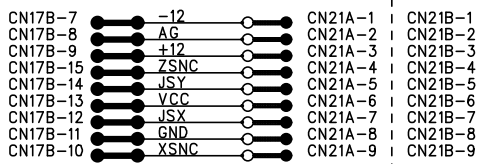
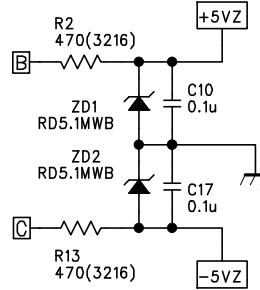
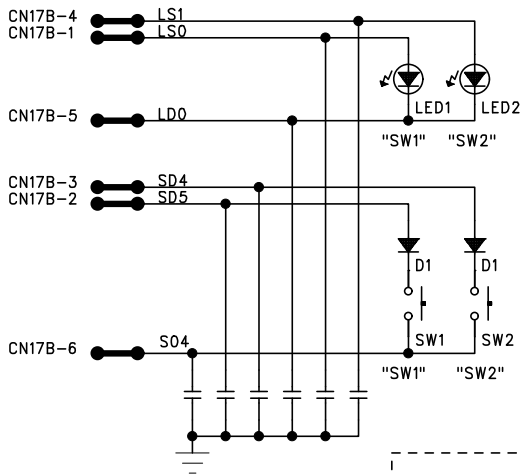
KLM-2085 PANEL-L

KLM-2086 PANEL-L

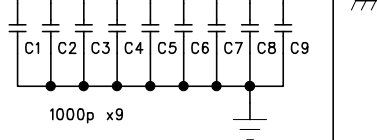
△			
△			
△			
△			
△			
MARK	REVISION REASON	DATE	REVISED BY

DRAWN BY	DESIGNED BY	CHECKED BY	MODEL	X-7100/7110
Y.Akashi	Y.Akashi		TITLE	PANEL-L&R KLM-2085/2086
<b>KORG</b>		DRAWING NO.	KOD-A30389	
		DATE	'99. 3.15	

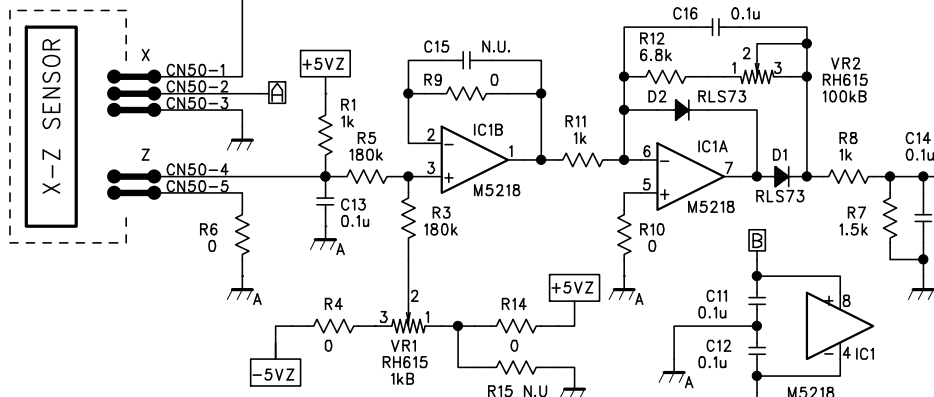
### KLM-1827



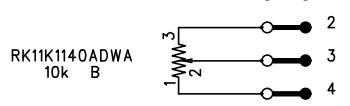
BOARD IN HARNESS  
HNS-2197



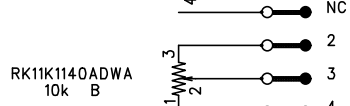
### KLM-1828



### KLM-1511

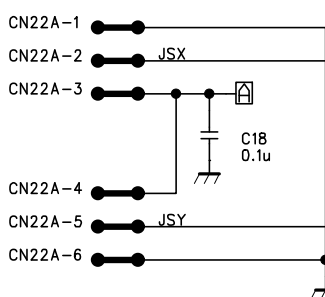


### JOYSTICK



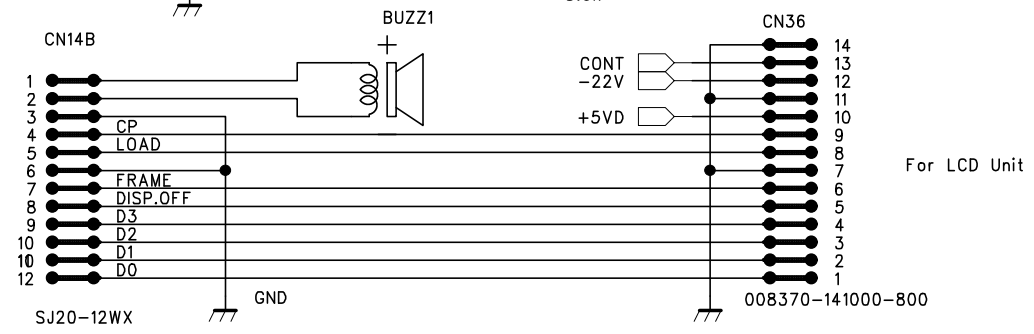
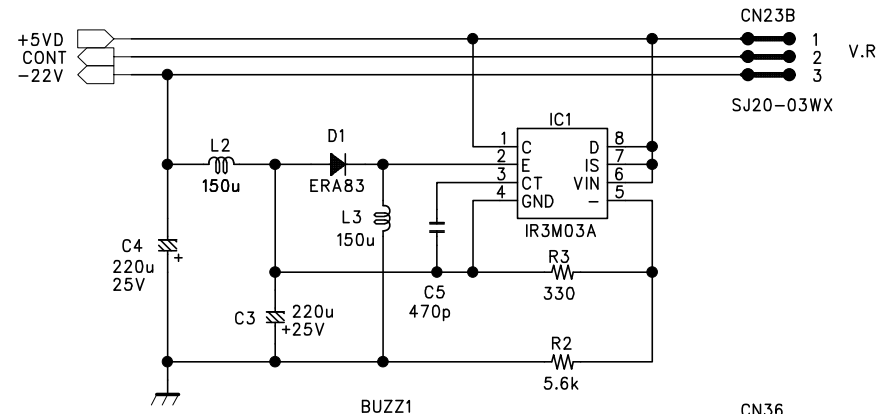
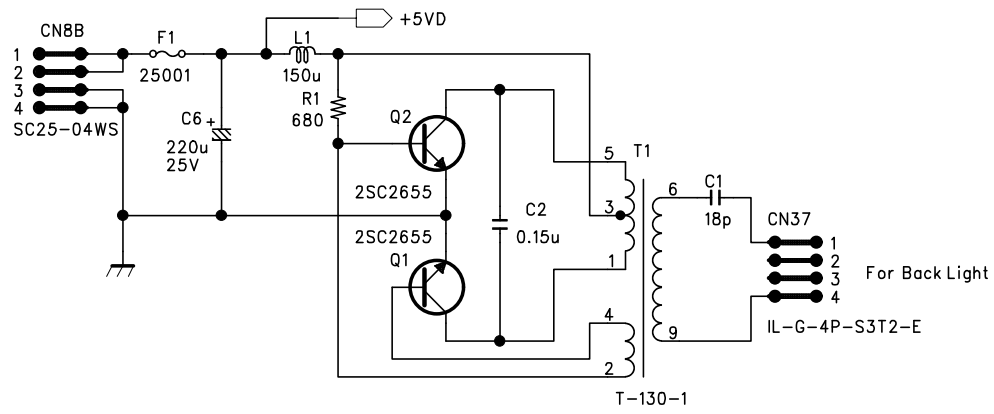
### KLM-1512

BOARD IN HARNESS  
HNS-2198



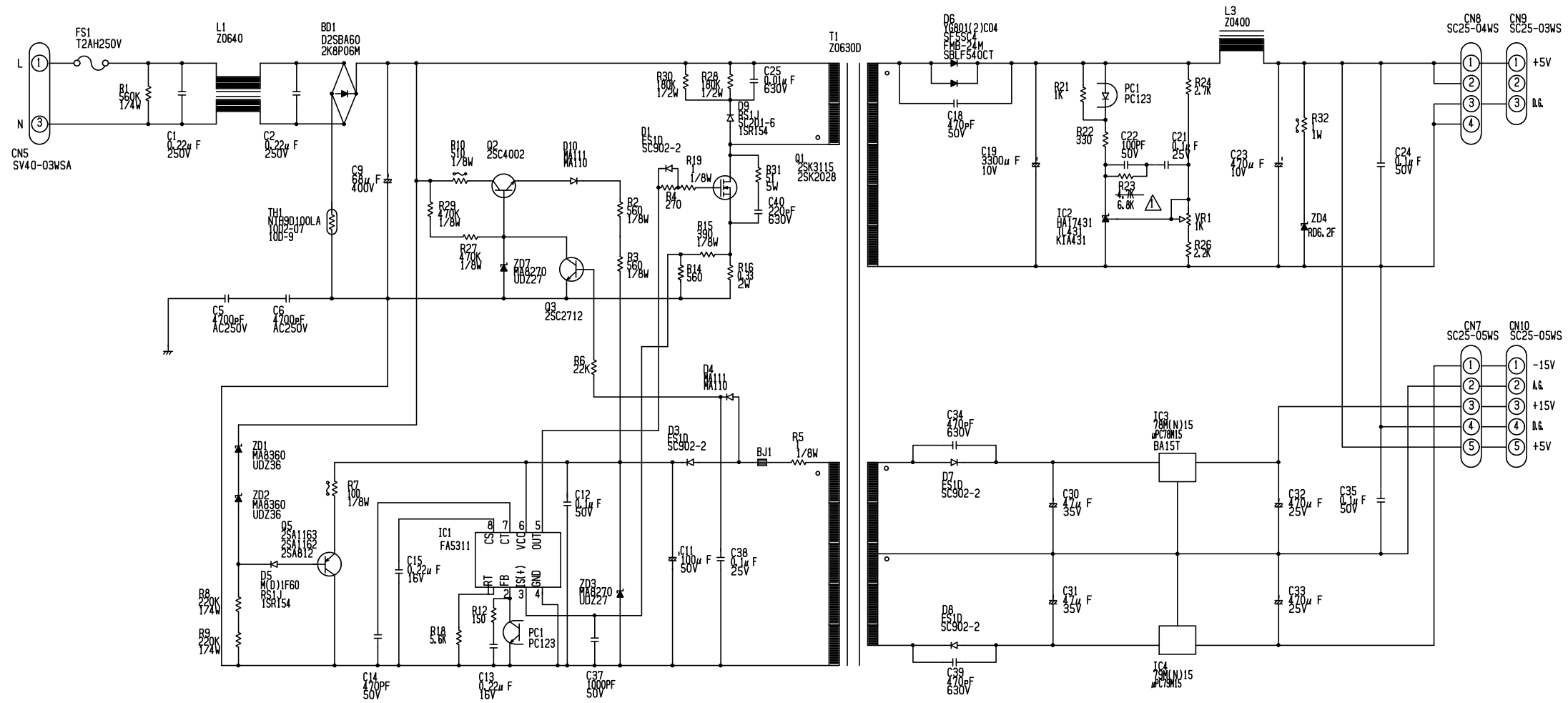
DRAWN BY	DESIGNED BY	CHECKED BY	MODEL TRITON series(X-7100,7110,8100)
Y.Nishioka	Y.Akashi		TITLE
			KLM-1827/8 & 1511/2
			CIRCUIT DIAGRAM
<b>KORG</b>		DRAWING NO.	DATE
		KOD-A40431	'99. 5.20



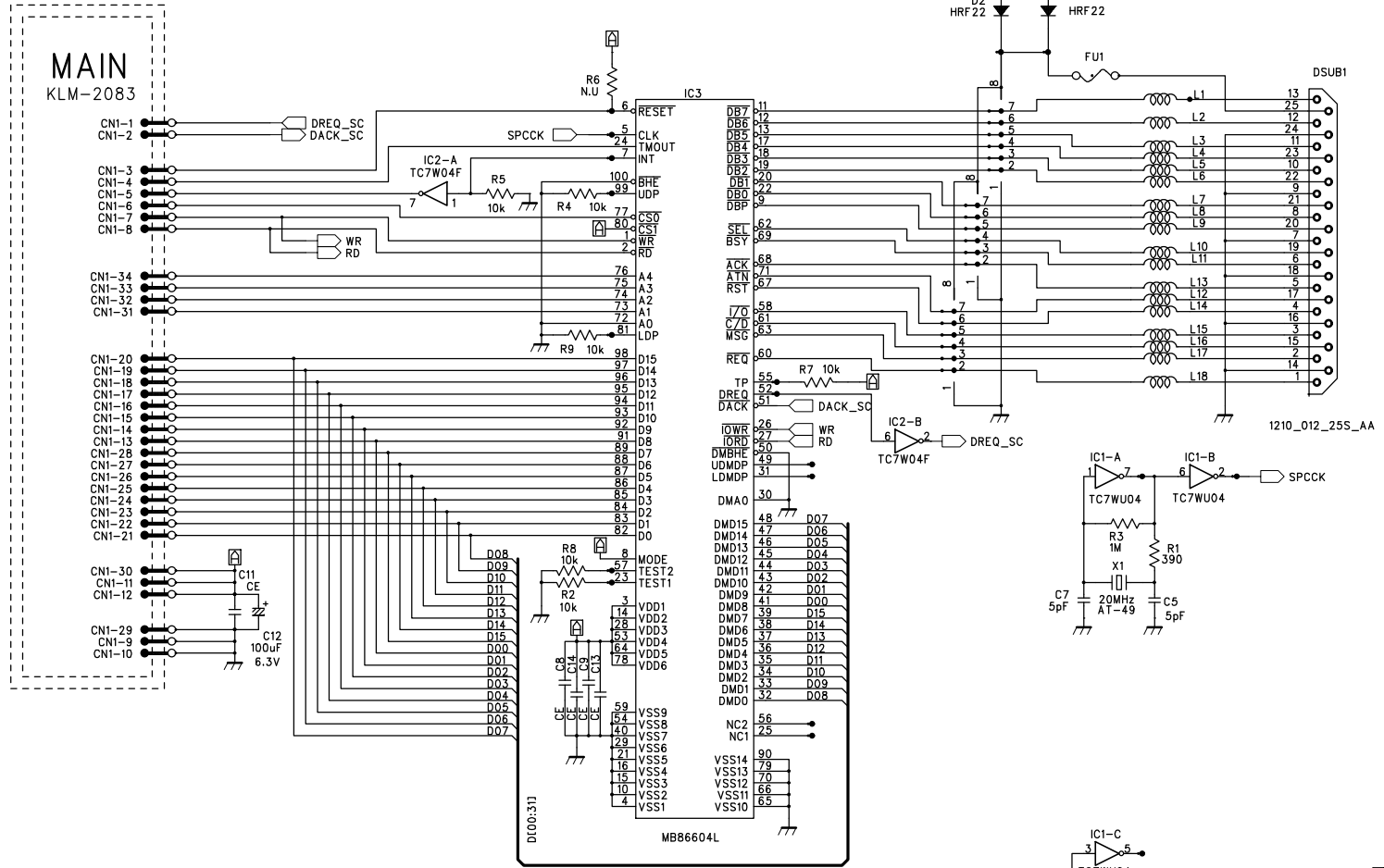


△			
△			
△			
△			
△			
MARK	REVISION REASON	DATE	REVISED BY

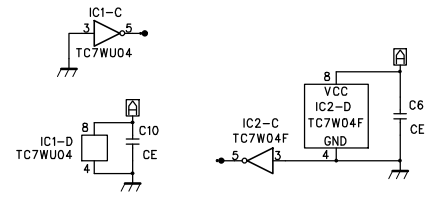
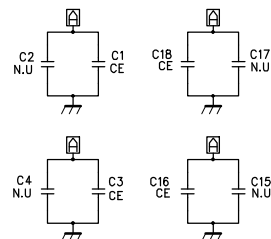
DRAWN BY	DESIGNED BY	CHECKED BY	CHECKED BY	MODEL	X-7100,7110
Akashi	Akashi			TITLE	INVERTER & LCD IF KLM-2091
<b>KORG</b>		DRAWING NO.	KOD-A40433		DATE
				'99. 3.15	



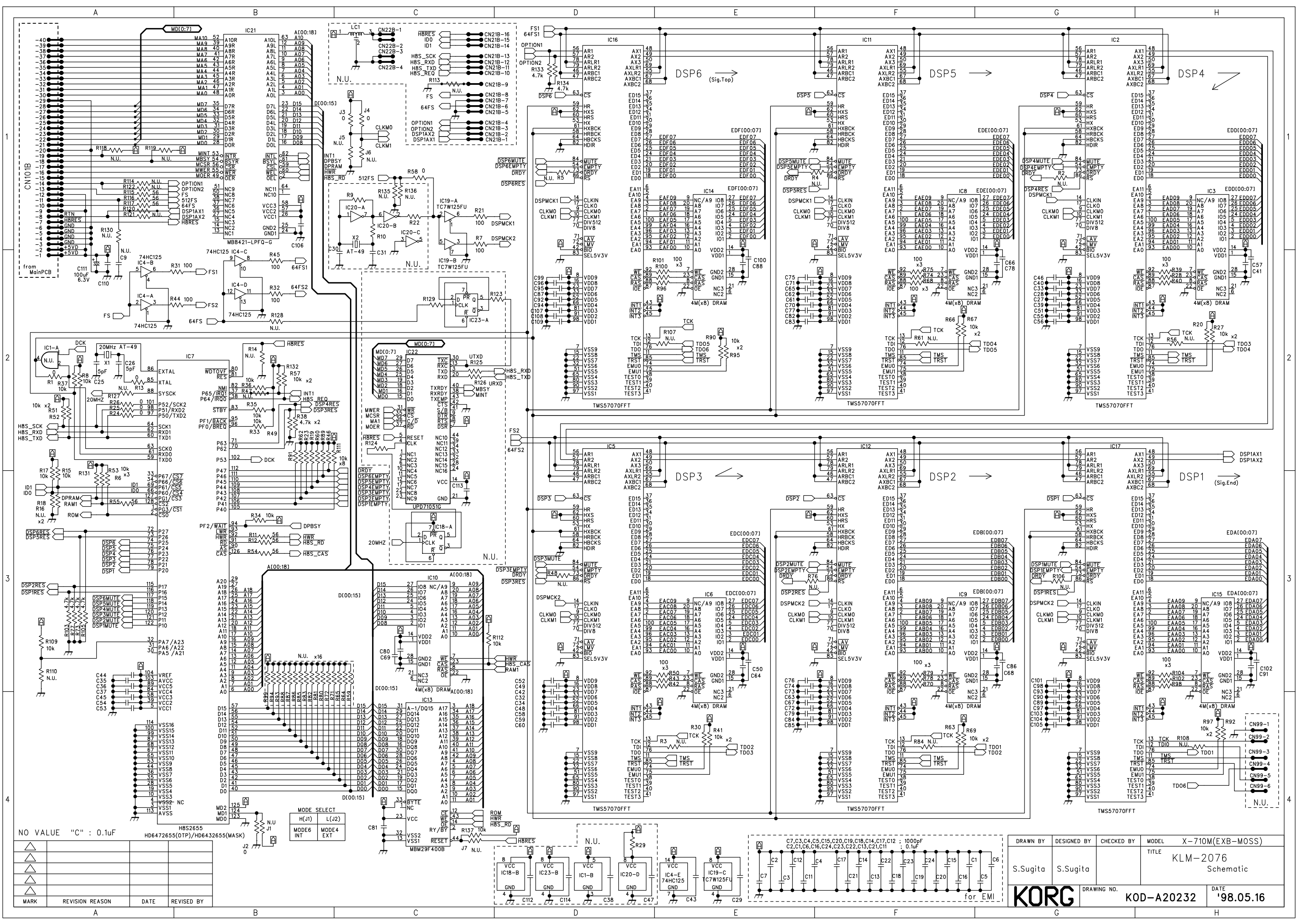
**MAIN**  
KLM-2083



△				
△				
△				
△				
MARK	REVISION REASON	DATE	REVISED BY	APPROVED BY



DRAWN BY	DESIGNED BY	CHECKED BY	MODEL	X-710S
Y.Nishioka	Y.Nishioka		TITLE	KLM-2087 SCSI pcb Circuit Diagram
DRAWING NO.			KOD-A40436	DATE
KORG				'99. 3.15



NO VALUE "C" : 0.1uF

MARK	REVISION	REASON	DATE	REVISED BY

DRAWN BY	DESIGNED BY	CHECKED BY	MODEL	X-710M(EXB-MOSS)
S.Sugita	S.Sugita		TITLE	KLM-2076 Schematic
DRAWING NO.			KOD-A20232	DATE
				'98.05.16

## **TRITON**

### **How to start and operate the test mode**

ENTER+5+POWER ON : FULL TEST

(SIMPLE TEST for SIMM)

ENTER+4+POWER ON : SIMM FULL TEST

ENTER+2+POWER ON : OMIT THE INTERNAL TEST

ENTER+9+POWER ON : INDICATE THE VERSION NUMBER

UP : ITEM UP

DOWN : ITEM DOWN

START/STOP(FF) : STEP UP

REW : STEP DOWN

### **How to reset the system**

ENTER+0+POWER ON

### **NOTE:**

When the test mode starts, the calibration values of Touch panel, JOY Stick and Pedal are reset.

When the test item is proceeded in order, please take the calibration at each item.

Parts code	Parts name and Spesfication	PCB No.	Unit Price(Yen)
2072160	72PIN SIMM 16MB	M.PART	4,610
2202090	POWER SUPPLY UNIT KLM-2090	M.PART	2,260
304000050	TR 2SA1175 T ALL	KLM-2085	10
304000050	TR 2SA1175 T ALL	KLM-2084	10
304020070	TR 2SC2785 T ALL	KLM-2085	10
304020150	TR 2SC1623-T1B (L7)	KLM-2083	10
304020180	TR 2SC2878 A/B TPE2	KLM-2084	10
304020370	TR 2SC2655-Y	KLM-2091	10
304050140	DIGITAL TR DTC114EKA T146	KLM-2089	10
304050150	DIGITAL TR DTA114EKA T146	KLM-2089	10
304050220	DIGITAL DTC114ESA TP	KLM-2085	10
312010900	LED GL3ED8	KLM-2086	20
312013600	LED MOB31CR	KLM-1827	10
313005000	TOUCH PANEL LCD KGJ-01S-5	M.PART	7,800
314001300	DIODE 1SS-133 T-77	KLM-2084	10
314001300	DIODE 1SS-133 T-77	KLM-1827	10
314001400	DIODE RLS-73 TE-11	KLM-1828	10
314003300	DIODE ERA83-004-V1	KLM-2091	20
314010300	DIODE 1S2076TD	KLM-2085	10
314010300	DIODE 1S2076TD	KLM-2086	10
314010310	LED HLMF-K200#2UM	KLM-2085	10
314010310	LED HLMF-K200#2UM	KLM-2086	10
314028200	ZENER DIODE RD5.1MW-T1B	KLM-1828	10
314028800	LED SLZ-190B-09-T2	KLM-2086	10
314028800	LED SLZ-190B-09-T2	KLM-2085	10
314030100	ZENNER DIODE RD9.1ES T4 AB2	KLM-2084	10
315000500	DOUBLE DIODE MC-2840-T12-1	KLM-2083	10
315000800	DOUBLE DIODE MC-982-T12	KLM-2084	10
320001233	IC UPD71051GB-3B4 (44P QFP)	KLM-2083	240
320001242	IC UPC4570HA	KLM-2084	30
320004191	IC HD74HC125P	KLM-2085	30
320004359	IC HD74HC05P	KLM-2084	20
320004538	IC HD63266F	KLM-2083	560
320004659	IC HD6433394A31F	KLM-2089	560
320004663	IC HD64F7045F28	KLM-2083	2,770
320011026	IC M5216L	KLM-2084	30
320011139	IC M5M34050P	KLM-2084	210
320011184	IC M66271FP	KLM-2083	690
320012223	IC MB87F1710	KLM-2083	2,080
320013131	IC IR3M03A	KLM-2091	50
320040038	IC MX23C6410MC-10 BK4-H	KLM-2083	710
320040039	IC MX23C6410MC-10 BK4-L	KLM-2083	710
320040040	IC MX23C6410MC-10 BK5-H	KLM-2083	710
320040041	IC MX23C6410MC-10 BK5-L	KLM-2083	710
320040051	IC MX29F1610MC10C5 7100A	KLM-2083	970
320040052	IC MX29F1610MC10C5 7100B	KLM-2083	970
324001015	IC UPC4570G2-E2 (SOP)	KLM-2083	30
324003004	IC TC7S08F(TE85L)	KLM-2083	20
324003010	IC TC7WU04F TE12L	KLM-2083	20
324003043	IC TC7W74F(TE12L)	KLM-2083	30
324004003	IC HD74HC139FPER	KLM-2083	20
324004004	IC HD74HC32FPEL	KLM-2083	20
324004006	IC HD74HC00FPEL	KLM-2083	20
324004024	IC HD74HC74FPER	KLM-2083	20
324004050	IC HD74HC138FPEL	KLM-2089	20
324004065	IC HD74HC164FPEL	KLM-2083	40
324004146	IC HD74HC595FPER	KLM-2083	60

Parts code	Parts name and Spesfication	PCB No.	Unit Price(Yen)
324004168	IC HD74HC4053FPEL	KLM-2089	30
324009004	IC NJM78L05UA-TE2	KLM-2083	20
324011012	IC M51953BFP-600C (SOP)	KLM-2083	20
324011017	IC M5218AFP-600C	KLM-1828	20
324011017	IC M5218AFP-600C	KLM-2083	20
324013018	IC PQ3TZ53U	KLM-2083	80
324021005	IC AT93066-10SI/SC-2.7	KLM-2083	70
324021014	IC SN74LV138ANS-EL	KLM-2083	30
324021015	IC SN74LV08ANS-EL	KLM-2083	10
324021016	IC SN74LV32ANS-EL	KLM-2083	10
324036008	IC PCM1716E/2K	KLM-2083	260
324036009	IC PCM1800E/2K	KLM-2083	330
324039001	IC KM416C1200BJ-6	KLM-2083	550
324039003	IC KM48C2104CK-6T/L6T	KLM-2083	550
330001400	PHOTO COUPLER PC-910K	KLM-2084	100
334000500	SB COIL SBT-0260 TF	KLM-2084	20
335005600	CRYSTAL OSC. AT-49 16.0MHZ	KLM-2089	70
335005600	CRYSTAL OSC. AT-49 16.0MHZ	KLM-2083	70
335006500	CRYSTAL OSC. AT-49 24.576MHZ	KLM-2083	70
335010700	CRYSTAL OSC. HC-49US 7.00MHZ	KLM-2083	40
350002210	SEMI FIXED VR RH0615C13J8WA	KLM-1828	10
350002410	SEMI FIXED VR RH0615C15 100K	KLM-1828	10
360024500	VR RK11K1140ADWA 10KB(SPECIAL)	KLM-1511/12	50
362007500	VR RK09K1110BJFA-10KB	KLM-2084	30
362009007	VR RK11K1140AJ08	KLM-2085	50
362009007	VR RK11K1140AJ08	KLM-2086	50
362009015	VR RK09K12ACO	KLM-2084	70
365007800	SLIDE VR RS30111AC00NB 10KB	KLM-2085	50
365009500	SLIDE VR EWA NA0C10B14 10KB	KLM-2085	50
370005000	REC EC11B15204A5	KLM-2086	140
373009000	SLIDE SW SSSS928400	KLM-2084	40
373009300	SLIDE SW ESD-11V121	KLM-2083	30
374000600	TOUCH SW EVQ11A09K	KLM-2085	10
374000600	TOUCH SW EVQ11A09K	KLM-2086	10
375010900	TOUCH SW EVQPAC07K	KLM-1827	10
375012500	POWER SW SDDF3-1A-2	M.PART	110
400015700	POWER TRANSFORMER T-130-1	KLM-2091	330
402002800	COIL 2943-666671	KLM-1935	30
402400200	COIL SBCP-8015H	KLM-2091	60
404000500	CHIP SOLID INDUCTOR BLM21B102SPT TS	KLM-2089	10
404000500	CHIP SOLID INDUCTOR BLM21B102SPT TS	KLM-2083	10
415003200	BUZZER CB-12AP-03	KLM-2091	40
415003700	KX-7100 SENSOR 1	M.PART	560
420005500	KEYBOARD AEII-88 KG2	M.PART	24,960
430008459	F.D TNFD-00P/01P	M.PART	210
435002200	FDD DF354H912C	M.PART	2,200
450003100	PHONE JACK LGR4609-7000	KLM-1935	20
450003100	PHONE JACK LGR4609-7000	KLM-2084	20
454005600	PHONE JACK YKB21-5006	KLM-2084	50
464400100	FUSE 125V 1A 251001 T-26	KLM-2091	60
471071501	CONNECTOR TOP B15B-PH-K-S(U)	KLM-2089	10
471101040	CONNECTOR TOP SC25-04WS	KLM-2091	10
471101050	CONNECTOR TOP SC25-05WS	KLM-2083	10
471101050	CONNECTOR TOP SC25-05WS	KLM-2084	10
471102030	CONNECTOR TOP SJ20-03WX	KLM-2084	10
471102030	CONNECTOR TOP SJ20-03WX	KLM-2091	10
471102030	CONNECTOR TOP SJ20-03WX	KLM-1935	10

Parts code	Parts name and Spesfication	PCB No.	Unit Price(Yen)
471102050	CONNECTOR TOP SJ20-05WX	KLM-2083	10
471102050	CONNECTOR TOP SJ20-05WX	KLM-2084	10
471102060	CONNECTOR TOP SJ20-06WX	KLM-2085	10
471102060	CONNECTOR TOP SJ20-06WX	KLM-2083	10
471102060	CONNECTOR TOP SJ20-06WX	KLM-2089	10
471102060	CONNECTOR TOP SJ20-06WX	KLM-2084	10
471102070	CONNECTOR TOP SJ20-07WX	KLM-2089	10
471102070	CONNECTOR TOP SJ20-07WX	KLM-2083	10
471102080	CONNECTOR TOP SJ20-08WX	KLM-2083	10
471102090	CONNECTOR TOP SJ20-09WX	KLM-2083	10
471102100	CONNECTOR TOP SJ20-10WX	KLM-2089	10
471102110	CONNECTOR TOP SJ20-11WX	KLM-2089	10
471102110	CONNECTOR TOP SJ20-11WX	KLM-2086	10
471102110	CONNECTOR TOP SJ20-11WX	KLM-2085	10
471102120	CONNECTOR TOP SJ20-12WX	KLM-2083	10
471102120	CONNECTOR TOP SJ20-12WX	KLM-2085	10
471102120	CONNECTOR TOP SJ20-12WX	KLM-2089	10
471102120	CONNECTOR TOP SJ20-12WX	KLM-2091	10
471102140	CONNECTOR TOP SJ20-14WX	KLM-2083	10
471102140	CONNECTOR TOP SJ20-14WX	KLM-2084	10
471102140	CONNECTOR TOP SJ20-14WX	KLM-2089	10
471102150	CONNECTOR TOP SJ20-15WX	KLM-2085	10
471102150	CONNECTOR TOP SJ20-15WX	KLM-2089	10
471102160	CONNECTOR TOP SJ20-16WX	KLM-2089	10
471102160	CONNECTOR TOP SJ20-16WX	KLM-2086	10
472092060	CONNECTOR SIDE SJ20-06WM	KLM-1828	10
472092090	CONNECTOR SIDE SJ20-09WM	KLM-1828	10
472093150	CONNECTOR SIDE SB20-15WL	KLM-1827	10
474020600	CONNECTOR 52080-0510	KLM-1828	30
474021000	CONNECTOR 34P 5332-34T2	KLM-2083	60
474021200	CONNECTOR 40P 5332-40GS1	KLM-2083	90
474021300	DIN CONNECTOR TC7927-28-401	KLM-2084	60
474028600	CONNECTOR IL-G-4P-S3T2-SA	KLM-2091	20
474028700	CONNECTOR 08FDZ-ST-BHL	KLM-2085	50
474028800	CONNECTOR 008370-141-000-800	KLM-2091	40
474028900	SIMM CONNECTOR 52706-7220	KLM-2083	160
475002197	HARNESS HNS-2197 (BOARD IN)	KLM-1827	40
475002198	HARNESS HNS-2198 (BOARD IN)	KLM-1511/12	40
475002761	HARNESS HNS-2761	M.PART	40
475002764	HARNESS HNS-2764	M.PART	20
475002767	HARNESS HNS-2767	M.PART	50
475002771	HARNESS HNS-2771	M.PART	110
475002772	HARNESS HNS-2772	M.PART	70
475002791	HARNESS HNS-2791	M.PART	40
475002792	HARNESS HNS-2792	M.PART	50
475002793	HARNESS HNS-2793	M.PART	40
475002794	HARNESS HNS-2794	M.PART	40
475002795	HARNESS HNS-2795	M.PART	80
475002796	HARNESS HNS-2796	M.PART	80
475002797	HARNESS HNS-2797	M.PART	80
475002798	HARNESS HNS-2798	M.PART	30
475002799	HARNESS HNS-2799	M.PART	70
475002800	HARNESS HNS-2800	M.PART	60
475002801	HARNESS HNS-2801	M.PART	40
475002803	HARNESS HNS-2803	M.PART	90
475002804	HARNESS HNS-2804	M.PART	60
475002805	HARNESS HNS-2805	M.PART	110



Parts code	Parts name and Spesfication	PCB No.	Unit Price(Yen)
475002806	HARNESS HNS-2806	M.PART	80
475002807	HARNESS HNS-2807	M.PART	810
475002809	HARNESS HNS-2809	M.PART	80
475002810	HARNESS HNS-2810	M.PART	560
475008054	HARNESS HNS-8054	M.PART	10
480010380	DIN JACK YKF51-5041 (3P)	KLM-2084	110
500024000	X-410 SPONGE SPACER KOC-F40666	M.PART	10
500027900	X-313 FRONT BAR SPACER F40740	M.PART	10
525001300	FERRITE CORE NFT-25	M.PART	80
540007200	WIRE BAND PLT-1M	M.PART	10
540008600	SPIRAL CLIP CS-8	M.PART	10
540008601	SPIRAL CLIP CS-6	M.PART	10
540013100	CLIP A-1T	M.PART	20
540020200	INLET SOCKET SS-7B	M.PART	30
540021900	PLASTIC SUPPORT PS-610	M.PART	10
540023800	PLASTIC SUPPORT PS-312	M.PART	10
540023900	CIRCUIT BOARD SPACER MSPLS-6	M.PART	10
550016800	X-313 KEYBOARD FELT KOC-F40734	M.PART	50
575016700	LED SPACER LH-3-2	KLM-1827	10
575018400	LED SPACER LH-5-4.5 L=4.5MM	KLM-2086	10
600005100	AC CORD KP-610 GTBS-3 KS-31AY	M.PART UK	830
600005300	AC CORD DC-480-J01	M.PART JP	210
600005400	AC CORD EC-652-E03	M.PART WG	280
600005400	AC CORD EC-652-E03	M.PART GE	280
600005400	AC CORD EC-652-E03	M.PART FR	280
600005700	AC CORD UC-953-J01	M.PART US	210
600005700	AC CORD UC-953-J01	M.PART CN	210
600005800	AC CORD SC-111-J01	M.PART AU	250
620024600	X-952 POWER SW KNOB E40304-2	M.PART	20
620034400	X-610 2-LINKAGE B-2-GR	M.PART	40
620034500	X-610 2-LINKAGE A-2-GR	M.PART	40
620034600	X-631 SVR KNOB E40239-6	M.PART	10
620034700	X-610 ENCODER KNOB E40466-2	M.PART	30
620034800	X610 CONTROL KNOB ASSY	M.PART	60
620034900	X610 2-LINKAGE KNOB A-1-GR	M.PART	20
620035000	X610 2-LINKAGE KNOB B-1-GR	M.PART	20
620035100	4-LINKAGE KNOB B-1-LG E20180	M.PART	10
620035200	4-LINKAGE KNOB A-1-LG E20180	M.PART	10
620035300	4-LINKAGE KNOB A-2-LG	M.PART	20
620035900	KNOB P422-9PF(D.GR/W)	M.PART	10
630029200	X-620 SHIELD SHEET L F40838-1	M.PART	50
630029300	X-620 SHIELD SHEET R F40838-2	M.PART	50
641026204	X-122 HINGE 2 KOC-C40872	M.PART	70
641031300	X-120 STOPPER PLATE KOC-C40887	M.PART	10
641031900	GND SPRING (A) KOC-C40890	M.PART	20
641032100	X-122 FRONT BAR SPACER 2	M.PART	50
641039700	X-115 POWER SW METAL FITTING	M.PART	70
641041270	X-311/S/312 GND SPRING (H)	M.PART	20
641041277	X-513/4/5 JACK PLATE 4 C41053	KLM-2084	40
641041320	X-313 FDD ANGLE L KOC-C30488	M.PART	80
641041321	X-313 FDD ANGLE R KOC-C30489	M.PART	60
641041326	X-313 FRS ANGLE KOC-C41058	M.PART	40
641041411	X-616 JOINT ANGLE 1	M.PART	60
641041436	GND PLATE M1866-A KOC-C40884-2	M.PART	10
641041479	X-013 JACK PLATE 5 KOC0C41132	M.PART	40
641041528	X-7100/7110 PCB BOX KOC-C10209	M.PART	390
641041530	X-7100/7110 OP PLATE C41143	M.PART	20

Parts code	Parts name and Spesfication	PCB No.	Unit Price(Yen)
641041534	X-7100/7110 LCD ANGLE C41145	M.PART	20
641041538	X-8100 PANEL KOC-C10206	M.PART	5,070
641041545	X-8100 FRONT BAR KOC-C10184-3	M.PART	910
641041548	X-8100 OP COVER A KOC-C41150	M.PART	190
641041549	X-8100 OP COVER B KOC-C41151	M.PART	140
644006200	X-011/012 WHEEL SPRING C40848	M.PART	10
644007700	GND SPRING KOC-C46014	M.PART	10
645052811	X-8100 BOTTOM CASE KOC-D10080	M.PART	2,070
645052812	X-8100 SIDE PLATE L D30152-2	M.PART	1,100
645052813	X-8100 SIDE PLATE R D30152-1	M.PART	1,100
646038900	X-011/012 JOYSTICK FRAME	M.PART	40
646039000	X-011/012 VR PLATE KOC-E40309	M.PART	20
646039100	X-011/012 WHEEL SUPPORT E40308	M.PART	20
646039200	X-011/012 JOYSTICK LEVER	M.PART	30
646070500	X-7100/7110 LCD HOOD E10167	M.PART	130
646071100	X-610 ENCODER FRAME E40467-2	M.PART	40
646071200	X-511/2 JS COVER E20134-4	M.PART	40
646071300	X-511/2 JS WHEEL E30148-4	M.PART	30
646071400	SVR FRAME ASSY 30LG	M.PART	40
646071600	X-313 KEY BLOCK KOC-E20171-2	M.PART	130
646071700	X-313 JS PANEL KOC-E10119-2	M.PART	230

Parts code	Parts name and Spesfication	PCB No.	Unit Price(Yen)
2072160	72PIN SIMM 16MB	M.PART	4,610
2202090	POWER SUPPLY UNIT KLM-2090	M.PART	2,260
304000050	TR 2SA1175 T ALL	KLM-2085	10
304000050	TR 2SA1175 T ALL	KLM-2084	10
304020070	TR 2SC2785 T ALL	KLM-2085	10
304020150	TR 2SC1623-T1B (L7)	KLM-2083	10
304020180	TR 2SC2878 A/B TPE2	KLM-2084	10
304020370	TR 2SC2655-Y	KLM-2091	10
304050140	DIGITAL TR DTC114EKA T146	KLM-2089	10
304050150	DIGITAL TR DTA114EKA T146	KLM-2089	10
304050220	DIGITAL DTC114ESA TP	KLM-2085	10
312010900	LED GL3ED8	KLM-2086	20
312013600	LED MOB31CR	KLM-1827	10
313005000	TOUCH PANEL LCD KGJ-01S-5	M.PART	7,800
314001300	DIODE 1SS-133 T-77	KLM-2084	10
314001300	DIODE 1SS-133 T-77	KLM-1827	10
314001400	DIODE RLS-73 TE-11	KLM-1828	10
314003300	DIODE ERA83-004-V1	KLM-2091	20
314010300	DIODE 1S2076TD	KLM-2086	10
314010300	DIODE 1S2076TD	KLM-2085	10
314010310	LED HLMF-K200#2UM	KLM-2085	10
314010310	LED HLMF-K200#2UM	KLM-2086	10
314028200	ZENER DIODE RD5.1MW-T1B	KLM-1828	10
314028800	LED SLZ-190B-09-T2	KLM-2085	10
314028800	LED SLZ-190B-09-T2	KLM-2086	10
314030100	ZENNER DIODE RD9.1ES T4 AB2	KLM-2084	10
315000500	DOUBLE DIODE MC-2840-T12-1	KLM-2083	10
315000800	DOUBLE DIODE MC-982-T12	KLM-2084	10
320001233	IC UPD71051GB-3B4 (44P QFP)	KLM-2083	240
320001242	IC UPC4570HA	KLM-2084	30
320004191	IC HD74HC125P	KLM-2085	30
320004359	IC HD74HC05P	KLM-2084	20
320004538	IC HD63266F	KLM-2083	560
320004659	IC HD6433394A31F	KLM-2089	560
320004663	IC HD64F7045F28	KLM-2083	2,770
320011026	IC M5216L	KLM-2084	30
320011139	IC M5M34050P	KLM-2084	210
320011184	IC M66271FP	KLM-2083	690
320012223	IC MB87F1710	KLM-2083	2,080
320013131	IC IR3M03A	KLM-2091	50
320040038	IC MX23C6410MC-10 BK4-H	KLM-2083	710
320040039	IC MX23C6410MC-10 BK4-L	KLM-2083	710
320040040	IC MX23C6410MC-10 BK5-H	KLM-2083	710
320040041	IC MX23C6410MC-10 BK5-L	KLM-2083	710
320040051	IC MX29F1610MC10C5 7100A	KLM-2083	970
320040052	IC MX29F1610MC10C5 7100B	KLM-2083	970
324001015	IC UPC4570G2-E2 (SOP)	KLM-2083	30
324003004	IC TC7S08F(TE85L)	KLM-2083	20
324003010	IC TC7WU04F TE12L	KLM-2083	20
324003043	IC TC7W74F(TE12L)	KLM-2083	30
324004003	IC HD74HC139FPER	KLM-2083	20
324004004	IC HD74HC32FPEL	KLM-2083	20
324004006	IC HD74HC00FPEL	KLM-2083	20
324004024	IC HD74HC74FPER	KLM-2083	20
324004050	IC HD74HC138FPEL	KLM-2089	20
324004065	IC HD74HC164FPEL	KLM-2083	40
324004146	IC HD74HC595FPER	KLM-2083	60

Parts code	Parts name and Spesification	PCB No.	Unit Price(Yen)
324004168	IC HD74HC4053FPEL	KLM-2089	30
324009004	IC NJM78L05UA-TE2	KLM-2083	20
324011012	IC M51953BFP-600C (SOP)	KLM-2083	20
324011017	IC M5218AFP-600C	KLM-2083	20
324011017	IC M5218AFP-600C	KLM-1828	20
324013018	IC PQ3TZ53U	KLM-2083	80
324021005	IC AT93066-10SI/SC-2.7	KLM-2083	70
324021014	IC SN74LV138ANS-EL	KLM-2083	30
324021015	IC SN74LV08ANS-EL	KLM-2083	10
324021016	IC SN74LV32ANS-EL	KLM-2083	10
324036008	IC PCM1716E/2K	KLM-2083	260
324036009	IC PCM1800E/2K	KLM-2083	330
324039001	IC KM416C1200BJ-6	KLM-2083	550
324039003	IC KM48C2104CK-6T/L6T	KLM-2083	550
330001400	PHOTO COUPLER PC-910K	KLM-2084	100
334000500	SB COIL SBT-0260 TF	KLM-2084	20
335005600	CRYSTAL OSC. AT-49 16.0MHZ	KLM-2089	70
335005600	CRYSTAL OSC. AT-49 16.0MHZ	KLM-2083	70
335006500	CRYSTAL OSC. AT-49 24.576MHZ	KLM-2083	70
335010700	CRYSTAL OSC. HC-49US 7.00MHZ	KLM-2083	40
350002210	SEMI FIXED VR RH0615C13J8WA	KLM-1828	10
350002410	SEMI FIXED VR RH0615C15 100K	KLM-1828	10
360024500	VR RK11K1140ADWA 10KB(SPECIAL)	KLM-1511/12	50
362007500	VR RK09K1110BJFA-10KB	KLM-2084	30
362009007	VR RK11K1140AJ08	KLM-2085	50
362009007	VR RK11K1140AJ08	KLM-2086	50
362009015	VR RK09K12ACO	KLM-2084	70
365007800	SLIDE VR RS30111AC00NB 10KB	KLM-2085	50
365009500	SLIDE VR EWA NA0C10B14 10KB	KLM-2085	50
370005000	REC EC11B15204A5	KLM-2086	140
373009000	SLIDE SW SSSS928400	KLM-2084	40
373009300	SLIDE SW ESD-11V121	KLM-2083	30
374000600	TOUCH SW EVQ11A09K	KLM-2086	10
374000600	TOUCH SW EVQ11A09K	KLM-2085	10
375010900	TOUCH SW EVQPAC07K	KLM-1827	10
375012500	POWER SW SDDF3-1A-2	M.PART	110
400015700	POWER TRANSFORMER T-130-1	KLM-2091	330
402002800	COIL 2943-666671	KLM-1935	30
402400200	COIL SBCP-8015H	KLM-2091	60
404000500	CHIP SOLID INDUCTOR BLM21B102SPT TS	KLM-2089	10
404000500	CHIP SOLID INDUCTOR BLM21B102SPT TS	KLM-2083	10
415003200	BUZZER CB-12AP-03	KLM-2091	40
415003700	KX-7100 SENSOR 1	M.PART	560
420004500	KEYBOARD FS-E76	M.PART	18,330
430008459	F.D TNFD-00P/01P	M.PART	210
435002200	FDD DF354H912C	M.PART	2,200
450003100	PHONE JACK LGR4609-7000	KLM-1935	20
450003100	PHONE JACK LGR4609-7000	KLM-2084	20
454005600	PHONE JACK YKB21-5006	KLM-2084	50
464400100	FUSE 125V 1A 251001 T-26	KLM-2091	60
471071501	CONNECTOR TOP B15B-PH-K-S(U)	KLM-2089	10
471101040	CONNECTOR TOP SC25-04WS	KLM-2091	10
471101050	CONNECTOR TOP SC25-05WS	KLM-2083	10
471101050	CONNECTOR TOP SC25-05WS	KLM-2084	10
471102030	CONNECTOR TOP SJ20-03WX	KLM-1935	10
471102030	CONNECTOR TOP SJ20-03WX	KLM-2084	10
471102030	CONNECTOR TOP SJ20-03WX	KLM-2091	10

Parts code	Parts name and Specification	PCB No.	Unit Price(Yen)
471102050	CONNECTOR TOP SJ20-05WX	KLM-2083	10
471102050	CONNECTOR TOP SJ20-05WX	KLM-2084	10
471102060	CONNECTOR TOP SJ20-06WX	KLM-2084	10
471102060	CONNECTOR TOP SJ20-06WX	KLM-2085	10
471102060	CONNECTOR TOP SJ20-06WX	KLM-2089	10
471102060	CONNECTOR TOP SJ20-06WX	KLM-2083	10
471102070	CONNECTOR TOP SJ20-07WX	KLM-2083	10
471102070	CONNECTOR TOP SJ20-07WX	KLM-2089	10
471102080	CONNECTOR TOP SJ20-08WX	KLM-2083	10
471102090	CONNECTOR TOP SJ20-09WX	KLM-2083	10
471102100	CONNECTOR TOP SJ20-10WX	KLM-2089	10
471102110	CONNECTOR TOP SJ20-11WX	KLM-2085	10
471102110	CONNECTOR TOP SJ20-11WX	KLM-2089	10
471102110	CONNECTOR TOP SJ20-11WX	KLM-2086	10
471102120	CONNECTOR TOP SJ20-12WX	KLM-2091	10
471102120	CONNECTOR TOP SJ20-12WX	KLM-2083	10
471102120	CONNECTOR TOP SJ20-12WX	KLM-2085	10
471102120	CONNECTOR TOP SJ20-12WX	KLM-2089	10
471102140	CONNECTOR TOP SJ20-14WX	KLM-2084	10
471102140	CONNECTOR TOP SJ20-14WX	KLM-2089	10
471102140	CONNECTOR TOP SJ20-14WX	KLM-2083	10
471102150	CONNECTOR TOP SJ20-15WX	KLM-2085	10
471102150	CONNECTOR TOP SJ20-15WX	KLM-2089	10
471102160	CONNECTOR TOP SJ20-16WX	KLM-2086	10
471102160	CONNECTOR TOP SJ20-16WX	KLM-2089	10
472092060	CONNECTOR SIDE SJ20-06WM	KLM-1828	10
472092090	CONNECTOR SIDE SJ20-09WM	KLM-1828	10
472093150	CONNECTOR SIDE SB20-15WL	KLM-1827	10
474020600	CONNECTOR 52080-0510	KLM-1828	30
474021000	CONNECTOR 34P 5332-34T2	KLM-2083	60
474021200	CONNECTOR 40P 5332-40GS1	KLM-2083	90
474021300	DIN CONNECTOR TC7927-28-401	KLM-2084	60
474028600	CONNECTOR IL-G-4P-S3T2-SA	KLM-2091	20
474028700	CONNECTOR 08FDZ-ST-BHL	KLM-2085	50
474028800	CONNECTOR 008370-141-000-800	KLM-2091	40
474028900	SIMM CONNECTOR 52706-7220	KLM-2083	160
475002197	HARNESS HNS-2197 (BOARD IN)	KLM-1827	40
475002198	HARNESS HNS-2198 (BOARD IN)	KLM-1511/12	40
475002550	HARNESS HNS-2550	M.PART	60
475002761	HARNESS HNS-2761	M.PART	40
475002763	HARNESS HNS-2763	M.PART	50
475002764	HARNESS HNS-2764	M.PART	20
475002765	HARNESS HNS-2765	M.PART	40
475002766	HARNESS HNS-2766	M.PART	40
475002767	HARNESS HNS-2767	M.PART	50
475002768	HARNESS HNS-2768	M.PART	70
475002769	HARNESS HNS-2769	M.PART	80
475002770	HARNESS HNS-2770	M.PART	60
475002771	HARNESS HNS-2771	M.PART	110
475002772	HARNESS HNS-2772	M.PART	70
475002776	HARNESS HNS-2776	M.PART	90
475002781	HARNESS HNS-2781	M.PART	50
475002782	HARNESS HNS-2782	M.PART	100
475002784	HARNESS HNS-2784	M.PART	300
475002785	HARNESS HNS-2785	M.PART	100
475002786	HARNESS HNS-2786	M.PART	70
475002787	HARNESS HNS-2787	M.PART	650

Parts code	Parts name and Specification	PCB No.	Unit Price(Yen)
475002811	HARNESS HNS-2811	KLM-1935	10
475002812	HARNESS HNS-2812	M.PART	60
475002813	HARNESS HNS-2813	M.PART	60
475002814	HARNESS HNS-2814	M.PART	90
475002823	HARNESS HNS-2823	M.PART	30
475002824	HARNESS HNS-2824	M.PART	50
475008054	HARNESS HNS-8054	M.PART	10
480010380	DIN JACK YKF51-5041 (3P)	M.PART	110
500018500	RUBBER FOOT FF-001	M.PART	10
500024000	X-410 SPONGE SPACER KOC-F40666	M.PART	10
525001300	FERRITE CORE NFT-25	M.PART	80
540007200	WIRE BAND PLT-1M	M.PART	10
540008601	SPIRAL CLIP CS-6	M.PART	10
540020200	INLET SOCKET SS-7B	M.PART	30
540023800	PLASTIC SUPPORT PS-312	M.PART	10
540023900	CIRCUIT BOARD SPACER MSPLS-6	M.PART	10
575016700	LED SPACER LH-3-2	KLM-1827	10
575018400	LED SPACER LH-5-4.5 L=4.5MM	KLM-2086	10
600005100	AC CORD KP-610 GTBS-3 KS-31AY	M.PART	830
600005300	AC CORD DC-480-J01	M.PART JP	210
600005400	AC CORD EC-652-E03	M.PART WG	280
600005400	AC CORD EC-652-E03	M.PART FR	280
600005400	AC CORD EC-652-E03	M.PART GE	280
600005700	AC CORD UC-953-J01	M.PART US	210
600005700	AC CORD UC-953-J01	M.PART EX	210
600005700	AC CORD UC-953-J01	M.PART CN	210
600005800	AC CORD SC-111-J01	M.PART AU	250
620024600	X-952 POWER SW KNOB E40304-2	M.PART	20
620034400	X-610 2-LINKAGE B-2-GR	M.PART	40
620034500	X-610 2-LINKAGE A-2-GR	M.PART	40
620034600	X-631 SVR KNOB E40239-6	M.PART	10
620034700	X-610 ENCODER KNOB E40466-2	M.PART	30
620034800	X610 CONTROL KNOB ASSY	M.PART	60
620034900	X610 2-LINKAGE KNOB A-1-GR	M.PART	20
620035000	X610 2-LINKAGE KNOB B-1-GR	M.PART	20
620035100	4-LINKAGE KNOB B-1-LG E20180	M.PART	10
620035200	4-LINKAGE KNOB A-1-LG E20180	M.PART	10
620035300	4-LINKAGE KNOB A-2-LG	M.PART	20
620035900	KNOB P422-9PF(D.GR/W)	M.PART	10
641039700	X-115 METAL FITTING OF POWER SW	M.PART	70
641041277	X-513/4/5 JACK PLATE 4 C41053	KLM-2084	40
641041326	X-313 FRS ANGLE KOC-C41058	M.PART	40
641041436	GND PLATE M1866-A KOC-C40884-2	KLM-1935	10
641041479	X-013 JACK PLATE 5 KOC0C41132	KLM-2084	40
641041528	X-7100/7110 PCB BOX KOC-C10209	M.PART	390
641041529	X-7100/7110 KB SUPPORT C30528	M.PART	60
641041530	X-7100/7110 OP PLATE C41143	M.PART	20
641041532	X-7100/7110 OP COVER 1 C30526	M.PART	110
641041533	X-7100/7110 OP COVER 2 C30527	M.PART	120
641041534	X-7100/7110 LCD ANGLE C41145	M.PART	20
641041537	X-7110 PANEL KOC-C10205	M.PART	3,810
641041543	X-7110 BOTTOM COVER KOC-C10208	M.PART	1,360
641041544	X-7110 KBF ANGLE KOC-C30529	M.PART	240
644006200	X-011/012 WHEEL SPRING C40848	M.PART	10
646038900	X-011/012 JOYSTICK FRAME	M.PART	40
646039000	X-011/012 VR PLATE KOC-E40309	M.PART	20
646039100	X-011/012 WHEEL SUPPORT E40308	M.PART	20

<b>Parts code</b>	<b>Parts name and Spesfication</b>	<b>PCB No.</b>	<b>Unit Price(Yen)</b>
646039200	X-011/012 JOYSTICK LEVER	M.PART	30
646070200	X-7100/7110 SIDE PANEL L	M.PART	340
646070300	X-7100/7110 SIDE PANEL R	M.PART	340
646070400	X-7100/7110 JS PANEL E10166	M.PART	210
646070500	X-7100/7110 LCD HOOD E10167	M.PART	130
646070700	X-7110 FRONT BAR KOC-E40476-2	M.PART	430
646071100	X-610 ENCODER FRAME E40467-2	M.PART	40
646071200	X-511/2 JS COVER E20134-4	M.PART	40
646071300	X-511/2 JS WHEEL E30148-4	M.PART	30
646071400	SVR FRAME ASSY 30LG	M.PART	40

Parts code	Parts name and Spesfication	PCB No.	Unit Price(Yen)
2072160	72PIN SIMM 16MB	M.PART	4,610
2202090	POWER SUPPLY UNIT KLM-2090	M.PART	2,260
304000050	TR 2SA1175 T ALL	KLM-2084	10
304000050	TR 2SA1175 T ALL	KLM-2085	10
304020070	TR 2SC2785 T ALL	KLM-2085	10
304020150	TR 2SC1623-T1B (L7)	KLM-2083	10
304020180	TR 2SC2878 A/B TPE2	KLM-2084	10
304020370	TR 2SC2655-Y	KLM-2091	10
304050140	DIGITAL TR DTC114EKA T146	KLM-2089	10
304050150	DIGITAL TR DTA114EKA T146	KLM-2089	10
304050220	DIGITAL DTC114ESA TP	KLM-2085	10
312010900	LED GL3ED8	KLM-2086	20
312013600	LED MOB31CR	KLM-1827	10
313005000	TOUCH PANEL LCD KGJ-01S-5	M.PART	7,800
314001300	DIODE 1SS-133 T-77	KLM-1827	10
314001300	DIODE 1SS-133 T-77	KLM-2084	10
314001400	DIODE RLS-73 TE-11	KLM-1828	10
314003300	DIODE ERA83-004-V1	KLM-2091	20
314010300	DIODE 1S2076TD	KLM-2086	10
314010300	DIODE 1S2076TD	KLM-2085	10
314010310	LED HLMF-K200#2UM	KLM-2085	10
314010310	LED HLMF-K200#2UM	KLM-2086	10
314028200	ZENER DIODE RD5.1MW-T1B	KLM-1828	10
314028800	LED SLZ-190B-09-T2	KLM-2086	10
314028800	LED SLZ-190B-09-T2	KLM-2085	10
314030100	ZENNER DIODE RD9.1ES T4 AB2	KLM-2084	10
315000500	DOUBLE DIODE MC-2840-T12-1	KLM-2083	10
315000800	DOUBLE DIODE MC-982-T12	KLM-2084	10
320001233	IC UPD71051GB-3B4 (44P QFP)	KLM-2083	240
320001242	IC UPC4570HA	KLM-2084	30
320004191	IC HD74HC125P	KLM-2085	30
320004359	IC HD74HC05P	KLM-2084	20
320004538	IC HD63266F	KLM-2083	560
320004659	IC HD6433394A31F	KLM-2089	560
320004663	IC HD64F7045F28	KLM-2083	2,770
320011026	IC M5216L	KLM-2084	30
320011139	IC M5M34050P	KLM-2084	210
320011184	IC M66271FP	KLM-2083	690
320012223	IC MB87F1710	KLM-2083	2,080
320013131	IC IR3M03A	KLM-2091	50
320040038	IC MX23C6410MC-10 BK4-H	KLM-2083	710
320040039	IC MX23C6410MC-10 BK4-L	KLM-2083	710
320040040	IC MX23C6410MC-10 BK5-H	KLM-2083	710
320040041	IC MX23C6410MC-10 BK5-L	KLM-2083	710
320040051	IC MX29F1610MC10C5 7100A	KLM-2083	970
320040052	IC MX29F1610MC10C5 7100B	KLM-2083	970
324001015	IC UPC4570G2-E2 (SOP)	KLM-2083	30
324003004	IC TC7S08F(TE85L)	KLM-2083	20
324003010	IC TC7WU04F TE12L	KLM-2083	20
324003043	IC TC7W74F(TE12L)	KLM-2083	30
324004003	IC HD74HC139FPER	KLM-2083	20
324004004	IC HD74HC32FPEL	KLM-2083	20
324004006	IC HD74HC00FPEL	KLM-2083	20
324004024	IC HD74HC74FPER	KLM-2083	20
324004050	IC HD74HC138FPEL	KLM-2089	20
324004065	IC HD74HC164FPEL	KLM-2083	40
324004146	IC HD74HC595FPER	KLM-2083	60



Parts code	Parts name and Spesification	PCB No.	Unit Price(Yen)
324004168	IC HD74HC4053FPEL	KLM-2089	30
324009004	IC NJM78L05UA-TE2	KLM-2083	20
324011012	IC M51953BFP-600C (SOP)	KLM-2083	20
324011017	IC M5218AFP-600C	KLM-2083	20
324011017	IC M5218AFP-600C	KLM-1828	20
324013018	IC PQ3TZ53U	KLM-2083	80
324021005	IC AT93C66-10SI/SC-2.7	KLM-2083	70
324021014	IC SN74LV138ANS-EL	KLM-2083	30
324021015	IC SN74LV08ANS-EL	KLM-2083	10
324021016	IC SN74LV32ANS-EL	KLM-2083	10
324036008	IC PCM1716E/2K	KLM-2083	260
324036009	IC PCM1800E/2K	KLM-2083	330
324039001	IC KM416C1200BJ-6	KLM-2083	550
324039003	IC KM48C2104CK-6T/L6T	KLM-2083	550
330001400	PHOTO COUPLER PC-910K	KLM-2084	100
334000500	SB COIL SBT-0260 TF	KLM-2084	20
335005600	CRYSTAL OSC. AT-49 16.0MHZ	KLM-2083	70
335005600	CRYSTAL OSC. AT-49 16.0MHZ	KLM-2089	70
335006500	CRYSTAL OSC. AT-49 24.576MHZ	KLM-2083	70
335010700	CRYSTAL OSC. HC-49US 7.00MHZ	KLM-2083	40
350002210	SEMI FIXED VR RH0615C13J8WA	KLM-1828	10
350002410	SEMI FIXED VR RH0615C15 100K	KLM-1828	10
360024500	VR RK11K1140ADWA 10KB(SPECIAL)	KLM-1511/12	50
362007500	VR RK09K1110BJFA-10KB	KLM-2084	30
362009007	VR RK11K1140AJ08	KLM-2086	50
362009007	VR RK11K1140AJ08	KLM-2085	50
362009015	VR RK09K12ACO	KLM-2084	70
365007800	SLIDE VR RS30111AC00NB 10KB	KLM-2085	50
365009500	SLIDE VR EWA NA0C10B14 10KB	KLM-2085	50
370005000	REC EC11B15204A5	KLM-2086	140
373009000	SLIDE SW SSSS928400	KLM-2084	40
373009300	SLIDE SW ESD-11V121	KLM-2083	30
374000600	TOUCH SW EVQ11A09K	KLM-2086	10
374000600	TOUCH SW EVQ11A09K	KLM-2085	10
375010900	TOUCH SW EVQPAC07K	KLM-1827	10
375012500	POWER SW SDDF3-1A-2	M.PART	110
400015700	POWER TRANSFORMER T-130-1	KLM-2091	330
402002800	COIL 2943-666671	KLM-1935	30
402400200	COIL SBCP-8015H	KLM-2091	60
404000500	CHIP SOLID INDUCTOR BLM21B102SPT TS	KLM-2083	10
404000500	CHIP SOLID INDUCTOR BLM21B102SPT TS	KLM-2089	10
415003200	BUZZER CB-12AP-03	KLM-2091	40
415003700	KX-7100 SENSOR 1	M.PART	560
420004800	KEYBOARD FS-61 KG2	M.PART	10,920
430008459	F.D TNFD-00P/01P	M.PART	210
435002200	FDD DF354H912C	M.PART	2,200
450003100	PHONE JACK LGR4609-7000	KLM-2084	20
450003100	PHONE JACK LGR4609-7000	KLM-1935	20
454005600	PHONE JACK YKB21-5006	KLM-2084	50
464400100	FUSE 125V 1A 251001 T-26	KLM-2091	60
471071501	CONNECTOR TOP B15B-PH-K-S(U)	KLM-2089	10
471101040	CONNECTOR TOP SC25-04WS	KLM-2091	10
471101050	CONNECTOR TOP SC25-05WS	KLM-2084	10
471101050	CONNECTOR TOP SC25-05WS	KLM-2083	10
471102030	CONNECTOR TOP SJ20-03WX	KLM-2084	10
471102030	CONNECTOR TOP SJ20-03WX	KLM-2091	10
471102030	CONNECTOR TOP SJ20-03WX	KLM-1935	10

Parts code	Parts name and Specification	PCB No.	Unit Price(Yen)
471102050	CONNECTOR TOP SJ20-05WX	KLM-2083	10
471102050	CONNECTOR TOP SJ20-05WX	KLM-2084	10
471102060	CONNECTOR TOP SJ20-06WX	KLM-2085	10
471102060	CONNECTOR TOP SJ20-06WX	KLM-2084	10
471102060	CONNECTOR TOP SJ20-06WX	KLM-2083	10
471102060	CONNECTOR TOP SJ20-06WX	KLM-2089	10
471102070	CONNECTOR TOP SJ20-07WX	KLM-2089	10
471102070	CONNECTOR TOP SJ20-07WX	KLM-2083	10
471102080	CONNECTOR TOP SJ20-08WX	KLM-2083	10
471102090	CONNECTOR TOP SJ20-09WX	KLM-2083	10
471102100	CONNECTOR TOP SJ20-10WX	KLM-2089	10
471102110	CONNECTOR TOP SJ20-11WX	KLM-2086	10
471102110	CONNECTOR TOP SJ20-11WX	KLM-2085	10
471102110	CONNECTOR TOP SJ20-11WX	KLM-2089	10
471102120	CONNECTOR TOP SJ20-12WX	KLM-2091	10
471102120	CONNECTOR TOP SJ20-12WX	KLM-2089	10
471102120	CONNECTOR TOP SJ20-12WX	KLM-2085	10
471102120	CONNECTOR TOP SJ20-12WX	KLM-2083	10
471102140	CONNECTOR TOP SJ20-14WX	KLM-2083	10
471102140	CONNECTOR TOP SJ20-14WX	KLM-2089	10
471102140	CONNECTOR TOP SJ20-14WX	KLM-2084	10
471102150	CONNECTOR TOP SJ20-15WX	KLM-2089	10
471102150	CONNECTOR TOP SJ20-15WX	KLM-2085	10
471102160	CONNECTOR TOP SJ20-16WX	KLM-2089	10
471102160	CONNECTOR TOP SJ20-16WX	KLM-2086	10
472092060	CONNECTOR SIDE SJ20-06WM	KLM-1828	10
472092090	CONNECTOR SIDE SJ20-09WM	KLM-1828	10
472093150	CONNECTOR SIDE SB20-15WL	KLM-1827	10
474020600	CONNECTOR 52080-0510	KLM-1828	30
474021000	CONNECTOR 34P 5332-34T2	KLM-2083	60
474021200	CONNECTOR 40P 5332-40GS1	KLM-2083	90
474021300	DIN CONNECTOR TC7927-28-401	KLM-2084	60
474028600	CONNECTOR IL-G-4P-S3T2-SA	KLM-2091	20
474028700	CONNECTOR 08FDZ-ST-BHL	KLM-2085	50
474028800	CONNECTOR 008370-141-000-800	KLM-2091	40
474028900	SIMM CONNECTOR 52706-7220	KLM-2083	160
475002197	HARNESS HNS-2197 (BOARD IN)	KLM-1827	40
475002198	HARNESS HNS-2198 (BOARD IN)	KLM-1511/12	40
475002550	HARNESS HNS-2550	M.PART	60
475002761	HARNESS HNS-2761	M.PART	40
475002762	HARNESS HNS-2762	M.PART	40
475002763	HARNESS HNS-2763	M.PART	50
475002764	HARNESS HNS-2764	M.PART	20
475002765	HARNESS HNS-2765	M.PART	40
475002766	HARNESS HNS-2766	M.PART	40
475002767	HARNESS HNS-2767	M.PART	50
475002768	HARNESS HNS-2768	M.PART	70
475002769	HARNESS HNS-2769	M.PART	80
475002770	HARNESS HNS-2770	M.PART	60
475002771	HARNESS HNS-2771	M.PART	110
475002772	HARNESS HNS-2772	M.PART	70
475002773	HARNESS HNS-2773	M.PART	80
475002774	HARNESS HNS-2774	M.PART	40
475002775	HARNESS HNS-2775	M.PART	90
475002776	HARNESS HNS-2776	M.PART	90
475002777	HARNESS HNS-2777	M.PART	130
475002778	HARNESS HNS-2778	M.PART	90

Parts code	Parts name and Specification	PCB No.	Unit Price(Yen)
475002779	HARNESS HNS-2779	M.PART	60
475002780	HARNESS HNS-2780	M.PART	630
475002811	HARNESS HNS-2811	KLM-1935	10
475002812	HARNESS HNS-2812	M.PART	60
475002813	HARNESS HNS-2813	M.PART	60
475002825	HARNESS HNS-2825	M.PART	30
475008054	HARNESS HNS-8054	M.PART	10
480010380	DIN JACK YKF51-5041 (3P)	KLM-2084	110
500018500	RUBBER FOOT FF-001	M.PART	10
500024000	X-410 SPONGE SPACER KOC-F40666	M.PART	10
525001300	FERRITE CORE NFT-25	M.PART	80
540007200	WIRE BAND PLT-1M	M.PART	10
540008601	SPIRAL CLIP CS-6	M.PART	10
540020200	INLET SOCKET SS-7B	M.PART	30
540023800	PLASTIC SUPPORT PS-312	M.PART	10
540023900	CIRCUIT BOARD SPACER MSPLS-6	M.PART	10
575016700	LED SPACER LH-3-2	KLM-1827	10
575018400	LED SPACER LH-5-4.5 L=4.5MM	KLM-2086	10
580026000	SERVICE MAN CAUTION 3		10
600005100	AC CORD KP-610 GTBS-3 KS-31AY	M.PART UK	830
600005300	AC CORD DC-480-J01	M.PART JP	210
600005400	AC CORD EC-652-E03	M.PART FR	280
600005400	AC CORD EC-652-E03	M.PART GE	280
600005400	AC CORD EC-652-E03	M.PART WG	280
600005700	AC CORD UC-953-J01	M.PART EX	210
600005700	AC CORD UC-953-J01	M.PART CN	210
600005700	AC CORD UC-953-J01	M.PART US	210
600005800	AC CORD SC-111-J01	M.PART AU	250
620024600	X-952 POWER SW KNOB E40304-2	M.PART	20
620034400	X-610 2-LINKAGE B-2-GR	M.PART	40
620034500	X-610 2-LINKAGE A-2-GR	M.PART	40
620034600	X-631 SVR KNOB E40239-6	M.PART	10
620034700	X-610 ENCODER KNOB E40466-2	M.PART	30
620034800	X610 CONTROL KNOB ASSY	M.PART	60
620034900	X610 2-LINKAGE KNOB A-1-GR	M.PART	20
620035000	X610 2-LINKAGE KNOB B-1-GR	M.PART	20
620035100	4-LINKAGE KNOB B-1-LG E20180	M.PART	10
620035200	4-LINKAGE KNOB A-1-LG E20180	M.PART	10
620035300	4-LINKAGE KNOB A-2-LG	M.PART	20
620035900	KNOB P422-9PF(D.GR/W)	M.PART	10
641039100	X-181 KBF ANGLE 2 KOC-C30405-2	M.PART	130
641039700	X-115 METAL FITTING OF POWER SW	M.PART	70
641041277	X-513/4/5 JACK PLATE 4 C41053	M.PART	40
641041326	X-313 FRS ANGLE KOC-C41058	M.PART	40
641041436	GND PLATE M1866-A KOC-C40884-2	KLM-1935	10
641041479	X-013 JACK PLATE 5 KOC0C41132	KLM-2084	40
641041528	X-7100/7110 PCB BOX KOC-C10209	M.PART	390
641041529	X-7100/7110 KB SUPPORT C30528	M.PART	60
641041530	X-7100/7110 OP PLATE C41143	M.PART	20
641041532	X-7100/7110 OP COVER 1 C30526	M.PART	110
641041533	X-7100/7110 OP COVER 2 C30527	M.PART	120
641041534	X-7100/7110 LCD ANGLE C41145	M.PART	20
641041536	X-7100 PANEL KOC-C10204	M.PART	3,360
641041541	X181 KB ANGLE 3 KOC-30405-3	M.PART	120
641041542	X-7100 BOTTOM COVER KOC-C10207	M.PART	1,090
644006200	X-011/012 WHEEL SPRING C40848	M.PART	10
646038900	X-011/012 JOYSTICK FRAME	M.PART	40

Parts code	Parts name and Spesfication	PCB No.	Unit Price(Yen)
646039000	X-011/012 VR PLATE KOC-E40309	M.PART	20
646039100	X-011/012 WHEEL SUPPORT E40308	M.PART	20
646039200	X-011/012 JOYSTICK LEVER	M.PART	30
646070200	X-7100/7110 SIDE PANEL L	M.PART	340
646070300	X-7100/7110 SIDE PANEL R	M.PART	340
646070400	X-7100/7110 JS PANEL E10166	M.PART	210
646070500	X-7100/7110 LCD HOOD E10167	M.PART	130
646070600	X-7100 FRONT BAR KOC-E40476-1	M.PART	370
646071100	X-610 ENCODER FRAME E40467-2	M.PART	40
646071200	X-511/2 JS COVER E20134-4	M.PART	40
646071300	X-511/2 JS WHEEL E30148-4	M.PART	30
646071400	SVR FRAME ASSY 30LG	M.PART	40