

UCL SERIES CANOPY

Cat. #		Approvals
Job	Type	



- Modular design for flexibility and upgrade to meet changing lighting codes
- Die-cast construction for long-term durability and cooling; double canopy gaskets seal above and below for "no leak" installation
- Tool-free, positive optical latching for reliable sealing and easy on-ground relamping with standard changers
- Adjustable reflectors standard with 8 lamp shielding combinations, and easy optical assembly replacement from below
- Optical assemblies provide below canopy installation capability and tool-free hinged ballast cover
- Mogul base ED-28 lamp included with pulse-rated porcelain sockets
- CWA type HPF ballast, starting rated at -20°
- TGIC thermoset polyester powder paint (white is standard)
- IDA approved UC03 full cut-off optic
- U.S. Patent No. D444,903, 6,394,628, 7,252,415, 6,332,695, 6,525,890 and 6,454,444

Note: Not suitable for double deck canopies or enclosed ceiling applications



ORDERING INFORMATION

UCL	-	[]	-	[]	-	P	-	[]	-	[]
SERIES	OPTICS	WATTAGE	SOURCE	VOLTAGE	OPTIONS					
UCL Under Canopy Luminaire	Digit left blank when ordering UC01 non-cut-off high verticals 2 UC02 optics - sag glass - cut-off 3 UC03 optics - flat glass - full cut-off	100 100w (ED-28) 150 150w (ED-28) 250 250w (ED-28) 320 320w (ED-28) 350 350w (ED-28) 400 400w (ED-28)	P Pulse Start Metal Halide	5 480V 6¹ 120/277/347V 8¹ 120/208/240/277V E¹ 220/240V, 50Hz	BZ Bronze powder paint B Black powder paint					

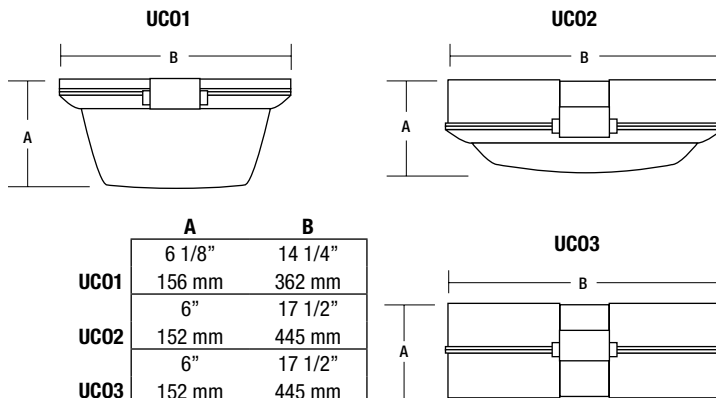
1 Factory wired for highest voltage unless specified

Note: Due to our ongoing improvement program, specifications and design are subject to change without notice

Note: For 50Hz systems, please consult factory

ACCESSORIES - Order Separately

Catalog Number	Description
UCK-1	Two support rails for weak canopies or below installations in roofed, double deck canopies
UCL-HS	Internal house-side shield for UC01 optic: order 1 each for 190° or 2 each for 290° or 360° shielding
UCL-LC	ED-28 lamp changer with three 5-foot pole sections
UC01	White replacement optical assembly (add BZ for bronze or B for black) - Non-cut-off
UC02	White replacement optical assembly (add BZ for bronze or B for black) - Cut-off
UC03	White replacement optical assembly (add BZ for bronze or B for black) - Full-cut-off
UCL-template	Order one free installation template per standard canopy job (Non-UCT retrofit installations)



ORDERING INFORMATION

ORDERING EXAMPLE

UCL - 2 - 320 - P - 8 - DB
 | | | | | |
 Series Optics Source/Wattage Ballast Type Voltage Options

SERIES - UNDER CANOPY

UCL	Deep Drop Lens
-----	----------------

SOURCE/WATTAGE

100	100w (ED-28)
150	150w (ED-28)
175	175w (ED-28)
250	250w (ED-28)
320	320w (ED-28)
350	350w (ED-28)
400	400w (ED-28)

BALLAST TYPE

P	Pulse Start Metal Halide
---	--------------------------

OPTIONS

F1	Fuse 120V
F2	Fuse 208V
F3	Fuse 240V
F4	Fuse 277V
F5	Fuse 480V
F6	Fuse 347V
BL	Black optical assembly
DB	Bronze optical assembly
R	Two 15/34" rails for canopy support

OPTICS

	Digit left blank when ordering UC01
2	UC02 Optics - sag glass
3	UC03 Optics - flat glass

VOLTAGE

5	480V
6 ¹	Tri-Tap 120/277/347V
8 ¹	Quad-Tap® 120/208/240/277V
E ¹	220/240V 50Hz

¹ Factory wired for highest voltage unless specified.

NOTE: Due to our ongoing improvement program, specifications and design are subject to change without notice.

PHOTOMETRIC REPORTS

Catalog Number	Report #
UCL-400PX	HP08479.IES
UCL-320PX	HP08246.IES

Due to our continued efforts to improve our products, product specifications are subject to change without notice.



Outdoor Lighting

Hubbell Outdoor Lighting • 701 Millennium Boulevard • Greenville, SC 29607 • PHONE: 864-678-1000

For more information visit our web site: www.hubbelloutdoor.com