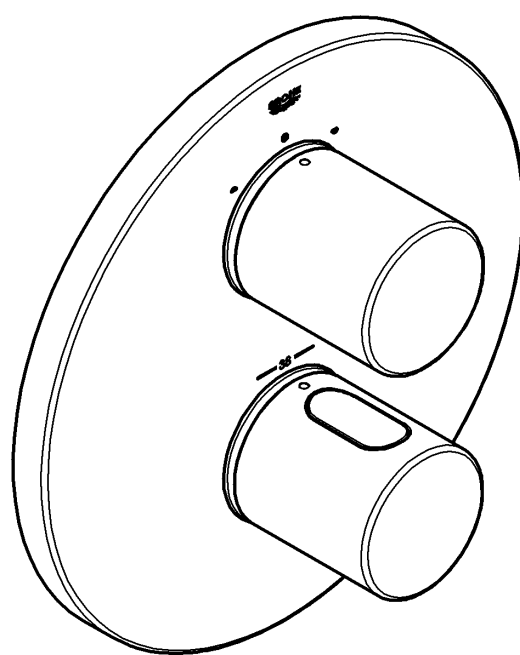


19 468
19 963 (UK)



Grohtherm 3000 Cosmopolitan

Grohtherm 3000 Cosmopolitan

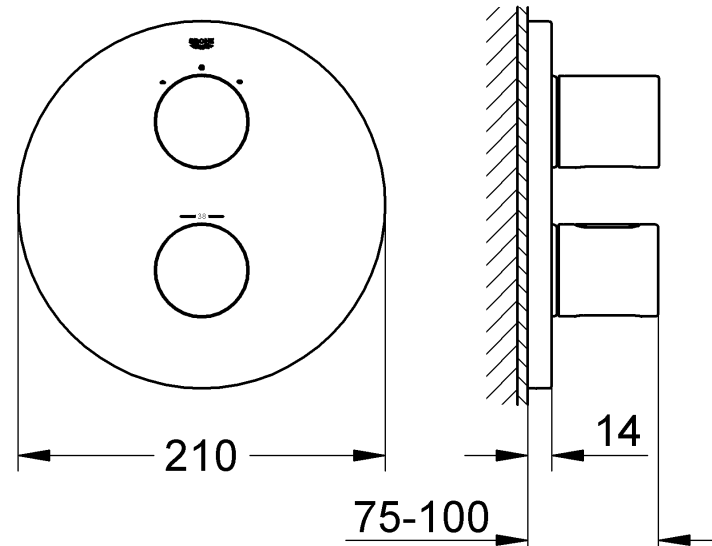
Ⓓ1 Ⓘ5 Ⓝ9 ⒼⓇ13 ⓉⓇ17 ⒷⒼ21 ⓇⓄ25
ⒼⒷ2 ⓃⓁ6 ⒻⒾⓃ10 ⒸⓏ14 ⓈⓀ18 ⒺⓈⓉ22 ⒸⓃ26
Ⓕ3 Ⓢ7 ⓅⓁ11 Ⓡ15 ⓈⓁⓄ19 ⓁⓋ23 ⓇⓊⓈ27
Ⓔ4 ⒹⓀ8 ⓊⒶⒺ12 Ⓟ16 ⓇⓇ20 ⓁⓉ24

Design + Engineering GROHE Germany

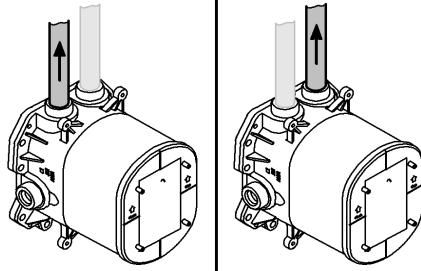
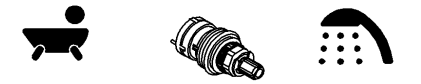
96.516.131/ÄM 228372/08.13

GROHE
ENJOY WATER®

19 468
19 963 (UK)

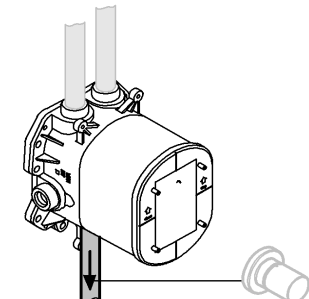


3 bar



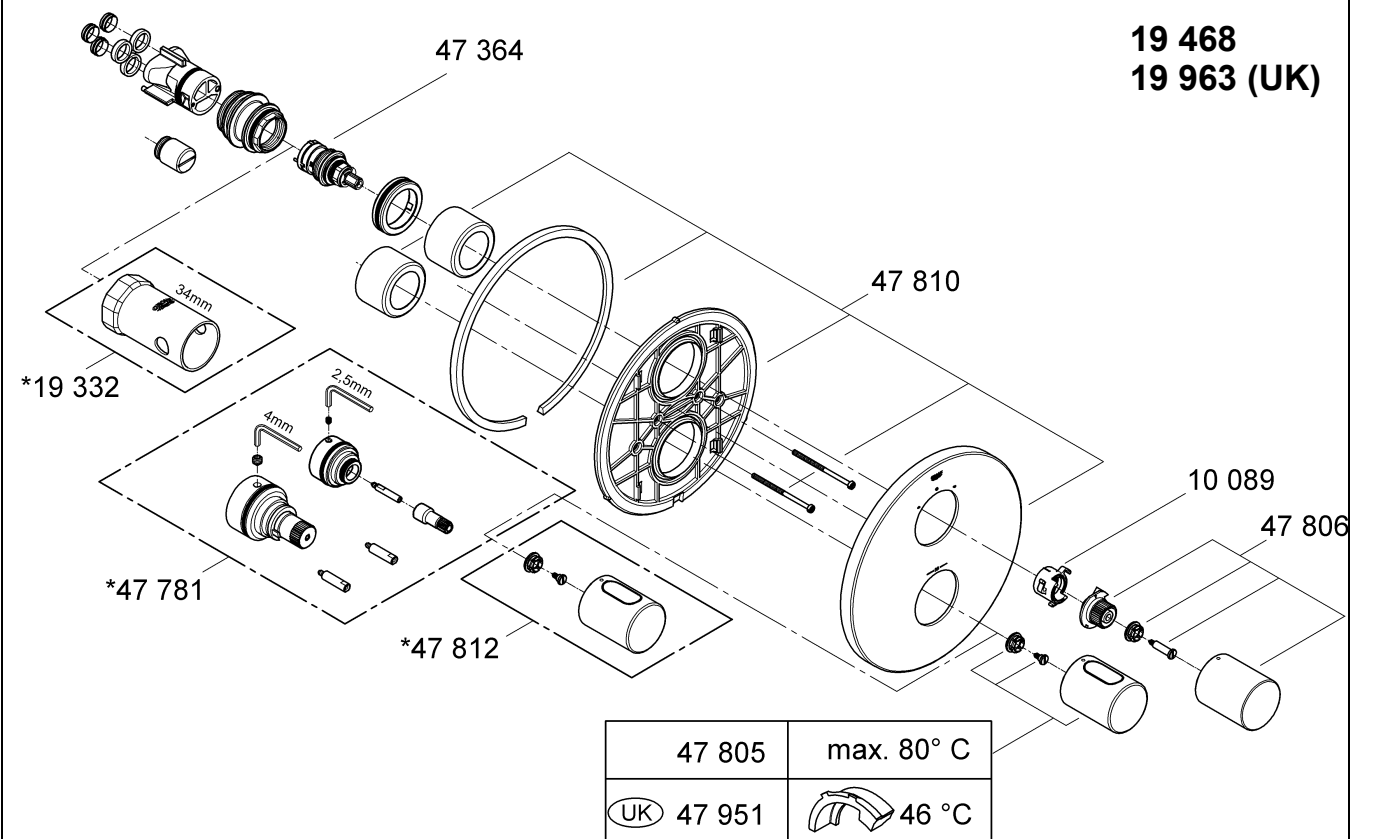
30 l/min

24 l/min



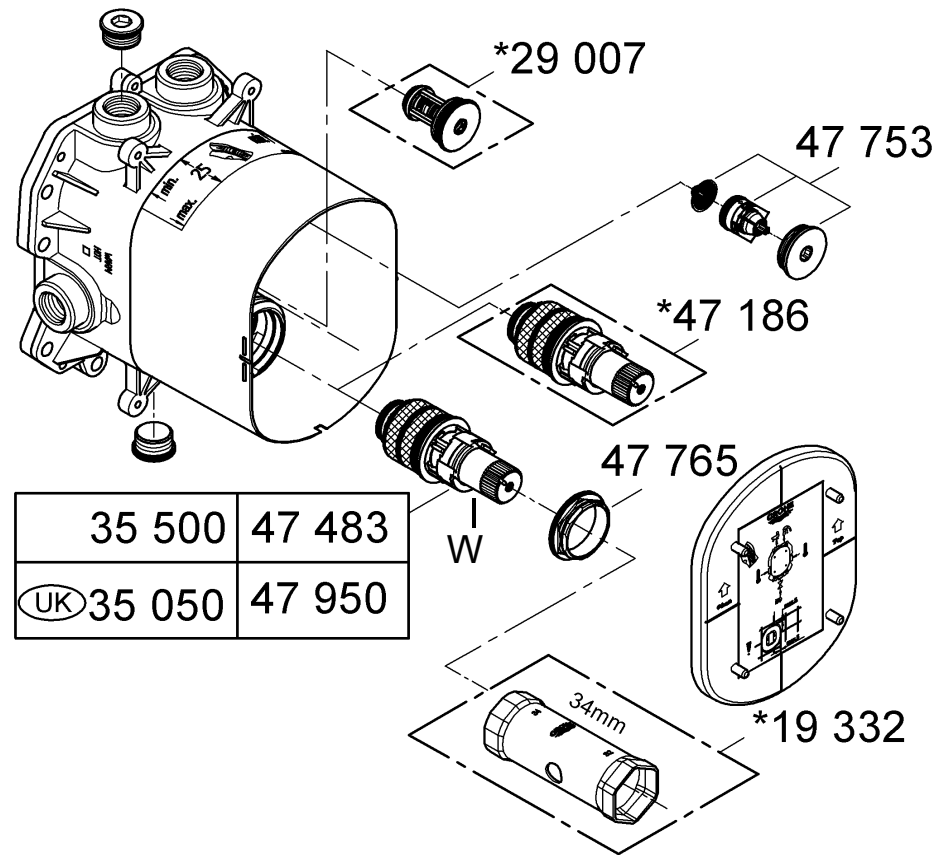
50 l/min

19 468
19 963 (UK)



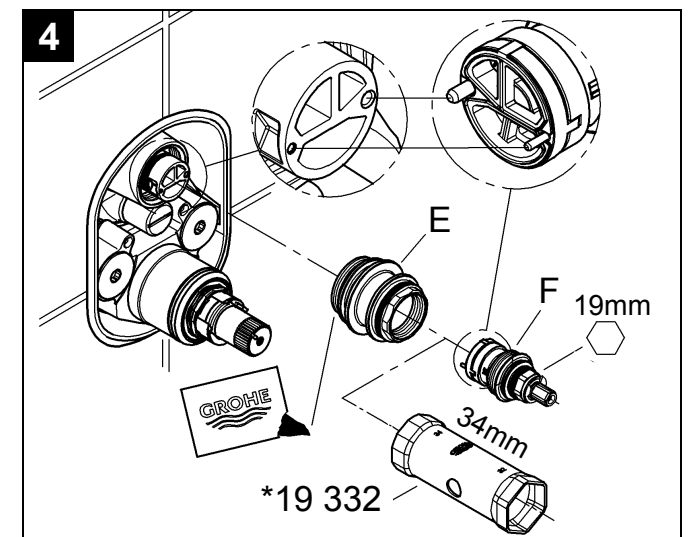
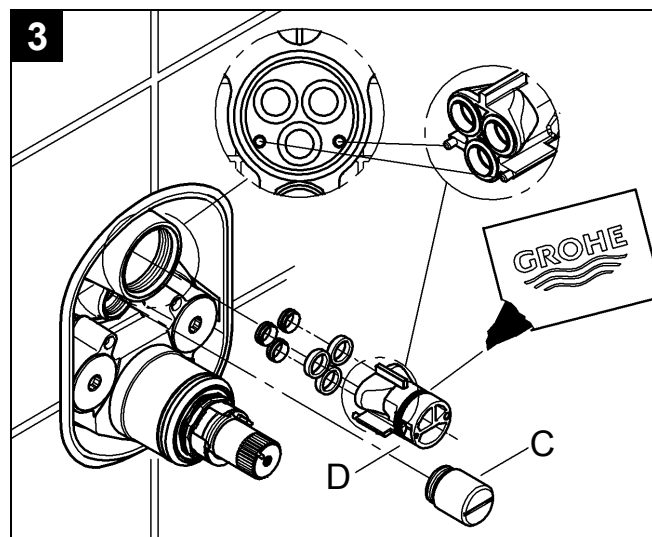
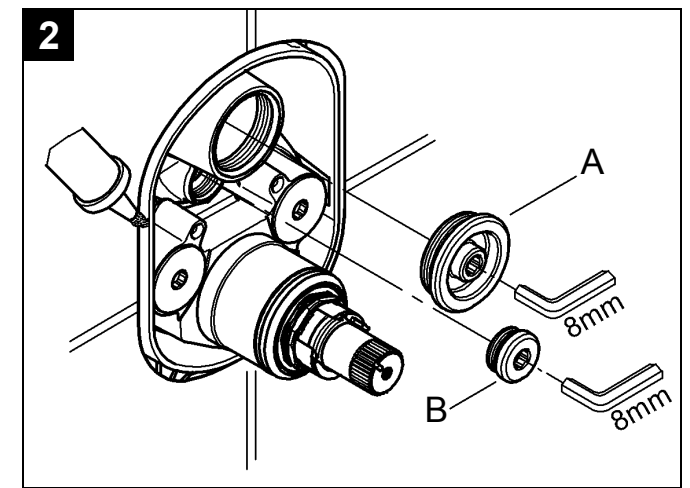
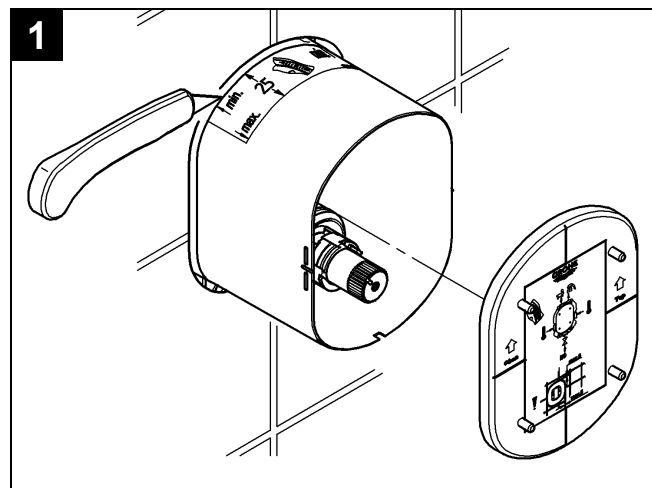
47 805	max. 80° C
UK 47 951	46 °C

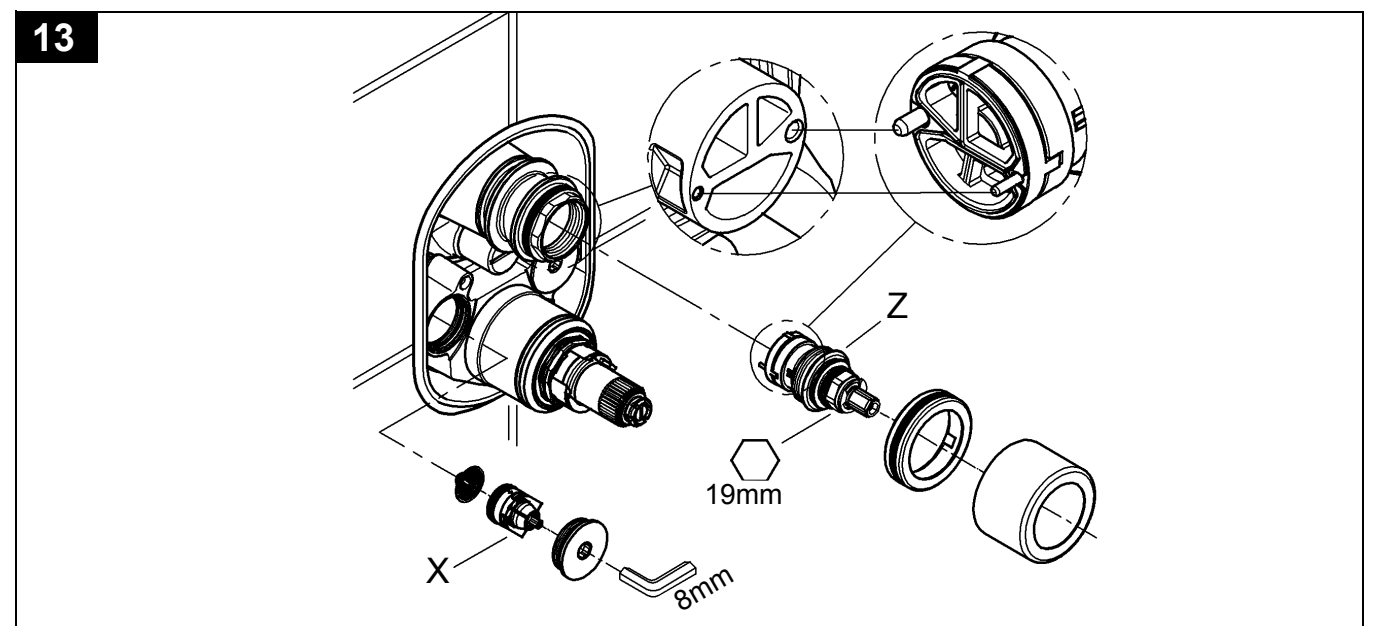
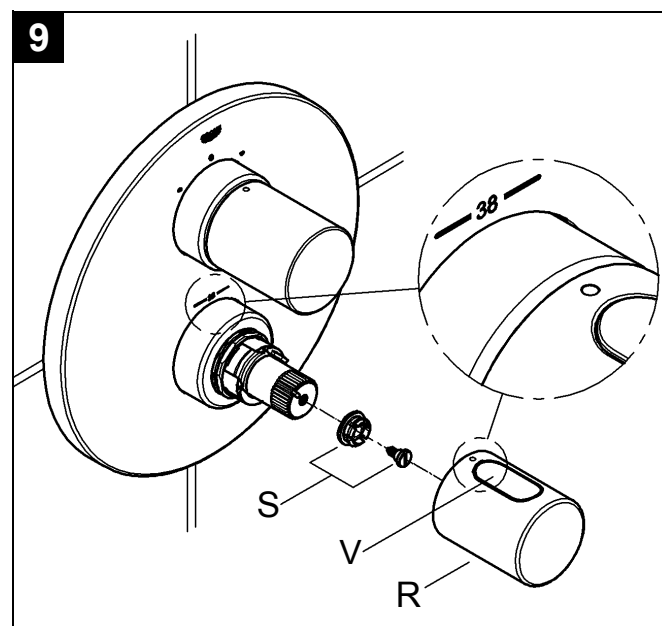
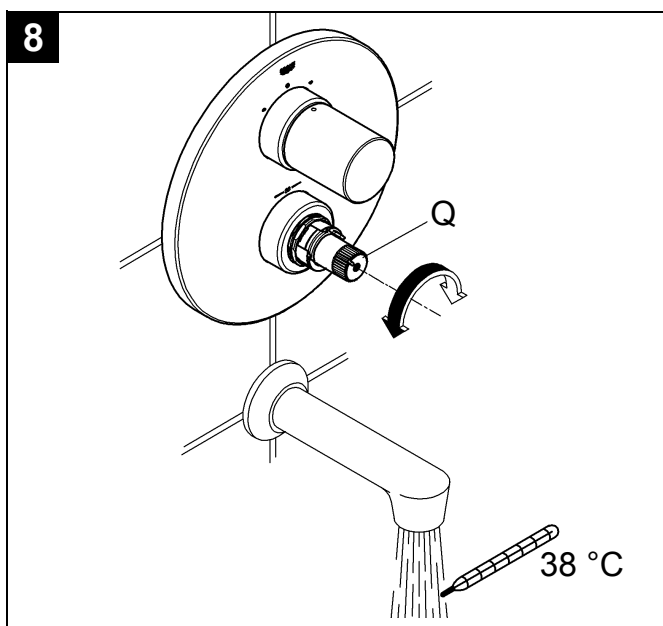
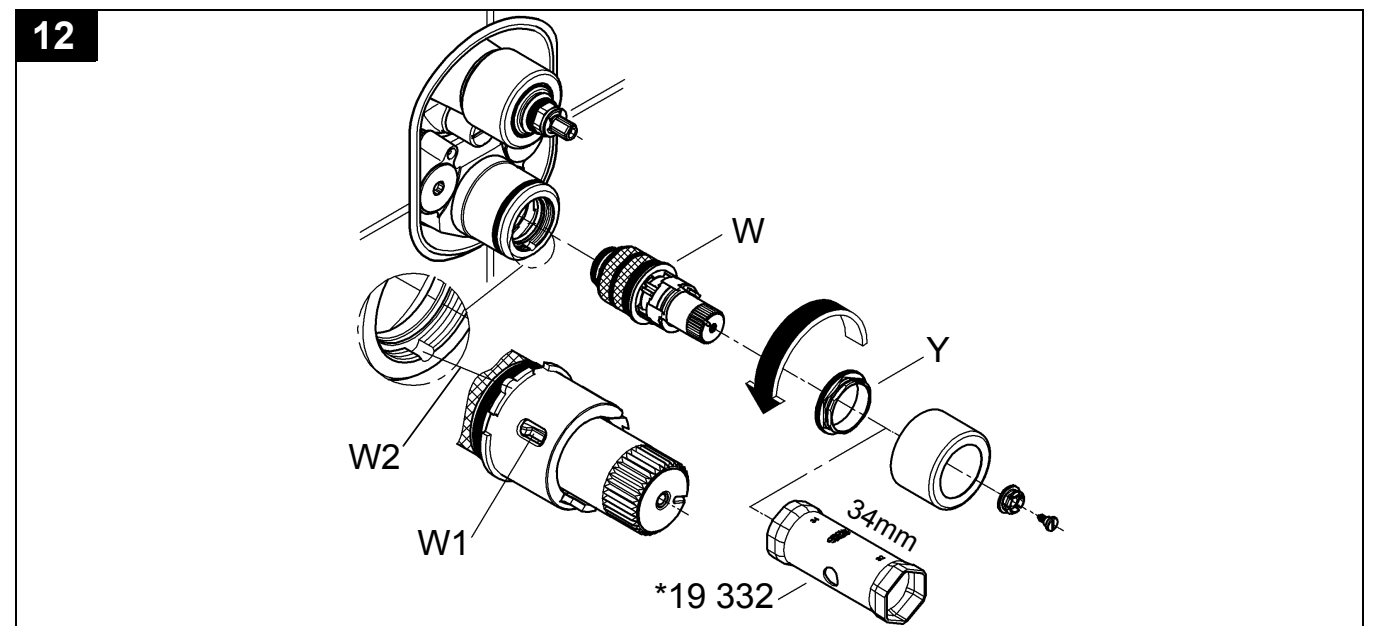
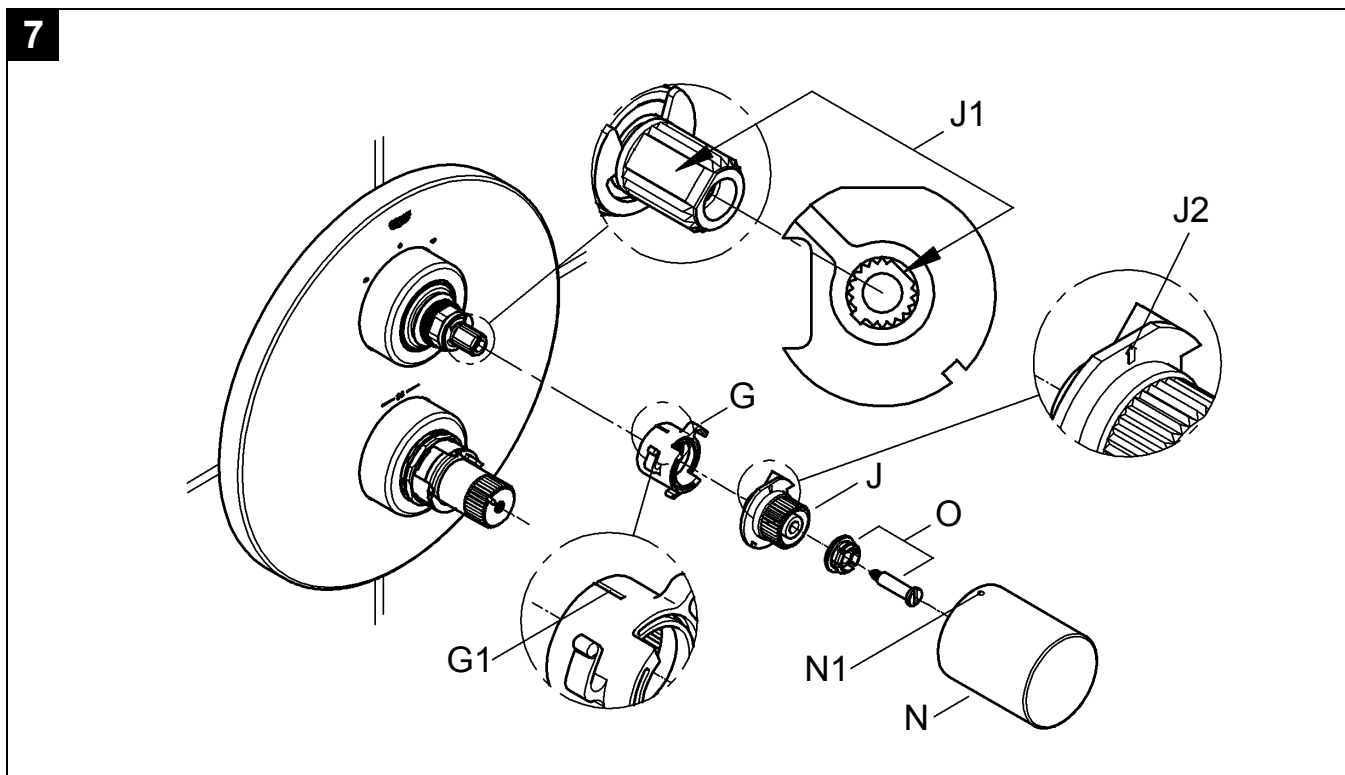
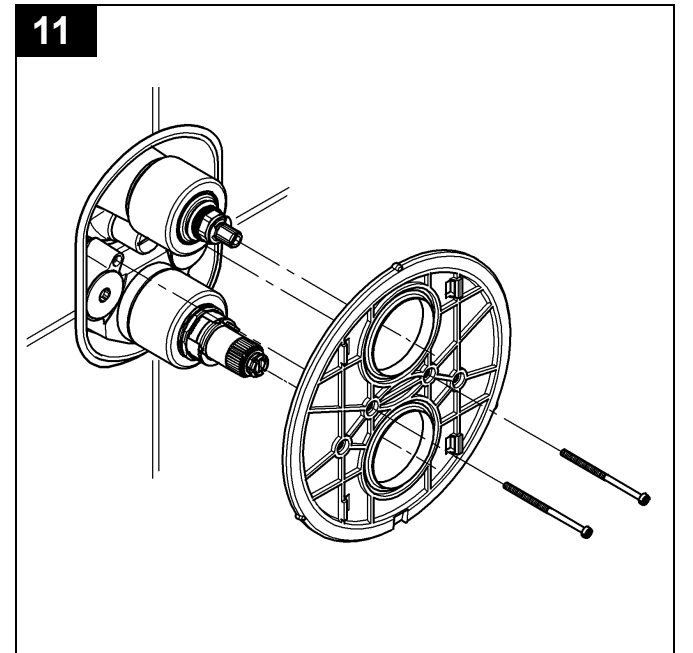
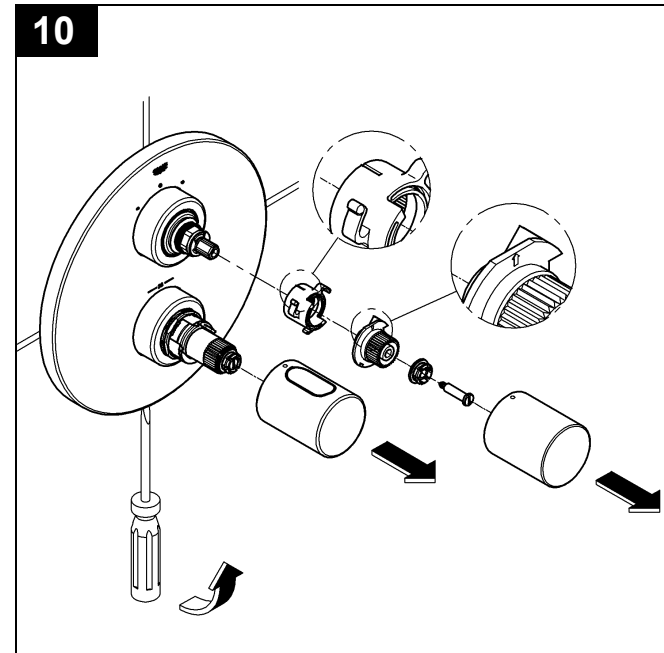
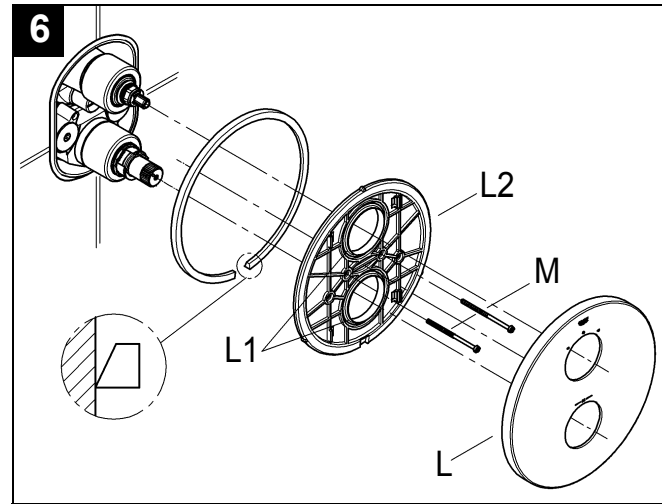
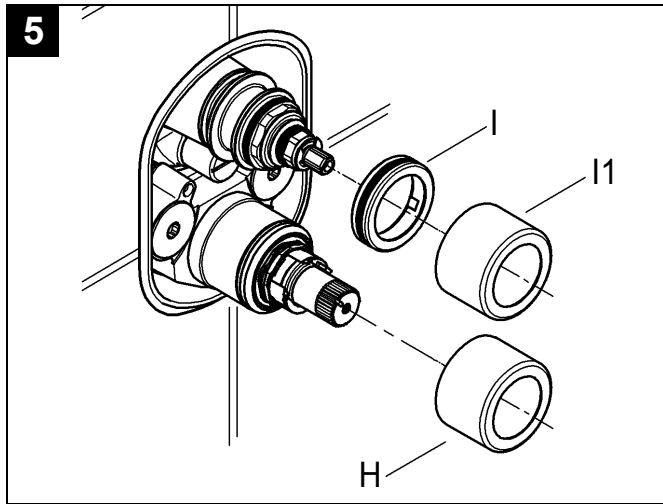
35 500
35 050 (UK)



35 500	47 483
UK 35 050	47 950

Bitte diese Anleitung an den Benutzer der Armatur weitergeben!
Please pass these instructions on to the end user of the fitting.
S.v.p remettre cette instruction à l'utilisateur de la robinetterie!





GB

Installation

! Always take care with the concealed mixer housing, see fold-out page I.

- Plaster and tile the wall, excluding the area occupied by the mounting template. Seal any apertures in the wall so that they are watertight to spray water.
- Seal prefabricated walls with a permanently plastic compound.

Installation of functional elements, see fold-out page I, Figs. [1] to [4].

Shut off cold and hot water supplies.

1. Remove the mounting template, see fold-out page I, Fig. [1].
2. Unscrew closure plug (A) and plug (B), see Fig. [2].
3. Screw in sound absorber (C), see Fig. [3].
4. Grease O-ring of race (D) with the special grease supplied. Install race (D); there is only one possible position, see detail, Fig. [3].
5. Grease O-ring of adapter (E) with the special grease supplied. Fasten adapter (E), see Fig. [4].
6. Install Aquadimmer (F); there is only one possible position, see detail, Fig. [4].

Open cold and hot-water supply and check connections for water-tightness.

Installation of escutcheon (L) and shut-off handle (N), see fold-out page II, Figs. [5] to [7].

1. Attach sleeve (H), bracket (I) and sleeve (I1), see fold-out page II, Fig. [5].
2. Grease seals (L1) of escutcheon mounting base (L2) with the special grease supplied, push on escutcheon mounting base (L2) and fasten with screws (M), see Fig. [6].
3. Attach escutcheon (L).
4. Attach stop ring (G) so that marking (G1) is at the top, see Fig. [7].
5. Attach splined adapter (J); the faces (J1) coincide in only one position and turn splined adapter (J) so that the arrow (J2) points upwards.
6. Screw in mounting set (O).
7. Attach shut-off handle (N) so that marking (N1) is at the top.

If the thermostat has been installed at too great a depth, this can be increased by 27.5mm with an extension set (see Replacement parts, fold-out page I, Prod. no.: 47 781).

Operating shut-off handle (N)

Shut-off handle in central position	= closed
Turn shut-off handle clockwise	= discharge from spout
Turn shut-off handle anti-clockwise	= discharge from shower

Reversed connection (hot on right - cold on left).

Replace thermostatic compact cartridge (W), see Replacement parts, fold-out page I, Prod. no.: 47 186 (3/4").

Adjusting

Installation of the temperature control handle (R) and temperature adjustment, see fold-out page II, Figs. [8] and [9].

- Before the mixer is put into service, if the mixed water temperature measured at the point of discharge varies from the specified temperature set on the thermostat.
 - After any maintenance operation on the thermostatic cartridge.
1. Open the shut-off valve and check the temperature of the water with a thermometer, see Fig. [8].
 2. Turn the regulating nut (Q) clockwise or anticlockwise until the water temperature reaches 38 °C.
 3. Screw in mounting set (S), see Fig. [9].
 4. Install temperature control handle (R) so that button (V) is at the top.

Temperature limitation

The safety stop limits the temperature range to 38 °C. If a higher temperature is desired, the 38 °C limit can be overridden by pressing button (V), see Fig. [9].
19 468: max. 80 °C
19 963 (UK): max. 46 °C

Temperature end stop [not for 19 963 (UK)]

If the temperature end stop is at 43 °C, use handle with Prod. no.: 47 812 (see Replacement parts fold-out page I).

Prevention of frost damage

When the domestic water system is drained, thermostats must be drained separately, since non-return valves are installed in the hot and cold water connections.

The complete thermostat assemblies and non-return valves must be unscrewed and removed.

Maintenance

Inspect and clean all parts, replace as necessary and lubricate with special grease.

Shut off cold and hot water supplies.

I. Thermostatic compact cartridge (W), see fold-out page II, Figs. [10], [11] and [12].

- Loosen screw ring (Y) using a 34mm tool.
- If necessary, lever out thermostatic compact cartridge (W) via recess (W1).
- Unscrew screw ring (Y).

Assemble in reverse order.

Observe the correct installation position of thermostatic compact cartridge (W), see detail (W2).

Readjustment is necessary after every maintenance operation on the thermostatic cartridge (see Adjusting).

II. Non-return valve (X), see fold-out page II, Figs. [10], [11] and [13].

Assemble in reverse order.

Observe the correct installation positions.

III. Aquadimmer (Z), see fold-out page II, Figs. [10], [11] and [13].

Assemble in reverse order.

Observe the correct installation positions.

Replacement parts, see fold-out page I (* = special accessories).

Care

For directions on the care of this fitting, refer to the accompanying Care Instructions.

D
☎ +49 571 3989 333
impressum@grohe.de

A
☎ +43 1 68060
info-at@grohe.com

AUS
Argent Sydney
☎ +(02) 8394 5800
Argent Melbourne
☎ +(03) 9682 1231

B
☎ +32 16 230660
info.be@grohe.com

BG
☎ +359 2 9719959
grohe-bulgaria@grohe.com

CAU
☎ +99 412 497 09 74
info-az@grohe.com

CDN
☎ +1 888 6447643
info@grohe.ca

CH
☎ +41 448777300
info@grohe.ch

CN
☎ +86 21 63758878

CY
☎ +357 22 465200
info@grome.com

CZ
☎ +420 22509 1082
grohe-cz@grohe.com

DK
☎ +45 44 656800
grohe@grohe.dk

E
☎ +34 93 3368850
grohe@grohe.es

EST
☎ +372 6616354
grohe@grohe.ee

F
☎ +33 1 49972900
marketing-fr@grohe.com

FIN
☎ +358 10 8201100
teknocalor@teknocalor.fi

GB
☎ +44 871 200 3414
info-uk@grohe.com

GR
☎ +30 210 2712908
nsapountzis@ath.forthnet.gr

H
☎ +36 1 2388045
info-hu@grohe.com

HK
☎ +852 2969 7067
info@grohe.hk

I
☎ +39 2 959401
info-it@grohe.com

IND
☎ +91 124 4933000
customercare.in@grohe.com

IS
☎ +354 515 4000
jonst@byko.is

J
☎ +81 3 32989730
info@grohe.co.jp

KZ
☎ +7 727 311 07 39
info-cac@grohe.com

LT
☎ +372 6616354
grohe@grohe.ee

LV
☎ +372 6616354
grohe@grohe.ee

MAL
☎ +1 800 80 6570
info-singapore@grohe.com

N
☎ +47 22 072070
grohe@grohe.no

NL
☎ +31 79 3680133
vragen-nl@grohe.com

NZ
☎ +09/373 4324

P
☎ +351 234 529620
commercial-pt@grohe.com

PL
☎ +48 22 5432640
biuro@grohe.com.pl

RI
☎ +62 21 2358 4751
info-singapore@grohe.com

RO
☎ +40 21 2125050
info-ro@grohe.com

ROK
☎ +82 2 559 0790
info-singapore@grohe.com

RP
☎ +63 2 8041617

RUS
☎ +7 495 9819510
info@grohe.ru

S
☎ +46 771 141314
grohe@grohe.se

SGP
☎ +65 6 7385585
info-singapore@grohe.com

SK
☎ +420 22509 1082
grohe-cz@grohe.com

T
☎ +66 2610 3685
info-singapore@grohe.com

TR
☎ +90 216 441 23 70
GroheTurkey@grome.com

UA
☎ +38 44 5375273
info-ua@grohe.com

USA
☎ +1 800 4447643
us-customerservice@grohe.com

VN
☎ +84 8 5413 6840
info-singapore@grohe.com

AL **BiH** **HR** **KS**
ME **MK** **SLO** **SRB**
☎ +385 1 2911470
adria-hr@grohe.com

**Eastern Mediterranean,
Middle East - Africa
Area Sales Office:**
☎ +357 22 465200
info@grome.com

IR **OM** **UAE** **YEM**
☎ +971 4 3318070
grohedubai@grome.com

Far East Area Sales Office:
☎ +65 6311 3600
info@grohe.com.sg