

TECH SHEET - RETAIN FOR SERVICE TECHNICIAN ONLY



# WARNING

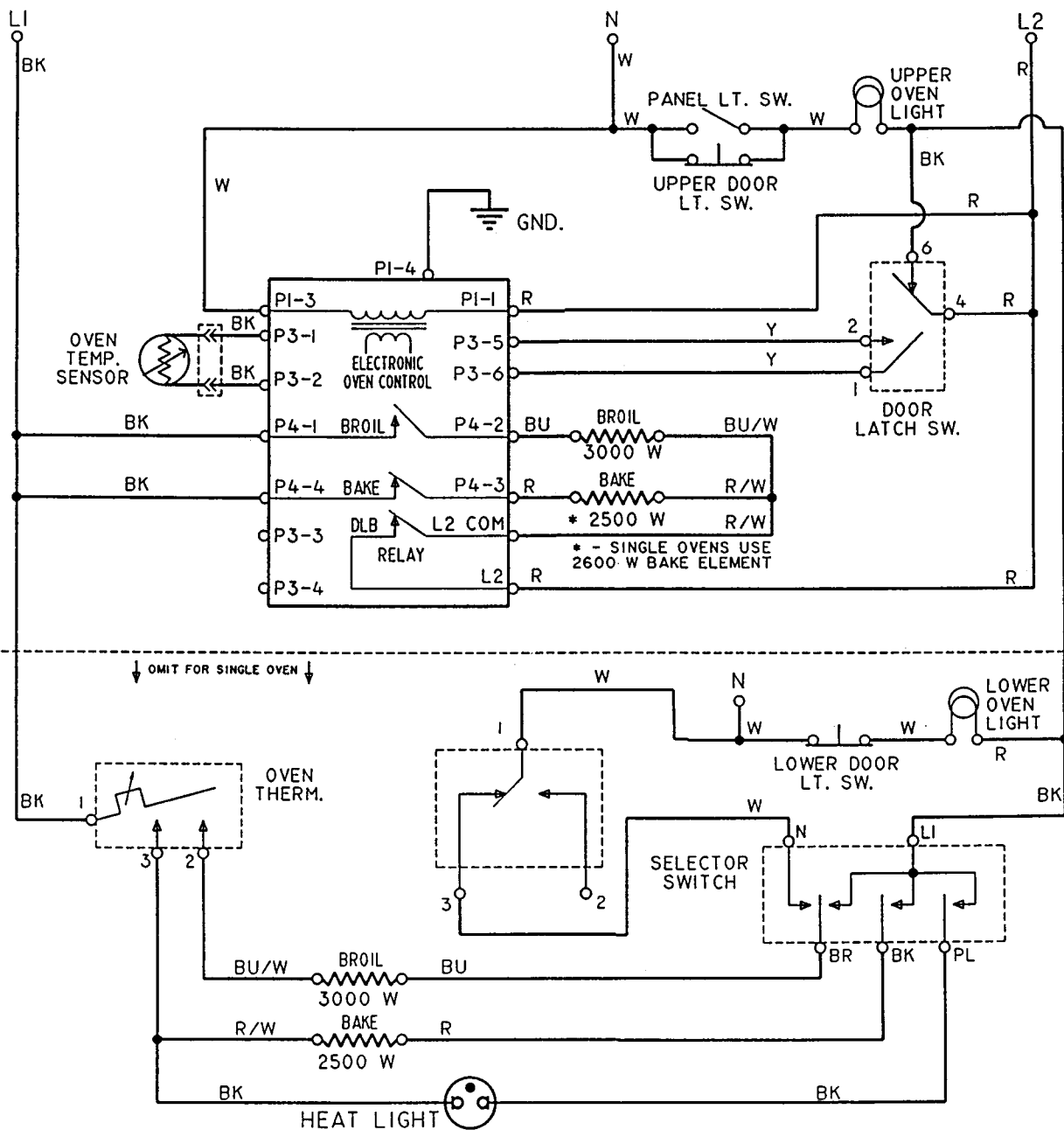
## Electrical Shock Hazard

Disconnect from electric supply before servicing. Failure to do so could result in serious injury or death.

MANUFACTURED UNDER ONE OR MORE OF THE FOLLOWING UNITED STATES LETTERS PATENTS:

3,659,578	3,877,460	4,467,184
3,788,300	4,102,322	4,565,967
3,832,988	4,364,589	4,613,739

**NOTE:** For single ovens, use upper oven circuits only.



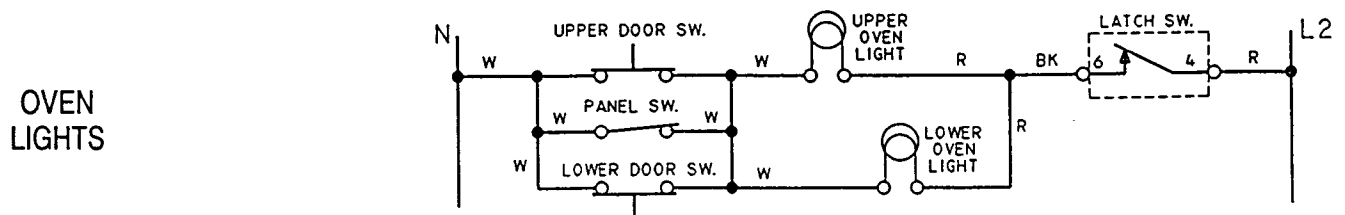
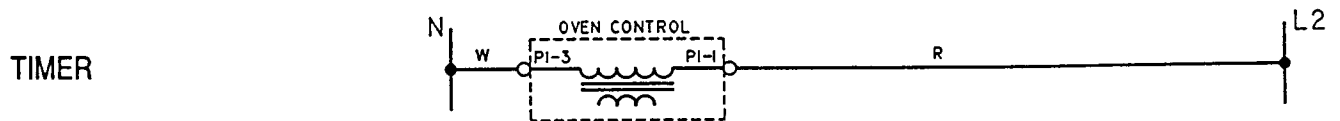
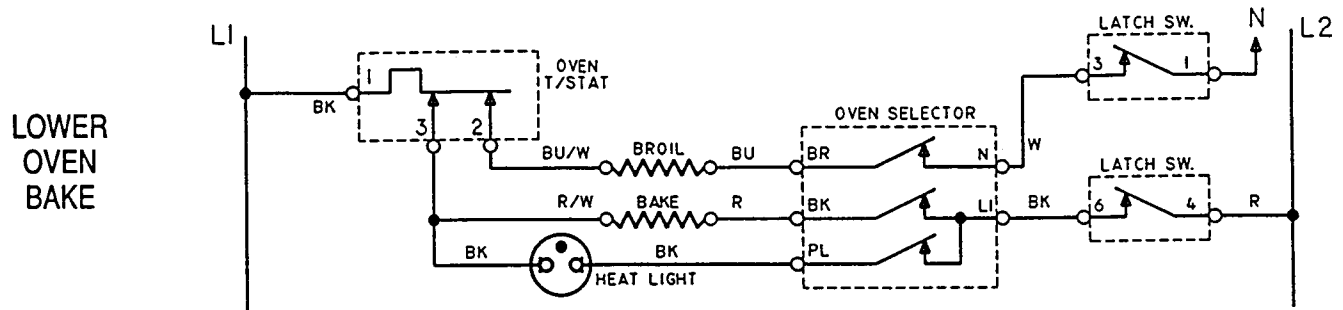
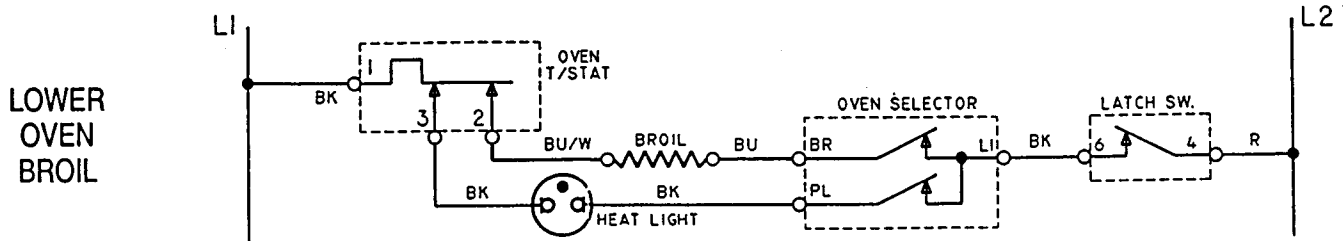
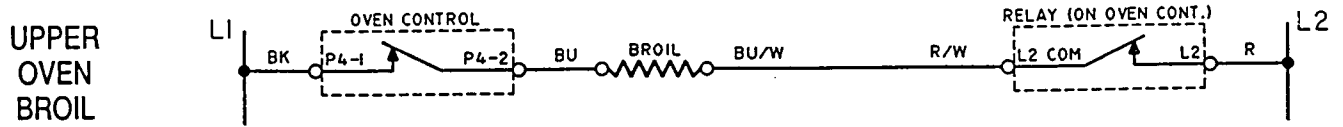
LOWER OVEN SWITCH OPERATION	
Position	Connection
OFF	NO CONNECTION
BAKE	L1-BK, L1-PL, N-BR
BROIL	L1-BR, L1-PL

UPPER OVEN RELAY LOGIC					
MODES	DLB	BA	BR	OV. LT.	
OFF	O	O	O	⊗	⊗ = ON OR OFF O = OFF X = ON
BAKE	X	X	X	⊗	
BROIL	X	O	X	⊗	
CLEAN	X	X	X	⊗	

11-93

## TECH SHEET - RETAIN FOR SERVICE TECHNICIAN ONLY

**Oven Circuits:** The following individual circuits are for use in diagnosis.  
Before starting diagnosis, check the line voltage and for blown fuses.



## TECH SHEET - RETAIN FOR SERVICE TECHNICIAN ONLY

**NOTE:**

1. All diagnoses of this range must begin with normal check of line voltage, blown fuses, and defective components.
2. All units that are defective the first few days of use should be checked for loose or miswiring.
3. All checks should be made with a meter having a sensitivity of 20,000 ohms per volt or greater.

**PROBLEM: Bake Temp Needs Adjustment**

The following procedure will allow the oven temperature to be increased or decreased in 5° increments, to a maximum of ± 35° F. The BROIL and CLEAN temperatures are not affected.

1. To enter the adjustment mode, press and hold the BAKE pad for at least four (4) seconds. The display will either show "00" or the current adjustment, such as "05" for plus 5 degrees, or "-05" for minus 5 degrees.
2. To increase oven temperature: Press the temperature UP arrow pad (▲).

3. To decrease oven temperature: Press the temperature DOWN arrow pad (▼).
4. Touch any function pad, like BROIL, to enter the new adjustment and exit the adjustment mode.

**FAILURE CODES**

These failure codes may be displayed and/or sounded during operation of the unit.

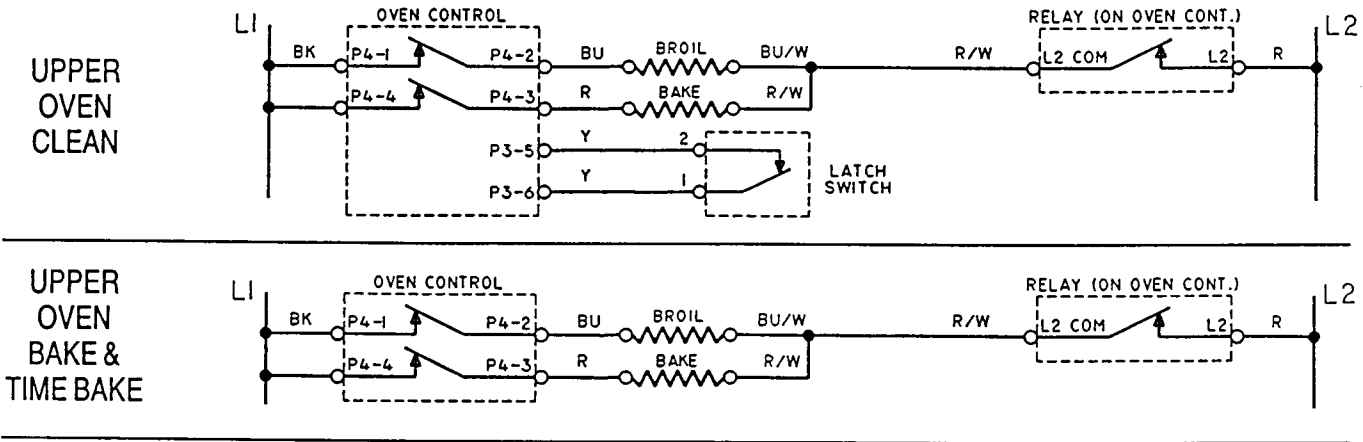
**F1 FAILED ELECTRONIC OVEN CONTROL**

**CORRECTIVE ACTION:**  
Replace electronic oven control.

**F3 FAILED OVEN TEMPERATURE SENSOR**

**CORRECTIVE ACTION:**  
Replace oven temperature sensor.

**Oven Circuits:** The following individual circuits are for use in diagnosis. Before starting diagnosis, check the line voltage and for blown fuses.



**NOTE:** For single ovens, use upper oven circuits only.

**PART NO. 3184116 REV. D**

**NOTE: This sheet contains important  
Technical Service Data**

**FOR SERVICE TECHNICIAN ONLY  
DO NOT REMOVE OR DESTROY**