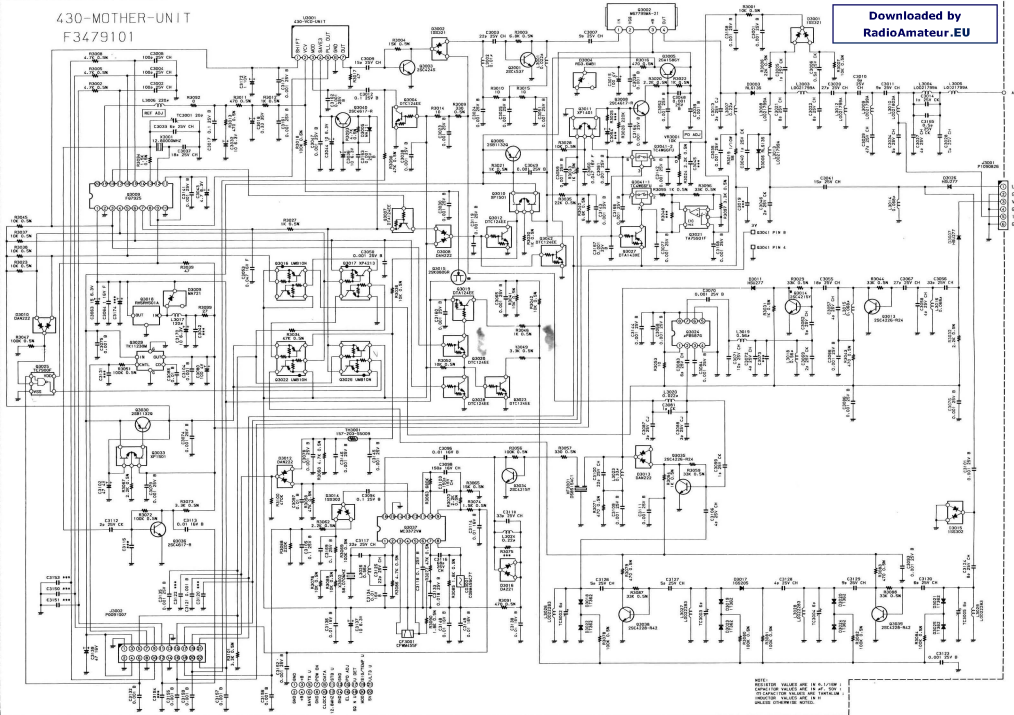


F3481101
CNTL-UNIT

1	2	3	4	5	6	7	8	9	10	11	12	13	14	15	16	17	18	19	20	21	22	23	24	25	26	27	28	29	30	31	32	33	34	35	36	37	38	39	40	41	42	43	44	45	46	47	48	49	50	51	52	53	54	55	56	57	58	59	60	61	62	63	64	65	66	67	68	69	70	71	72	73	74	75	76	77	78	79	80	81	82	83	84	85	86	87	88	89	90	91	92	93	94	95	96	97	98	99	100
---	---	---	---	---	---	---	---	---	----	----	----	----	----	----	----	----	----	----	----	----	----	----	----	----	----	----	----	----	----	----	----	----	----	----	----	----	----	----	----	----	----	----	----	----	----	----	----	----	----	----	----	----	----	----	----	----	----	----	----	----	----	----	----	----	----	----	----	----	----	----	----	----	----	----	----	----	----	----	----	----	----	----	----	----	----	----	----	----	----	----	----	----	----	----	----	----	----	----	-----

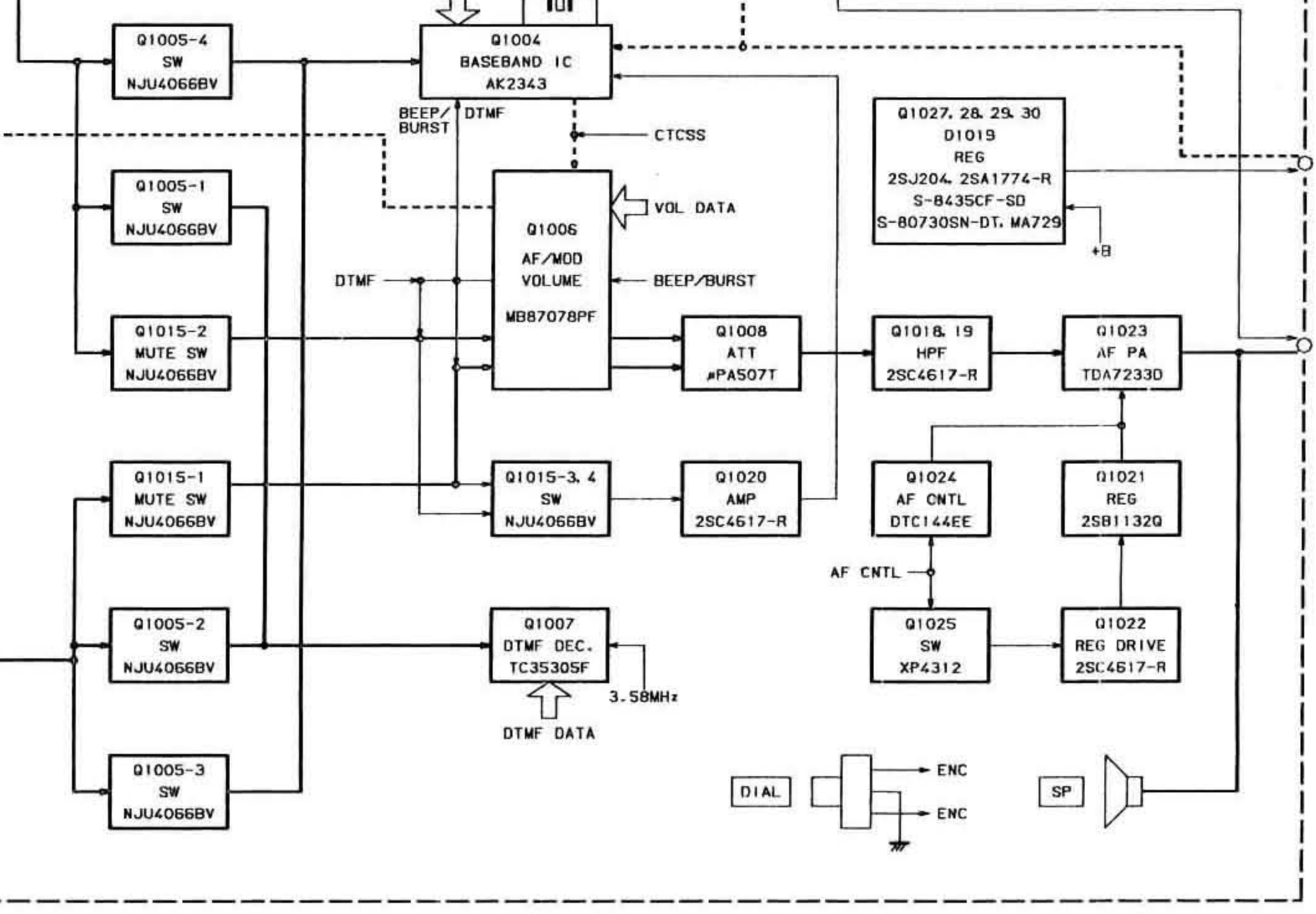
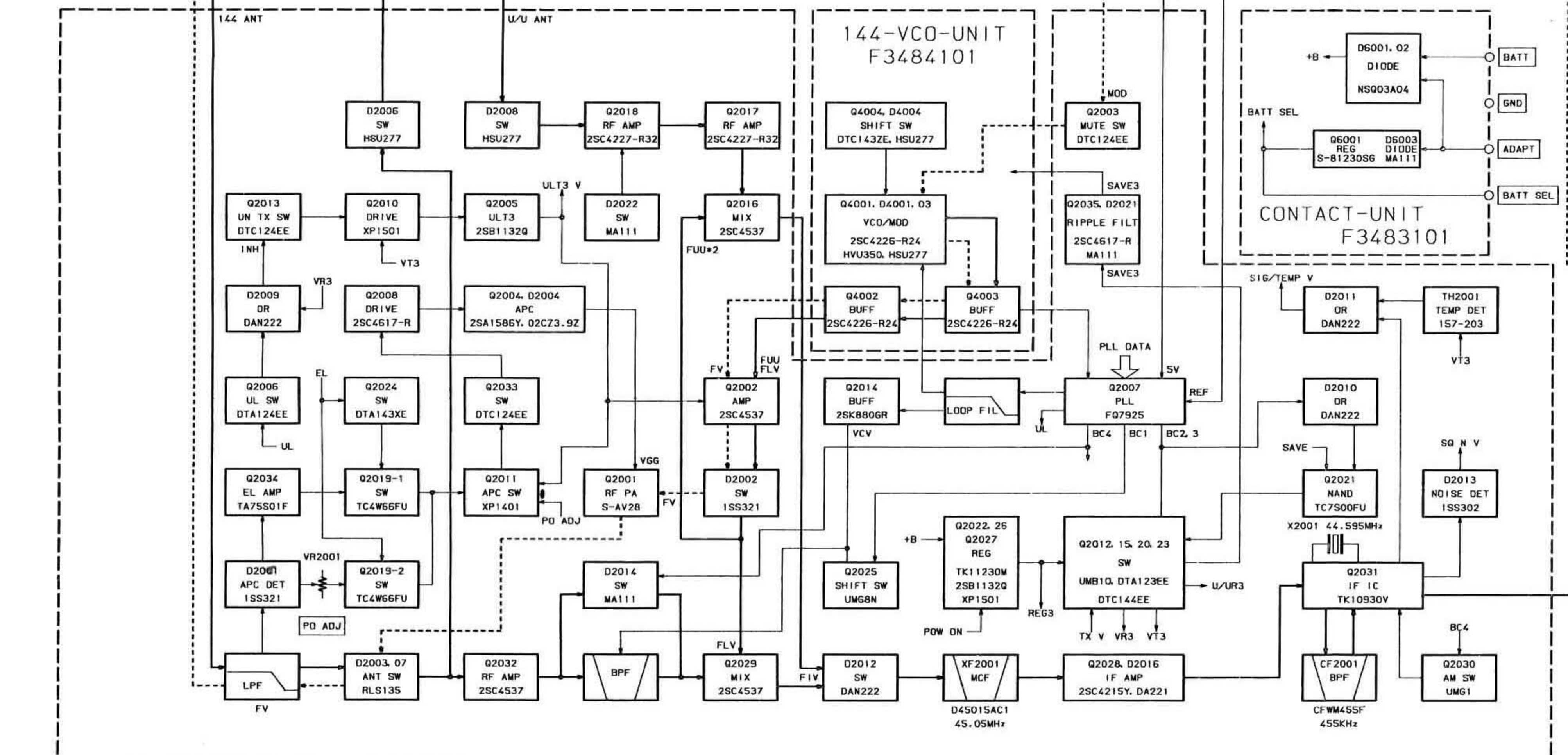
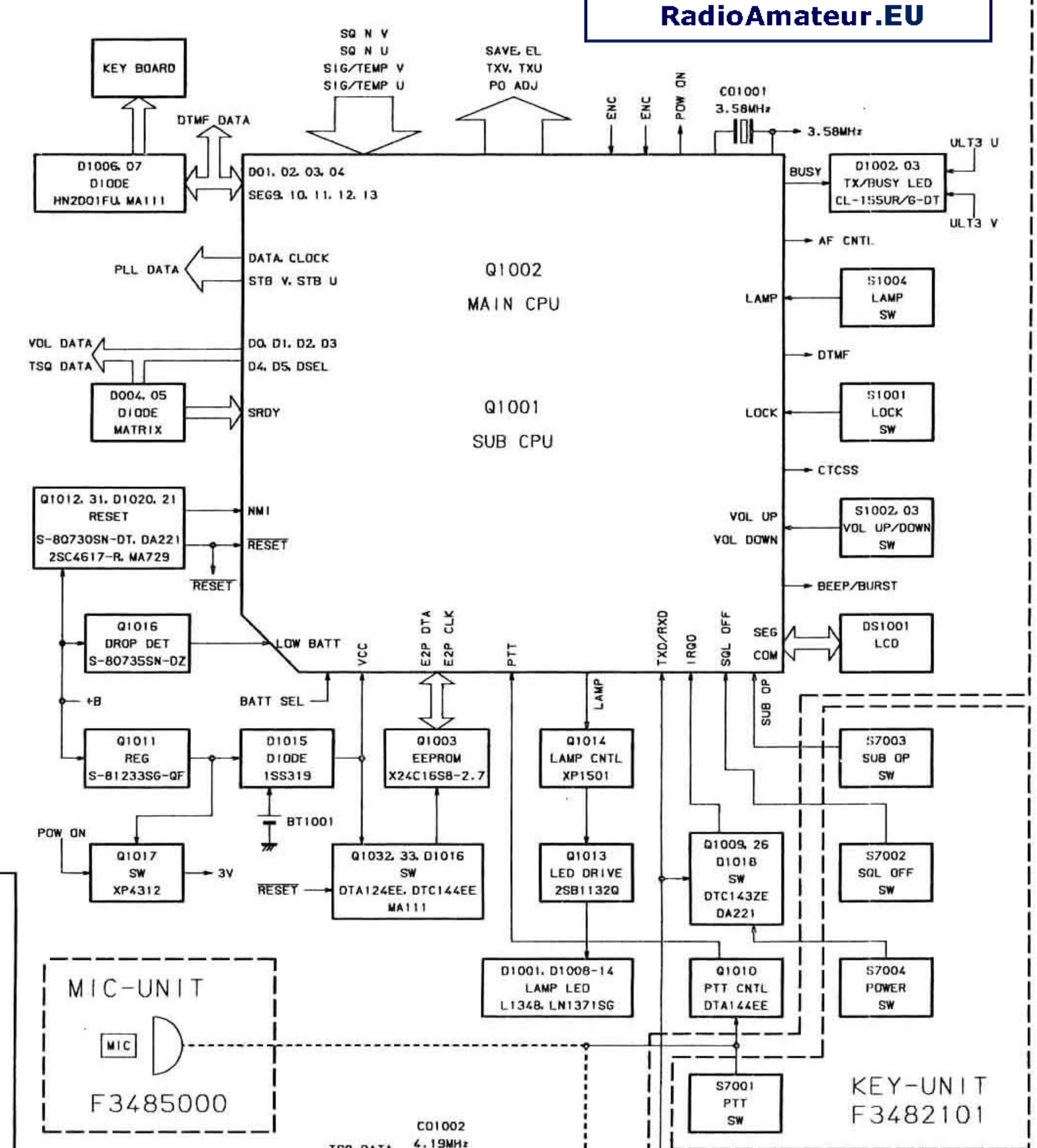
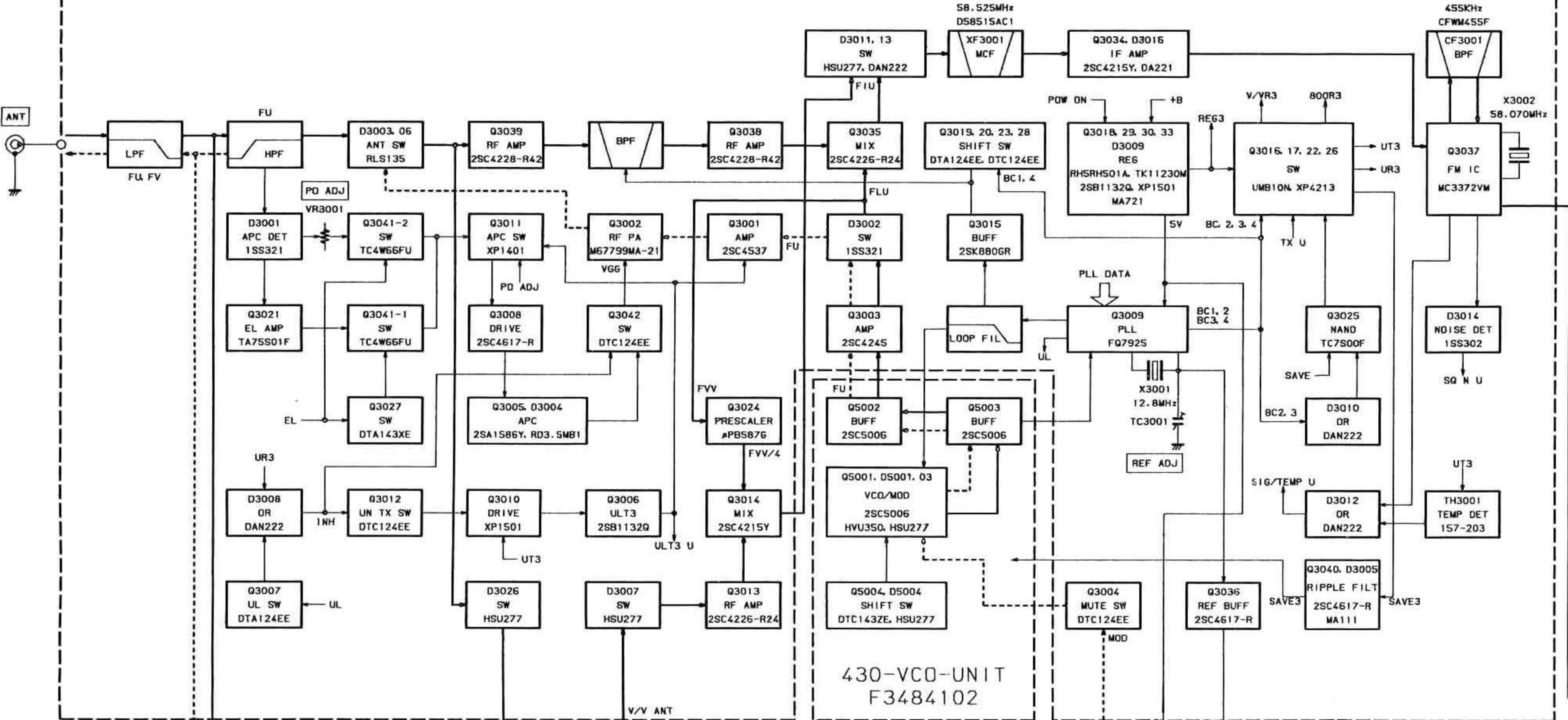
430-MOTHER-UNIT
F3479101



430-MOTHER-UNIT F3479101

CNTL-UNIT F3481101

Downloaded by
RadioAmateur.EU

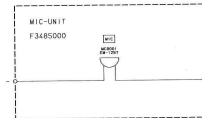
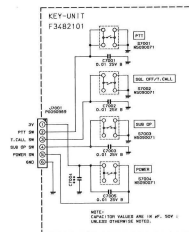
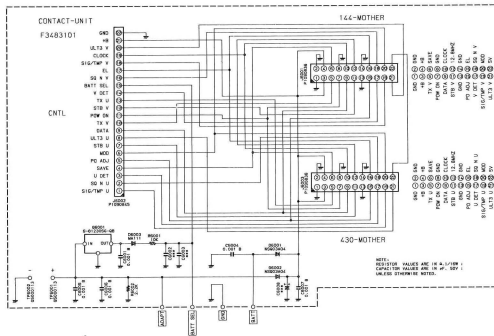
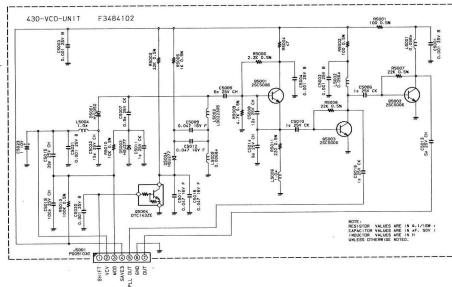
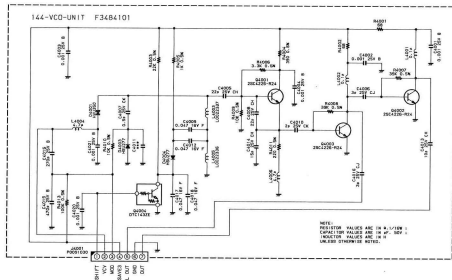


144-MOTHER-UNIT F3480101

FU=430-440MHz
FV=144-145MHz
FLU=FU-F1U
FLV=FV-F1V
FVU=FV-F1U *4

FUU=FU-F1U/2
F1U=58.525MHz
F1V=45.05MHz

—●— RX LINE
- - - TX LINE
— COMMON LINE



Downloaded by
RadioAmateur.EU