

CONSULT FACTORY FOR
SPECIAL CONFIGURATIONS

MOUNTING PATTERN			DRIVE PATTERN
STD	MIN	MAX	STD
Ø 7.625 1/2-13 UNC	Ø 6.875 3/8-16 UNC	Ø 10.180 5/8-11 UNC	Ø 4.500 1/2-13 UNC

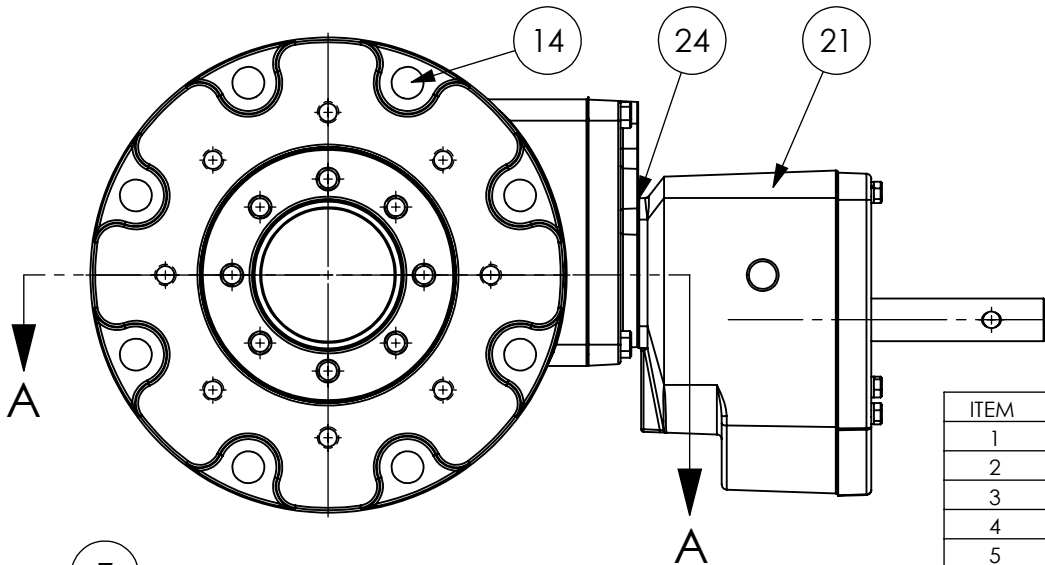
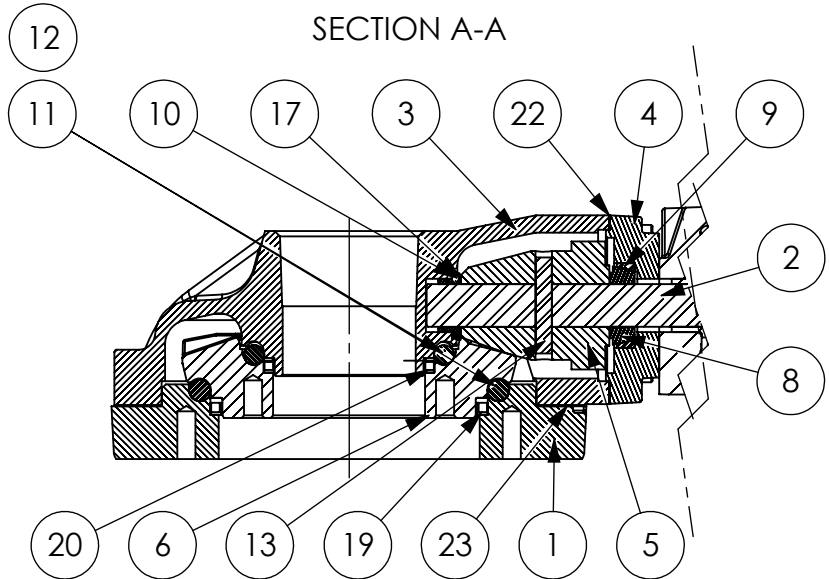
RATIO: 16:1
 THRUST: 80,000 LB
 [356 KN]
 TORQUE: 2,300 FT-LB
 [3,118 N-M]
 TEMPERATURE: -20° TO 150°F
 [-29° TO 66°C]
 WEIGHT: 115 LBS [52 KGS]
 GREASED FOR LIFE
 PLATED STANDARD SHAFT

MANUAL MULTI-TURN ACTUATOR
COMMERCIAL GRADE

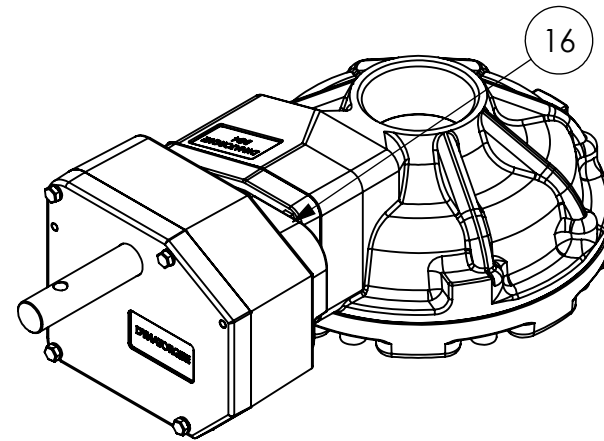
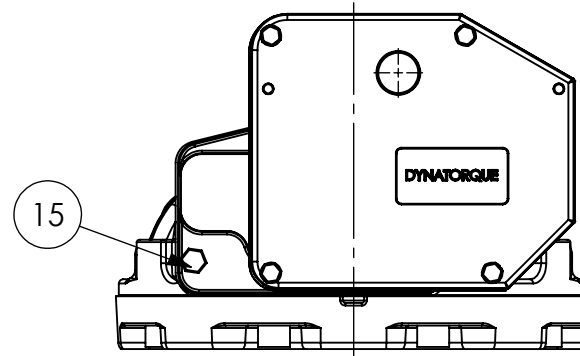
DYNATORQUE **BG44**
GT

WWW.DYNATORQUE.COM

A BRAND OF CAMERON



- 7 UNIT IS PAINTED BLACK ENAMEL.
- 18 UNIT BEARINGS & GEAR TEETH ARE GREASED.



ITEM	QTY.	DESCRIPTION	ITEM	QTY.	DESCRIPTION
1	1	BEARING RET, BG4GT H.T.	15	1	HHCS, 3/8-16 X 1.25 LG
2	1	SHAFT,BG4,SPUR	16	3	HHCS, 3/8-16 X .875
3	1	HOUSING, BG4GT, HT	17	1	WASHER, WAVE
4	1	BRG HSG,BG44	18	1	GREASE,COMMERCIAL GRADE
5	1	BEVEL PINION,BG4,MACH	19	1	LIP SEAL,6.00
6	1	BEVEL GEAR, BG4GT, HT	20	1	LIP SEAL,3.50
7	1	BLACK ENAMEL	21	1	SPUR, 4:1
8	1	ROLLER BEARING,CONE	22	1	GASKET, BRG HSG
9	1	ROLLER BEARING,CUP	23	1	GASKET, BRG RET
10	1	BEARING,FLANGED,1.0	24	1	RTV SEALANT
11	36	BALL BEARING,.500 DIA	DYNATORQUE WWW.DYNATORQUE.COM A BRAND OF CAMERON		
12	36	BALL BEARING,.469 DIA			
13	1	GROOVE PIN,.375,2.25			
14	8	SHCS,1/2-13 X 1.25			

**BG44
GT**