



**UHF
PLL WIRELESS
MICROPHONE SYSTEM**

Module information

Model Name: WIRELESS TRANSMITTER

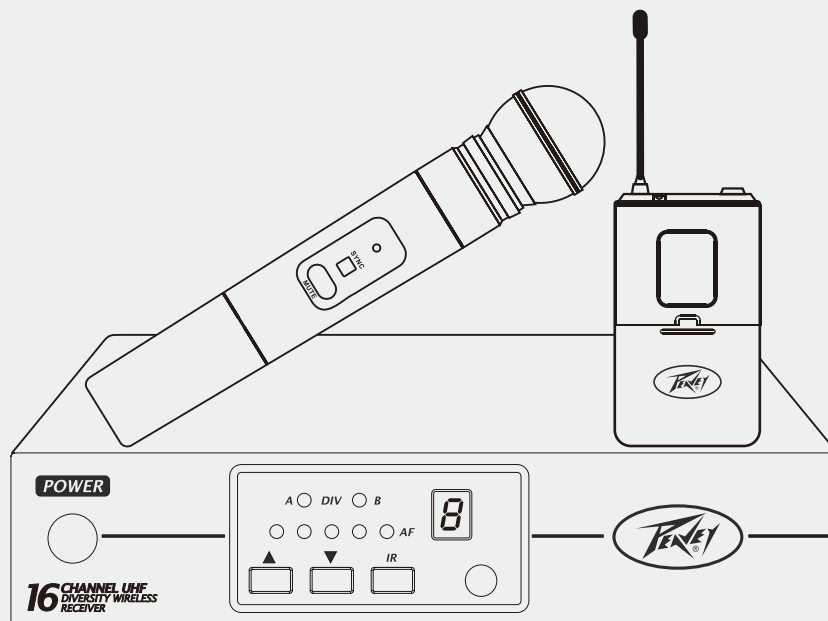
Model No.:PV WIRELESS TRANSMITTER (UH-6)

PV WIRELESS TRANSMITTER (UB-7)

Model Name:WIRELESS RECEIVER

Model No.:16 CHANNEL UHF DIVERSITY

WIRELESS RECEIVER (PLL-16N1)



ENGLISH
OWNER'S MANUAL

Contents

Introduction	3
PLL-16N1 Receiver Features.....	4
UH-6 Handheld Transmitter	6
UB-7 Bodypack Transmitter	8
Specifications	10



PLL-16N1

UHF
WIRELESS
MICROPHONE SYSTEM

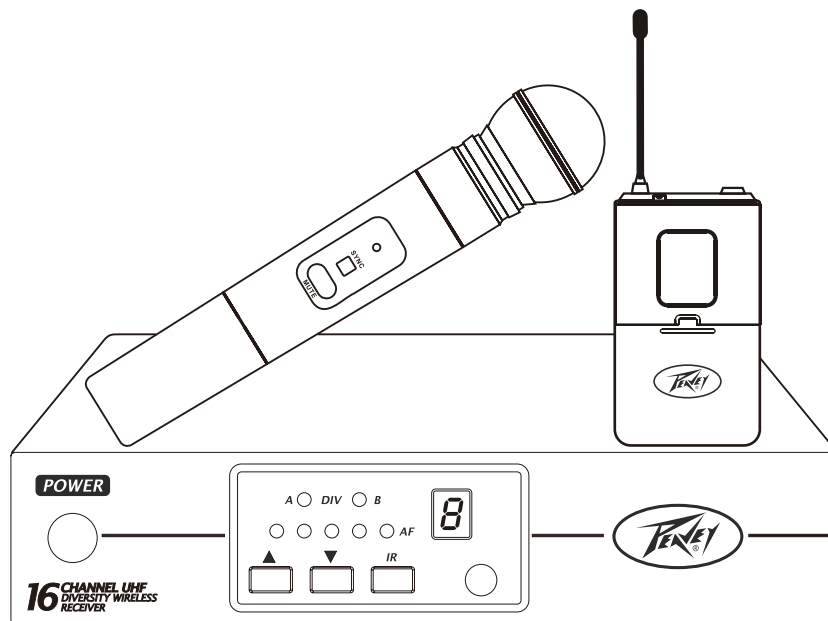
Introduction

Please read this manual thoroughly for correct operation and optimal performance.

In today's audio professionals, the demand for using lots of multi-channel wireless microphone systems simultaneously is greatly increasing.

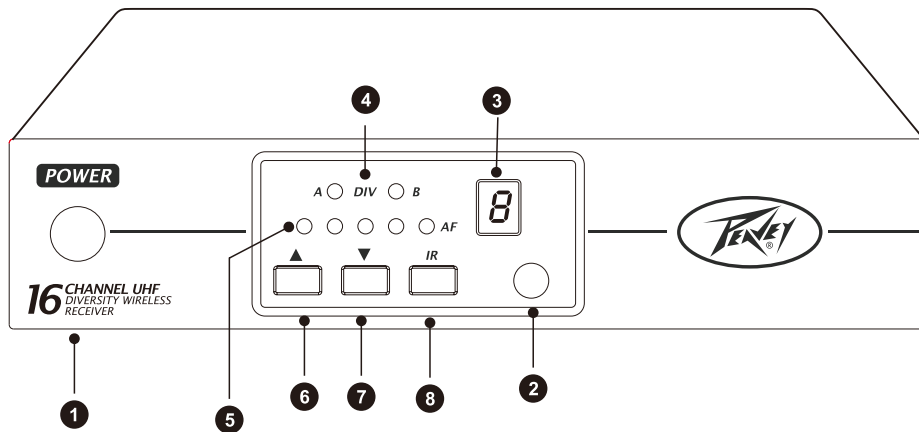
Furthermore, they would like to see professional systems with the capability of easy frequency agility, more non-interfering channels and interference-free operation.

Created for active musicians and presenters who also manage their own sound, PEAVEY PLL-16 Wireless microphone systems optimizes your performance and simplifies your setup.



PLL-16 Receiver Features

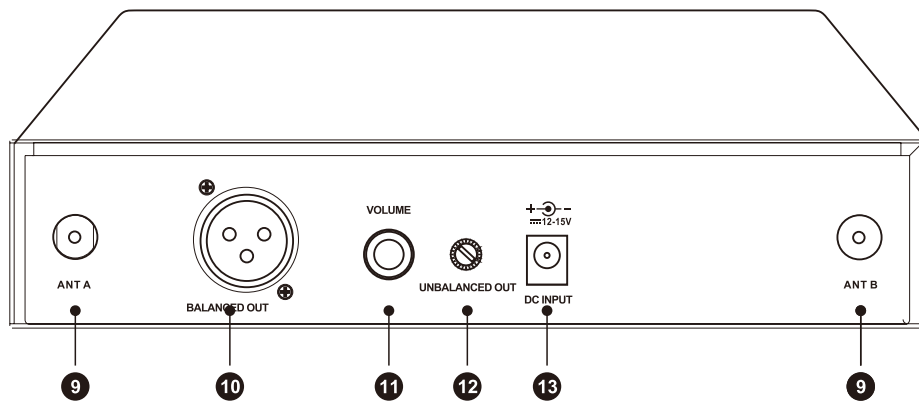
Front Panel



- (1) Power Switch:
- (2) Infrared(IR) port: Broadcasts IR signal to transmitter.
- (3) Channel Indicator: To display system's receiving channel.
- (4) DIV Indicator: Antenna receiver status indicator LED.
- (5) AF1~AF5 Indicator: Indicate the audio signal level.
- (6) ▲ : UP select button.
- (7) ▼ : DOWN select button.
- (8) IR button: Press to synchronize transmitter and receiver frequencies.

PLL-16 Receiver Features

Back Panel



(9) *ANT: TWO ANT FOR RECEIVER*

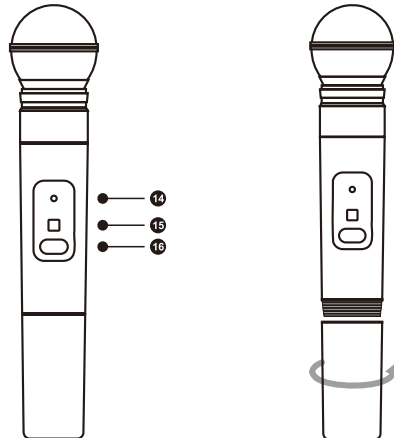
(10) *Balanced out Jack:* With Cannon / XLR type connector provides balanced audio output signal from this jack to the amplifier.

(11) *Volume Adjuster:* Adjusts the volume level of the individual channel (*Unbalanced OUTPUT*).

(12) *Unbalanced out Jack:* With Phone Jack provides audio output signal from this jack to the amplifier.

(13) *DC Input Socket:* The input socket for 12-15V Volt DC power. Please note that the polarity of the central pin in the socket is positive(+).

UH-6 Handheld Transmitter

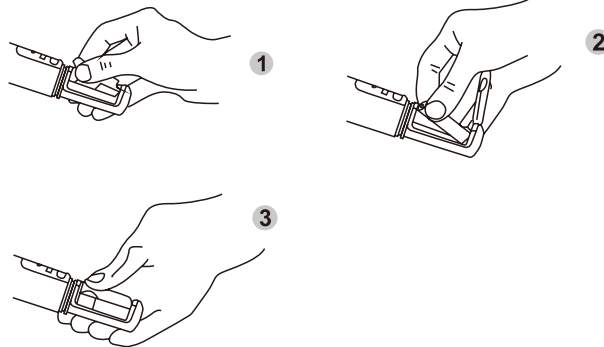


- (14) Power / IR / Mute indicator
- (15) Sync port: Receives infrared beam to synchronize frequencies
- (16) On-off / mute switch

Green	Ready
Flashing green	Controls locked
Amber	Mute on
Flashing red	IR transmitter in process
Glowing red	Battery power low
Pulsing red on startup	Batteries dead (transmitter cannot be turned on until batteries are changed)
Pulsing red after synchronization	Transmitter and receiver incompatible

Press and hold to turn on or off. Press and release to mute or unmute.

Changing Batteries



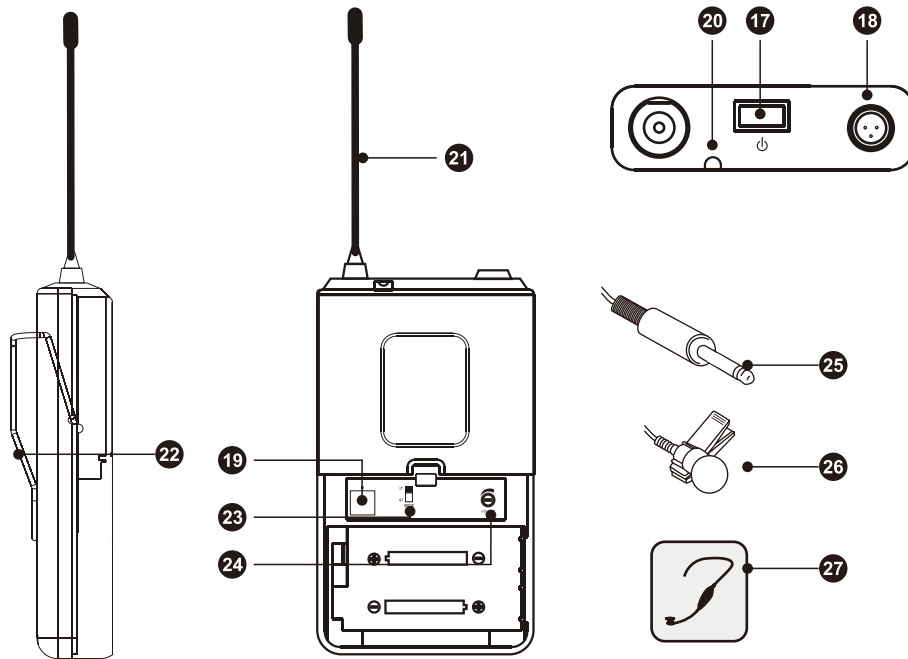
* Expected life for alkaline batteries is approximately 8 hours.

* When the transmitter light glows red, the batteries should be replaced immediately, as shown on the right.

PS: When the Transmitter is not in use:

Make sure the power of the microphone is off. If the microphone will not be used for some time, please remove the batteries from the battery compartment to avoid battery leakage and result in damaged battery springs and circuit.

UB-7 Bodypack Transmitter



- (17) Power / Mute button
- (18) MIC Jack
- (19) IR Port
- (20) *Power / IR / Mute indicator*
- (21) Transmitter Antenna
- (22) Detachable Belt Clip
- (23) Mode with LT & GT
- (24) Volume adjust
- (25) Guitar Cable
- (26) Lavalier Mic
- (27) Headphone Mic

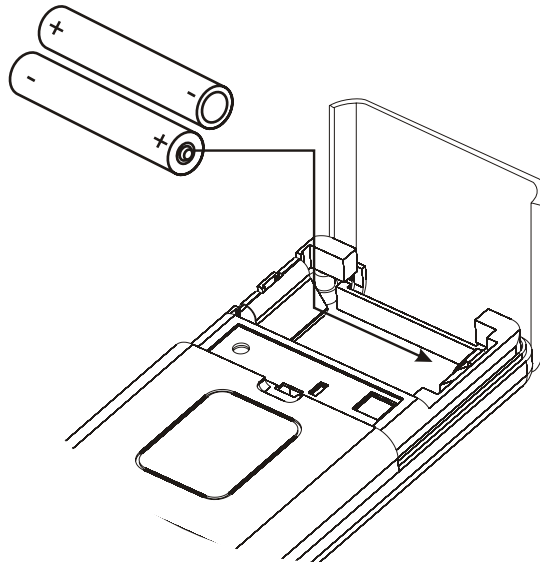
Green	Ready
Flashing green	Controls locked
Amber	Mute on
Flashing red	IR transmitter in process
Glowing red	Battery power low
Pulsing red on startup	Batteries dead (transmitter cannot be turned on until batteries are changed)
Pulsing red after synchronization	Transmitter and receiver incompatible

UB-7 Bodypack Transmitter

Changing Batteries

* Expected life for alkaline batteries is approximately 8 hours.

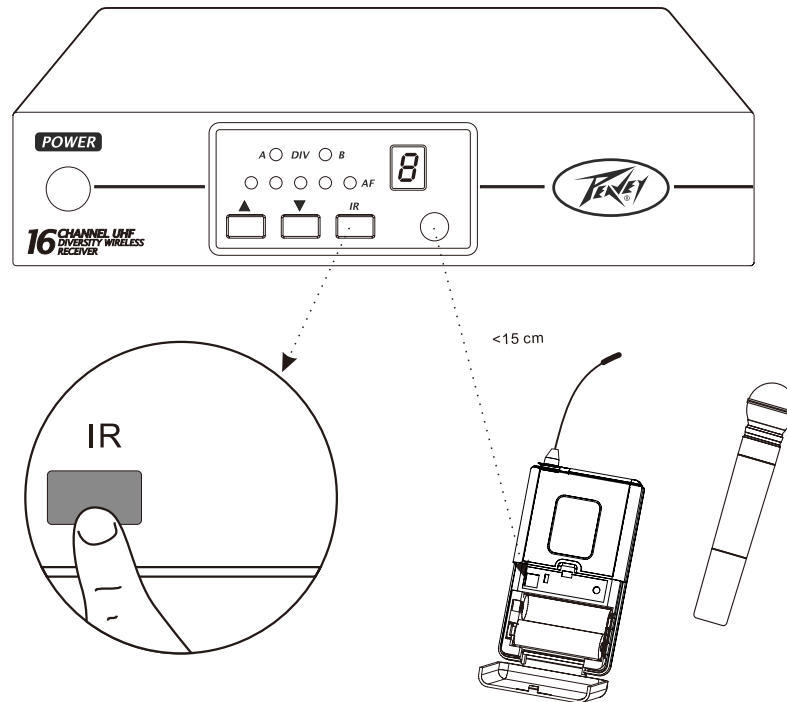
* When the transmitter light glows red, the batteries should be replaced immediately, as shown on the right.



PS: When the Transmitter is not in use:

Make sure the power of the microphone is off. If the microphone will not be used for some time, please remove the batteries from the battery compartment to avoid battery leakage and result in damaged battery springs and circuit.

UH-6 Handheld UB-7 Bodypack Transmitter



Automatic Transmitter Setup

Open the (UB-7) transmitter battery compartment to display the infrared(IR) port.
With the transmitter IR port exposed to the receiver, press IR

When the receiver ready light glows, the system is ready for use. Close the(UB-7) transmitter battery compartment.

Specifications

System	Frequency	UHF
	Audio Frequency Response +/-3dB	Minimum: 50 Hz Maximum: 18 KHz (Overall system frequency depends on microphone element.)
	Total Harmonic Distortion Ref. +/-30KHz deviation,1KHz tone	0.8%, typical
	Dynamic Range	>100dB A-weighted
	Working Range	100m(300ft.) Note: actual range depends on RF signal absorption, reflection, and interference
RX	Oscillation Type	Microprocessor controlled PLL Synthesized
	Receiving Method	Diversity
	Frequency Stability	±0.005%
	No. of Channel	Max. 16 (16 Channels)
	Max. Deviation	>±45KHz
	Sensitivity	-105 dBm at S/N ratio >12dB
	Pilotone Frequency	32.768 KHz
	Image Rejection	>60dB
	Audio Outputs	Unbalanced: 360mV/5K Balanced: 25mV/600
TX	RF Power Output	≤ 30mW
	Spurious Emission	> 60dB below Carrier
	No. of Channel	Max. 16 (16 Channels)
	Pilotone Frequency	32.768 KHz
	Battery	AA type*2
	Battery Life (Alkaline)	About 8 hours

FCC NOTE:

This device complies with Part 15 of the FCC Rules.

Operation is subject to the following two conditions: (1) this device may not cause harmful interference, and (2) this device must accept any interference received, including interference that may cause undesired operation.

THE MANUFACTURER IS NOT RESPONSIBLE FOR ANY RADIO OR TV INTERFERENCE CAUSED BY UNAUTHORIZED MODIFICATIONS OR CHANGE TO THIS EQUIPMENT. SUCH MODIFICATIONS OR CHANGE COULD VOID AND CHANGE ANNTENA WHICH THE MANUFACTURER PROVIDES. IT IS THE USER'S AUTHORITY TO OPERATE THE EQUIPMENT.

