



Eh3500 Series Environmental Enclosure



C478SM-A (4/07)

Contents

Important Safety Instructions	4
Description	5
Models	5
EH3500 Series	5
EH3515L Legacy Series	5
Maintenance	6
Exploded Assembly and Wiring Diagrams	6
EH3500 Series Enclosure	6
Accessories for the EH3508/EH3512/EH3515 Series	8
EH3515 Legacy Series Enclosure	13
Accessories for the EH3515L Legacy Series	14

List of Illustrations

1	EH3500 Series Enclosure Exploded Assembly Diagram	6
2	EH3508/EH3512/EH3515 Series Accessories Exploded Assembly Diagram	8
3	EH3508/EH3512/EH3515 Series Wiring Diagram	12
4	EH3515L Legacy Series Exploded Assembly Diagram	13
5	EH3515L Legacy Series Accessories Exploded Assembly Diagram	14
6	EH3515L Legacy Series Wiring Diagram	16
7	EH3515L Legacy Series Circuit Board Component Locations	17
8	EH3515L Legacy Series Layout of Circuit Board Traces	17

List of Tables

A	EH3500 Series Enclosure Exploded Assembly Parts List	7
B	EH3508 Series Accessories Exploded Assembly Parts List	9
C	EH3512 Series Accessories Exploded Assembly Parts List	10
D	EH3515 Series Accessories Exploded Assembly Parts List	11
E	EH3515L Legacy Series Exploded Assembly Parts List	13
F	EH3515L Legacy Series Accessories Exploded Assembly Parts List	15

Important Safety Instructions

1. Installation and servicing should only be done by qualified service personnel and conform to all local codes.
2. Unless the unit is specifically marked as a NEMA Type 3, 3R, 3S, 4, 4X, 6, or 6P enclosure, it is designed for indoor use only and it must not be installed where exposed to rain and moisture.
3. Only use replacement parts recommended by Pelco.
4. After replacement/repair of this unit's electrical components, conduct a resistance measurement between line and exposed parts to verify the exposed parts have not been connected to line circuitry.
5. The installation method and materials should be capable of supporting four times the weight of the enclosure, pan/tilt, camera and lens combination.

The product and/or manual may bear the following marks:



This symbol indicates that dangerous voltage constituting a risk of electric shock is present within this unit.



This symbol indicates that there are important operating and maintenance instructions in the literature accompanying this unit.

Please thoroughly familiarize yourself with the information in this manual prior to installation and operation.



Description

The EH3508/EH3512/EH3515 Series are indoor/outdoor light-duty camera enclosures designed for use with various cameras on the market and accommodate fixed focal length lenses or motorized zoom lenses, with or without auto-iris operation.

The lid of the enclosure is hinged in the front providing easy access during installation and when camera/lens adjustments are necessary. The camera sled itself serves as an elevation block. You can remove, flip, and then reinstall the sled to elevate the camera. All wiring and cabling is brought into the enclosure through an adjustable gland at the bottom rear of the enclosure.

The rear link-lock latch can be used with a padlock of suitable size for applications requiring additional security.

The EH3515L Legacy® Series enclosures are used with pan/tilt units in Pelco's PT480 Series. The enclosures are mounted on the bottom. A connector in the pan/tilt unit attaches the enclosure, mechanically and electrically, to the pan/tilt unit.

MODELS

EH3500 SERIES

EH3508	Enclosure, indoor/outdoor, 8.75-inch (22.23 cm) lower body length. (CE)
EH3508-1	EH3508 with 120 VAC defroster and thermostatically controlled heater; 25 W
EH3508-2	EH3508 with 24 VAC defroster and thermostatically controlled heater; 20 W
EH3508-3	EH3508 with 230 VAC defroster and thermostatically controlled heater; 43 W
EH3512	Enclosure, indoor/outdoor, 12.75-inch (32.38 cm) lower body length. (CE)
EH3512-1	EH3512 with 120 VAC defroster, blower, and thermostatically controlled heater; 25 W
EH3512-1HD	EH3512 with 120 VAC defroster and thermostatically controlled heater; 25 W
EH3512-2	EH3512 with 24 VAC defroster, blower, and thermostatically controlled heater; 20 W
EH3512-2HD	EH3512 with 24 VAC defroster and thermostatically controlled heater; 20 W
EH3512-3	EH3512 with 230 VAC defroster, blower, and thermostatically controlled heater; 43 W
EH3512-3HD	EH3512 with 230 VAC defroster and thermostatically controlled heater; 43 W
EH3515	Enclosure, indoor/outdoor, 15.75-inch (40.00 cm) lower body length. (CE)
EH3515-1	EH3515 with 120 VAC defroster, blower, and thermostatically controlled heaters; 25 W
EH3515-1HD	EH3515 with 120 VAC defroster and thermostatically controlled heaters; 25 W
EH3515-2	EH3515 with 24 VAC defroster, blower, and thermostatically controlled heaters; 20 W
EH3515-2HD	EH3515 with 24 VAC defroster and thermostatically controlled heaters; 20 W
EH3515-3	EH3515 with 230 VAC defroster, blower, and thermostatically controlled heaters; 43 W
EH3515-3HD	EH3515 with 230 VAC defroster and thermostatically controlled heaters; 43 W

EH3515L LEGACY SERIES

EH3515L	Enclosure, indoor/outdoor, 15.75-inch (40.00 cm) lower body length. (CE)
EH3515L-1	EH3515 with 120 VAC defroster, blower, and thermostatically controlled heaters; 27 watts (CE)
EH3515L-1HD	EH3515 with 120 VAC defroster and thermostatically controlled heaters; 23 watts
EH3515L-2	EH3515 with 24 VAC defroster, blower, and thermostatically controlled heaters; 25 watts (CE)
EH3515L-2HD	EH3515 with 24 VAC defroster and thermostatically controlled heaters; 23 watts
EH3515L-3	EH3515 with 230 VAC defroster, blower, and thermostatically controlled heaters; 32 watts (CE)
EH3515L-3HD	EH3515 with 230 VAC defroster and thermostatically controlled heaters; 23 watts

Maintenance

Regularly scheduled maintenance prolongs the operational life and appearance of the equipment. Clean the window regularly with a soft cloth using a mild, nonabrasive detergent and water to maintain picture clarity.

EXPLODED ASSEMBLY AND WIRING DIAGRAMS

EH3500 SERIES ENCLOSURE

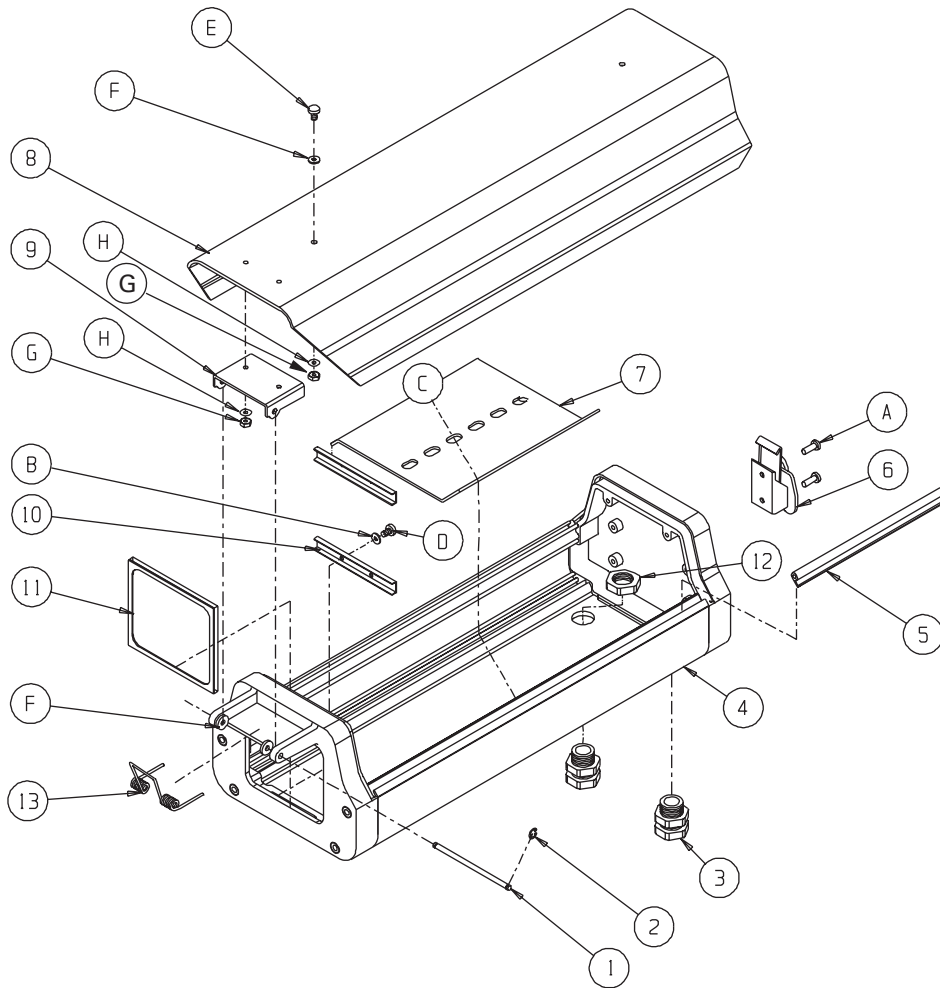


Figure 1. EH3500 Series Enclosure Exploded Assembly Diagram

Table A. EH3500 Series Enclosure Exploded Assembly Parts List

Item	Qty	Description	Part Number
1	1	Lid attachment pin	EH350010105
2	2	Type E clip	ZH.125ECLIP
3	2	Gland	HF00-1300-3500
4	1	Body	
		8-inch enclosure	37004001ASSY
		12-inch enclosure	37004000ASSY
		15-inch enclosure	35154000ASSY
5		Bulb seal gasket	GS07-0005-004A
	27 in.	8-inch enclosure	
	36 in.	12-inch enclosure	
	42 in.	15-inch enclosure	
6	1	Link latch lock	LK01-0104-0400
7	1	Camera sled	
		8-inch enclosure	EH35064236COMP
		12-inch and 15-inch enclosure	EH35004236COMP
8	1	Lid with latch	
		8-inch enclosure	EH35084135COMP
		12-inch enclosure	EH35004235COMP
		15-inch enclosure	35154003COMP
9	1	Lid bracket hinge	EH35004141COMP
10*	2	Window bracket	EH35004142COMP
11	1	Window and gasket	MF00-3501-020A
12	2	Gland nut	HF00-1352-3500
13	1	Lid spring	EH350010107
A	2	Rivet	ZHRVT1/8X3/8CE
B*	4	Flat washer	ZH148X375X32C
C	2	Screw, 6-32 x 3/8-inch, Phillips, pan head	ZH6-32X.375SPP
D*	4	Screw, 6-32 x 3/8-inch, Phillips, type F	ZH05-0003-0605
E	2	Screw, 4-40 x 3/8-inch, Phillips, pan head	ZH4-40X.375SPP
F	2	Nylon washer	
		8-inch enclosure	ZH200X437X62N
		12-inch and 15-inch enclosure	ZH131X361X62N
G	4	Nut, 4-40, hex	ZH4-40NUTSH
H	4	Internal tooth lock washer, #4	ZH4LWSIS

*Applies only to EH3508, EH3512, and EH3515.

ACCESSORIES FOR THE EH3508/EH3512/EH3515 SERIES

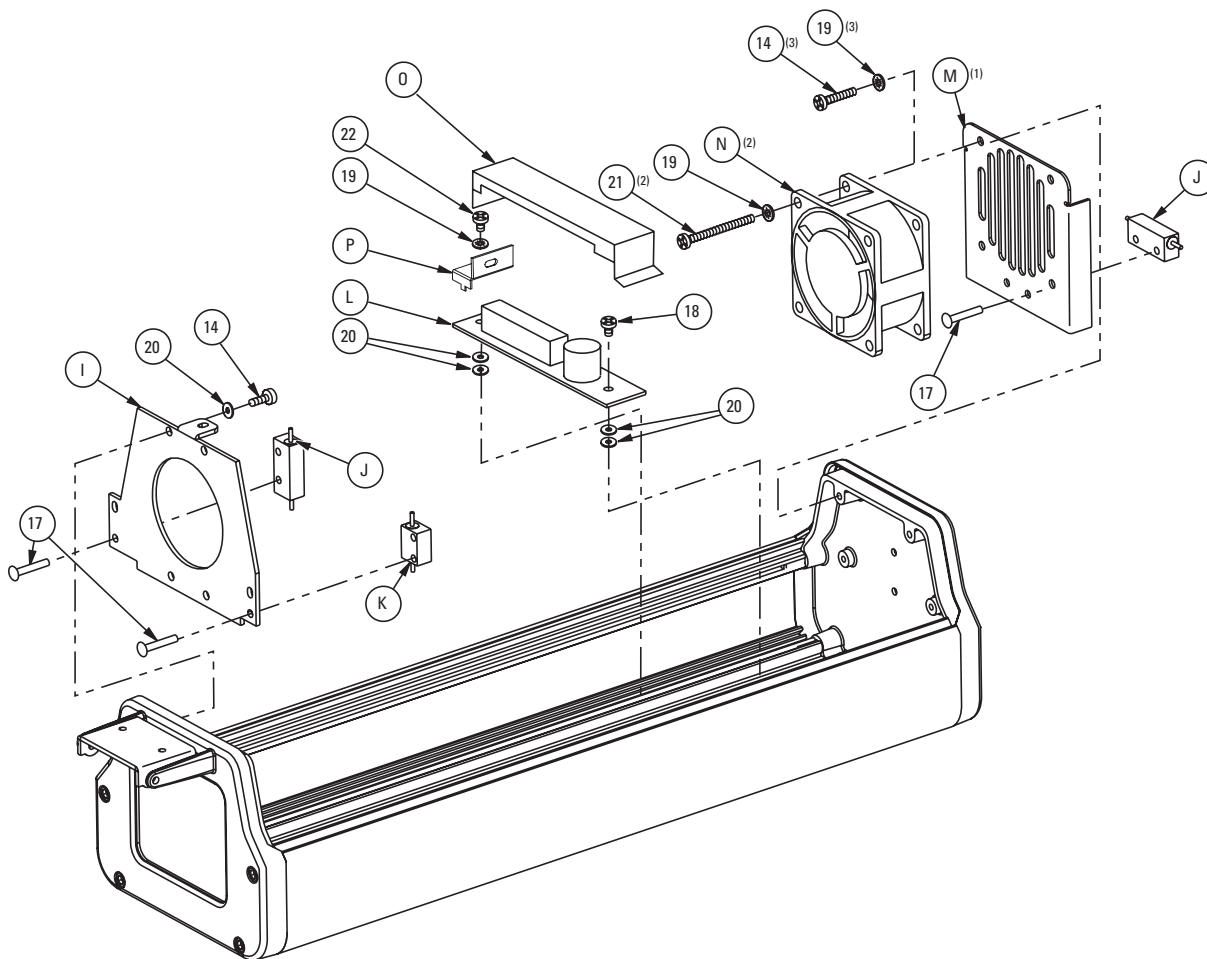


Figure 2. EH3508/EH3512/EH3515 Series Accessories Exploded Assembly Diagram

Table B. EH3508 Series Accessories Exploded Assembly Parts List

Item	Qty	Description	Part Number
I	1	Heater bracket	9484024
J		Heater, thermostatically controlled	
	1	120 VAC	HT21-0201-0100
	1	24 VAC	HT02-1022-4310
	1	230 VAC	HT23-0201-0100
K		Defroster, continuous-duty	
	1	120 VAC	HT21-1201-0100
	1	24 VAC	HT02-0322-4306
	1	230 VAC	HT23-1201-0100
L	1	PC board	PCB9100301ASSY
O	1	PC board cover	MF06-3500-16A
14	4	Screw, 6-32 x 3/8-inch, Phillips, type F, pan head	ZH05-0003-0605
17	4	Pop rivet, 3/8-inch	ZHRVT1/8X3/8CE
18	1	Screw, 6-32 x 3/8-inch, Phillips, type F, pan head	ZH6-SFX.375SPP
20	8	Nylon washer	ZH131X361X62N
22	1	Screw, 6-32 x 3/8-inch, Phillips, pan head with lock washer	ZH01-2001-0605
24 VAC Model Only			
*	1	24 VAC rectifier	PCB9000277ASSY

* Illustrated in 24 VAC wiring diagram in Figure 3.

Table C. EH3512 Series Accessories Exploded Assembly Parts List

Item	Qty	Description	Part Number
I	1	Heater bracket	9484024
J		Heater, thermostatically controlled	
	1	120 VAC	HT21-0201-0100
	1	24 VAC	HT02-1022-4310
	1	230 VAC	HT23-0201-0100
K		Defroster, continuous-duty	
	1	120 VAC	HT21-1201-0100
	1	24 VAC	HT02-0322-4306
	1	230 VAC	HT23-1201-0100
L	1	PC board	PCB9100301ASSY
N		Blower	
	1	120 VAC	MM750010003
	1	24 VDC	ED210005
	1	230 VAC*	MM750010003
O	1	PC board cover	MF06-3500-16A
14	4	Screw, 6-32 x 3/8-inch, Phillips, type F, pan head	ZH05-0003-0605
17	4	Pop rivet, 3/8-inch	ZHRVT1/8X3/8CE
18	1	Screw, 6-32 x 3/8-inch, Phillips, type F, pan head	ZH6-SFX.375SPP
19		Internal tooth lock washer, #6	ZH6LWSIS
	4	EH3512-1/-2/-3	
	2	EH3512-1HD/-2HD/-3HD	
20	8	Nylon washer	ZH131X361X62N
21	2	Screw	
		EH3512-1/-3: 6-32 x 1 1/2-inch, Phillips, pan head	ZH6-32X1.50SPS
		EH3512-2: 6-32 x 1 3/8-inch, Phillips, pan head	ZH6-32X1.25SPP
22	1	Screw, 6-32 x 3/8-inch, Phillips, pan head with lock washer	ZH01-2001-0605
24 VAC Model Only			
**	1	24 VAC rectifier	PCB9000277ASSY

*Uses 120 VAC and resistor (resistor not included)

**Illustrated in 24 VAC wiring diagram in Figure 3.

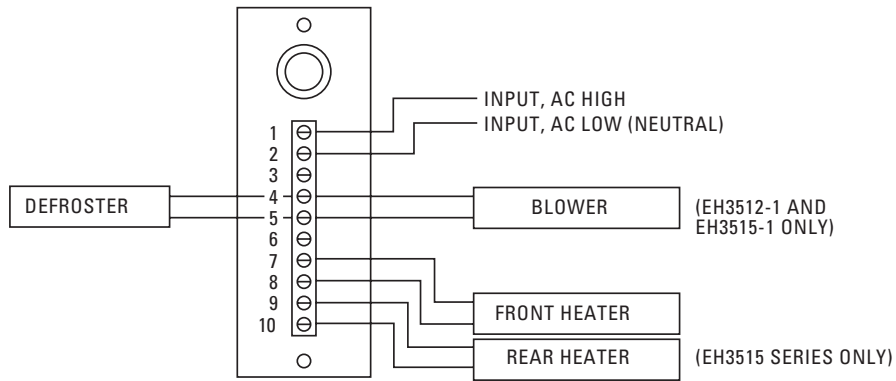
Table D. EH3515 Series Accessories Exploded Assembly Parts List

Item	Qty	Description	Part Number
I	1	Heater bracket	9484024
J		Heater, thermostatically controlled	
	2	120 VAC	HT21-0201-0100
	2	24 VAC	HT02-1022-4310
	2	230 VAC	HT23-0201-0100
K		Defroster, continuous-duty	
	1	120 VAC	HT21-1201-0100
	1	24 VAC	HT02-0322-4306
	1	230 VAC	HT23-1201-0100
L	1	PC board	PCB9100301ASSY
M	1	Rear heater bracket	MF01-3500-018A
N		Blower	
	1	120 VAC	MM750010003
	1	24 VDC	ED210005
	1	230 VAC*	MM750010003
O	1	PC board cover	MF06-3500-16A
14		Screw, 6-32 x 3/8-inch, Phillips, type F, pan head	ZH05-0003-0605
	4	EH3515-1/-2/-3	
	6	EH3515-1HD/-2HD/-3HD	
17	6	Pop rivet, 3/8-inch	ZHRVT1/8X3/8CE
18	4	Screw, 6-32 x 3/8-inch, Phillips, type F, pan head	ZH6-SFX.375SPP
19	4	Internal tooth lock washer, #6	ZH6LWSIS
20	8	Nylon washer	ZH131X361X62N
21	2	Screw	
		EH3515-1/-3: 6-32 x 1 1/2-inch, Phillips, pan head	ZH6-32X1.50SPS
		EH3515-2: 6-32 x 1 3/8-inch, Phillips, pan head	ZH6-32X1.25SPP
22	1	Screw, 6-32 x 3/8-inch, Phillips, pan head with lock washer	ZH01-2001-0605
24 VAC Model Only			
**	1	24 VAC rectifier	PCB9000277ASSY

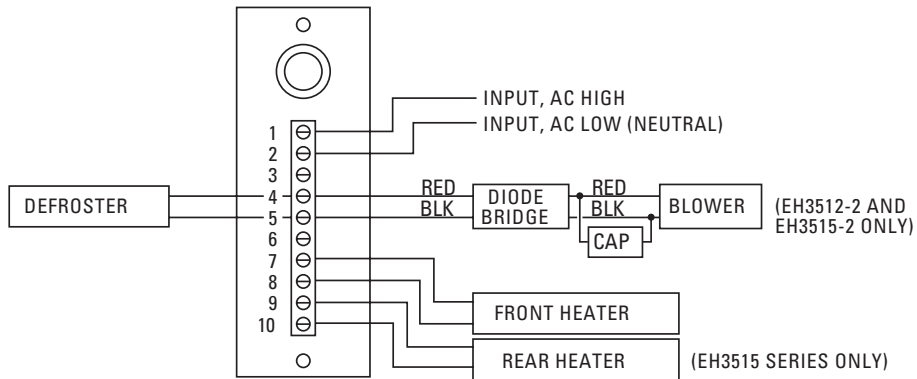
*Uses 120 VAC and resistor (resistor not included)

**Illustrated in 24 VAC wiring diagram in Figure 3.

120 VAC MODEL



24 VAC MODEL



230 V AC MODEL

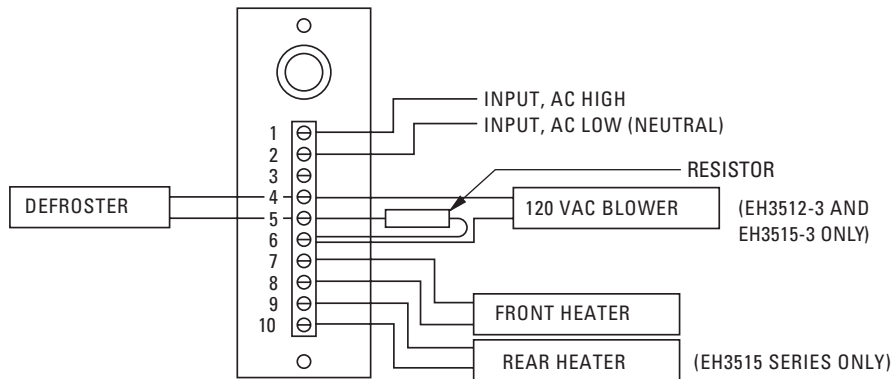


Figure 3. EH3508/EH3512/EH3515 Series Wiring Diagram

EH3515 LEGACY SERIES ENCLOSURE

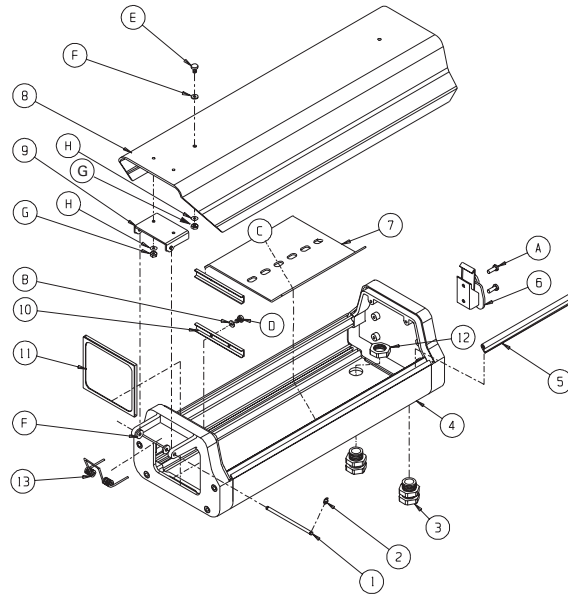


Figure 4. EH3515L Legacy Series Exploded Assembly Diagram

Table E. EH3515L Legacy Series Exploded Assembly Parts List

Item	Qty	Description	Part Number
1	1	Lid attachment pin	EH350010105
2	2	Type E clip	ZH.125ECLIP
3	2	Gland	HF00-1300-3500
4	1	Enclosure body	35154001ASSY
5	42 in.	Bulb seal gasket	EH470010011
6	1	Link latch lock	LK01-0104-0400
7	1	Camera sled	EH35064236COMP
8	1	Lid with latch	35154003COMP
9	1	Lid bracket hinge	EH35004141COMP
10	2	Window bracket	EH35004142COMP
11	1	Window and gasket	MF00-3501-020A
12	2	Gland nut	HF00-1352-3500
13	1	Lid spring	EH350010107
NS	1	Tilt table	35154005COMP
NS	1	Tilt table cradle	35154002COMP
NS	1	Tilt table gasket	351510000
NS	1	Circuit board assembly	PA05-0003-00B0
A	2	Rivet	ZHRVT1/8X3/8CE
B	4	Flat washer	ZH148X375X32C
C	2	Screw, 6-32 x 3/8-inch, Phillips, pan head	ZH6-32X.375SPPG
D	4	Screw, 6-32 x 3/8-inch, Phillips, type F	ZH6-SFX.375SPP
E	2	Screw, 4-40 x 3/8-inch, Phillips, pan head	ZH4-40X.375SPP
F	4	Nylon washer	ZH131X361X62N
G	4	Nut, 4-40, hex	ZH4-40NUTSH
H	4	Internal tooth lock washer, #4	ZH4LWSIS

NS=Not Shown

ACCESSORIES FOR THE EH3515L LEGACY SERIES

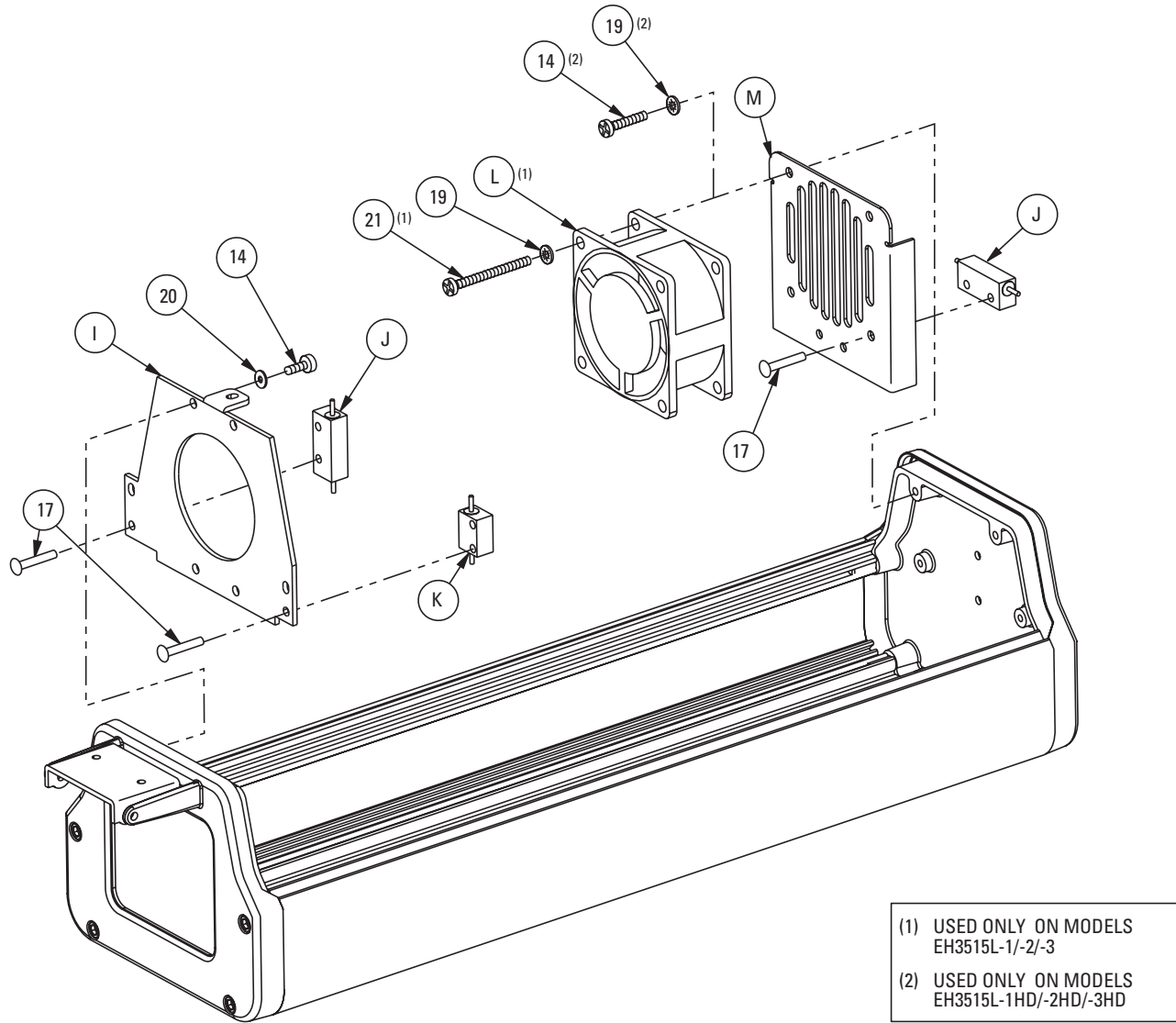


Figure 5. EH3515L Legacy Series Accessories Exploded Assembly Diagram

Table F. EH3515L Legacy Series Accessories Exploded Assembly Parts List

Item	Qty	Description	Part Number
I	1	Heater bracket	9484024
J		Heater, thermostatically controlled	
	2	120 VAC	HT21-0201-0100
	2	24 VAC	HT02-1022-4310
	2	230 VAC	HT23-0201-0100
K		Defroster, continuous-duty	
	1	120 VAC	HT21-1201-0100
	1	24 VAC	HT02-0322-4306
	1	230 VAC	HT23-1201-0100
L		Blower	
	1	120 VAC	MM750010003
	1	24 VDC	ED210005
	1	230 VAC*	MM750010003
M	1	Rear heater bracket	MF01-3500-018A
14		Screw, 6-32 x 3/8-inch, Phillips, type F, pan head	ZH6-SFX.375SPP
	4	EH3515L-1/-2/-3	
	6	EH3515L-1HD/-2HD/-3HD	
17	6	Pop rivet, 3/8-inch	ZHRVT1/8X3/8CE
19	2	Internal tooth lock washer, #6	ZH6LWSIS
20	4	Nylon washer	ZH131X361X62N
21	2	Screw	
		EH3515L-1/-3: 6-32 x 1 ¹ / ₂ -inch, Phillips, pan head	ZH6-32X1.50SPS
		EH3515L-2: 6-32 x 1 ³ / ₈ -inch, Phillips, pan head	ZH6-32X1.375SPP
24 VAC Model Only			
**	1	24 VAC rectifier	PCB9000277ASSY

*Uses 120 VAC and resistor (resistor not included)

**Illustrated in 24 VAC wiring diagram in Figure 3.

WIRING FOR LEGACY (EH3515L) MODELS ONLY

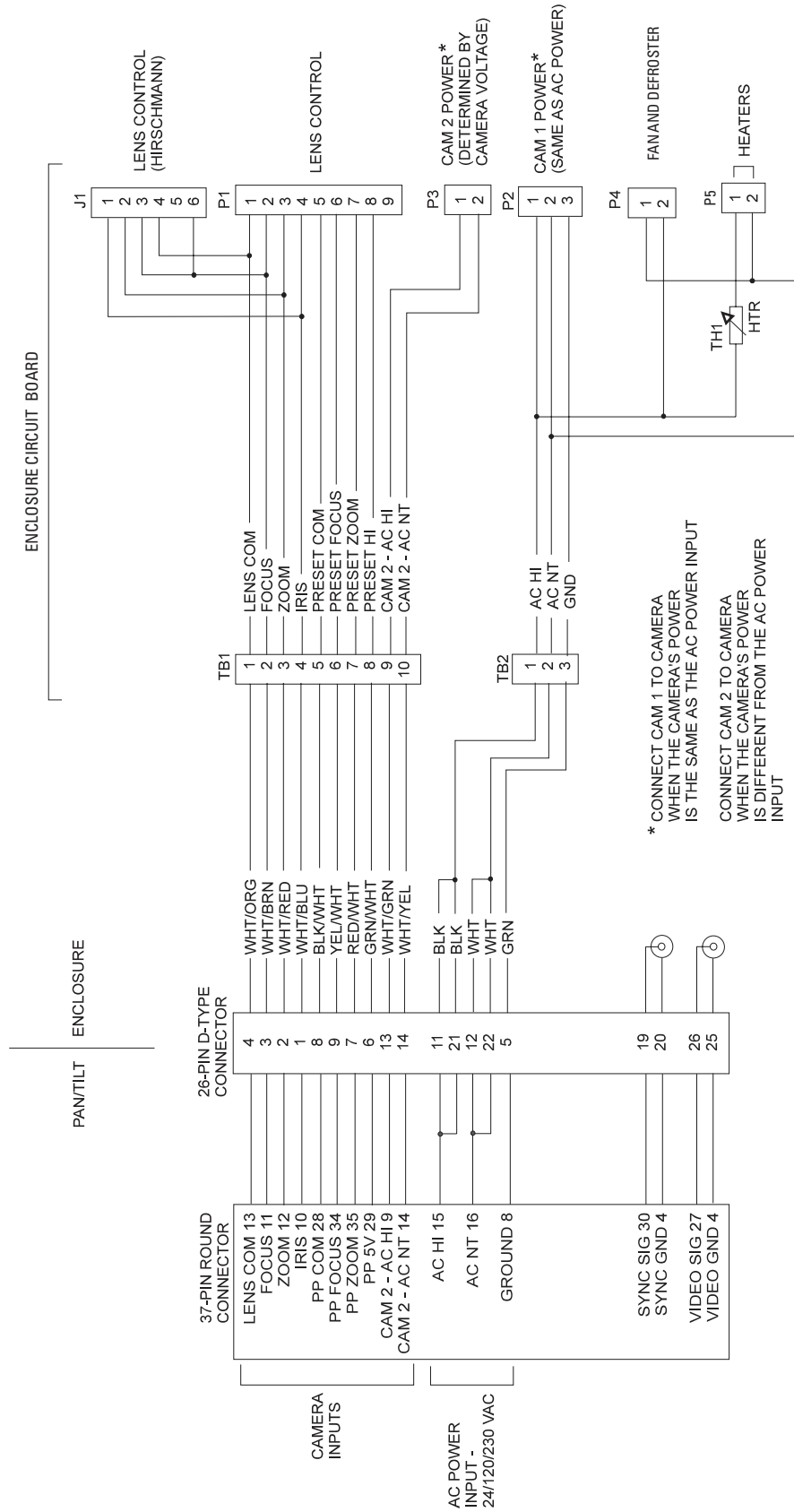


Figure 6. EH3515L Legacy Series Wiring Diagram

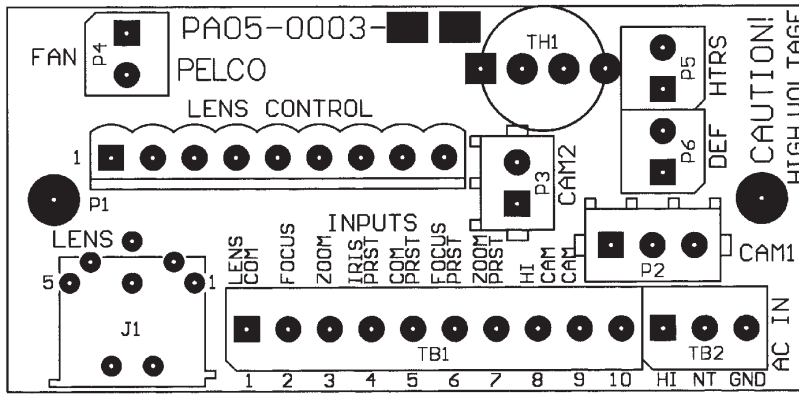


Figure 7. EH3515L Legacy Series Circuit Board Component Locations

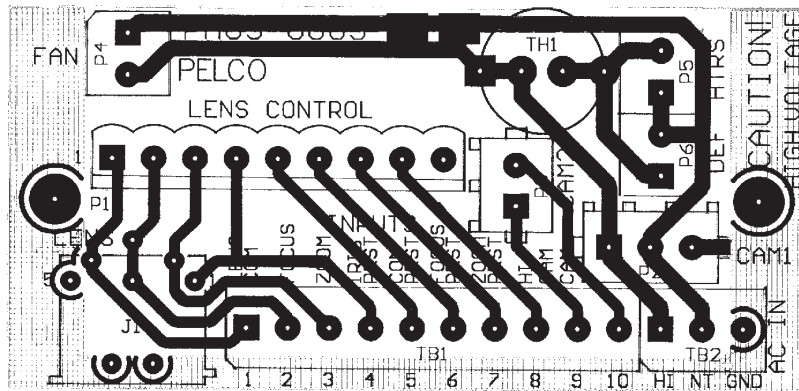


Figure 8. EH3515L Legacy Series Layout of Circuit Board Traces

PRODUCT WARRANTY AND RETURN INFORMATION

WARRANTY

Pelco will repair or replace, without charge, any merchandise proved defective in material or workmanship **for a period of one year** after the date of shipment.

Exceptions to this warranty are as noted below:

- Five years on fiber optic products and TW3000 Series unshielded twisted pair transmission products.
- Three years on Spectra® IV products.
- Three years on Genex® Series products (multiplexers, server, and keyboard).
- Three years on Camclosure® and fixed camera models, except the CC3701H-2, CC3701H-2X, CC3751H-2, CC3651H-2X, MC3651H-2, and MC3651H-2X camera models, which have a five-year warranty.
- Three years on PMCL200/300/400 Series LCD monitors.
- Two years on standard motorized or fixed focal length lenses.
- Two years on Legacy®, CM6700/CM6800/CM9700 Series matrix, and DF5/DF8 Series fixed dome products.
- Two years on Spectra III™, Esprit®, ExSite®, and PS20 scanners, including when used in continuous motion applications.
- Two years on Esprit and WW5700 Series window wiper (excluding wiper blades).
- Two years (except lamp and color wheel) on Digital Light Processing (DLP®) displays. The lamp and color wheel will be covered for a period of 90 days. The air filter is not covered under warranty.
- Eighteen months on DX Series digital video recorders, NVR300 Series network video recorders, and Endura™ Series distributed network-based video products.
- One year (except video heads) on video cassette recorders (VCRs). Video heads will be covered for a period of six months.
- Six months on all pan and tilts, scanners or preset lenses used in continuous motion applications (that is, preset scan, tour and auto scan modes).

Pelco will warrant all replacement parts and repairs for 90 days from the date of Pelco shipment. All goods requiring warranty repair shall be sent freight prepaid to Pelco, Clovis, California. Repairs made necessary by reason of misuse, alteration, normal wear, or accident are not covered under this warranty.

Pelco assumes no risk and shall be subject to no liability for damages or loss resulting from the specific use or application made of the Products. Pelco's liability for any claim, whether based on breach of contract, negligence, infringement of any rights of any party or product liability, relating to the Products shall not exceed the price paid by the Dealer to Pelco for such Products. In no event will Pelco be liable for any special, incidental or consequential damages (including loss of use, loss of profit and claims of third parties) however caused, whether by the negligence of Pelco or otherwise.

The above warranty provides the Dealer with specific legal rights. The Dealer may also have additional rights, which are subject to variation from state to state.

If a warranty repair is required, the Dealer must contact Pelco at (800) 289-9100 or (559) 292-1981 to obtain a Repair Authorization number (RA), and provide the following information:

1. Model and serial number
2. Date of shipment, P.O. number, Sales Order number, or Pelco invoice number
3. Details of the defect or problem

If there is a dispute regarding the warranty of a product which does not fall under the warranty conditions stated above, please include a written explanation with the product when returned.

Method of return shipment shall be the same or equal to the method by which the item was received by Pelco.

RETURNS

In order to expedite parts returned to the factory for repair or credit, please call the factory at (800) 289-9100 or (559) 292-1981 to obtain an authorization number (CA number if returned for credit, and RA number if returned for repair).

All merchandise returned for credit may be subject to a 20% restocking and refurbishing charge.

Goods returned for repair or credit should be clearly identified with the assigned CA or RA number and freight should be prepaid. Ship to the appropriate address below.

If you are located within the continental U.S., Alaska, Hawaii or Puerto Rico, send goods to:

Service Department
Pelco
3500 Pelco Way
Clovis, CA 93612-5699


If you are located outside the continental U.S., Alaska, Hawaii or Puerto Rico and are instructed to return goods to the USA, you may do one of the following:

If the goods are to be sent by a COURIER SERVICE, send the goods to:

Pelco
3500 Pelco Way
Clovis, CA 93612-5699 USA

If the goods are to be sent by a FREIGHT FORWARDER, send the goods to:

Pelco c/o Expeditors
473 Eccles Avenue
South San Francisco, CA 94080 USA
Phone: 650-737-1700
Fax: 650-737-0933

 The materials used in the manufacture of this document and its components are compliant to the requirements of Directive 2002/95/EC.



This equipment contains electrical or electronic components that must be recycled properly to comply with Directive 2002/96/EC of the European Union regarding the disposal of waste electrical and electronic equipment (WEEE). Contact your local dealer for procedures for recycling this equipment.

REVISION HISTORY

Manual #	Date	Comments
C478SM	8/98	Original version.
	8/99	Added EH3508 Series and EH3515L Legacy® Series service and maintenance information. Revised the description, list of models, exploded assembly diagrams, parts lists, and wiring diagrams.
C478SM-A	4/07	Updated wattages and parts lists. Added PCB cover to Figure 2 and ECO 05-10784. Revised to new format.



Worldwide Headquarters
3500 Pelco Way
Clovis, California 93612 USA

USA & Canada
Tel: 800/289-9100
Fax: 800/289-9150

International
Tel: 1-559/292-1981
Fax: 1-559/348-1120

www.pelco.com

ISO9001

Australia | Canada | Finland | France | Germany | Italy | Macau | The Netherlands | Russia | Singapore
South Africa | Spain | Sweden | United Arab Emirates | United Kingdom | United States