



VS5004/VS5008 Sequential Switcher



C808M-G (4/05)

Contents

Description	3
Models	3
Installation	4
Terminated Camera Inputs and One Monitor Output	4
Looping Camera Inputs and One Monitor Output	7
Terminated Camera Inputs and Two Monitor Outputs	9
Looping Camera Inputs and Two Monitor Outputs	12
Coaxitron Control	14
Specifications	17

List of Illustrations

1	VS5004 Terminated Camera Inputs - One Monitor	4
2	VS5008 Terminated Camera Inputs - One Monitor	5
3	VS5004 Alarm Connections	5
4	VS5008 Alarm Connections	6
5	Looping Conversion Modification	8
6	VS5004 Looping Camera Inputs - One Monitor	8
7	VS5008 Looping Camera Inputs - One Monitor	9
8	VS5004 Conversion For Two-Monitor Operation	10
9	VS5004 Terminated Camera Inputs - Two Monitors	11
10	VS5008 Terminated Camera Inputs - Two Monitors	11
11	VS5004 Looping Camera Inputs - Two Monitors	13
12	VS5008 Looping Camera Inputs - Two Monitors	13
13	VS5004 with Coaxitron Control	16
14	VS5008 with Coaxitron Control	16

Description

The VS5004 and VS5008 sequential switchers are designed to switch up to four (VS5004) or eight (VS5008) cameras manually or automatically to one or two monitors with automatic response to alarm inputs. Both versions are Coaxitron® compatible and can be placed on a desktop or rack mounted.

MODELS

VS5004	Sequential switcher with four camera inputs and two monitor outputs, 120 VAC
VS5004/220	Same as VS5004 except 230 VAC
VS5008	Sequential switcher with eight camera inputs and two monitor outputs, 120 VAC
VS5008/220	Same as VS5008 except 230 VAC

Installation

TERMINATED CAMERA INPUTS AND ONE MONITOR OUTPUT

1. Make all equipment connections. Refer to Figure 1 (VS5004) or Figure 2 (VS5008).

VS5008 only: When configured for one-monitor operation, the monitor must be connected to the MON 2 output. The MON 1 output must be terminated with a 75-ohm BNC terminator.

2. Make alarm connections if required. Refer to Figure 3 (VS5004) or Figure 4 (VS5008) and do the following:

VS5004

a. **Input:** Connect the alarm contact between the appropriate input (pins 1-4) and common (pin 5) on the 6-pin connector receptacle. Pins 1 thru 4 directly correspond with the like-numbered front panel camera switches of the VS5004. The alarm output is an open-collector NPN transistor. Current from the output to circuit ground should not exceed 600 mA.

b. **Output:** To activate an external device during an alarm, connect the device at pins 5 and 6 on the 6-pin connector.

VS5008

a. **Input:** Connect the alarm contact between the appropriate ALARM INPUT (terminals 1-8) and common (COM) terminal. The alarm output is an open-collector NPN transistor. Current from the output to circuit ground should not exceed 40 mA.

b. **Output:** To activate an external device during an alarm, connect the device at the ALARM OUT terminal and the common (COM) terminal.

3. Set the ALARM switch to the ON position.

NOTES:

- When an alarm occurs, the monitor immediately switches to the alarmed channel, and the associated LED blinks. Multiple alarmed channels sequence every five seconds (VS5004) or three seconds (VS5008). The alarm has priority over the MONITOR/AUTO/BYPASS switch settings.
 - Once triggered, the alarm remains on until the input condition is removed or the ALARM switch is moved to the OFF position.
 - When the ALARM switch is set to the OFF position, all alarm inputs are ignored.
4. For channels with cameras connected to the video inputs, set the front panel switches to the AUTO position. All unconnected video inputs should have their channel switches set to the BYPASS position.

NOTE: All channels with a switch in the AUTO position will automatically sequence through the monitor. To view one specific channel continuously, set the corresponding switch to the MONITOR position. To remove a channel from the sequence, set the corresponding switch to the BYPASS position.

5. Connect the AC adapter to the 12 VAC input plug on the rear of the VS5004 or VS5008. Connect the transformer to a 120 VAC (VS5004 or VS5008) or 230 VAC (VS5004/220 or VS5008/220) power source. After power up, the switcher will begin sequencing.
6. Using a screwdriver, adjust the DWELL interval control to the desired setting. This control adjusts the interval time from a minimum of 1 second to a maximum of 70 seconds nominal. To increase the interval, turn the control clockwise. To decrease the interval, turn the control counterclockwise. The DWELL interval control is a precision 15-turn potentiometer. Each complete turn of this control will adjust the time interval by approximately 4 to 5 seconds.

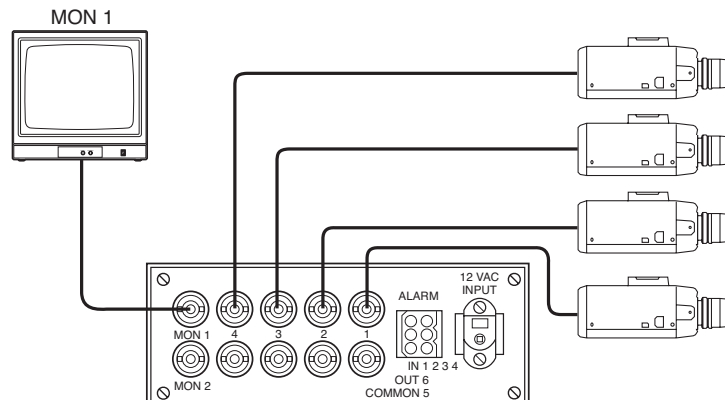


Figure 1. VS5004 Terminated Camera Inputs - One Monitor

NOTE: MON 1 MUST BE TERMINATED.

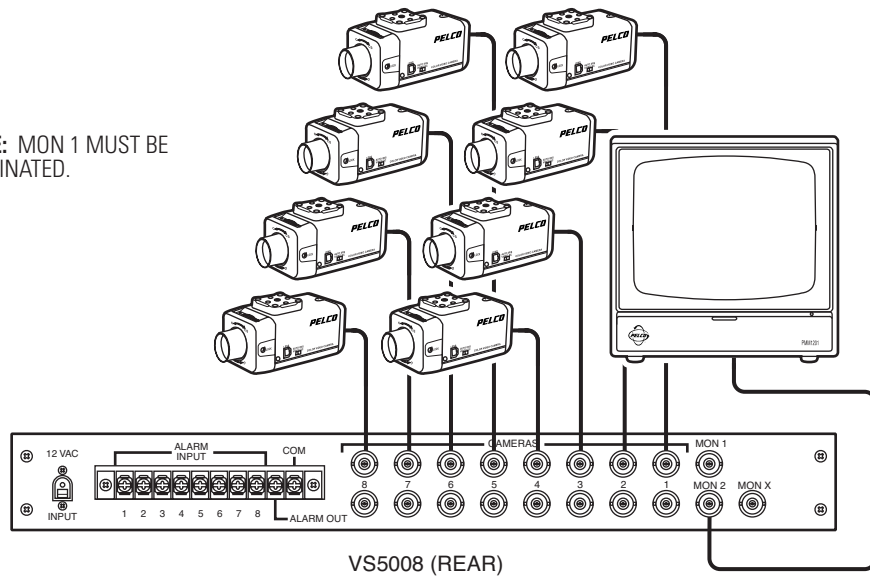


Figure 2. VS5008 Terminated Camera Inputs - One Monitor

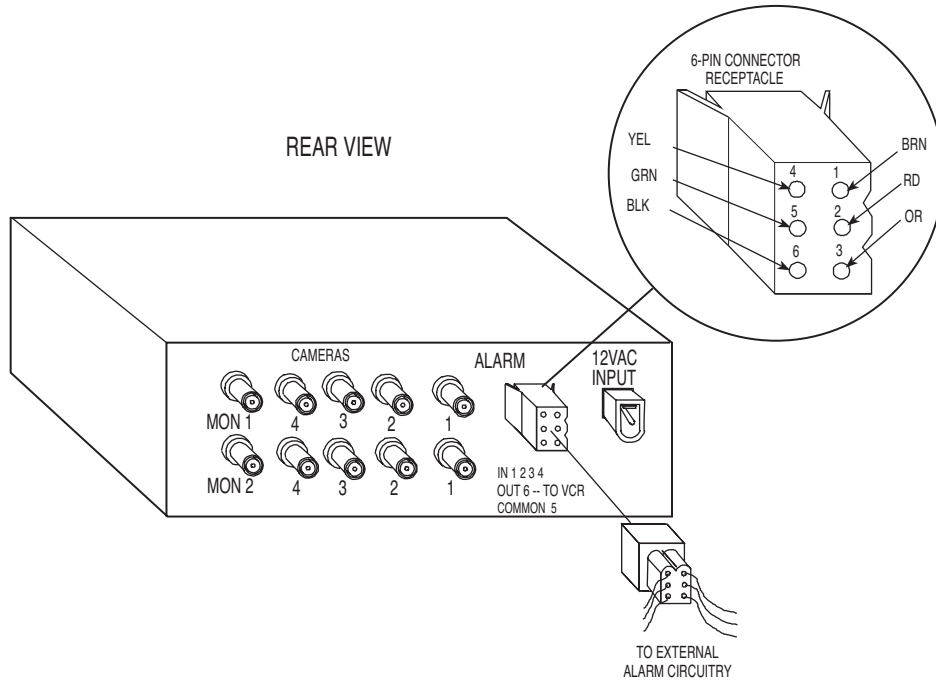


Figure 3. VS5004 Alarm Connections

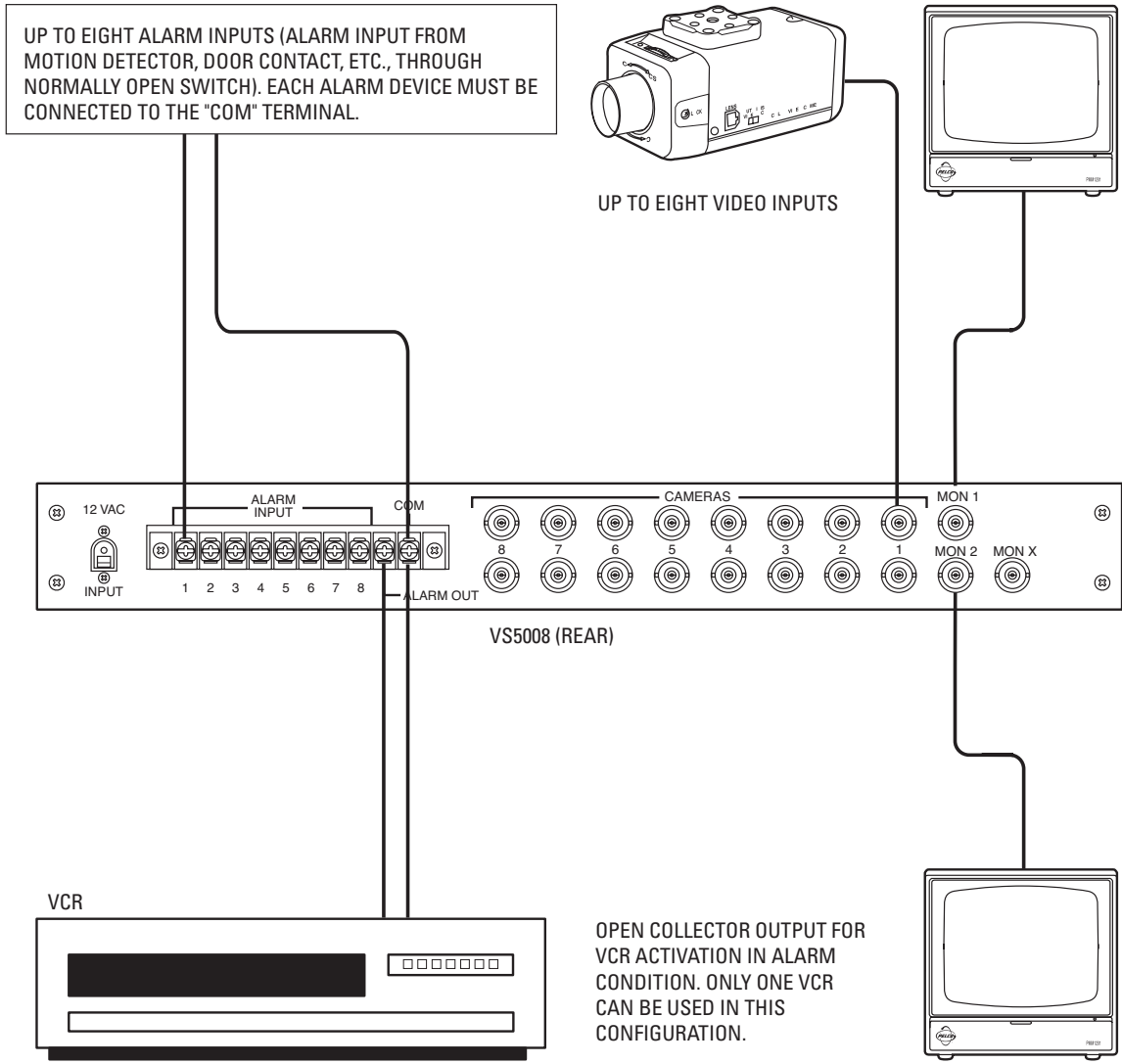


Figure 4. VS5008 Alarm Connections

LOOPING CAMERA INPUTS AND ONE MONITOR OUTPUT

1. Convert the switcher to looping operation. Refer to Figure 5 and do the following:

NOTE: Looping and terminated inputs may be mixed.

- a. Remove the cover.
- b. Remove the rear panel of the chassis.
- c. Locate the 75-ohm resistors located on the inside of the rear panel BNC jacks.
- d. For each input to be looped, use wire cutters to clip one of the attached resistor leads.
- e. Replace the cover.

2. Make all equipment connections. Refer to Figure 6 (VS5004) or Figure 7 (VS5008).

VS5008 only: When configured for one-monitor operation, the monitor must be connected to the MON 2 output. The MON 1 output must be terminated with a 75-ohm BNC terminator.

3. Make alarm connections if required. Refer to Figure 3 (VS5004) or Figure 4 (VS5008) and do the following:

VS5004

- a. **Input:** Connect the alarm contact between the appropriate input (pins 1-4) and common (pin 5) on the 6-pin connector receptacle. Pins 1 thru 4 correspond directly with the like-numbered front panel camera switches of the VS5004. The alarm output is an open-collector NPN transistor. Current from the output to circuit ground should not exceed 600 mA.
- b. **Output:** To activate an external device during an alarm, connect the device at pins 5 and 6 on the 6-pin connector.

VS5008

- a. **Input:** Connect the alarm contact between the appropriate ALARM INPUT (terminals 1-8) and common (COM) terminal. The alarm output is an open-collector NPN transistor. Current from the output to circuit ground should not exceed 40 mA.
- b. **Output:** To activate an external device during an alarm, connect the device at the ALARM OUT terminal and the common (COM) terminal.

4. Set the ALARM switch to the ON position.

NOTES:

- When an alarm occurs, the monitor immediately switches to the alarmed channel, and the associated LED blinks. Multiple alarmed channels sequence every five seconds (VS5004) or three seconds (VS5008). The alarm has priority over the MONITOR/AUTO/BYPASS switch settings.
 - Once triggered, the alarm remains on until the input condition is removed or the ALARM switch is moved to the OFF position.
 - When in the ALARM switch is set to the OFF position, all alarm inputs are ignored.
5. For channels with cameras connected to the video inputs, set the front panel switches to the AUTO position. All unconnected video inputs should have their channel switch set to the BYPASS position.

NOTE: All channels with a switch in the AUTO position will automatically sequence through the monitor. To view one specific channel continuously, set the corresponding switch to the MONITOR position. To remove a channel from the sequence, set the corresponding switch to the BYPASS position.

6. Connect the AC adapter to the 12 VAC input plug on the rear of the VS5004 or VS5008. Connect the transformer to a 120 VAC (VS5004 or VS5008) or 230 VAC (VS5004/220 or VS5008/220) power source. After power up, the switcher will begin sequencing.
7. Using a screwdriver, adjust the DWELL interval control to the desired setting. This control adjusts the interval time from a minimum of 1 second to a maximum of 70 seconds nominal. To increase the interval, turn the control clockwise. To decrease the interval, turn the control counterclockwise. The DWELL interval control is a precision 15-turn potentiometer. Each complete turn of this control will adjust the time interval by approximately 4 to 5 seconds.

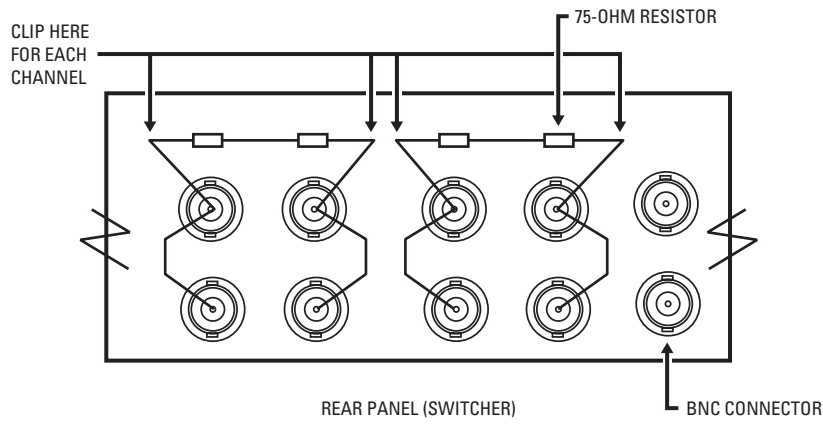


Figure 5. Looping Conversion Modification

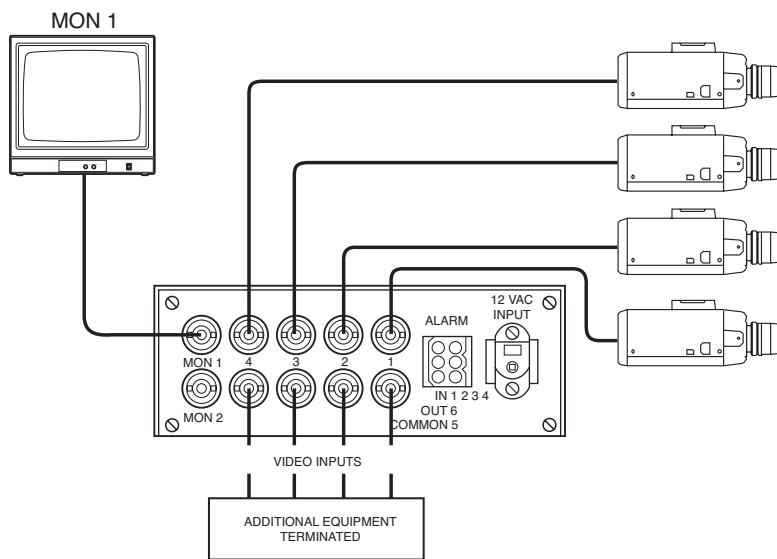


Figure 6. VS5004 Looping Camera Inputs - One Monitor

NOTE: IN THIS CONFIGURATION, MON 1 MUST BE TERMINATED AND THE UNIT MUST BE MODIFIED TO BE LOOPING (REFER TO FIGURE 5).

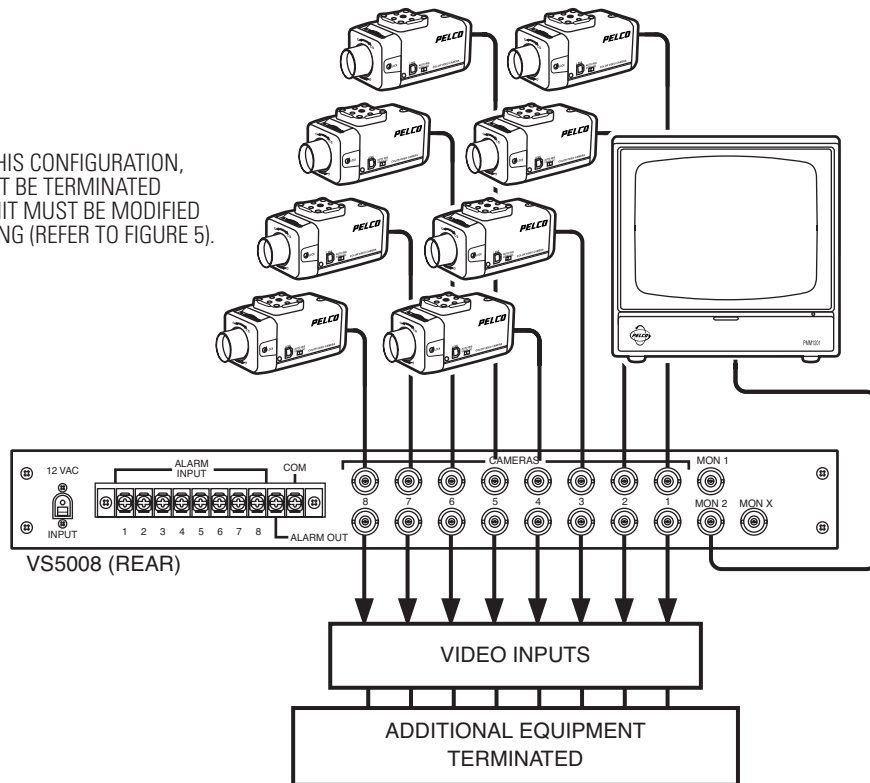


Figure 7. VS5008 Looping Camera Inputs - One Monitor

TERMINATED CAMERA INPUTS AND TWO MONITOR OUTPUTS

1. Convert the VS5004 to dual-monitor operation. Refer to Figure 8 and do the following:
 - a. Remove the cover.
 - b. Remove the rear panel of the chassis.
 - c. Remove the four screws attaching the PC board to the chassis.
 - d. Pull the PC board and rear panel assembly out of the chassis.
 - e. Turn the PC board over and rewire.
 - f. Replace the PC board, rear panel assembly, and cover.
2. Make all equipment connections. Refer to Figure 9 (VS5004) or Figure 10 (VS5008).

VS5004 only: In this configuration, MON 1 must be terminated with a 75-ohm terminator and MON 2 must be terminated in the HI Z position.

3. Make alarm connections if required. Refer to Figure 3 (VS5004) or Figure 4 (VS5008) and do the following:

VS5004

- a. **Input:** Connect the alarm contact between the appropriate input (pins 1-4) and common (pin 5) on the 6-pin connector receptacle. Pins 1 thru 4 correspond directly with the like-numbered front panel camera switches of the VS5004. The alarm output is an open-collector NPN transistor. Current from the output to circuit ground should not exceed 600 mA.
- b. **Output:** To activate an external device during an alarm, connect the device at pins 5 and 6 on the 6-pin connector.

VS5008

- a. **Input:** Connect the alarm contact between the appropriate ALARM INPUT (terminals 1-8) and common (COM) terminal. The alarm output is an open-collector NPN transistor. Current from the output to circuit ground should not exceed 40 mA.
- b. **Output:** To activate an external device during an alarm, connect the device at the ALARM OUT terminal and the common (COM) terminal.

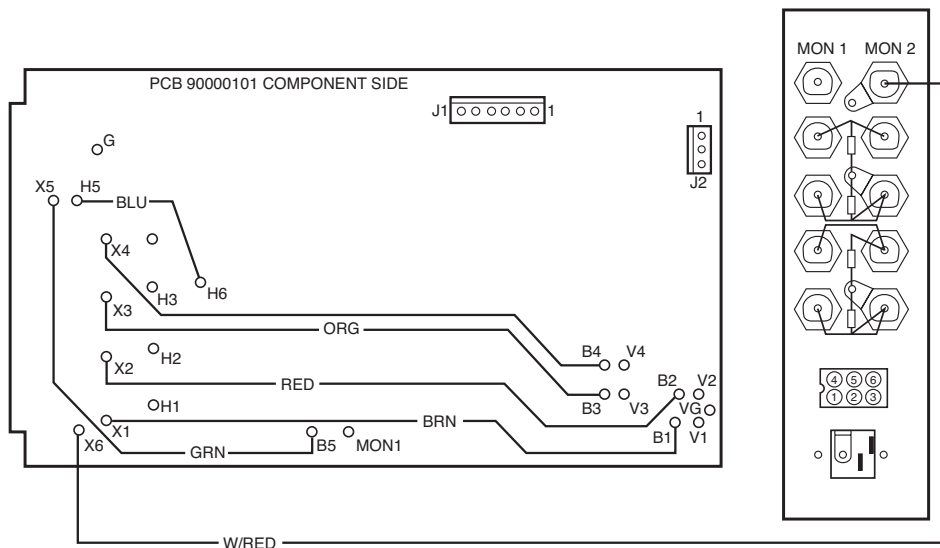
- Set the ALARM switch to the ON position.

NOTES:

- With all channel switches set to the AUTO position, both monitors immediately switch to the alarmed channel and the associated LED blinks. Multiple alarmed channels sequence every five seconds (VS5004) or three seconds (VS5008). The alarm has priority over the MONITOR/AUTO/BYPASS switch settings.
 - If a channel switch is set to the MONITOR position, Monitor 1 switches to the alarmed channel while Monitor 2 displays the selected (MONITOR) channel.
 - If a channel switch is set to the BYPASS position, Monitor 1 switches to that channel if it is alarmed.
 - Once triggered, the alarm remains on until the input condition is removed or the ALARM switch is moved to the OFF position.
 - When in the ALARM switch is set to the OFF position, all alarm inputs are ignored.
- For channels with cameras connected to the video inputs, set the front panel switches to the AUTO position. All unconnected video inputs should have their channel switch set to the BYPASS position.

NOTES:

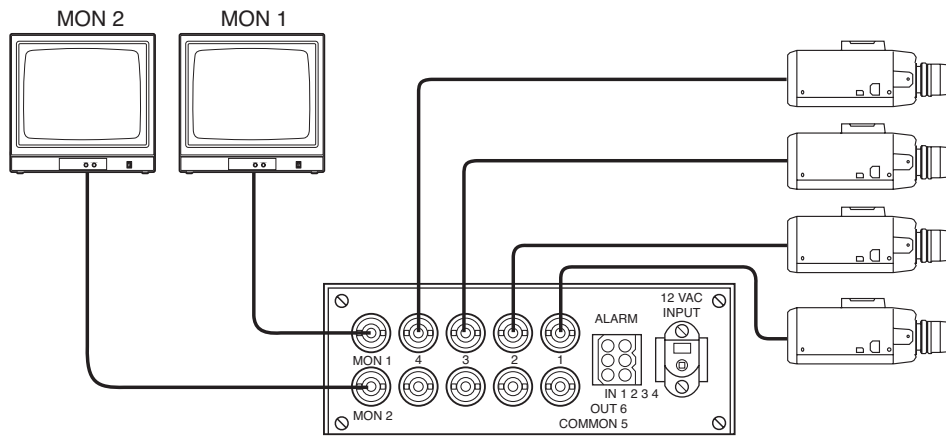
- With all channel switches in the AUTO position, both monitors sequence simultaneously.
 - Monitor 2 can be manually switched to any channel for continuous viewing by setting the desired channel's switch to the MONITOR position. If multiple channels are set to MONITOR, only the lowest numbered channel will be displayed. This does not affect the sequencing for Monitor 1.
 - To remove a channel from the sequence, set the corresponding switch to the BYPASS position.
- Connect the AC adapter to the 12 VAC input plug on the rear of the VS5004 or VS5008. Connect the transformer to a 120 VAC (VS5004 or VS5008) or 230 VAC (VS5004/220 or VS5008/220) power source. After power up, the switcher will begin sequencing.
 - Using a screwdriver, adjust the DWELL interval control to the desired setting. This control adjusts the interval time from a minimum of 1 second to a maximum of 70 seconds nominal. To increase the interval, turn the control clockwise. To decrease the interval, turn the control counterclockwise. The DWELL interval control is a precision 15-turn potentiometer. Each complete turn of this control will adjust the time interval by approximately 4 to 5 seconds.



TO CONVERT PC BOARD TO TWO MONITOR OPERATION, REROUTE THE JUMPER WIRES AS FOLLOWS.

WIRE COLOR	REMOVE WIRE FROM PIN	CONNECT WIRE TO PIN
BROWN	H1	B1
RED	H2	B2
ORANGE	H3	B3
YELLOW	H4	B4
GREEN	H5	B5
BLUE	X6	H5
WHITE/RED	G	X6

Figure 8. VS5004 Conversion For Two-Monitor Operation



NOTE: IN THIS CONFIGURATION, MON 1 MUST BE TERMINATED WITH A 75-OHM TERMINATOR AND MON 2 MUST BE IN THE "HI Z" POSITION.

Figure 9. VS5004 Terminated Camera Inputs - Two Monitors

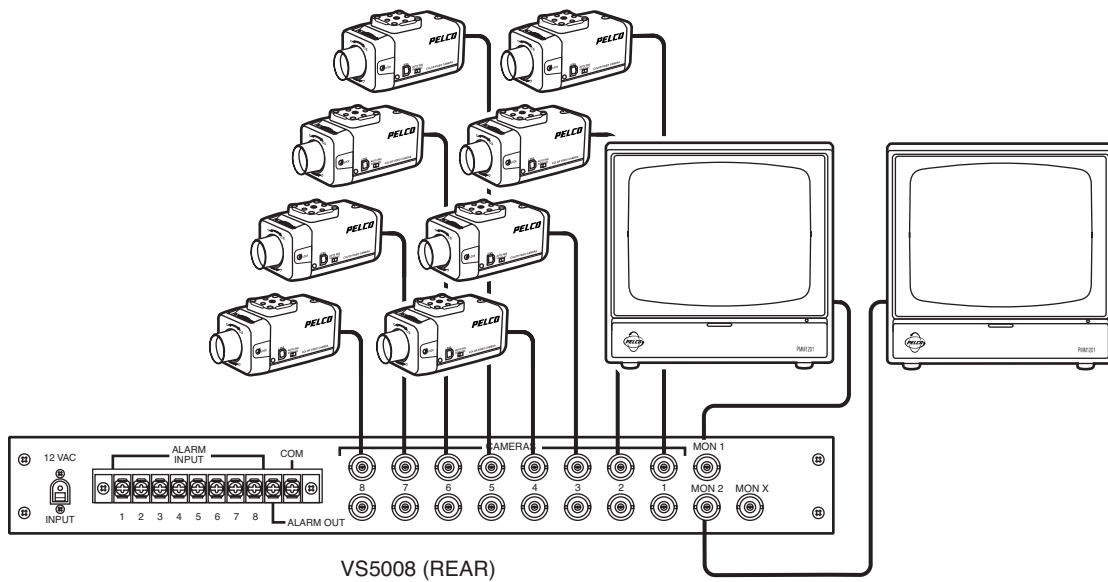


Figure 10. VS5008 Terminated Camera Inputs - Two Monitors

LOOPING CAMERA INPUTS AND TWO MONITOR OUTPUTS

1. Convert the VS5004 to dual-monitor operation. Refer to Figure 8 and do the following:
 - a. Remove the cover.
 - b. Remove the rear panel of the chassis.
 - c. Remove the four screws attaching the PC board to the chassis.
 - d. Pull the PC board and rear panel assembly out of the chassis.
 - e. Turn the PC board over and rewire.
2. Convert to looping operation. Refer to Figure 5 and do the following:

NOTE: Looping and terminated inputs may be mixed.

- a. Locate the 75-ohm resistors located on the inside of the rear panel BNC jacks.
 - b. For each input to be looped, use wire cutters to clip one of the attached resistor leads.
 - c. Replace the cover.
3. Make all equipment connections. Refer to Figure 11 (VS5004) or Figure 12 (VS5008).

(VS5004 only) In this configuration, MON 1 must be terminated with a 75-ohm terminator and MON 2 must be terminated in the HI Z position.

4. Make alarm connections if required. Refer to Figure 3 (VS5004) or Figure 4 (VS5008) and do the following:

VS5004

- a. **Input:** Connect the alarm contact between the appropriate input (pins 1-4) and common (pin 5) on the 6-pin connector receptacle. Pins 1 thru 4 correspond directly with the like-numbered front panel camera switches of the VS5004. The alarm output is an open-collector NPN transistor. Current from the output to circuit ground should not exceed 600 mA.
- b. **Output:** To activate an external device during an alarm, connect the device at pins 5 and 6 on the 6-pin connector.

VS5008

- a. **Input:** Connect the alarm contact between the appropriate ALARM INPUT (terminals 1-8) and common (COM) terminal. The alarm output is an open-collector NPN transistor. Current from the output to circuit ground should not exceed 40 mA.
- b. **Output:** To activate an external device during an alarm, connect at the ALARM OUT terminal and the common (COM) terminal.

5. Set the ALARM switch to the ON position.

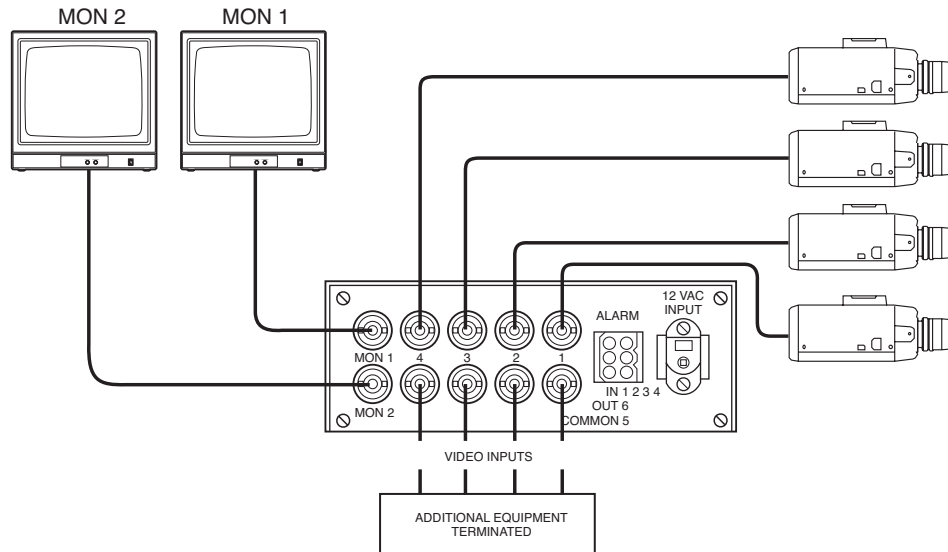
NOTES:

- With all channel switches set to the AUTO position, both monitors immediately switch to the alarmed channel and the associated LED blinks. Multiple alarmed channels sequence every five seconds (VS5004) or three seconds (VS5008). The alarm has priority over the MONITOR/AUTO/BYPASS switch settings.
 - If a channel switch is set to the MONITOR position, Monitor 1 switches to the alarmed channel while Monitor 2 displays the selected (MONITOR) channel.
 - If a channel switch is set to the BYPASS position, Monitor 1 switches to that channel if alarmed.
 - Once triggered, the alarm remains on until the input condition is removed or the ALARM switch is moved to the OFF position.
 - When in the ALARM switch is set to the OFF position, all alarm inputs are ignored.
6. For channels with cameras connected to the video inputs, set the front panel switches to the AUTO (center) position. All unconnected video inputs should have their channel switch set to the BYPASS (down) position.

NOTES:

- With all channel switches in the AUTO position, both monitors sequence simultaneously.
- Monitor 2 can be manually switched to any channel for continuous viewing by setting the desired channel's switch to the MONITOR position. If multiple channels are set to MONITOR, only the lowest numbered channel will be displayed. This does not affect the sequencing for Monitor 1.
- To remove a channel from the sequence, set the corresponding switch to the BYPASS position.

7. Connect the AC adapter to the 12 VAC input plug on the rear of the VS5004 or VS5008. Connect the transformer to a 120 VAC (VS5004 or VS5008) or 230 VAC (VS5004/220 or VS5008/220) power source. After power up, the switcher will begin sequencing.
8. Using a screwdriver, adjust the DWELL interval control to the desired setting. This control adjusts the interval time from a minimum of 1 second to a maximum of 70 seconds nominal. To increase the interval, turn the control clockwise. To decrease the interval, turn the control counterclockwise. The DWELL interval control is a precision 15-turn potentiometer. Each complete turn of this control will adjust the time interval by approximately 4 to 5 seconds.



NOTE: MON 1 MUST BE TERMINATED WITH A 75-OHM TERMINATOR AND MON 2 MUST BE IN THE "HI Z" POSITION.

Figure 11. VS5004 Looping Camera Inputs - Two Monitors

NOTE: In this configuration the unit must be modified in order to be looping (refer to figure 5).

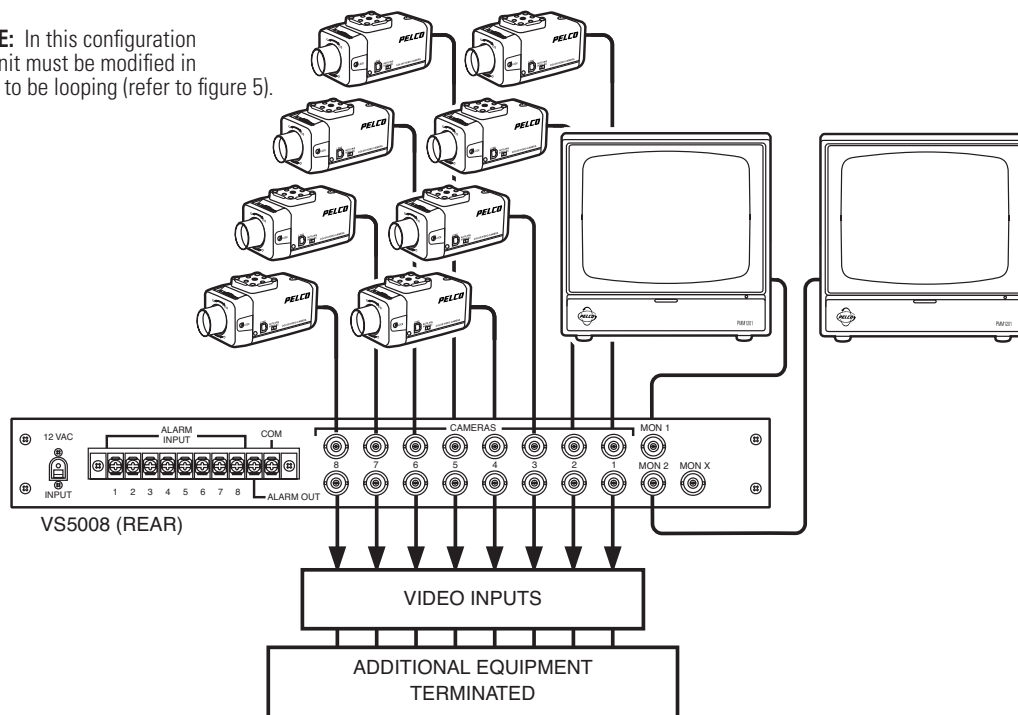


Figure 12. VS5008 Looping Camera Inputs- Two Monitors

COAXITRON CONTROL

To convert for use with a Coaxitron transmitter, do the following:

1. Convert the VS5004 to dual-monitor operation. Refer to Figure 8 and do the following:
 - a. Remove the cover.
 - b. Remove the rear panel of the chassis.
 - c. Remove the four screws attaching the PC board to the chassis.
 - d. Pull the PC board and rear panel assembly out of the chassis.
 - e. Turn the PC board over and rewire.
2. Convert to looping operation. Refer to Figure 5 and do the following:

NOTE: Looping and terminated inputs may be mixed.

- a. Locate the 75-ohm resistors located on the inside of the rear panel BNC jacks.
 - b. For each input to be looped, use wire cutters to clip one of the attached resistor leads.
 - c. Replace the cover.
3. Make all equipment connections. Refer to Figure 13 (VS5004) or Figure 14 (VS5008).

VS5004

- The Coaxitron transmitter must be passive (nonamplified).
- To operate a camera via Coaxitron signals, the corresponding channel switch must be in the MONITOR position.

VS5008

- The Coaxitron transmitter must be active (amplified).

4. Make alarm connections if required. Refer to Figure 3 (VS5004) or Figure 4 (VS5008) and do the following:

VS5004

- a. **Input:** Connect the alarm contact between the appropriate input (pins 1-4) and common (pin 5) on the 6-pin connector receptacle. Pins 1 thru 4 correspond directly with the like-numbered front panel camera switches of the VS5004. The alarm output is an open-collector NPN transistor. Current from the output to circuit ground should not exceed 600 mA.
- b. **Output:** To activate an external device during an alarm, connect the device at pins 5 and 6 on the 6-pin connector.

VS5008

- a. **Input:** Connect the alarm contact between the appropriate ALARM INPUT (terminals 1-8) and common (COM) terminal. The alarm output is an open-collector NPN transistor. Current from the output to circuit ground should not exceed 40 mA.
- b. **Output:** To activate an external device during an alarm, connect the device at the ALARM OUT terminal and the common (COM) terminal.

5. Set the ALARM switch to the ON position.

NOTES:

- When an alarm occurs, the monitor immediately switches to the alarmed channel, and the associated LED blinks. Multiple alarmed channels sequence every five seconds (VS5004) or three seconds (VS5008). The alarm has priority over the MONITOR/AUTO/BYPASS switch settings.

VS5008 with two-monitor configuration:

- If a channel switch is set to the MONITOR position, Monitor 1 switches to the alarmed channel while Monitor 2 displays the selected (MONITOR) channel.
- If a channel switch is set to the BYPASS position, Monitor 1 switches to that channel if alarmed.
- Once triggered, the alarm remains on until the input condition is removed or the ALARM switch is moved to the OFF position.
- When in the ALARM switch is set to the OFF position, all alarm inputs are ignored.

6. For channels with cameras connected to the video inputs, set the front panel switches to the AUTO position. All unconnected video inputs should have their channel switch set to the BYPASS position.

NOTES:

- **VS5004 and VS5008 with one-monitor configuration:** All channels with a switch set in the AUTO position will automatically sequence through the monitor. To view one specific channel continuously, set the corresponding switch to the MONITOR position. To remove a channel from the sequence, set the corresponding switch to the BYPASS position.
 - **VS5008 with two-monitor configuration:**
 - With all channel switches in the AUTO position, both monitors sequence simultaneously.
 - Monitor 2 can be manually switched to any channel for continuous viewing by setting the desired channel's switch to the MONITOR position. If multiple channels are set to MONITOR, only the lowest numbered channel will be displayed. This does not affect the sequencing for Monitor 1.
 - To remove a channel from the sequence, set the corresponding switch to the BYPASS position.
7. Connect the AC adapter to the 12 VAC input plug on the rear of the VS5004 or VS5008. Connect the transformer to a 120 VAC (VS5004 or VS5008) or 230 VAC (VS5004/220 or VS5008/220) power source. After power up, the switcher will begin sequencing.
 8. Using a screwdriver, adjust the DWELL interval control to the desired setting. This control adjusts the interval time from a minimum of 1 second to a maximum of 70 seconds nominal. To increase the interval, turn the control clockwise. To decrease the interval, turn the control counterclockwise. The DWELL interval control is a precision 15-turn potentiometer. Each complete turn of this control will adjust the time interval by approximately 4 to 5 seconds.

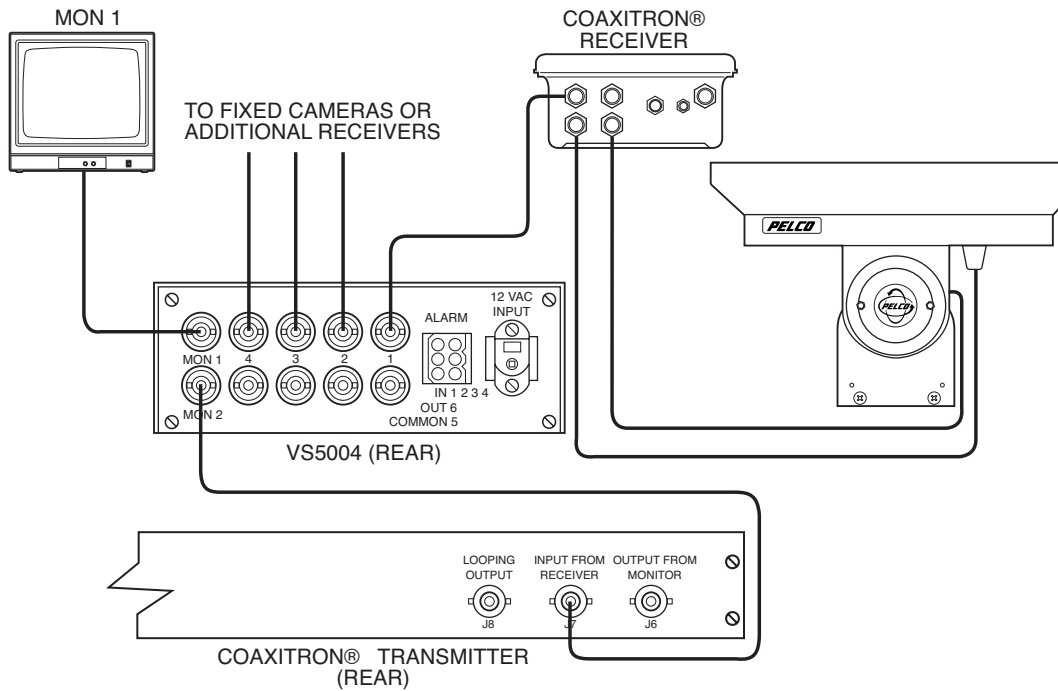
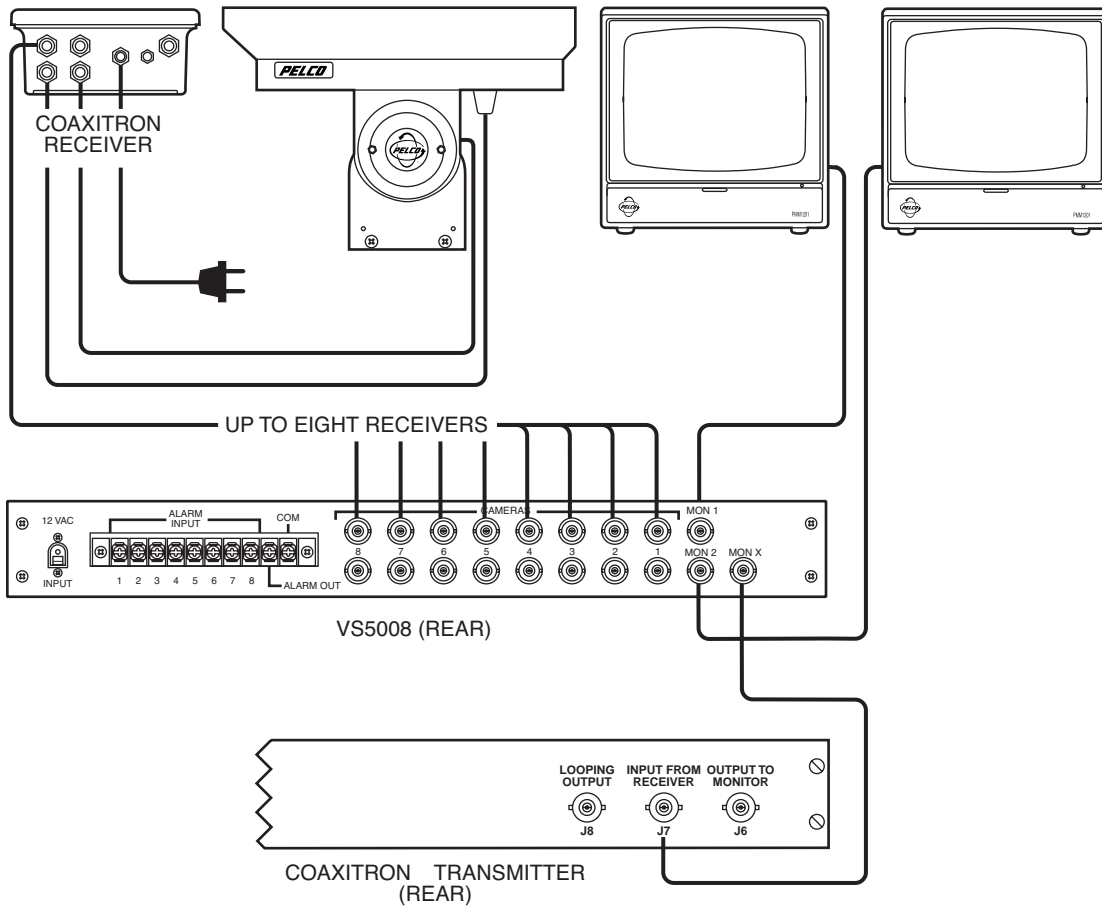


Figure 13. VS5004 with Coaxitron Control



NOTE: IN THIS CONFIGURATION, THE LOOPING OUTPUT (J8) IS UNTERMINATED.

Figure 14. VS5008 with Coaxitron Control

Specifications

VIDEO

Inputs	Terminating (75 ohms) or looping
Outputs	
Monitor 1	75 ohms
Monitor 2	
VS5004	Hi Z
VS5008	75 ohms
Monitor X	
VS5008	Coaxitron transmitter (nonamplified) output
Gain	Unity
Dwell	Adjustable from 1-70 seconds nominal
Frequency	
Response	Flat within +/-1 dB to 10 MHz
Maximum	
Signal Level	2 Vp-p
Tilt	Less than 2%
Crosstalk	Better than -40 dB at 5.5 MHz

ELECTRICAL

Power Requirements for Transformer	1.5 VA (0.125 A) at 12 volts RMS +/-15%, 50/60 Hz from a dedicated, isolated 120 or 230 VAC power source. Wall transformer is provided with unit NOTE: These units are also capable of operating on 12 VDC for mobile applications.
Connectors	BNC
Alarm In	Normally open relay contact, 10 V at 1 mA
Alarm Out	Open collector

GENERAL

Construction	
Chassis	Steel, zinc plated
Cover	Steel, black polyester powder coat
Panel	Aluminum, black polyester powder coat with white silk screen
Environment	32° to 120°F (0° to 49°C)
Dimensions	
VS5004	1.75" H x 5.63" W x 8.75" D inches (4.45 x 14.30 x 22.23 cm)
VS5008	1.75" H x 14.50" W x 8.50" D inches (4.45 x 36.83 x 21.59 cm)
Weight	
VS5004	2.5 lb (1.13 kg)
VS5008	7 lb (3.17 kg)
Rating	Meets Nema Type 1 standards

PRODUCT WARRANTY AND RETURN INFORMATION

WARRANTY

Pelco will repair or replace, without charge, any merchandise proved defective in material or workmanship **for a period of one year** after the date of shipment.

Exceptions to this warranty are as noted below:

- Five years on FT/FR8000 Series fiber optic products.
- Three years on Genex® Series products (multiplexers, server, and keyboard).
- Three years on Camclosure® and fixed camera models, except the CC3701H-2, CC3701H-2X, CC3751H-2, CC3651H-2X, MC3651H-2, and CC3651H-2X camera models, which have a five-year warranty.
- Two years on standard motorized or fixed focal length lenses.
- Two years on Legacy®, CM6700/CM6800/CM9700 Series matrix, and DF5/DF8 Series fixed dome products.
- Two years on Spectra®, Esprit®, ExSite™, and PS20 Scanners, including when used in continuous motion applications.
- Two years on Esprit® and WW5700 Series window wiper (excluding wiper blades).
- Eighteen months on DX Series digital video recorders, NVR300 Series network video recorders, and Endura™ Series distributed network-based video products.
- One year (except video heads) on video cassette recorders (VCRs). Video heads will be covered for a period of six months.
- Six months on all pan and tilts, scanners or preset lenses used in continuous motion applications (that is, preset scan, tour and auto scan modes).

Pelco will warrant all replacement parts and repairs for 90 days from the date of Pelco shipment. All goods requiring warranty repair shall be sent freight prepaid to Pelco, Clovis, California. Repairs made necessary by reason of misuse, alteration, normal wear, or accident are not covered under this warranty.

Pelco assumes no risk and shall be subject to no liability for damages or loss resulting from the specific use or application made of the Products. Pelco's liability for any claim, whether based on breach of contract, negligence, infringement of any rights of any party or product liability, relating to the Products shall not exceed the price paid by the Dealer to Pelco for such Products. In no event will Pelco be liable for any special, incidental or consequential damages (including loss of use, loss of profit and claims of third parties) however caused, whether by the negligence of Pelco or otherwise.

The above warranty provides the Dealer with specific legal rights. The Dealer may also have additional rights, which are subject to variation from state to state.

If a warranty repair is required, the Dealer must contact Pelco at (800) 289-9100 or (559) 292-1981 to obtain a Repair Authorization number (RA), and provide the following information:

1. Model and serial number
2. Date of shipment, P.O. number, Sales Order number, or Pelco invoice number
3. Details of the defect or problem

If there is a dispute regarding the warranty of a product which does not fall under the warranty conditions stated above, please include a written explanation with the product when returned.

Method of return shipment shall be the same or equal to the method by which the item was received by Pelco.

RETURNS

In order to expedite parts returned to the factory for repair or credit, please call the factory at (800) 289-9100 or (559) 292-1981 to obtain an authorization number (CA number if returned for credit, and RA number if returned for repair).

All merchandise returned for credit may be subject to a 20% restocking and refurbishing charge.

Goods returned for repair or credit should be clearly identified with the assigned CA or RA number and freight should be prepaid. Ship to the appropriate address below.

If you are located within the continental U.S., Alaska, Hawaii or Puerto Rico, send goods to:

Service Department
Pelco
3500 Pelco Way
Clovis, CA 93612-5699

If you are located outside the continental U.S., Alaska, Hawaii or Puerto Rico and are instructed to return goods to the USA, you may do one of the following:

If the goods are to be sent by a COURIER SERVICE, send the goods to:

Pelco
3500 Pelco Way
Clovis, CA 93612-5699 USA

If the goods are to be sent by a FREIGHT FORWARDER, send the goods to:

Pelco c/o Expeditors
473 Eccles Avenue
South San Francisco, CA 94080 USA
Phone: 650-737-1700
Fax: 650-737-0933

REVISION HISTORY

Manual #	Date	Comments
C808M	7/87	Original version.
C808M-A	2/91	Updated format. Specification section rewritten. Rack-mount instruction section dropped.
C808M-B	4/90	Incorporated addendum for dwell instructions.
C808M-C	9/92	Optional accessories updated. Changes to dwell adjustment procedure.
C808M-D	4/95	Added new Figure 5 drawing. Erroneous information on alarm operation (bridging) was deleted (ECO 94-222). Dwell internal timing changed from "3 to 70" to "1 to 70" seconds (ECO 93-062). Specifications updated. Two-column format.
C808M-E	6/98	Changed wiring color from blue to black in Figure 5. Changed manual format.
C808M-F	12/99	Added information on use with Coaxitron transmitter. Changed to new manual format.
C808M-G	4/05	Added VS5008 information from manual C809M-E.



Worldwide Headquarters
3500 Pelco Way
Clovis, California 93612 USA

USA & Canada
Tel: 800/289-9100
Fax: 800/289-9150

International
Tel: 1-559/292-1981
Fax: 1-559/348-1120

www.pelco.com

ISO9001

United States | Canada | United Kingdom | The Netherlands | Singapore | Spain | Scandinavia | France | Middle East