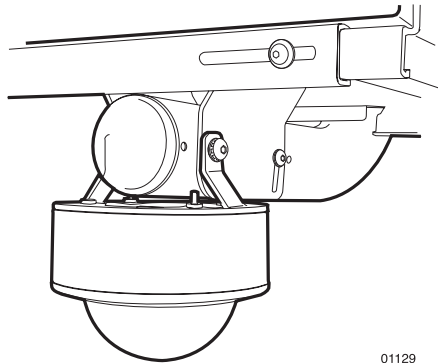




# Installation/Operation

## ICS-DO101ABK Integrated Camera System for the MR5000 Series Public View System

**C2436M-B (9/02)**



01129



# TABLE OF CONTENTS

IMPORTANT SAFEGUARDS AND WARNINGS .....	5
DESCRIPTION .....	5
INSTALLATION .....	5
ADJUSTMENTS (COLOR CAMERA ONLY) .....	8
VERTICAL PHASE (24 VAC OPERATION ONLY) .....	8
AUTO IRIS LEVEL ADJUSTMENT .....	8
FOCUS ADJUSTMENT FOR FIXED FOCAL LENGTH LENS WITH AUTO IRIS .....	9
SWITCH SETTINGS FOR FIXED FOCAL LENGTH LENS WITH AUTO IRIS .....	9
SWITCH SETTINGS FOR FIXED FOCAL LENGTH LENS WITHOUT AUTO IRIS .....	10
SWITCH SETTINGS FOR VARIFOCAL LENS .....	10
SPECIFICATIONS .....	11
REGULATORY NOTICES .....	11
WARRANTY AND RETURN INFORMATION .....	12



## IMPORTANT SAFEGUARDS AND WARNINGS

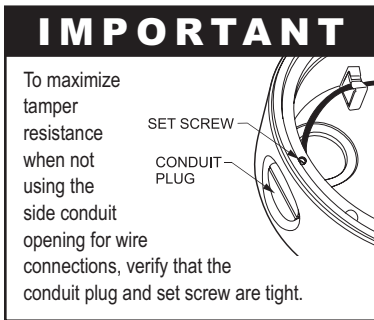
1. Installation and servicing should only be done by qualified service personnel and conform to all local codes.
2. Unless the unit is specifically marked as a NEMA Type 3, 3R, 3S, 4, 4X, 6 or 6P enclosure, it is designed for indoor use only and must not be installed where exposed to rain and moisture.
3. Use only installation methods and materials capable of supporting four times the maximum specified load.

## DESCRIPTION

Designed specifically for the MR5000 Series Public View System, the ICS-DO101ABK Integrated Camera System packages a camera and lens into a small, discreet, high-security dome.

Pelco's MR5000 Public Viewing Station is specifically designed for retail applications to provide a clear, visual warning to potential shoplifters that these premises are under surveillance. When properly installed the station is an effective deterrent against shoplifting.

## INSTALLATION

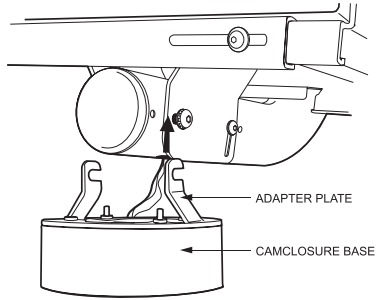


### ① Attach Adapter Plate to Base of ICS-DO101ABK

1. Align the adapter plate to the base of the ICS-DO101ABK.
2. Using the two 10-32 x .375-inch pan head screws and internal lock washers, attach the base of the ICS-DO101ABK to the adapter plate.

## 2 Prepare Video and Electrical Cabling

1. Temporarily remove the bottom end cap of the MR5000 Series mount if it is installed.
2. Feed the 42-inch video cable (provided) through the monitor feedthrough hole in the mount arm and out the bottom end of the mount arm.
3. Pull power wires through the ICS-DO101ABK feedthrough located at the bottom of the mount arm. Remove the .50-inch plug if it is installed.
4. Pull wires through the adapter plate of the ICS-DO101ABK and into the base of the ICS-DO101ABK.

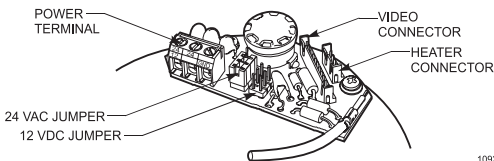


NOTE: POSITION THE BASE SO THAT THE CONDUIT COVER IS TURNED TOWARDS THE BACK OF THE MOUNT.

5. Use the supplied 3/16-inch Allen wrench and slightly loosen (**do not remove**) the two 5/16-18 x .75-inch Allen pan head screws that secure the MR5000M mount base to the mount arm.
6. Feed the video cable attached to the ICS-DO101ABK back box through the ICS-DO101ABK feedthrough in the mount arm and out the bottom end of the mount arm.
7. Hook the adapter plate over the loosened screws. Tighten the screws to secure the adapter plate to the mount.

## 3 Connect Video and Power

1. Connect the video cable. Place the cable inside the MR5000 Series mount arm and install the bottom end cap of the mount to conceal the cable.
2. Depending on the input voltage, connect either the 12 VDC or 24 VAC input power wires to the appropriate positions on the terminal block inside the base.
3. **12 VDC Operation Only –**  
The camera is set for 24 VAC operation at the factory. For 12 VDC operation remove the jumper from the 24 VAC position and install it on the 12 VDC position.



1093

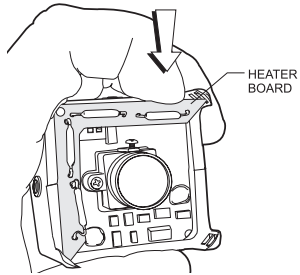
# CAUTION



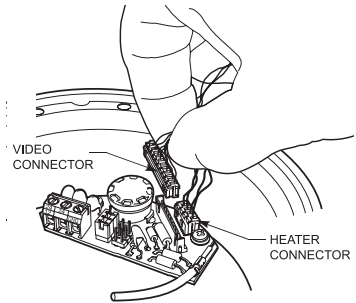
Heater elements could be hot! When camera power is on, use caution when adjusting the camera. This applies to all models.

## 4 Install Camera

1. Some indoor installations do not require a heater. If the installation does not require a heater, remove the heater board from the camera assembly. To remove the heater apply pressure and press on the corner of the board.



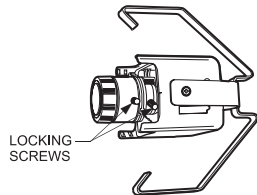
2. If the heater is installed, plug the heater connector from the camera into the mating connector inside the base. Plug the video connector from the camera into the mating connector inside the base.



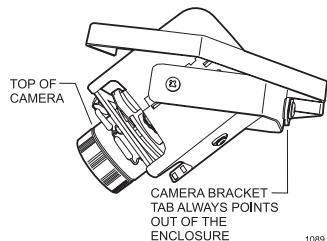
Turn on power to the camera and monitor.

3. If you have a varifocal lens, hold the assembly in your hand and point the lens toward what you want to view. Loosen the focal length and focus locking screws. Adjust according to scene detail. Retighten the screws.

VARIFOCAL LENS



4. Always make sure the tab on the camera bracket is pointing out of the enclosure (away from the mount). Gently squeeze the bracket, place it against the shoulder inside the base, and gently release.

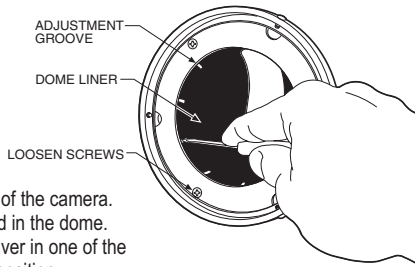


Proper camera orientation: The camera bracket tab points out of the enclosure and the top of the camera is pointed in the opposite direction.

1089

## 5 Install Dome and Trim Ring

- Align the screw holes in the trim ring with those in the camclosure base.
- Domes with Liners (only) –** Position the viewing window over the lens of the camera.
  - Loosen the three Phillip screws located in the dome.
  - Insert the blade of a standard screwdriver in one of the adjustment grooves. Move dome into position.
  - Tighten the three Phillip screws to lock liner in place.
- Tighten the tamper-resistant screws with the supplied 1/8-inch hollow screwdriver bit.



## ADJUSTMENTS (COLOR CAMERA ONLY)

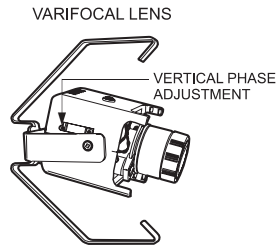
If you have a color camera, it is set up at the factory and normally requires no adjustments. Sometimes, however, adjustments may be necessary.

- Remove the dome and trim ring using the supplied 1/8-inch hollow screwdriver bit.
- Adjust the vertical phase, iris level, focus, or switch settings (refer to procedures below).
- Replace the dome and trim ring.

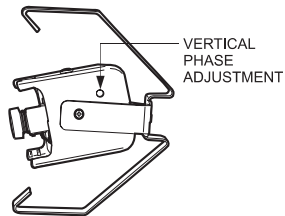
### Vertical Phase (24 VAC Operation Only)

Adjustment is required if there is vertical roll when switching between two cameras.

- Reverse the 24 VAC connections on one camera. If both cameras are connected to the same transformer, this should solve the problem.
- If reversing the connections does not solve the problem, or if cameras are connected to different transformers, turn the adjustment screw on one camera (while switching as rapidly as possible between the two camera views) until the switching is clean and there is no vertical roll. If more than two cameras are out of syn-

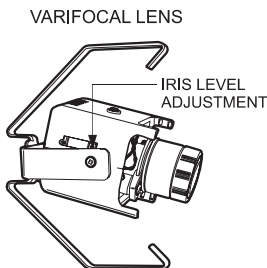


FIXED LENS

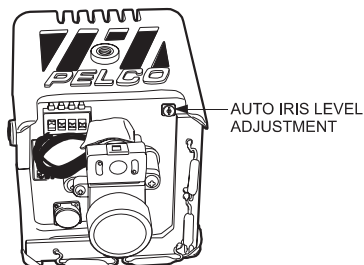


### Auto Iris Level Adjustment

If you have a varifocal lens or fixed focal length lens with an auto iris, you can adjust the level setting to increase or decrease brightness.



FIXED LENS





# Focus Adjustment for Fixed Focal Length Lens with Auto Iris

## CAUTION

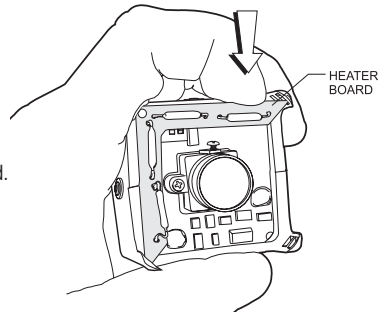


Heater elements could be hot! When camera power is on, use caution when adjusting the camera.

To adjust the focus, it may be necessary to remove the heater board in order to loosen the locking screw on the bottom of the lens.

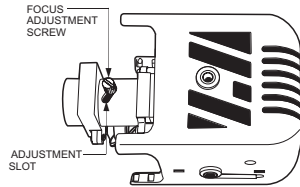
To remove the heater board:

1. Disconnect the four-pin heater wiring.
2. Wait for the heater elements to cool if they are hot.
3. Apply pressure and press on the corner of the board.



To adjust the focus:

1. Loosen the locking screw on the bottom of the lens.
2. Move the screw in the slot to bring the picture into focus.
3. Retighten the locking screw.
4. Replace the heater board if it was removed.
5. Reconnect the four-pin heater wiring.



BOTTOM VIEW OF CAMERA WITH HEATER BOARD REMOVED

# Switch Settings for Fixed Focal Length Lens with Auto Iris

Refer to the switch drawing. The switch is located next to the lens. Automatic backlight compensation (factory setting) is used under varying lighting conditions (such as outdoors) or fixed lighting conditions where there are no bright spots that darken other picture details. Manual backlight compensation is used in fixed lighting conditions to optimize the picture detail when there are bright spots.

- |                                |                                 |
|--------------------------------|---------------------------------|
| ALC/ELC switch:                | Always ALC                      |
| Y/DC switch:                   | Always DC                       |
| Auto backlight compensation:   | BLC switch OFF<br>ABL switch ON |
| Manual backlight compensation: | BLC switch ON<br>ABL switch OFF |

### FACTORY SETTINGS

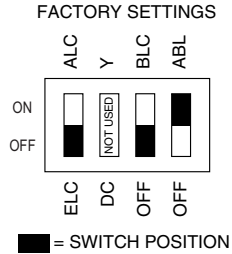


■ = SWITCH POSITION

# Switch Settings for Fixed Focal Length Lens Without Auto Iris

Refer to the switch drawing. The switch is located next to the lens. Automatic backlight compensation (factory setting) is used under varying lighting conditions (such as outdoors) or fixed lighting conditions where there are no bright spots that darken other picture details. Manual backlight compensation is used in fixed lighting conditions to optimize the picture detail when there are bright spots.

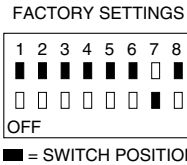
- ALC/ELC switch: Always ELC
- Y/DC switch: Not used
- Auto backlight compensation: BLC switch OFF  
ABL switch ON
- Manual backlight compensation: BLC switch ON  
ABL switch OFF



# Switch Settings for Varifocal Lens

The high resolution camera with varifocal lens and auto iris is configured at the factory for optimal performance in lighting conditions where auto iris is required. It is also configured with the shutter speed set at 1/60 (NTSC) or 1/50 (PAL) and AGC set at 6 dB of gain.

- 1 AWB Automatic white balance
- 2 GAM Gamma function
- 3 AGC Automatic gain control
- 4 ESC Electronic shutter control
- 5 BLC Backlight compensation
- 6 FL Flickerless
- 7 AE Automatic exposure
- 8 Not used



## To enable automatic exposure

Turn on switch 7, and then turn on/off switch 4 for electronic shutter control, switch 5 for backlight compensation, and switch 6 for flickerless motion.

## To manually set and lock AWB

Place a white background in front of camera and turn off switch 1.

## For gamma correction

Switch to accurately reproduce scene brightness; when turned on,  $y = 0.6$ , and when turned off,  $y = 1.0$ .

## For gain control

Switch 3 On increases gain by 6 dB, and switch 3 Off increases gain by 18 dB.

## To enable auto iris and manually set shutter speed

Turn off switch 7; set switches 4, 5, and 6 for the desired shutter speed.

**CAUTION** Do not change the shutter speed unless you understand how changing the settings will affect the scene detail.

Shutter Speed	Switch Number and Position			
	7	6	5	4
1/60 (NTSC) 1/50 (PAL)		On	On	On
1/100	Off	Off	On	On
1/250		On	Off	On
1/500		Off	Off	On
1/1000		On	On	Off
1/2000		Off	On	Off
1/4000		On	Off	Off
1/10000		Off	Off	Off

## SPECIFICATIONS

### Electrical

Input Voltage: 12 VDC or 24 VAC,  $\pm 10\%$   
Power  
Consumption: 13 watts or less  
Video  
Connector: BNC  
Operating  
Temperature:  $-50^{\circ}$  to  $122^{\circ}$ F ( $-46^{\circ}$  to  $50^{\circ}$ C)  
De-ices to  $-10^{\circ}$ F ( $-23^{\circ}$ C)

### General

Cable Entry: 3/4-inch (1.91 cm) conduit fitting  
and 3/4-inch (1.91 cm) opening  
for NPT threaded pipe  
Pan/Tilt  
Adjustment: Manual;  $360^{\circ}$  pan;  $180^{\circ}$  tilt

Ratings: NEMA 4, IP 66 when installed  
properly  
CE  
UL/cUL  
Construction: Aluminum with steel camera  
mounting bracket and polycar-  
bonate dome  
Finish: Gray polyester powder coat  
Dimensions  
Base: 3.70 (H) x 5.30 (W) inches  
(9.40 x 13.50 cm)  
Bubble: 3.75-inch diameter  
Environment: Low temperature,  
indoor/outdoor  
Unit Weight: 2.20 lb (1.00 kg)

(Design and product specifications subject to change without notice.)

## Regulatory Notices

### **FCC Class A (monochrome, EIA cameras only)**

This equipment has been tested and found to comply with the limits of a Class A digital device, pursuant to part 15 of the FCC rules. These limits are designed to provide reasonable protection against harmful interference when the equipment is operated in a commercial environment. This equipment generates, uses, and can radiate radio frequency energy and, if not installed and used in accordance with the instruction manual, may cause harmful interference to radio communications. Operation of this equipment in a residential area is likely to cause harmful interference in which case the user will be required to correct the interference at his own expense.

### **FCC Class B (color, NTSC cameras only—except varifocal)**

This equipment has been tested and found to comply with the limits of a Class B digital device, pursuant to part 15 of the FCC rules. These limits are designed to provide reasonable protection against harmful interference in a residential installation. This equipment generates, uses, and can radiate radio frequency energy and, if not installed and used in accordance with the instructions, may cause harmful interference to radio communications. However there is no guarantee that the interference will not occur in a particular installation. If this equipment does cause harmful interference to radio or television reception, which can be determined by turning the equipment off and on, the user is encouraged to try and correct the interference by one or more of the following measures:

- Reorient or relocate the receiving antenna.
- Increase the separation between the equipment and the receiver.
- Connect the equipment into an outlet on a circuit different from that to which the receiver is connected.
- Consult the dealer or an experienced radio/TV technician for help.

# PRODUCT WARRANTY AND RETURN INFORMATION

## WARRANTY

Pelco will repair or replace, without charge, any merchandise proved defective in material or workmanship for a period of one year after the date of shipment.

Exceptions to this warranty are as noted below:

- Five years on FT/FR8000 Series fiber optic products.
- Three years on Genex® Series products (multiplexers, server, and keyboard).
- Three years on Camclosure® and fixed camera models, except the CC3701H-2, CC3701H-2X, CC3751H-2, CC3651H-2X, MC3651H-2, and MC3651H-2X camera models, which have a five-year warranty.
- Two years on standard motorized or fixed focal length lenses.
- Two years on Legacy®, CM6700/CM6800/CM9700 Series matrix, and DF5/DF8 Series fixed dome products.
- Two years on Spectra®, Esprit®, ExSite™, and PS20 scanners, including when used in continuous motion applications.
- Two years on Esprit® and VVW5700 Series window wiper (excluding wiper blades).
- Eighteen months on DX Series digital video recorders, NVR300 Series network video recorders, and Endura™ Series distributed network-based video products.
- One year (except video heads) on video cassette recorders (VCRs). Video heads will be covered for a period of six months.
- Six months on all pan and tilts, scanners or preset lenses used in continuous motion applications (that is, preset scan, tour and auto scan modes).

Pelco will warrant all replacement parts and repairs for 90 days from the date of Pelco shipment. All goods requiring warranty repair shall be sent freight prepaid to Pelco, Clovis, California. Repairs made necessary by reason of misuse, alteration, normal wear, or accident are not covered under this warranty.

Pelco assumes no risk and shall be subject to no liability for damages or loss resulting from the specific use or application made of the Products. Pelco's liability for any claim, whether based on breach of contract, negligence, infringement of any rights of any party or product liability, relating to the Products shall not exceed the price paid by the Dealer to Pelco for such Products. In no event will Pelco be liable for any special, incidental or consequential damages (including loss of use, loss of profit and claims of third parties) however caused, whether by the negligence of Pelco or otherwise.

The above warranty provides the Dealer with specific legal rights. The Dealer may also have additional rights, which are subject to variation from state to state.

If a warranty repair is required, the Dealer must contact Pelco at (800) 289-9100 or (559) 292-1981 to obtain a Repair Authorization number (RA), and provide the following information:

1. Model and serial number
2. Date of shipment, P.O. number, Sales Order number, or Pelco invoice number
3. Details of the defect or problem

If there is a dispute regarding the warranty of a product which does not fall under the warranty conditions stated above, please include a written explanation with the product when returned.

Method of return shipment shall be the same or equal to the method by which the item was received by Pelco.

## RETURNS

In order to expedite parts returned to the factory for repair or credit, please call the factory at (800) 289-9100 or (559) 292-1981 to obtain an authorization number (CA number if returned for credit, and RA number if returned for repair).

All merchandise returned for credit may be subject to a 20% restocking and refurbishing charge.

Goods returned for repair or credit should be clearly identified with the assigned CA or RA number and freight should be prepaid. Ship to the appropriate address below.

*If you are located within the continental U.S., Alaska, Hawaii or Puerto Rico, send goods to:*

Service Department  
Pelco  
3500 Pelco Way  
Clovis, CA 93612-5699

*If you are located outside the continental U.S., Alaska, Hawaii or Puerto Rico and are instructed to return goods to the USA, you may do one of the following:*

If the goods are to be sent by a COURIER SERVICE, send the goods to:

Pelco  
3500 Pelco Way  
Clovis, CA 93612-5699 USA

If the goods are to be sent by a FREIGHT FORWARDER, send the goods to:

Pelco c/o Expeditors  
473 Eccles Avenue  
South San Francisco, CA 94080 USA  
Phone: 650-737-1700  
Fax: 650-737-0933

Pelco, the Pelco logo, Camclosure, Esprit, Genex, Legacy, and Spectra are registered trademarks of Pelco.  
Endura and ExSite are trademarks of Pelco.  
©Copyright 2002, Pelco. All rights reserved.

## REVISION HISTORY

Manual #	Date	Comments
C2436M	9/01	Original version.
C2436M-A	7/02	Added instructions for fixed lens with auto iris.
C2436M-B	9/02	Revised installation instructions – bracket and camera assembled at factory. Added iris level adjustment for fixed lens with auto iris.