

# INSTALLATION



## Spectra® Mini IP Dome System



**C3446M (7/08)**

# Contents

---

Important Safety Instructions . . . . .	4
Regulatory Notices . . . . .	5
Description . . . . .	6
System Models . . . . .	6
Parts List . . . . .	7
Basic System Configurations . . . . .	8
DHCP Network . . . . .	9
Endura Network . . . . .	9
Private Network . . . . .	10
Static Network . . . . .	11
Cover and Back Box Installation . . . . .	12
Surface Mount Installation . . . . .	12
Recessed Installation . . . . .	14
Suspended Ceiling . . . . .	14
Hard Ceiling . . . . .	16
Wiring Tables . . . . .	17
Cat5 Cable . . . . .	17
24 VAC Connections (Optional) . . . . .	18
Connecting a Relay Device . . . . .	18
Connecting Alarms . . . . .	19
Supervised Alarms . . . . .	19
Unsupervised Alarms . . . . .	20
Alarm Connections . . . . .	21
Reset Button . . . . .	22
Troubleshooting . . . . .	23
Specifications . . . . .	25

# List of Illustrations

---

1	DHCP Network Example.....	9
2	Endura Network Example.....	9
3	Private Network Example.....	10
4	Static Network Example.....	11
5	Ceiling Installation.....	13
6	Concrete Ceiling Installation.....	13
7	Spring Paddle Flex Assembly.....	14
8	Removing the Surface Mount Ring.....	15
9	Recessed Installation.....	15
10	Wiring Diagram.....	17
11	Relay Wiring Example.....	18
12	Supervised Alarm Conditions.....	19
13	Normally Closed Supervised Alarm Input Wiring.....	19
14	Normally Open Supervised Alarm Input Wiring.....	19
15	Unsupervised Alarm Conditions.....	20
16	Normally Closed Unsupervised Alarm Input Wiring.....	20
17	Normally Open Unsupervised Alarm Input Wiring.....	20
18	Unsupervised Alarm Input Wiring.....	21
19	Location of Reset Button and LED.....	22

# Important Safety Instructions

---

1. Read these instructions.
2. Keep these instructions.
3. Heed all warnings.
4. Follow all instructions.
5. Do not use this apparatus near water.
6. Do not block any ventilation openings. Install in accordance with the manufacturer's instructions.
7. Only use attachments/accessories specified by the manufacturer.
8. Apparatus shall not be exposed to dripping or splashing and that no objects filled with liquids, such as vases shall be placed on the apparatus.
9. Installation should be done only by qualified personnel and conform to all local codes.
10. Unless the unit is specifically marked as a NEMA Type 3, 3R, 3S, 4, 4X, 6, or 6P enclosure, it is designed for indoor use only and it must not be installed where exposed to rain and moisture.
11. Use only installation methods and materials capable of supporting four times the maximum specified load.
12. Use stainless steel hardware to fasten the mount to outdoor surfaces.
13. Only use replacement parts recommended by Pelco.
14. After replacement/repair of this unit's electrical components, conduct a resistance measurement between the line and exposed parts to verify the exposed parts have not been connected to the line circuitry.



**WARNING:** This product is sensitive to Electrostatic Discharge (ESD). To avoid ESD damage to this product, use ESD safe practices during installation. Before touching, adjusting or handling this product, correctly attach an ESD wrist strap to your wrist and appropriately discharge your body and tools. For more information about ESD control and safe handling practices of electronics, please refer to ANSI/ESD S20.20-1999 or contact the Electrostatic Discharge Association ([www.esda.org](http://www.esda.org)).



The materials used in the manufacture of this document and its components are compliant to the requirements of Directive 2002/95/EC.



This equipment contains electrical or electronic components that must be recycled properly to comply with Directive 2002/96/EC of the European Union regarding the disposal of waste electrical and electronic equipment (WEEE). Contact your local dealer for procedures for recycling this equipment.

# Regulatory Notices

---

This device complies with Part 15 of the FCC Rules. Operation is subject to the following two conditions: (1) this device may not cause harmful interference, and (2) this device must accept any interference received, including interference that may cause undesired operation.

## **RADIO AND TELEVISION INTERFERENCE**

This equipment has been tested and found to comply with the limits of a Class B digital device, pursuant to Part 15 of the FCC Rules. These limits are designed to provide reasonable protection against harmful interference in a residential installation. This equipment generates, uses, and can radiate radio frequency energy and, if not installed and used in accordance with the instructions, may cause harmful interference to radio communications. However there is no guarantee that the interference will not occur in a particular installation. If this equipment does cause harmful interference to radio or television reception, which can be determined by turning the equipment off and on, the user is encouraged to try to correct the interference by one or more of the following measures:

- Reorient or relocate the receiving antenna.
- Increase the separation between the equipment and the receiver.
- Connect the equipment into an outlet on a circuit different from that to which the receiver is connected.
- Consult the dealer or an experienced radio/TV technician for help.

You may also find helpful the following booklet, prepared by the FCC: "How to Identify and Resolve Radio-TV Interference Problems." This booklet is available from the U.S. Government Printing Office, Washington D.C. 20402.

Changes and Modifications not expressly approved by the manufacturer or registrant of this equipment can void your authority to operate this equipment under Federal Communications Commission's rules.

This Class B digital apparatus complies with Canadian ICES-003.

Cet appareil numérique de la classe B est conforme à la norme NMB-003 du Canada.

# Description

---

The Spectra® Mini IP dome system is an indoor mini dome system with a built-in 100Base-TX network interface for live streaming to a standard Web browser (Microsoft® Internet Explorer® or Firefox®). The Spectra Mini IP dome features open architecture connectivity for third-party software recording solutions and is also Endura Enabled™ to record, manage, configure, and view multiple live streams.

The Spectra Mini IP also includes built-in Power over Ethernet (PoE), which supplies power to the dome system through the network. If PoE is not available, the unit is prewired for 24 VAC.

Before installing your new system, thoroughly familiarize yourself with the information in this manual.

## SYSTEM MODELS

<b>Model Number</b>	<b>Description</b>
SD4N-B0	Spectra Mini IP, indoor, black, smoked dome, NTSC
SD4N-B0-X	Spectra Mini IP, indoor, black, smoked dome, PAL
SD4N-B1	Spectra Mini IP, indoor, black, clear dome, NTSC
SD4N-B1-X	Spectra Mini IP, indoor, black, clear dome, PAL
SD4N-W0	Spectra Mini IP, indoor, white, smoked dome, NTSC
SD4N-W0-X	Spectra Mini IP, indoor, white, smoked dome, PAL
SD4N-W1	Spectra Mini IP, indoor, white, clear dome, NTSC
SD4N-W1-X	Spectra Mini IP, indoor, white, clear dome, PAL

# PARTS LIST

The following parts are supplied with the Spectra Mini IP dome system:

<b>Qty</b>	<b>Description</b>
1	Dome drive
1	Dome bubble with trim ring
1	Installation manual (C3446M)
1	Operation/Configuration manual (C3447M)
1	Spring paddle flex assembly
1	Hardware kit
2	#10 x 1.50-inch self-tapping screws for suspended ceiling installation
2	#8-32 x 3.50-inch machine screws for suspended ceiling installations
2	#8 x 3.50-inch self-tapping screws for surface mount installation

The following parts, in addition to the normal installation tools, are needed but not supplied:

<b>Qty</b>	<b>Description</b>
1	Small flashlight for viewing connectors
1	Long-handled flat-blade screwdriver for wiring terminal
2	6-32 toggle bolts for surface mount installation (optional)
2	8-32 studs and nuts for surface mount installation to concrete

# BASIC SYSTEM CONFIGURATIONS

The following illustrations demonstrate the possible configurations of Spectra Mini IP with a variety of network options.

**IMPORTANT NOTE. PLEASE READ.** The network implementations in this document are shown as general representations only and are not intended to show detailed network topologies. Your actual network will differ, requiring changes or perhaps additional network equipment to accommodate the systems as illustrated. Please contact your local Pelco Representative to discuss your specific requirements.

Refer to *Network Settings* in the Spectra Mini IP Operation/Configuration manual (C3447M) for more information about DHCP and static IP networks. Refer to Table A when viewing Figure 1 on page 9, Figure 2 on page 9, Figure 3 on page 10, and Figure 4 on page 11.

**Table A. Legend for System Configuration Example Diagrams**

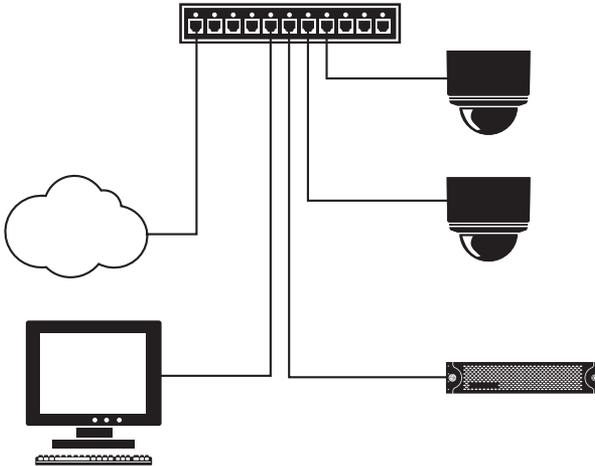
	Spectra Mini IP dome system
	Web browser
	TCP/IP/Internet
	Endura® network
	DVR
	Network Switch
	Cable Modem Router/Switch



## DHCP NETWORK

In this configuration, the DHCP network is accessed through the Web browser.

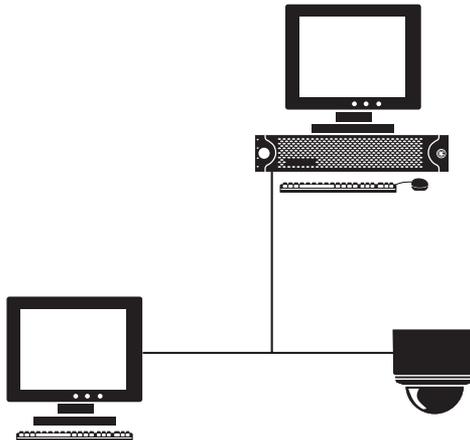
**NOTE:** For a secure network, Pelco recommends placing the dome behind a firewall.  
Refer to Table A on page 8.



**Figure 1.** DHCP Network Example

## ENDURA NETWORK

Refer to Table A on page 8.



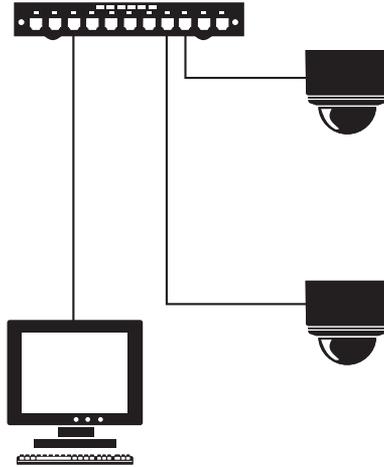
**Figure 2.** Endura Network Example

## PRIVATE NETWORK

When using a private network, the PC used to operate the Web browser acts as the server. If a static IP network is being used rather than a DHCP network, the dome system is assigned a default IP address of 192.168.0.20 on netmask 255.255.0.0.

After the first dome system is plugged in and recognized on a static IP network, you must manually change the IP address of the dome system before plugging in any additional dome systems. Plugging in a second dome system before changing the IP address of the first may result in a loss of communication to one or both of the devices.

Refer to Table A on page 8.



**Figure 3.** Private Network Example

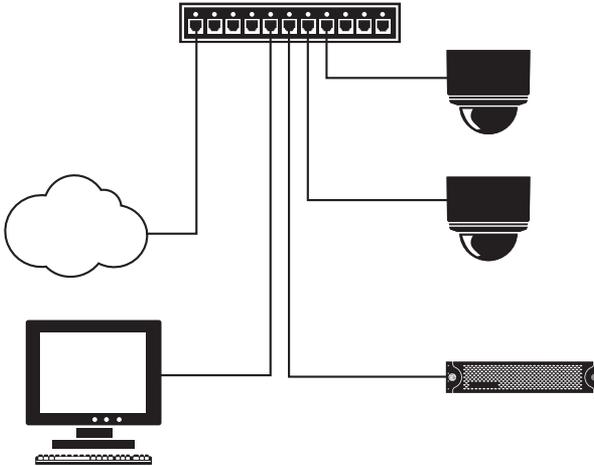
## STATIC NETWORK

When using a static network, the PC used to operate the Web browser must use the same subnet mask as the dome systems to which it is connected. When the first dome system is plugged into the network, it is assigned a default IP address of 192.168.0.20 on netmask 255.255.0.0.

After the first dome system is plugged in and recognized on a static IP network, you must manually change the IP address of the dome system before plugging in any additional dome systems. Plugging in a second dome system before changing the IP address of the first may result in a loss of communication to one or both of the devices.

**NOTE:** For a secure network, Pelco recommends placing the dome behind a firewall.

Refer to Table A on page 8.



**Figure 4.** Static Network Example

# Cover and Back Box Installation

---

The Spectra Mini IP is an indoor dome system designed for ceiling applications. The dome can be mounted to the surface of ceilings, or it can be recessed in hard ceilings or standard 2 x 2 ft (61 x 61 cm) tiles in suspended ceilings.

## SURFACE MOUNT INSTALLATION

1. Prepare the ceiling as follows:
  - a. Using the surface mount ring as a template, drill holes for the mounting hardware.
    - **Standard ceiling:** When mounting the dome system to a standard ceiling, use either 6-32 toggle bolts (not supplied) or #8 x 3.50-inch self-tapping screws (supplied). Refer to Figure 5 on page 13.
    - **Concrete ceiling:** When mounting the dome system to a concrete system, use 8-32 studs and nuts (not supplied). Refer to Figure 6 on page 13.
  - b. Drill a hole in the ceiling for wiring. You do not have to run wiring through the ceiling; you can fasten the wires to the ceiling and then run the wires through the air gap between the ceiling and the surface mount ring.
2. Connect the wiring using one of the following options:
  - Plug the network cable into the RJ-45 connector on the side of the dome drive.
  - If the network has no PoE, connect a 24 VAC Class 2 power supply to the 24 VAC power connector.

Refer to Figure 10 on page 17 for wiring connections.

3. If you are operating the dome system using 24 VAC and you are wiring more than one dome drive to the same transformer, connect one side of the transformer to pin 1 of the 2-position terminal block on all modules. Connect the other side of the transformer to pin 2 of the terminal block on all modules.

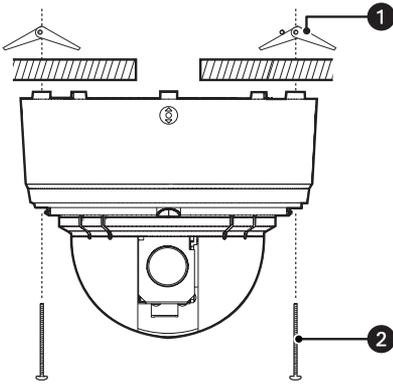
**NOTE:** Failure to connect all modules identically may introduce noise in the video for some installations.



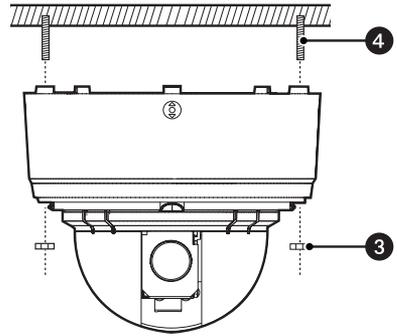
**WARNING:** Do not overtighten the mounting hardware; doing so can impede the pan movement of the dome drive.

4. Attach the dome drive to the ceiling.

Refer to Figure 5 and Figure 6 on page 13 when installing the dome drive.
5. Line up the tabs on the trim ring with the slots in the dome drive. Snap the trim ring and bubble into place.



**Figure 5.** Ceiling Installation



**Figure 6.** Concrete Ceiling Installation

① 6-32 Toggle Bolts (not supplied)

② #8 x 3.50-Inch Self-Tapping Screws (supplied)

**NOTE:** Use either toggle bolts or self-tapping screws when mounting the dome to a standard ceiling.

③ 8-32 Studs (not supplied)

④ Nuts (not supplied)

# RECESSED INSTALLATION

## SUSPENDED CEILING

1. Remove the spring paddle flex assembly from the surface mount ring (refer to Figure 7).



**Figure 7.** Spring Paddle Flex Assembly

2. Remove the surface mount ring from the dome drive as follows (refer to Figure 8 on page 15):
  - a. Place fingers on the circular marks located on the sides of the surface mount ring.
  - b. Pinch the sides.
  - c. Lift and remove the surface mount ring from the dome drive.
3. Attach the spring paddle flex assembly to the dome drive using the two #8-32 x 3.50-inch machine screws (supplied). Thread the screws into the ends of the spring paddle flex assembly flex assembly so the paddles remain at the end of the screws.
4. Cut a 5-inch diameter hole in the ceiling tile. You can either use the two holes in the spring paddle flex assembly as a compass tool to mark the 5-inch diameter hole to be cut, or use a 5-inch hole saw.
5. Pull all wiring through the hole in the ceiling tile and terminate all wires.
6. Connect your wiring to the dome drive using one of the following options:
  - Plug the network cable into the RJ-45 connector on the side of the dome drive.
  - If the network has no PoE, connect a 24 VAC Class 2 power supply to the 24 VAC power connector.

Refer to Figure 10 on page 17 for wiring connections.

7. Attach the dome drive to the ceiling tile, (refer to Figure 9 on page 15).
  - a. Stabilize the spring paddle flex assembly by applying pressure to the machine screws.
  - b. With the screws stabilized, insert the spring paddle flex assembly and dome drive into the hole in the ceiling tile.

**NOTE:** Be sure to route all wiring away from the spring paddle flex assembly.
  - c. Once the spring paddle flex assembly has cleared the hole in the ceiling tile, release the machine screws and allow the spring paddle flex assembly to expand. You do not need to support the dome drive as the ends of the paddle will hold the dome drive in place.

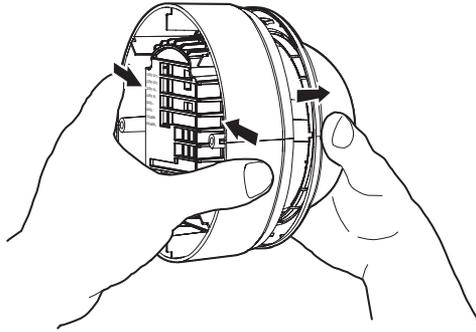


**WARNING:** Do not overtighten the mounting hardware; doing so can impede the pan movement of the dome drive.

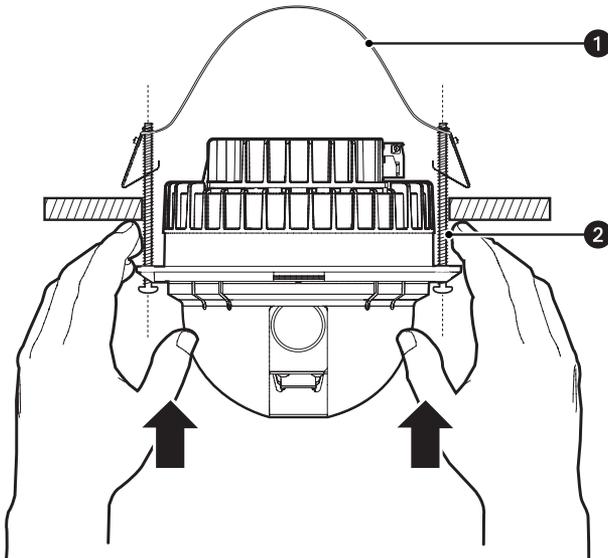
- d. Tighten the machine screws completely to secure the ceiling tile between the spring paddle flex assembly and the dome drive.
8. If you are operating the dome system using 24 VAC and you are wiring more than one dome drive to the same transformer, connect one side of the transformer to pin 1 of the 2-position terminal block on all modules. Connect the other side of the transformer to pin 2 of the terminal block on all modules.

**NOTE:** Failure to connect all modules identically may introduce noise in the video for some installations.

9. Line up the tabs on the trim ring with the slots in the dome drive. Snap the trim ring and dome bubble into place.



**Figure 8.** Removing the Surface Mount Ring



**Figure 9.** Recessed Installation

- 1 Spring Paddle Flex Assembly
- 2 #8-32 x 3.50-Inch Machine Screws

## HARD CEILING

1. Remove the spring paddle flex assembly from the surface mount ring.
2. Remove the surface mount ring from the dome drive as follows (refer to Figure 8 on page 15):
  - a. Place fingers on the circular marks located on the sides of the surface mount ring.
  - b. Pinch the sides.
  - c. Lift and remove the surface mount ring from the dome drive.
3. Attach the spring paddle flex assembly to the dome drive using the two #8-32 x 3.50-inch machine screws (supplied). Thread the screws into the ends of the spring paddle flex assembly so the paddles remain at the end of the screws.
4. Cut a 5-inch diameter hole in the ceiling. You can either use the two holes in the spring paddle flex assembly as a compass tool to mark the 5-inch diameter hole to be cut, or use a 5-inch hole saw.
5. Pull the wiring for power, network, and control through the ceiling.
6. Connect the wiring using one of the following options:
  - Plug the network cable into the RJ-45 connector on the side of the dome drive.
  - If the network has no PoE, connect a 24 VAC Class 2 power supply to the 24 VAC power connector.

Refer to Figure 10 on page 17 for wiring connections.

7. If you are operating the dome system using 24 VAC and you are wiring more than one dome drive to the same transformer, connect one side of the transformer to pin 1 of the 2-position terminal block on all modules. Connect the other side of the transformer to pin 2 of the terminal block on all modules.

**NOTE:** Failure to connect all modules identically may introduce noise in the video for some installations.

8. Attach the dome drive to the ceiling, (refer to Figure 9 on page 15).
  - a. Stabilize the spring paddle flex assembly by applying pressure to the machine screws.
  - b. With the screws stabilized, insert the spring paddle flex assembly and dome drive into the hole in the ceiling. You may need to insert the dome drive at an angle to allow the ends of the paddle to clear the hole.

**NOTE:** Be sure to route all wiring away from the spring paddle flex assembly.
  - c. Once the spring paddle flex assembly has cleared the hole in the ceiling, release the machine screws and allow the spring paddle flex assembly to expand. You do not need to support the dome drive as the ends of the paddle will hold the dome drive in place.



**WARNING:** Do not overtighten the mounting hardware; doing so can impede the pan movement of the dome drive.

- d. Tighten the machine screws completely to secure the dome drive to the ceiling.
9. Line up the tabs on the trim ring with the slots in the dome drive. Snap the trim ring and bubble into place.



# Wiring Tables

## CAT5 CABLE

Connect a Cat5 cable to the RJ-45 network connector. The 8-pin RJ-45 connector includes video and PoE for the dome system. PoE (IEEE 802.3af) injects power over the same cabling that carries the network data, eliminating the need for a separate power supply; this simplifies the installation and operation of the dome system without any degradation of network performance. Refer to Figure 10 for pin descriptions.

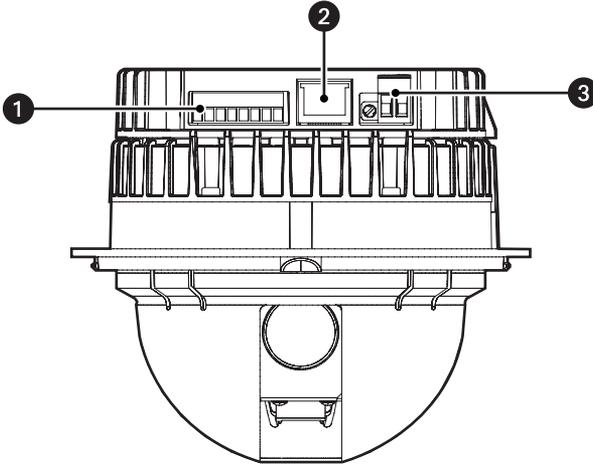


Figure 10. Wiring Diagram

### 1 8-Position Terminal Block

- **Pin 1:** Audio Out + (located on the far left; reserved for future use)
- **Pin 2:** Audio Out - (reserved for future use)
- **Pin 3:** Audio In + (reserved for future use)
- **Pin 4:** Audio In - (reserved for future use)
- **Pin 5:** Aux +
- **Pin 6:** Aux -
- **Pin 7:** Alarm -
- **Pin 8:** Alarm +

### 2 RJ-45 Connector

### 3 2-Position Terminal Block (use only if PoE is not connected)

- **Pin 1:** 24 VAC + (located on the far left)
- **Pin 2:** 24 VAC -

## 24 VAC CONNECTIONS (OPTIONAL)

If PoE is not used, the camera includes a 24 VAC power connector. Connect the power cable to the 2-pin power connector on the back of the camera using the terminal block connector (provided). Refer to *Recommended Wire Gauge and Wiring Distances* on page 18.

The power supply connector is shown in Figure 6. Use only a Class 2 isolated power supply. Refer to *Specifications* on page 25 for power consumption.

The following are the recommended maximum distances for 24 VAC applications and are calculated with a 10 percent voltage drop. (Ten percent is generally the maximum allowable voltage drop for AC-powered devices.)

**Table B.** Recommended Wire Gauge and Wiring Distances

Voltage	Wire Gauge			
	18 (1.0 mm <sup>2</sup> )	16 (1.5 mm <sup>2</sup> )	14 (2.5 mm <sup>2</sup> )	12 (3.5 mm <sup>2</sup> )
24 VAC	215 ft (97 m)	341 ft (154 m)	542 ft (245 m)	863 ft (391 m)

**NOTE:** Power consumption is 18 VA per unit. Use a power source with a minimum of 18 VA per unit.

## CONNECTING A RELAY DEVICE

The Spectra Mini IP dome system has an output for triggering an external device. It supports both momentary and continuous relay operation.

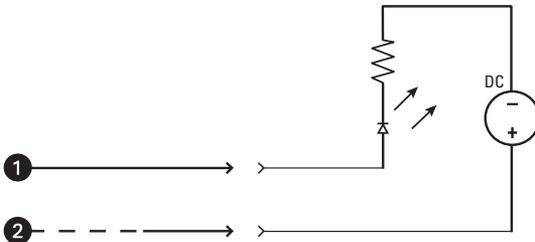
You can operate the relay interactively, during an active connection, or automatically to coincide with certain events. Typical applications include activating a door, gate or lock, or switching on lights or other electrical devices.



### WARNINGS:

- Do not exceed the maximum rating of 12 VDC, 0.15 A.
- The green/white wire is internally connected to the dome chassis. Any connected signaling device should be left floating with respect to the dome chassis, otherwise damage may result.

Figure 11 on page 18 shows how to wire the relay with its power source to the Spectra Mini IP.



**Figure 11.** Relay Wiring Example

- ① Aux -
- ② Aux +

# CONNECTING ALARMS

The Spectra Mini IP provides an alarm input for external signaling devices, such as door contacts or motion detectors. Both normally open and normally closed devices are supported.

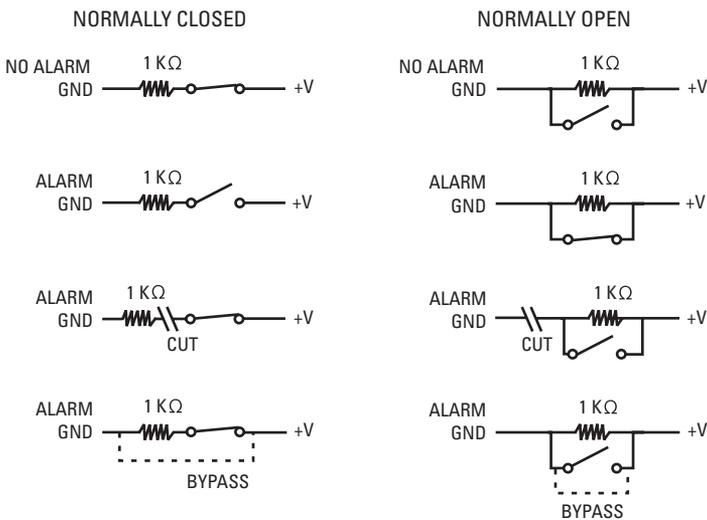
## SUPERVISED ALARMS

When an alarm is configured as a supervised alarm, Spectra Mini IP maintains a constant electrical current through the alarm circuit (3.3 VDC, 1 kohm). If the alarm circuit length changes, due to an electrical short or a bypass, the voltage fluctuates from its normal state. Therefore, the unit triggers an alarm.

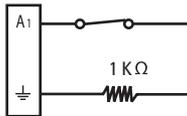
**NOTE:** Install the 1 kohm resistor as close to the switch as possible.

Figure 12 shows the alarm and no alarm conditions of a supervised alarm input. Whether the alarm is normally closed or normally open, neither a cut nor a bypass can defeat these alarms.

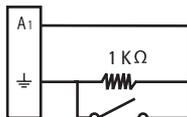
Figure 13 and Figure 14 illustrate the wiring configuration for supervised alarm inputs.



**Figure 12.** Supervised Alarm Conditions



**Figure 13.** Normally Closed Supervised Alarm Input Wiring



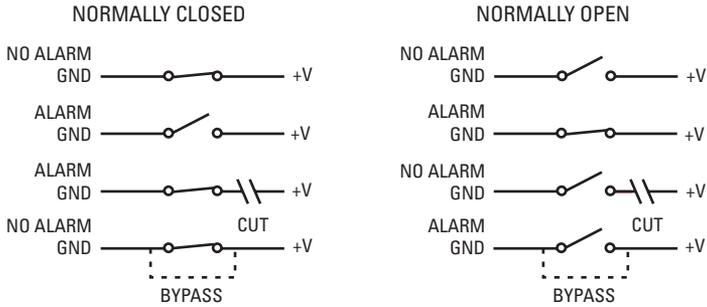
**Figure 14.** Normally Open Supervised Alarm Input Wiring

## UNSUPERVISED ALARMS

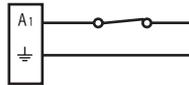
When an alarm is configured as an unsupervised alarm, the dome system only triggers an alarm when the normal alarm state (normally open or normally closed) changes.

Figure 15 shows the alarm and no alarm conditions of an unsupervised alarm input. A normally closed alarm input can be defeated with a bypass; a normally open input can be defeated with a cut.

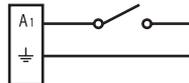
Figure 16 and Figure 17 show the wiring configuration for unsupervised alarm inputs.



**Figure 15.** Unsupervised Alarm Conditions



**Figure 16.** Normally Closed Unsupervised Alarm Input Wiring

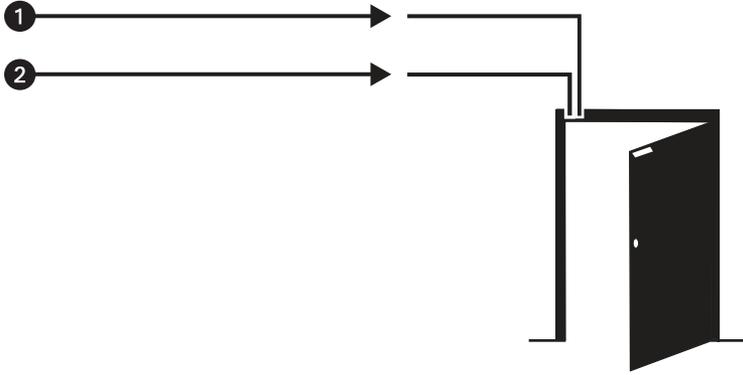


**Figure 17.** Normally Open Unsupervised Alarm Input Wiring

## ALARM CONNECTIONS

Refer to Figure 10 on page 17 for additional wiring information.

The alarm is internally connected to the Spectra Mini IP chassis. Do not connect directly to any potential except chassis ground.



**Figure 18.** Unsupervised Alarm Input Wiring

- ① **Alarm Return:** Alarm -
- ② **Alarm:** Alarm +

# Reset Button

Use the reset button located underneath the trim ring on the mounting flange to access the following modes:

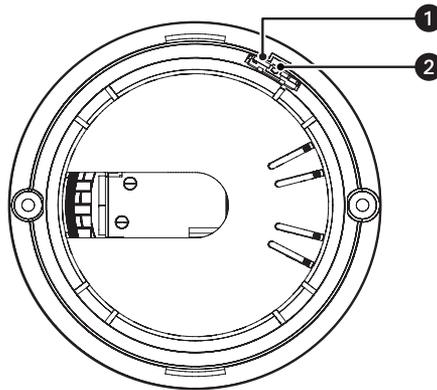
Mode	Function	Unit Status Indicator Light
Configuration	Starts the reset LED selection sequence.	Flashes green.
Reboot	Restarts the unit.	Flashes green and red simultaneously when entering this mode. The LED then flashes green when mode is selected and during the reboot.
Reset	Resets unit to factory default settings and then restarts unit.	Flashes red when entering this mode. Flashes red when mode is selected, and then flashes green when dome system restarts. Dome system is off line during reset mode.
Cancel	Cancels any configuration or reset action.	No light.

To access one of these modes:

1. Press and hold the reset button. The unit starts cycling through the modes; hold the button for four seconds to access (cycle through) each mode. The unit status indicator LED flashes the color for the current mode (refer to the table above).
2. When the color of the desired mode appears, release the button.

## NOTES:

- If there is no configuration activity for 15 minutes, the dome system will automatically exit the reset mode.
- The LED is not lit during normal operation.



**Figure 19.** Location of Reset Button and LED

- 1 Status Indicator LED
- 2 Reset Button

# Troubleshooting

Problem	Possible Cause	Suggested Remedy
No video	PoE power issue	<ul style="list-style-type: none"> <li>• Check Cat5 cable connection.</li> <li>• Verify PoE is enabled.</li> <li>• Disconnect the network cable and then reconnect it to the dome system. Check the LED on the trim ring to verify that it is flashing green, indicating the dome system has power.</li> </ul>
	Power issue (24 VAC)	<ul style="list-style-type: none"> <li>• Check the 24 VAC power supply connection.</li> <li>• Disconnect the power cable and then reconnect it to the dome system. Check the LED on the trim ring to verify that it is flashing green, indicating the dome system has power.</li> </ul>
	Network connectivity issues	<ul style="list-style-type: none"> <li>• Check network cable connections.</li> <li>• Disconnect the network cable and then reconnect it to the dome system. Check the LED on the trim ring to verify that it is flashing green.</li> <li>• Reset the unit to factory defaults by pressing the reset button. Refer to <i>Reset Button</i> on page 22.</li> <li>• Replace network cable with new cable. If new cable does not work, contact Pelco Product Support at 1-559-292-1981 or 1-800-289-9100.</li> </ul>
Image too dark/ black image	Installation or configuration error	<ul style="list-style-type: none"> <li>• Make sure the lens cover is not installed.</li> <li>• Make sure dome system is not located in an environment with zero light.</li> <li>• Verify iris setting is correct.</li> <li>• Verify brightness setting is correct.</li> <li>• Verify contrast setting is correct.</li> </ul>
Image too light	Installation or configuration error	<ul style="list-style-type: none"> <li>• Verify iris setting is correct.</li> <li>• Verify brightness setting is correct.</li> <li>• Verify contrast setting is correct.</li> </ul>
Image only displayed in black and white	Configuration error	<ul style="list-style-type: none"> <li>• Verify video saturation setting is correct.</li> </ul>

Dome system not discovered	No dome system power	Verify the dome system is powered correctly with PoE or with 24 VAC. Confirm power consumption with Web interface of PoE-capable switch or through blinking green LED during dome system power-up.
	Network conflict	<ul style="list-style-type: none"> <li>• Verify the dome system is physically connected to the same network as the PC running the Device Utility.</li> <li>• The utility will not work on a network that blocks multicast traffic.</li> <li>• Confirm the green LED blinks when power is applied to the dome system, indicating network connectivity.</li> </ul>
Network not working	Faulty cable connection	Check all cable connections and ensure all plugs are properly plugged in.
	Incorrect network device configuration	A hub will not work with the available network bandwidth shared across all ports. Use a Fast Ethernet switch, Gigabit Ethernet switch, or a cable modem router with an n-Port switch.
	Network connectivity issues	Contact your network administrator.



# Specifications

---

## MECHANICAL

Pan Movement	360° continuous pan rotation
Vertical Tilt	Unobstructed +2° to -92°
Manual Pan/Tilt Speeds	
Pan	0.4-80°/sec manual operation, 100°/sec turbo
Tilt	0.7-40°/sec manual operation
Preset Speeds	
Pan	140°/sec
Tilt	80°/sec
	For variable speed operation an appropriate controller is required.

## ELECTRICAL

Input Voltage/Amps	18-30 VAC, 24 VAC; 0.75 A, 50/60 Hz nominal
Input Power	18 VA nominal
PoE	IEEE 802.3af Class 3

## GENERAL

Construction	
Top Cap	Alodined cast aluminum
Trim Ring and Surface Mount Ring	ABS plastic
Bubble	Acrylic
Finish	White or black
Light Attenuation	
Smoked	f/0.5 light loss
Clear	Zero light loss
Cable Entry	Single RJ-45 connector Alarm and audio connector
Environment	Indoor
Operating Temperature	32° to 122°F (0° to 50°)
Weight	1.88 lb (0.85 kg)

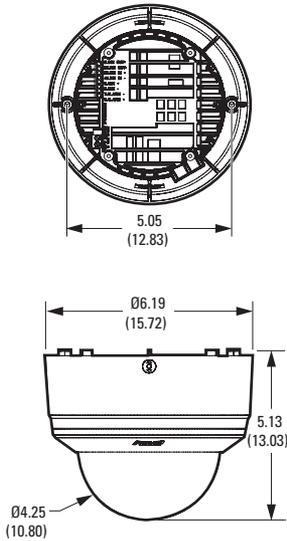
## CAMERA

Signal Format	NTSC/PAL
Scanning System	2:1 interlace
Image Sensor	1/4-inch interline CCD
Effective Pixels	
NTSC	768 (H) x 494 (V)
PAL	752 (H) x 582 (V)
Horizontal Resolution	
NTSC	>470 TV lines
PAL	>460 TV lines
Minimum Illumination	3.0 lux
White Balance	Automatic with manual override
Shutter Speed	Automatic (electronic iris)/manual 1/60-1/30,000
Gain Control	Automatic with manual override
Video Output	1.0 to 1.2 Vp-p, 75 ohms, adjustable
Video Signal-to-Noise Ratio	>50 dB

## LENS

Lens	f/1.8 (focal length, 4.2-42 mm)
Zoom	10X optical zoom, 8X digital zoom
Zoom Speed (optical range)	1.5/2.5/4.3 seconds
Horizontal Angle of View	46.4° wide zoom 5.0° telephoto zoom
Focus	Automatic with manual override
Iris Control	Automatic with manual override

*(Design and product specifications subject to change without notice.)*



NOTE: VALUES IN PARENTHESIS ARE CENTIMETERS; ALL OTHERS ARE INCHES.

## PRODUCT WARRANTY AND RETURN INFORMATION

### WARRANTY

Pelco will repair or replace, without charge, any merchandise proved defective in material or workmanship **for a period of one year** after the date of shipment.

Exceptions to this warranty are as noted below:

- Five years on fiber optic products and TW3000 Series unshielded twisted pair (UTP) transmission products.
- Three years on Spectra® IV products.
- Three years on Genex® Series products (multiplexers, server, and keyboard).
- Three years on DX Series digital video recorders, DVR5100 Series digital video recorders, Digital Sentry® Series hardware products, DVX Series digital video recorders, NVR300 Series network video recorders, and Endura® Series distributed network-based video products.
- Three years on Camclosure® and Pelco-branded fixed camera models, except the CC3701H-2, CC3701H-2X, CC3751H-2, CC3651H-2X, MC3651H-2, and MC3651H-2X camera models, which have a five-year warranty.
- Three years on PMCL200/300/400 Series LCD monitors.
- Two years on standard motorized or fixed focal length lenses.
- Two years on Legacy®, CM6700/CM6800/CM9700 Series matrix, and DF5/DF8 Series fixed dome products.
- Two years on Spectra III™, Spectra Mini, Esprit®, ExSite®, and PS20 scanners, including when used in continuous motion applications.
- Two years on Esprit and WW5700 Series window wiper (excluding wiper blades).
- Two years (except lamp and color wheel) on Digital Light Processing (DLP®) displays. The lamp and color wheel will be covered for a period of 90 days. The air filter is not covered under warranty.
- Two years on Intelli-M® eIDC controllers.
- One year (except video heads) on video cassette recorders (VCRs). Video heads will be covered for a period of six months.
- Six months on all pan and tilts, scanners, or preset lenses used in continuous motion applications (preset scan, tour, and auto scan modes).

Pelco will warrant all replacement parts and repairs for 90 days from the date of Pelco shipment. All goods requiring warranty repair shall be sent freight prepaid to a Pelco designated location. Repairs made necessary by reason of misuse, alteration, normal wear, or accident are not covered under this warranty.

Pelco assumes no risk and shall be subject to no liability for damages or loss resulting from the specific use or application made of the Products. Pelco's liability for any claim, whether based on breach of contract, negligence, infringement of any rights of any party or product liability, relating to the Products shall not exceed the price paid by the Dealer to Pelco for such Products. In no event will Pelco be liable for any special, incidental, or consequential damages (including loss of use, loss of profit, and claims of third parties) however caused, whether by the negligence of Pelco or otherwise.

The above warranty provides the Dealer with specific legal rights. The Dealer may also have additional rights, which are subject to variation from state to state.

If a warranty repair is required, the Dealer must contact Pelco at (800) 289-9100 or (559) 292-1981 to obtain a Repair Authorization number (RA), and provide the following information:

1. Model and serial number
2. Date of shipment, P.O. number, sales order number, or Pelco invoice number
3. Details of the defect or problem

If there is a dispute regarding the warranty of a product that does not fall under the warranty conditions stated above, please include a written explanation with the product when returned.

Method of return shipment shall be the same or equal to the method by which the item was received by Pelco.

### RETURNS

To expedite parts returned for repair or credit, please call Pelco at (800) 289-9100 or (559) 292-1981 to obtain an authorization number (CA number if returned for credit, and RA number if returned for repair) and designated return location.

All merchandise returned for credit may be subject to a 20 percent restocking and refurbishing charge.

Goods returned for repair or credit should be clearly identified with the assigned CA or RA number and freight should be prepaid.

6-20-08

### REVISION HISTORY

Manual #	Date	Comments
C3446M	7/08	Original version.

Pelco, the Pelco logo, Camclosure, Digital Sentry, Endura, Esprit, ExSite, Genex, Intelli-M, Legacy, and Spectra are registered trademarks of Pelco, Inc. Endura Enabled and Spectra III are trademarks of Pelco, Inc. © Copyright 2008, Pelco, Inc. All rights reserved.

DLP is a registered trademark of Texas Instruments Incorporated.

Microsoft and Internet Explorer are registered trademarks of Microsoft Corporation.

Firefox is a registered trademark of the Mozilla Foundation.



Worldwide Headquarters  
3500 Pelco Way  
Clovis, California 93612 USA

USA & Canada  
Tel: (800) 289-9100  
Fax: (800) 289-9150  
International  
Tel: +1 (559) 292-1981  
Fax: +1 (559) 348-1120

[www.pelco.com](http://www.pelco.com)

ISO9001

Australia | Finland | France | Germany | Italy | Macau | The Netherlands | Russia | Singapore  
South Africa | Spain | Sweden | United Arab Emirates | United Kingdom | United States