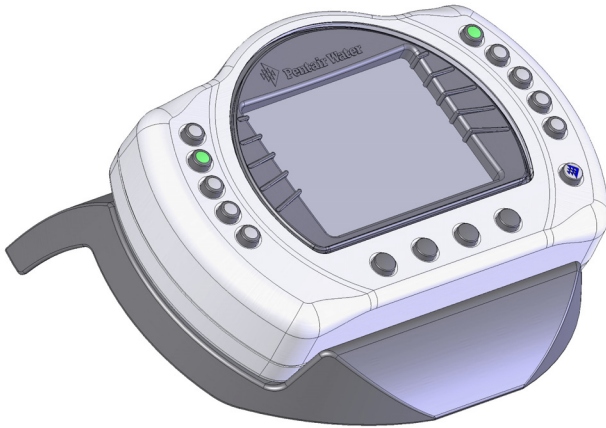




IntelliTouch® MobileTouch Wireless Controller



User's and Installation Guide

MobileTouch Wireless Controller kit contents

The following items are included in the MobileTouch Controller kit. If any items are missing please contact Technical Support.

- MobileTouch controller
- AC/DC power adapter
- Cradle
- User's and Installation Guide (this manual)

Technical Support

Sanford, North Carolina (8 A.M. to 5 P.M. ET)

Moorpark, California (8 A.M. to 5 P.M. PT)

Phone: (800) 831-7133 - Fax: (800) 284-4151

Related manuals - Download the IntelliTouch User's Guide (P/N 520102) at:
http://www.pentairpool.com/owners_manuals/controls/IntelliTouch_Pool_Spa_Cntrls_Instll_Guide.pdf



CAUTION: IMPORTANT BATTERY INFORMATION

- Danger of explosion if battery is incorrectly replaced.
- Replace battery with the same type recommended by Pentair. Use Pentair Battery Replacement Kit (P/N 520815Z).
- **Rechargeable Lithium-ion battery disposal:** Unwanted lithium ion battery pack may be returned to your local recycling center or the manufacturer for disposal.
- Dispose of used batteries according to the manufacturer's instructions.
- Dismantling or opening the device (with the exception of the battery door) or case will void warranty and may possibly cause electric shock.



FCC Regulatory Safety Notice - This equipment has been tested and found to comply with the limits for a Class B digital device, pursuant to Part 15 of the FCC Rules. These limits are designed to provide reasonable protection against harmful interference in a residential installation. This equipment generates, uses and can radiate radio frequency energy and, if not installed and used in accordance with the instructions, may cause harmful interference to radio communications. However, there is no guarantee that interference will not occur in a particular installation. If this equipment does cause harmful interference to radio or television reception, which can be determined by turning the equipment off and on, the user is encouraged to try to correct the interference by one or more of the following measures:

- Reorient or relocate the receiving antenna.
- Increase the separation between the equipment and receiver.
- Connect the equipment into an outlet on a circuit different from that to which the receiver is connected.
- Consult the dealer or an experienced radio/TV technician for help.
- Modifications not expressly approved by the party responsible for FCC compliance could void the user's authority to operate the equipment.



IC Regulatory Notice

Operation is subject to the following two conditions: (1) this device may not cause interference, and (2) this device must accept any interference, including interference that may cause undesired operation of the device.

© 2007 Pentair Water Pool and Spa, Inc. All rights reserved.

1620 Hawkins Ave., Sanford, NC 27330 • (919) 566-8000

10951 West Los Angeles Ave., Moorpark, CA 93021 • (800) 553-5000

IntelliTouch and the Pentair Water Pool and Spa logo are registered trademarks of Pentair Water Pool and Spa, Inc. Other trademarks and trade names may be used in this document to refer to either the entities claiming the marks and names or their products. Pentair Water Pool and Spa, Inc. disclaims proprietary interest in marks and names of others.

P/N 520887 - Rev A - 05/05/2007

Contents

Charging the MobileTouch Wireless Controller	2
Using the MobileTouch Wireless Controller	2
Setting up MobileTouch and IntelliTouch	3
Installing the MobileTouch Transceiver	6
Connecting the Transceiver cable to the Personality board	7
Serial COM Port Expansion Board (optional)	11

MobileTouch Wireless Controller

The MobileTouch wireless controller provides the same functionality as the IntelliTouch Indoor Control Panel. It has an operating range of up to 300 ft. from the MobileTouch antenna (Transceiver), which is typically located near the IntelliTouch load center. The optimum wireless transmit and receive range may be affected by physical obstructions, (especially those containing metal), and geographical features.

The MobileTouch controller LCD (liquid crystal display) can be sensitive to sunlight. When exposed for extended periods, the LCD screen will heat up and turn black. If this happens, place the remote in a shaded area and allow the screen to cool down. Do not attempt to adjust the contrast or the screen will be unreadable when it eventually cools. When used outside, keep the remote covered or in a shaded area. Prolonged exposure to sunlight may permanently damage the unit.

⚠ WARNING! Do not plug in the AC adapter to a power source within five (5) feet of the pool and spa. Canadian installations require a minimum of (3) meters from pool water. Do not recharge outdoors. Only use Pentair approved AC adapter transformer.

The MobileTouch wireless controller is water resistant and can be exposed to temporary splashing or wet hands. However, the controller is not intended to be submersible. Remove unit immediately if it is dropped in the water or exposed to rain. Store the unit indoors in a dry environment. Be sure the gold charging contacts are dry before charging.

Charging the MobileTouch Wireless Controller

When you are not using the MobileTouch controller, place it in the cradle to recharge the battery. This allows the battery to be fully charged at all times.

To charge the MobileTouch controller battery:

- Plug the AC adapter into an AC wall outlet.
- Insert the AC Adapter plug into the bottom of the cradle.
- Place the MobileTouch controller in the cradle.

What to do if the battery requires charging?

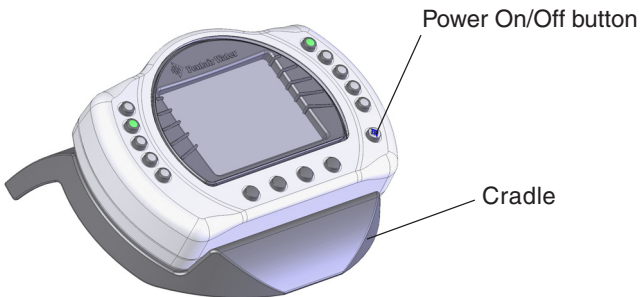
- If the MobileTouch controller screen is blank this may indicate that battery cannot power the device and needs recharging. Place the unit in it's cradle to fully recharge the battery. A complete battery charge takes about 3 to 4 hours.
Note: If the battery requires replacement, only use Pentair battery (/P/N 520815Z).

Using the MobileTouch Wireless Controller

The range of the MobileTouch wireless controller can be up to 300 feet from its transceiver antenna. The antenna is typically located near the IntelliTouch Load Center. The unit can be used all day at full power with a complete battery charge (3 to 4 hours).

To use the MobileTouch wireless controller:

1. To use the MobileTouch controller, remove it from the cradle.
Note: The MobileTouch can also be used while seated in the cradle with AC power connected to the cradle.
2. Press the "Power" button on the front right-side to switch the unit ON or OFF. The LCD backlight will turn off in five minutes if not in use.



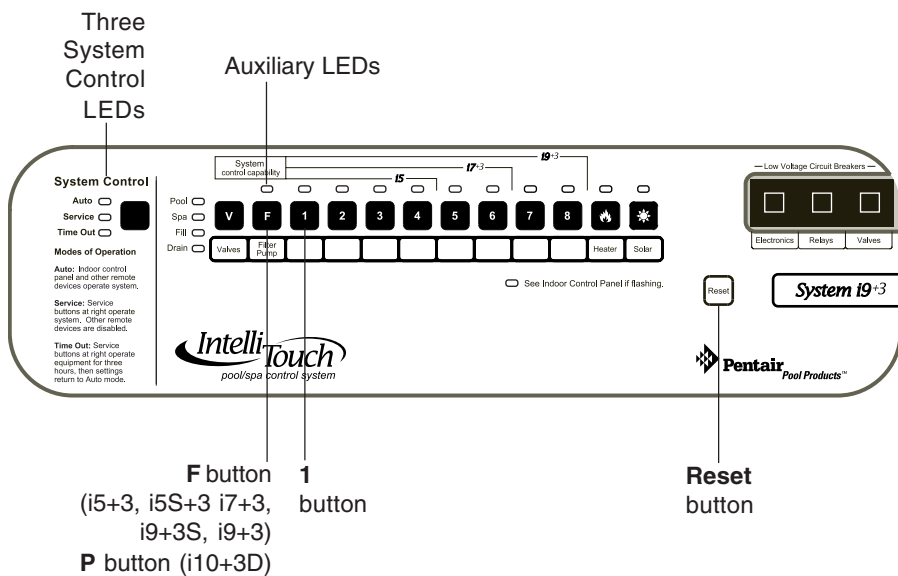
MobileTouch controller seated in cradle

Setting up MobileTouch and IntelliTouch

After connecting the Transceiver cable to the IntelliTouch load center (see page “Installing the MobileTouch Transceiver” on page 6), you are ready to setup a MobileTouch wireless controller to “talk” to a new or existing IntelliTouch system.

To manually setup MobileTouch and IntelliTouch:

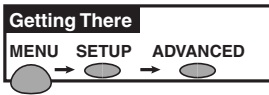
1. On the IntelliTouch Outdoor Control Panel, press the **Reset** button (see illustration below).
2. The three red **System Control** LEDs will be on for about 10 seconds. While the LEDs are on, press the **“F” Filter** button. For model i10+3 press the **“P” Pool Filter Pump** button. For model i5S+3, press the **“F” button**.
3. The auxiliary button **LEDs** will cycle across from the V (or F) button to the auxiliary number 4 button. Wait until the LEDs stop cycling. The three “System Control LEDs” will start to blink.
4. The IntelliTouch system is ready to add the MobileTouch wireless controller., continue with step 5 on page 4.



IntelliTouch Outdoor Control Panel

Setting up MobileTouch and IntelliTouch (continued)

Go to the Advanced screen.

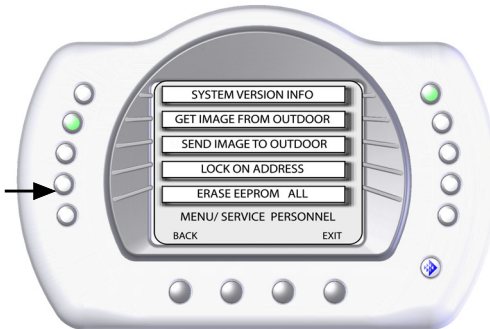


- From the MobileTouch Advanced screen, press **buttons 2 and 4 at the same time**. The Service Personnel screen is displayed.

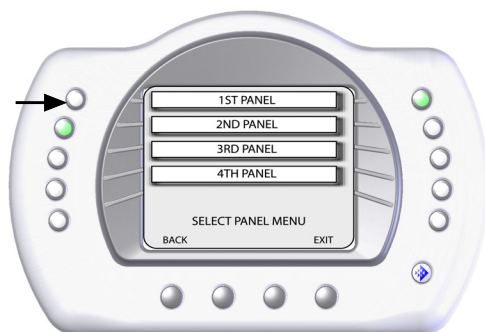


Press button 2 and 4 at the same time to access the Service Personnel screen

- Press the button next to **Lock On Address**. This will setup the MobileTouch controller to operate on a unique frequency to avoid inference from other wireless devices within range of the MobileTouch Transceiver.



7. Select the control panel number (1, 2, 3 or 4) for the controller at hand by pressing either button next to the panel number. Make sure not to select a number already in use by another controller. Any combination of up to four Indoor Control Panels and/or MobileTouch control panels may be configured.



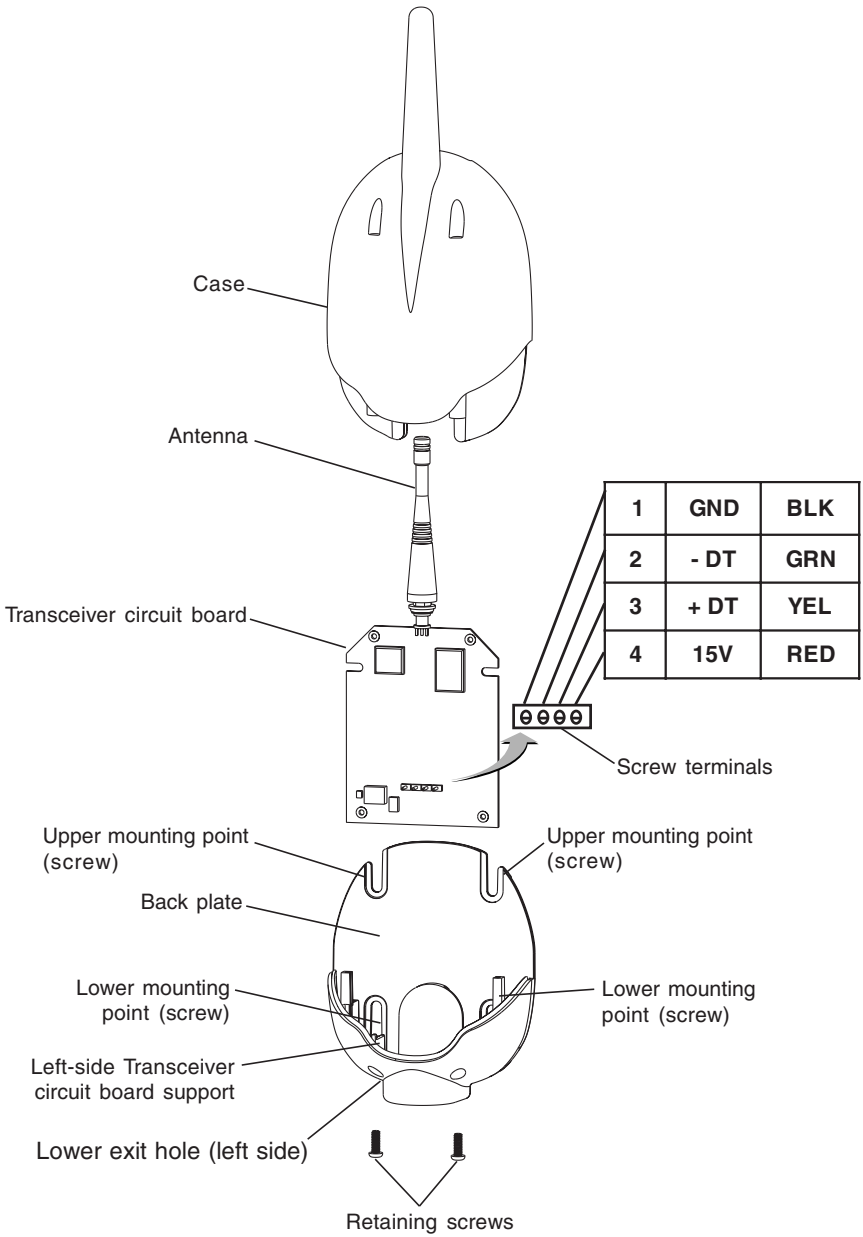
8. After selecting the control panel number the “Service Personnel” screen will be displayed. Press **Exit** to return to the main screen.
9. If multiple controllers are being installed, repeat steps 5 - 8 for each controller.
10. Return to the IntelliTouch load center. The System Control LEDs will be flashing. Press the **Reset** button. When the “Auto” LED is lit the process is complete and the IntelliTouch system is ready for operation.

Installing the MobileTouch Transceiver

For optimum wireless connectivity locate the MobileTouch Transceiver (antenna) near the IntelliTouch load center. The Transceiver optimum wireless transmit and receive range may be affected by physical obstructions, (especially those containing metal), weather conditions, and geographical features. The MobileTouch controller has an operating range of up to 300 ft. from the MobileTouch Transceiver. The Transceiver kit includes a connection cable (10 ft). However, the cable length can be lengthened up to 300 ft for optimum wireless connectivity.

To install the Transceiver:

1. Choose an installation location for the Transceiver near the IntelliTouch load center.
2. Remove the two lower retaining screws from the Transceiver and slide the Transceiver case up to remove it from the back plate.
3. Remove the Transceiver circuit board from the back plate by carefully lifting it up out of the back plate supports. Place the circuit board on a clean dry surface away from direct sunlight.
4. Mount the Transceiver back plate (see page 6) onto a flat wooden surface, such as a wooden fence, or post. While holding the back plate, install two lower mounting screws through the back plate lower mounting holes. Tighten the screws to secure the back plate in place. Install two screws through the upper mounting holes.
5. Slide the Transceiver circuit board into the back plate into the board side supports.
6. Route the Transceiver cable up through the bottom of the back plate (see page 7) to the screw terminal connector.
7. Insert the four wires into the screw terminals of the Transceiver connector. Using a small flat-blade screwdriver, secure the wires with the screws. Make sure to match the color coding of the four wires (see page 7 for wiring diagram).
8. Carefully slide the case over the Transceiver antenna and secure it to the back plate with the two lower retaining screws.
9. **Proceed with “Connecting the Transceiver cable to the IntelliTouch Personality board” on page 7.**

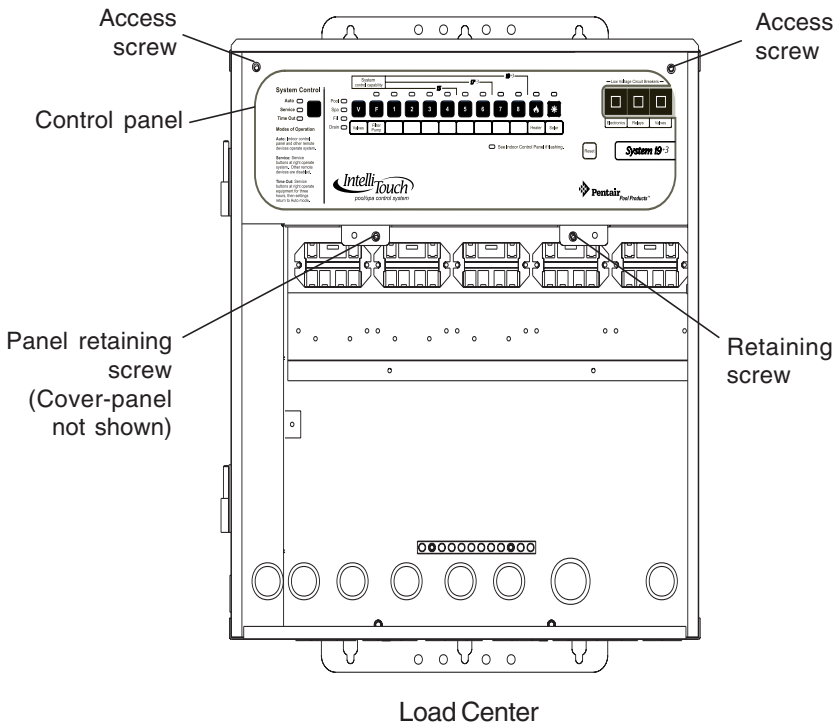


Transceiver Module

Connecting the Transceiver cable to the Personality board

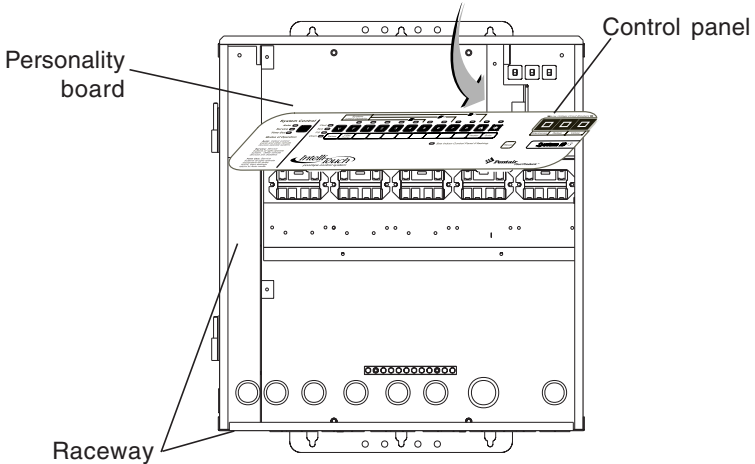
WARNING Switch OFF the main system power to the Load Center before making any connections.

1. Unlatch the two enclosure door spring latches, and open the door.
2. Remove the two retaining screws securing the high voltage cover-panel, and remove it from the enclosure.
3. Loosen the two access screws securing the control panel.



4. Lower down the hinged control panel to access the Personality board.

- Route the transceiver cable into the lower plastic grommet, up through the low voltage raceway to the Personality board.

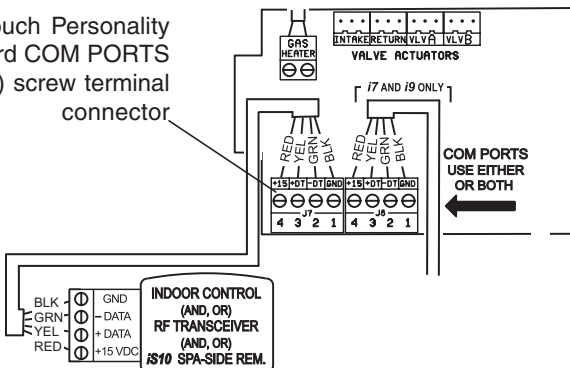


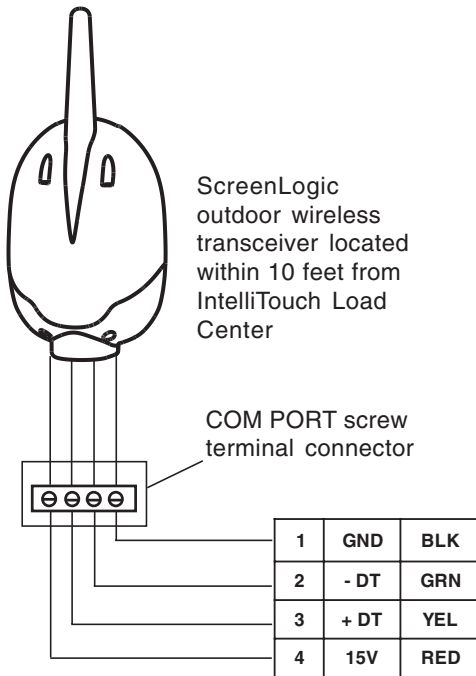
- Insert the four wires into the screw terminals of the COM PORT plug located on the Personality board as shown on page 6. Using a small flat-blade screwdriver, secure the wires with the screws. Make sure to match the color coding of the four wires:

Pin 4 - Red = +15
 Pin 3 - Yellow = +DT
 Pin 2 - Green = -DT
 Pin 1 - Black = GND

Note: If there no available COM port terminals for the Transceiver cable plug connector to plug in to, the optional Seral COM Port Expansion Board (see page 12) can be used. Multiple wires may also be inserted into a single screw terminal.

IntelliTouch Personality board COM PORTS (J7/J8) screw terminal connector





Personality board COM PORT Pin configuration

7. After the connection has been completed, close the control panel into its original position and secure it with the two access screws.
8. Close the IntelliTouch front panel and secure it with the two retaining screws.
9. Close the IntelliTouch Load Center front door. Fasten the two spring latches.
10. Switch the power on to the IntelliTouch Load Center.
11. Proceed to **“Setting up MobileTouch and IntelliTouch”** on page 3.

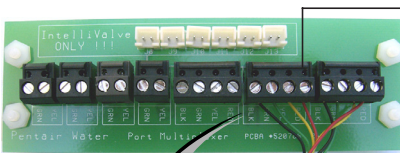
Serial COM Port Expansion Board Optional (for use with IntelliTouch® and EasyTouch® systems)

If there is not an available COM port for the Transceiver cable plug on the IntelliTouch Personality board, the optional Serial COM port Expansion Board (P/N 520818) can be used for additional COM ports connections.

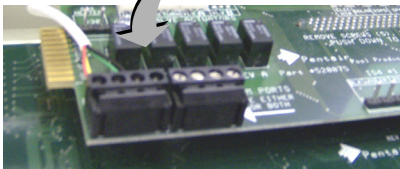
Mounting the Expansion Board

1. Remove the inside terminal connectors (with wires attached) from the Expansion board and connect it to a COM port on the Personality board.

Note: If this a new Load Center installation, you'll have to remove one of the existing (empty) terminal connectors from the Personality board to allow for the Expansion board terminal connector. You can place the (empty) connector onto the available COM port on the Expansion board.



Remove this terminal connector and connect it to an available COM port on the IntelliTouch Personality board or EasyTouch motherboard



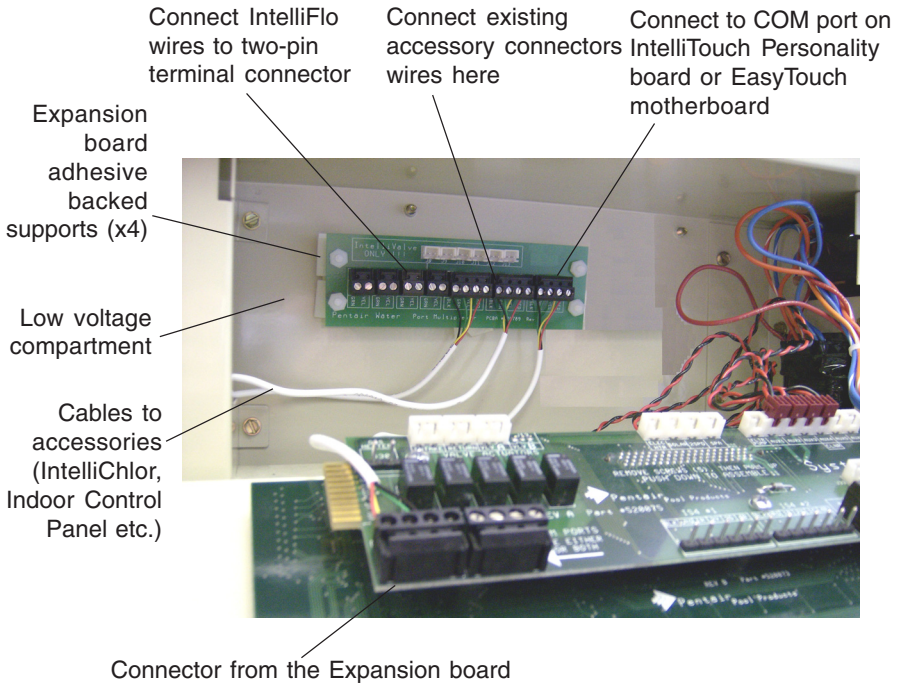
Personality Board

2. Mount the Expansion board on to the back wall in the low voltage compartment of the IntelliTouch or EasyTouch load center using the four adhesive backed supports.
3. Proceed to “Connecting the Transceiver cable plug to the Serial COM Port Expansion Board,” on page 12.

Connecting the Transceiver cable plug to the Serial Com Port Expansion Board

Connect the Transceiver cable plug onto one of the available Serial COM port expansion board connector terminals.

Note: If you have existing accessories (IntelliChlor, IntelliFlo) connected to the IntelliTouch Personality board and need to free up connectors for additional equipment, remove one of the existing connectors (with the attached wires to equipment) from the Personality board and plug it into an available connector on the Expansion board COM port (as shown below).



Notes

