

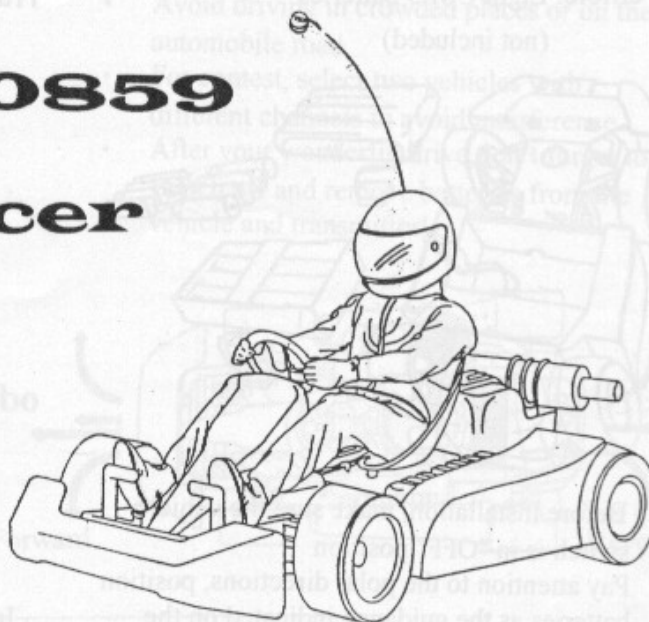
# USER'S MANUAL TOY HOUSE

1:10 scale

# 10859

## Super Racer

Read carefully  
before operation



### Features and functions:

1. Full function with turbo operating system: forward, reverse, left or right turn and stop.
2. Broadened slideproof tires; suspension system with rear wheels;
3. The animated plastical driver sidles nimbly in response to left/right turn of the front wheels.

### Battery requirements:

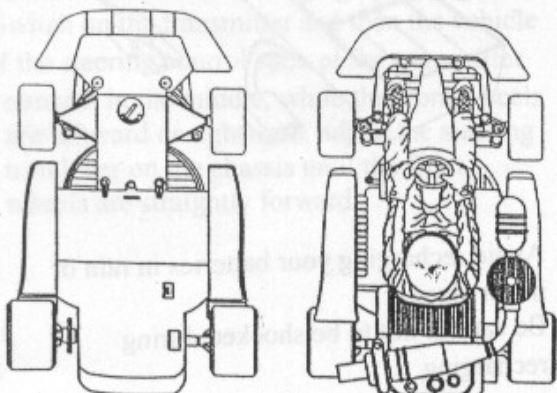
Vehicle:	Eight UM-3 batteries
Transmitter:	One 006p(9V) battery

- Dry battery ,alkaline battery ,or Ni-CAD rechargeable battery all workable. To gain a higher speed, Ni-Cad rechargeable batteries are recommended as they are more powerful than primary cells besides they can be recharged repeatedly 100 times or more.

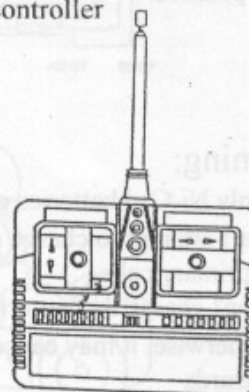
Batteries not included.

### Main vehicle components:

vehicle body

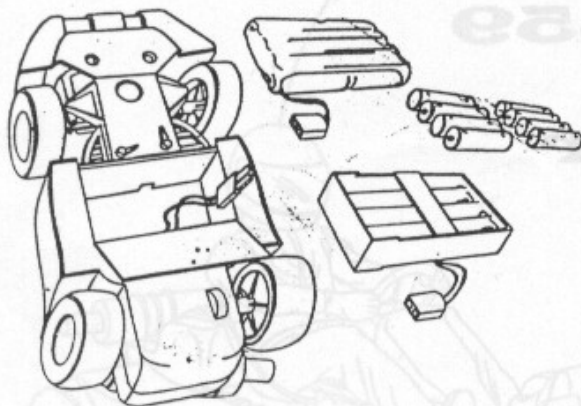


remote controller

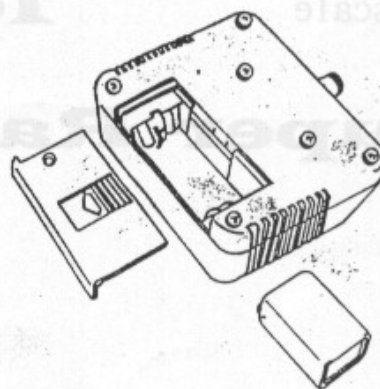


### Instruction for battery installation:

Vehicle: Eight UM-3 batteries  
(not included)



Transmitter: One 006p(9V) battery.



- Before installation, make sure the vehicle switch is in "OFF" position
- Pay attention to the polar directions, position batteries as the guidance indicated on the battery cover.  
(Refer to the figure below)
- Primary cells and rechargeable batteries can not be mixed for use.
- New batteries lead to a higher speed.
- After every play, remove the batteries from the vehicle and the transmitter.

### Charger Specification:

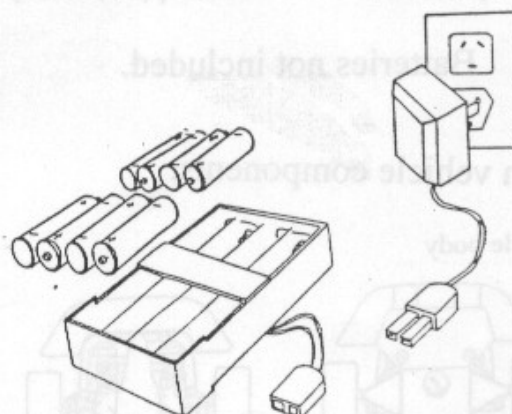
- Use a charger with an input of AC220V 50 Hz and output of DC 12V 300mA. The recharging should be 6~8 hours
- Use a charger with an input of AC110V 60Hz and output of DC 12V 500mA. The recharging should be 4~6 hours
- The center hole of the charger's connector is positive.

### Warning:

- Only Ni-Cad batteries can be charged. Don't attempt to charge alkaline batteries or primary cells
- Don't charge the batteries over six hours. Otherwise, it may cause impairment and hazards

### Instructions for recharging:

- Take the battery case out of the vehicle and disconnect the connector.
- Install eight Ni-Cad rechargeable batteries. Make certain the batteries are positioned exactly as indicated.
- As the figure below, plug one end of the charger into a household outlet and connect the other end with the connector from the vehicle battery case.
- Recharging time should be 4 hours at least, but never more than 6 hours.



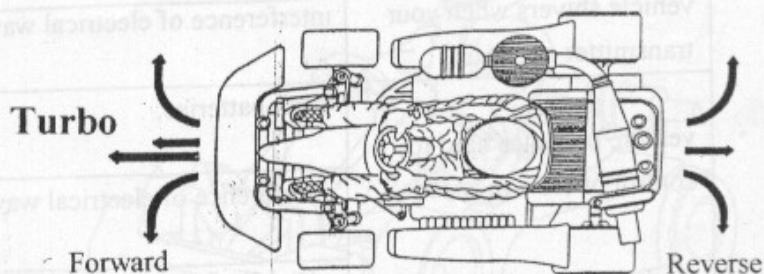
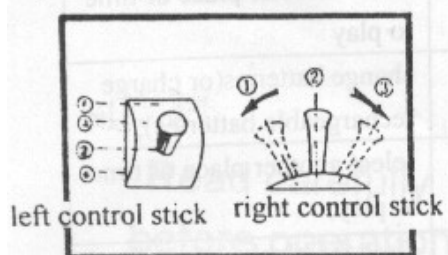
- Avoid recharging your batteries in rain or moist place.
- Be careful not to be shocked during recharging.

**Operating guidance:**

please conform to the operation sequence below:

- Extend transmitter antenna
- To begin operation : Switch on your transmitter first and then the vehicle
- To end operation : Switch off your vehicle first and then the transmitter
- Adjust the steering trim lever
- Don't operate in the place with puddles and mud
- Avoid driving in crowded places or on the automobile road.
- For contest, select two vehicles with different channels to avoid interference.
- After your wonderful drive, don't forget to switch off and remove batteries from the vehicle and transmitter!

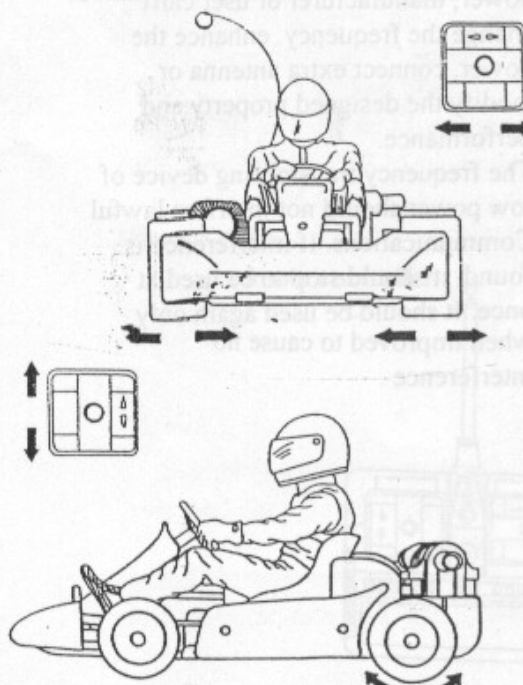
**Operating Sequence:**



position to be put to	corresponding vehicle reactions	position to be put to	corresponding vehicle reactions
L1 and R1	turn left forward	L2 and R1	turn left forward
L1 and R2	straightly forward	L2 and R2	straightly forward
L1 and R3	turn right forward	L2 and R3	turn right forward
L3 and R1	front wheels turn left while vehicle keeps motionless	L4 and R1	turn left reversely
L3 and R2	stop	L4 and R2	reverse
L3 and R3	front wheels turn right while vehicle keeps motionless	L4 and R3	turn right reversely

**About adjusting the trim levers:**

- Before operation, put the vehicle on a level surface with the wheels hanging in the air.
- Switch on the transmitter and then the vehicle.
- If the steering control stick of the transmitter remains in the middle, while the front wheels are leftward or rightward, adjust the steering trim lever on the chassis until the front wheels are straightly forward.



Measures when malfunction:

Symptoms:	Likely causes:	Measures to take;
vehicle remains motionless	not yet switched on;	switch it on ;
	bad connection of battery splinter;	bend connection of battery splinter slightly;
	batteries positioned wrong;	re-install batteries ( pay attention to the poles);
vehicle shivers when your transmitter not in use	interference of electrical wave	select another place or time to play
vehicle becomes hard to control or slow in speed	weak batteries;	change batteries(or charge rechargeable batteries);
	interference of electrical wave;	select another place or time to play;
	wheel shaft wound with thread or other waste;	clear the block
vehicle can't run straightly	front wheels not trimmed	adjust steering trim lever of front wheels in the chassis

\*Apart from the cases above,if your vehicle can't function normally,don't dismantle it randomly.Please contact and send it to us manufacturer for repairment.

Cautions:

- With the verified frequency transmitting electric device of low power, manufacturer or user can't change the frequency. enhance the power, connect extra antenna or modify the designed property and performance.
- The frequency transmitting device of low power should not interfere lawful Communications. If interference is found, it should stop to be used at once. It should be used again only when improved to cause no interference
- The verified frequency transmitter electric device of low power should be able to bear the interference from radiative electric device used in lawful communication, industry , science, or medical treatment.
- Manufacturer or user of the frequency transmitter electric device of low power, Who violated this rule by changing the frequency or power without authorization, would be punished according to the Communication Law.
- If manufacturer of the frequency transmitter electric device of low power is involved in the violation, the Transportation Department would cancel the license or certificate of verification.

Warning:

Only Ni-Cad batteries should be charged.  
Don't attempt to charge alkaline batteries or primary cells.  
Don't charge batteries in fire or near flames.  
Otherwise, it may cause impairment or hazards.



be careful not to be shocked during recharging.