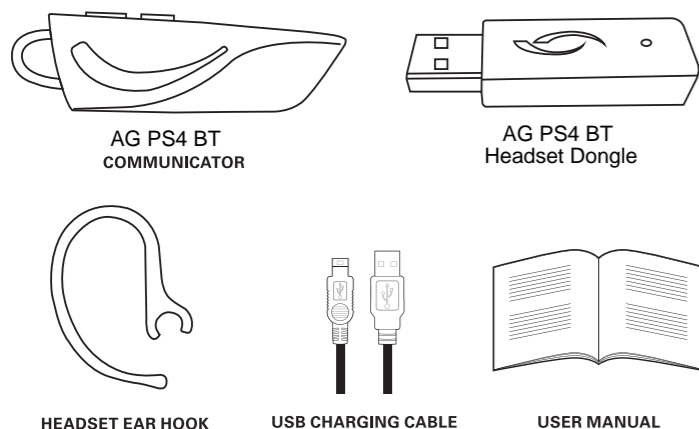


AFTERGLOW® ENGLISH



BLUETOOTH COMMUNICATOR USER MANUAL

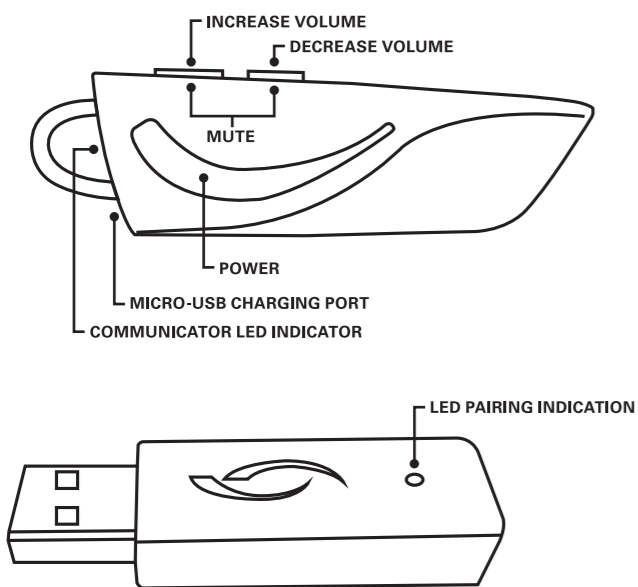
WHAT'S IN THE BOX ENGLISH



KEY FEATURES:

- Power and charging: Offers up to 8 hours on a full charge, and takes 2.5 hours to recharge.
- Range: Optimal range 30 feet from your device.
- Sound tones: Audible sound tones play every 2 minutes to indicate when your battery has less than 20% life left.
- LED indicators: Indicates headset status. See LED lighting legends for details.
- Fit and comfort: Silicone piece made to fit comfortably in the ear. Includes a separate ear hook for a more secure fit.

HEADSET OVERVIEW ENGLISH



HEADSET OVERVIEW ENGLISH

HEADSET LED LIGHTING

Blue LED blinking every 5 seconds	Headset is powered on
Short, quickly blinking red LED	Headset is powering off
Alternating blue and red LED lighting	Headset is in pairing mode
Purple LED blinking every 5 seconds	Battery at 20% (battery's low power sound cue will sound every 2 minutes)
When charging: Solid red LED	Headset is charging
When charging: Solid blue LED	Headset is at full charge

PS4 TRANSMITTER LED LIGHTING

Solid blue LED	Transmitter is paired with headset
Rapidly blinking blue LED	Transmitter is searching for headset

SET UP: PLAYSTATION® 4 ENGLISH

1. Power the headset on by holding the power button for 3 seconds.
2. Plug the PS4 Transmitter into an active USB port on your PS4.
3. Make sure "Chat Audio" is selected as your audio output: Go to your PS4 menu > devices > audio devices > output to headphones > Select "chat audio"
4. In the same menu, you may also adjust your microphone's sensitivity to your liking.

MICROPHONE MUTING AND UNMUTING

Press the increase and decrease volume buttons at the same time	Mutes microphone; indicated by a sound tone
Press the increase and decrease volume buttons at the same time after mute has been initiated	Unmutes microphone; indicated by a sound tone

SET UP: PLAYSTATION® 3 ENGLISH

1. From the off position, turn on your Afterglow Bluetooth Communicator.
2. On your console, enable your Bluetooth settings: PS3 Menu > Settings > Accessory Settings > Manage Bluetooth Devices > Register New Devices.
3. Turn on your Afterglow Bluetooth Communicator and hold down the power button until the LEDs flash red and blue rapidly to initiate the pairing process.
4. In the PS3 menu, select "Start Scanning".
5. When the Afterglow Bluetooth Communicator appears on the screen, select it.
 - a. If an authentication code is needed, type in "0000"
6. You should receive a "Register Completed" message on your screen to confirm the pairing and the headset's LED will be steadily flashing blue.

SET UP: PC/MAC ENGLISH

1. Turn on Bluetooth Services on your PC or Mac and select "add a new device". Your PC or Mac should begin searching.
2. Press and hold the power button on the Afterglow Bluetooth Communicator until the LEDs on the back end flash blue and red rapidly to initiate the pairing process.
3. Wait for your headset and computer to pair. When successful, you will receive a notification on your PC/Mac, and your headset LED will steadily flash blue.
4. To ensure successful communication, check your audio and microphone settings and make sure the Afterglow Bluetooth Headset is selected.
5. If your computer does not have Bluetooth capabilities, use the included PS4 Transmitter for set up.

SET UP: MOBILE DEVICES ENGLISH

1. Make sure your PS4 Transmitter is not plugged into an active USB port, or within a 35 foot range.
2. Press and hold the power button on the Afterglow Bluetooth Communicator until the LEDs on the back end flash blue and red rapidly to put it in pairing mode.
3. Turn on your mobile device's Bluetooth capability and select the Afterglow Bluetooth Communicator from the menu.
4. Adjust the volume of the headset using the increase/decrease volume buttons.
5. While connected to a mobile device, the headset enables the following functions:

Answer/end calls	Press the power button once
Mute/unmute microphone	Press the increase and decrease volume buttons at the same time
Redial	Double press the power button
Take an incoming call and put existing call on hold	Double press the power button while on active call to switch between calls

TROUBLESHOOTING ENGLISH

I CANNOT HEAR OTHERS

- Make sure chat audio is selected on the audio output settings.
- Make sure the headset and USB transmitter are paired.
- Make sure the volume is increased.

OTHERS CANNOT HEAR ME

- Make sure the headset is powered on.
- Make sure the headset is not muted.
- Make sure in your PS4 settings, the "Afterglow Bluetooth Transmitter" is selected as your input device.
- Make sure your headset and PS4 transmitter are paired, and within range of each other.

MY HEADSET IS NOT PAIRING WITH THE DEVICE

The Afterglow PS4 Bluetooth Headset may be paired to multiple devices but can only actively pair with one device at a time. If your headset is paired with a mobile device and you want to use the headset with a game console, you must disconnect the headset from your mobile device first before connecting to your game console, and vice versa.

RE-PAIRING

Your headset and transmitter come pre-paired, but in the event that you must re-pair your headset, follow the steps below:

- Make sure your PS4 Transmitter is in range and plugged in
- Make sure your headset is paired with the transmitter. Put your headset into pairing mode by pressing and holding the power button until the lighting on the headset alternates red and blue rapidly
- Reset the PS4 transmitter by unplugging it, then plugging it back into your system
- Reset the headset by powering it off, then powering it on again

For further assistance with your Afterglow Bluetooth Communicator, visit the Support Center at <http://www.pdp.com/info/support> or call 1(800)331-3844, Monday-Friday 8:30am-5pm PST.

©2015 Performance Designed Products, LLC. Performance Designed Products, PDP, Afterglow and their respective logos are trademarks and/or registered trademarks of Performance Designed Products, LLC. The Bluetooth® word mark and logos are registered trademarks owned by Bluetooth SIG, Inc. and are used by PDP under license. PlayStation 4 and PlayStation 3 are registered trademarks of Sony Computer Entertainment, Inc. This product is not designed, manufactured, sponsored or endorsed by Sony. All rights reserved.

Our goods come with guarantees that cannot be excluded under the Australian Consumer Law. You are entitled to a replacement or refund for a major failure and for compensation for any other reasonably foreseeable loss or damage. You are also entitled to have the goods repaired or replaced if the goods fail to be of acceptable quality and the failure does not amount to a major failure.

Class B: FEDERAL COMMUNICATIONS COMMISSION INTERFERENCE STATEMENT

This equipment has been tested and found to comply with the limits for a Class B digital device, pursuant to part 15 of the FCC Rules. These limits are designed to provide reasonable protection against harmful interference in a residential installation. This equipment generates, uses and can radiate radio frequency energy and, if not installed and used in accordance with the instructions, may cause harmful interference to radio communications. However, there is no guarantee that interference will not occur in a particular installation. If this equipment does cause harmful interference to radio or television reception, which can be determined by turning the equipment off and on, the user is encouraged to try to correct the interference by one or more of the following measures:

- Reorient or relocate the receiving antenna.
- Increase the separation between the equipment and receiver.
- Connect the equipment into an outlet on a circuit different from that to which the receiver is connected.
- Consult the dealer or an experienced radio/TV technician for help.

CAUTION:

Changes or modifications not expressly approved by the party responsible for compliance could void your authority to operate the equipment.

This device complies with Part 15 of the FCC Rules. Operation is subject to the following two conditions: (1) this device may not cause harmful interference, and (2) this device must accept any interference received, including interference that may cause undesired operation.

The equipment complies with FCC RF exposure limits set forth for an uncontrolled environment. The equipment must not be co-located or operating in conjunction with any other antenna or transmitter.

Canada, Industry Canada (IC) Notices

This device complies with Industry Canada licence RSS standard(s).

Operation is subject to the following two conditions: (1) this device may not cause interference, and (2) this device must accept any interference, including interference that may cause undesired operation of the device.

- Radio Frequency (RF) Exposure Information

The radiated output power of the Wireless Device is below the Industry Canada (IC) radio frequency exposure limits. The Wireless Device should be used in such a manner such that the potential for human contact during normal operation is minimized.

- This device has also been evaluated and shown compliant with the IC RF Exposure limits under portable exposure conditions. (antennas are less than 20 cm of a person's body).

- Canada, avis d'Industry Canada (IC)

Cet appareil numérique de classe B est conforme aux normes canadiennes ICES-003 et RSS-210.

Son fonctionnement est soumis aux deux conditions suivantes : (1) cet appareil ne doit pas causer d'interférence et (2) cet appareil doit accepter toute interférence, notamment les interférences qui peuvent affecter son fonctionnement.

- Informations concernant l'exposition aux fréquences radio (RF)

La puissance de sortie émise par l'appareil de sans fil est inférieure à la limite d'exposition aux fréquences radio d'Industry Canada (IC). Utilisez l'appareil de sans fil de façon à minimiser les contacts humains lors du fonctionnement normal.

- Ce périphérique a également été évalué et démontré conforme aux limites d'exposition aux RF d'IC dans des conditions d'exposition à des appareils portables, (les antennes sont moins de 20 cm du corps d'une personne).

FCC ID: X5B-051019R IC: 8814A-051019R FCC ID: X5B-051019T IC: 8814A-051019T



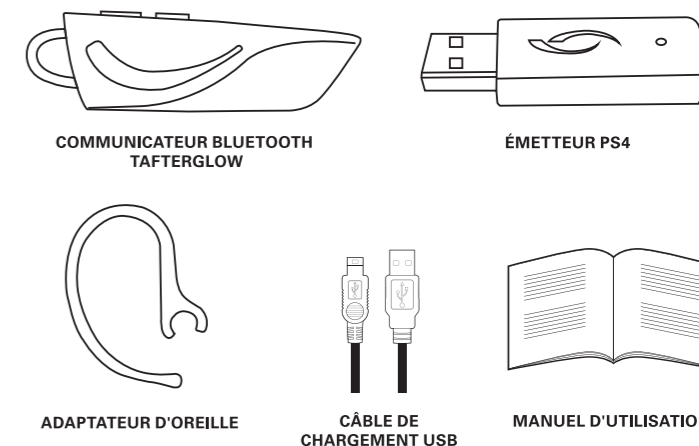
1840 East 27th Street
Vernon, CA 90058 USA
Ph: 800-331-3844 (USA and Canada only)
Sienna Court, Broadway
Maidenhead SL6 1NJ
U.K.

2 year limited warranty.
See www.pdp.com for details.
Garantie limitée de 2 ans.
Voir www.pdp.com pour plus de détails.

Headset model: 051-019T, USB Transmitter model: 051-019R



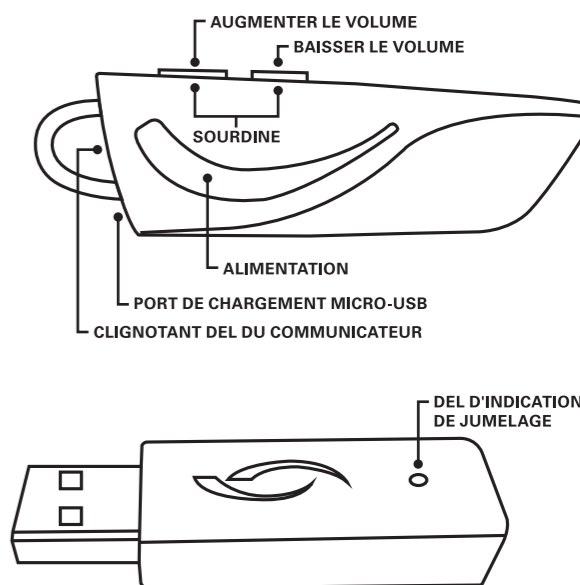
CE QU'IL Y A DANS LA BOÎTE FRANÇAIS



CARACTÉRISTIQUES CLÉS :

- Alimentation et chargement: Offre jusqu'à 8 heures d'autonomie avec une recharge complète, et se recharge en 2,5 heures.
- Portée: Portée optimale de 9 mètres de votre appareil.
- Signaux sonores: Des signaux sonores audibles se font entendre toutes les 2 minutes pour indiquer que votre batterie a moins de 20 % de charge restante.
- Voyants DEL: Indique l'état du casque. Voir la légende de l'éclairage DEL pour plus de détails.
- Ergonomie et confort: Pièce en silicone conçue pour tenir confortablement dans l'oreille. Inclut un adaptateur d'oreille flexible pour une tenue encore plus sûre.

PRÉSENTATION DU CASQUE-MICRO FRANÇAIS



PRÉSENTATION DU CASQUE-MICRO FRANÇAIS

ÉCLAIRAGE DEL DU CASQUE	
DEL bleue clignotant toutes les 5 secondes	Le casque est en marche
DEL rouge à clignotement court et rapide	Le casque s'éteint
DEL bleue et rouge à clignotement alternatif	Le casque est en mode jumelage
DEL violette clignotant toutes les 5 secondes	Batterie à 20 % (le signal sonore indiquant une batterie faible retentira toutes les 2 minutes)
Pendant le chargement: DEL rouge solide	Le casque est en cours de chargement
Pendant le chargement: DEL bleue solidet	Le casque est entièrement rechargé

ÉCLAIRAGE ROUGE DE L'ÉMETTEUR PS4	
DEL bleue solide	L'émetteur est jumelé avec le casque
DEL bleue à clignotement rapide	L'émetteur est à la recherche d'un casque

AFTERGLOW® FRANÇAIS



COMMUNICATEUR BLUETOOTH MANUEL D'UTILISATION