

CAT MATE® *Elite*

CAT FLAP · KATZENKLAPPE · CHATIÈRE · GATERA · KATTENDEUR

Ref: 305N · 306 · 307 · 355 · 356

IMPORTANT - READ BEFORE USE

FITTING INSTRUCTIONS

D WICHTIG - BITTE VOR VERWENDUNG LESEN

EINBAUANLEITUNG

F IMPORTANT - À LIRE AVANT USAGE

INSTRUCTIONS DE MONTAGE

E IMPORTANTE - LEA ANTES DE USAR

INSTRUCCIONES DE INSTALACIÓN

NL BELANGRIJK! DIT EERST LEZEN VOOR GEBRUIK

MONTAGE INSTRUCTIES

 **www.pet-mate.com**

 **+44 (0)1932 700 001**
N America (936) 760 4333

© **PET MATE Ltd** · Lyon Road · Hersham · Surrey · KT12 3PU · England

N.America only:

Ani Mate · 104A Longview Drive · Conroe · Texas 77301

www.pet-mate.com

30512/0312

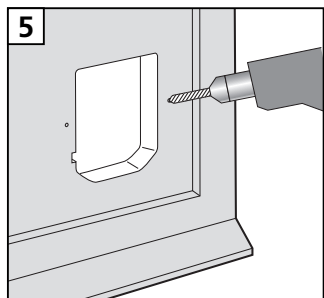
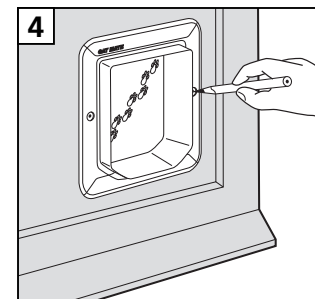
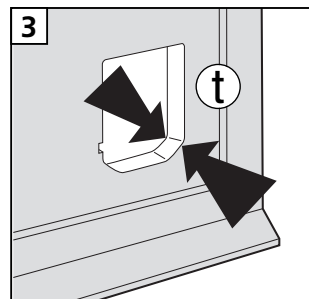
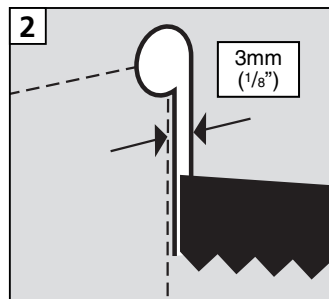
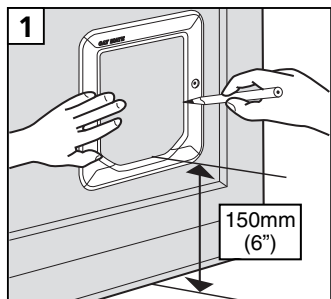
ENGLISH

DEUTSCH

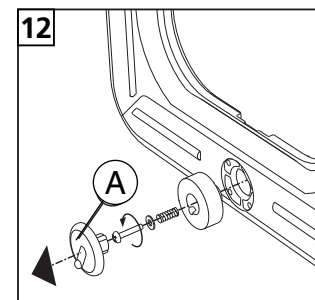
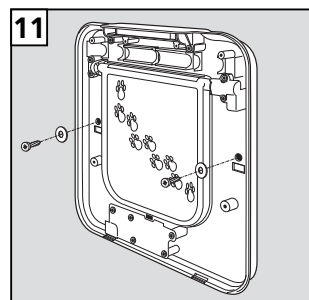
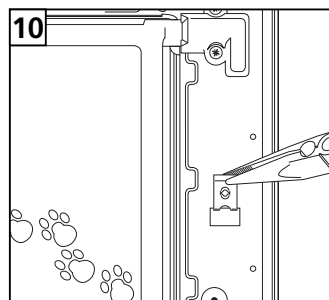
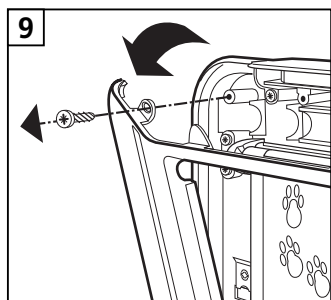
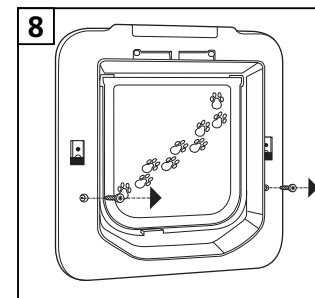
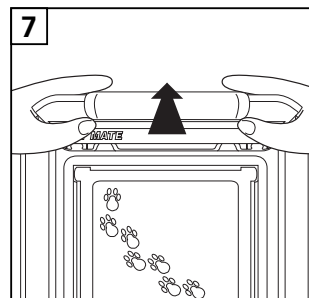
FRANÇAIS

ESPAÑOL

NEDERLANDS



	0-12mm (0-½") 25mm (1")
	12-25mm (½-1") 38mm (1½")
	25-38mm (1-1½") 50mm (2")
38-50mm (1½-2") 65mm (2½")	



ENGLISH

DEUTSCH

FRANÇAIS

ESPAÑOL

NEDERLANDS

IMPORTANT:

- **BEFORE INSTALLATION, PROGRAM CAT FLAP AS DESCRIBED IN OPERATION INSTRUCTIONS**
- **DO NOT CUT TUNNEL OF CAT FLAPS.**

1. Wood / Plastic / Metal Door Panels

- 1.1 Place exterior frame in desired position on door and draw around the aperture. We recommend the bottom of the aperture is approximately 150mm (6") above ground level. (Fig.1). If you must fit higher consider providing a step to help your cat enter.
- 1.2 Use an electric jigsaw to cut 3mm (1/8") OUTSIDE of drawn line. (Fig. 2). Be careful to cut hole square to the door, particularly with thicker doors. Ensure interior frame is free fitting in hole.
- 1.3 Determine thickness of door panel, (t). (Fig. 3).
- 1.4 Holding the interior frame and the exterior frame in position, mark the 2 screw holes. (Fig. 4).
- 1.5 Remove the frames and drill screw clearance holes in panel to 6mm (1/4") diameter. (Fig. 5).
- 1.6 Position interior frame on inside of door and screw exterior frame to it by using appropriate screws for panel thickness, (t), as shown in Fig. 6. If necessary, cut supplied screws to length. Finally fit two screw caps.
- 1.7 For metal panels you must remove batteries for a minimum of 2 minutes after installation. This will enable the cat flap to retune itself to its new location for maximum performance.

2. Glass Panels 0-50mm (0-2") Thick

- 2.1 We recommend that you ask a glazier to cut a hole of 229mm (9") diameter in the position required and then install the cat flap as detailed below. Alternatively, you may prefer to replace the glass panel with a clear plastic panel and install as instructions 1.1 to 1.6.

Note: It is not possible to cut a hole in double glazed or toughened glass. You will need a new panel with the hole already cut from your glazier.

- 2.2 Determine thickness of door panel, (t). (Fig. 3).

- 2.3 The black foam seal is not suitable for fitting to glass and should be removed. If desired, the exterior frame may be sealed to the glass panel using silicone sealant.
- 2.4 Position interior frame on inside of door, screw exterior frame to it by using appropriate screws for panel thickness, (t), as shown in Fig. 6. If necessary, cut supplied screws to length. Finally fit two screw caps.

3. Wall Fitting

If you are installing your cat flap in a wall, you will need to purchase Elite wall liners. You will need 1 wall liner for every 50mm (2") of wall thickness over 50mm (2") or 100mm (4") for '**Chip & Disc**' (Ref. **355/356**) cat flaps.

- 3.1 Create a rectangular hole in your wall 205mm (8") high by 180mm (7") wide.
- 3.2 Remove interior frame battery cover by pushing up as shown, (Fig. 7). **4 Way Locking Cat Flap (Ref. 307) only:** Remove the 4-way knob as shown in Fig. 12 using a thin screwdriver to lever off cover (A) as shown.
- 3.3 Remove interior frame cover by unscrewing 2 screws in rear of interior frame (Fig. 8). (*Note: these screws may be discarded as it will be impossible to refit them*). Next remove the 2 screws under the battery cover and remove the interior frame by pivoting down (Fig. 9).
- 3.4 Carefully remove 2 screw clips with pliers. (Fig. 10).
- 3.5 Fit interior frame assembled with requisite number of wall liners to interior wall securing in position with 2 suitable screws as shown in Fig. 11. (*Note: you will need to fit a washer (not supplied) under the head of the screws*). If required, the wall liners may be glued in place, although a firm push fit will usually suffice.
- 3.6 Refit interior frame cover with 2 screws under battery cover, taking great care not to trap electrical wires. (Refit the 4-way knob for **4 Way Locking Cat Flap** using a hand screwdriver.) Replace the battery cover.
- 3.7 Fit exterior frame using 2 off 25mm (1") screws supplied and finally, fit 2 screw caps.

FCC STATEMENT

This device complies with Part 15 of the FCC Rules. Operation is subject to the following two conditions:

- (1) This device may not cause harmful interference.
- (2) This device must accept any interference received, including interference that may cause undesired operation.

Changes or modifications not expressly approved by the party responsible for compliance could void the user's authority to operate the equipment.