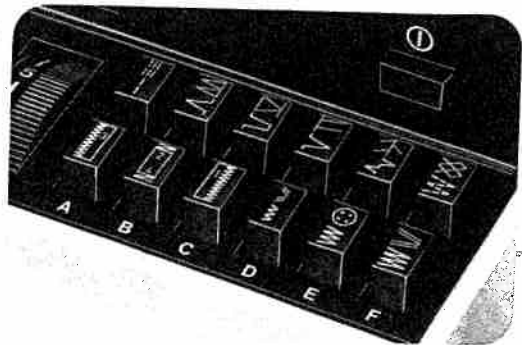
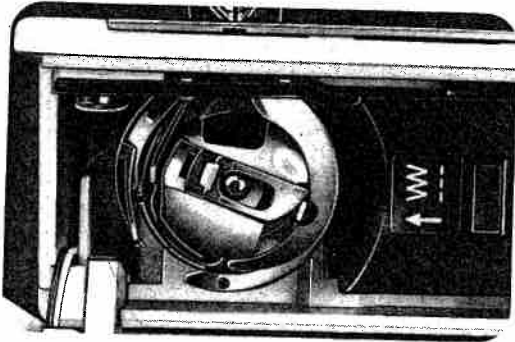
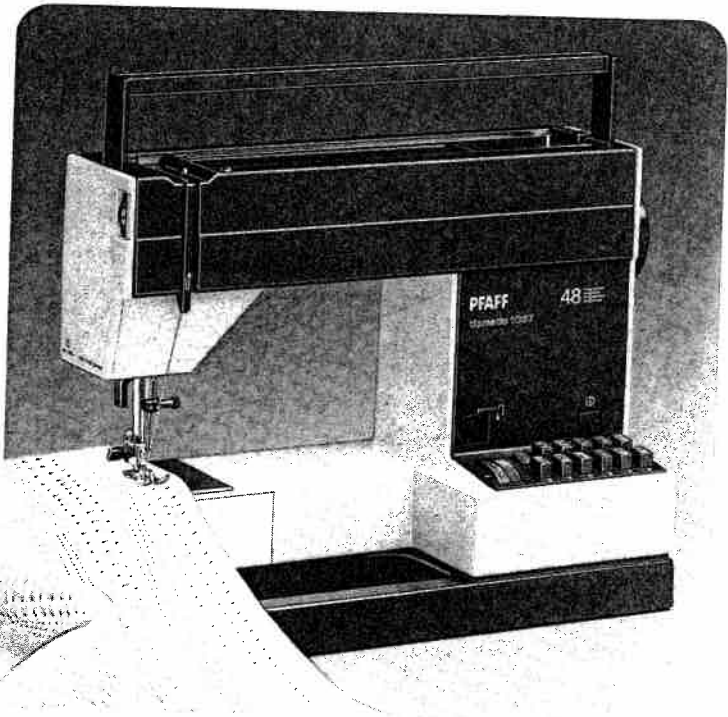
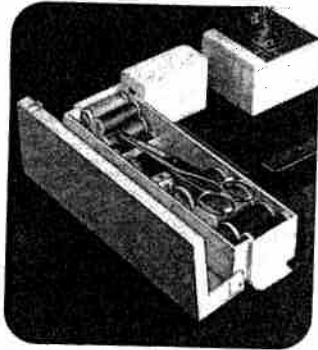
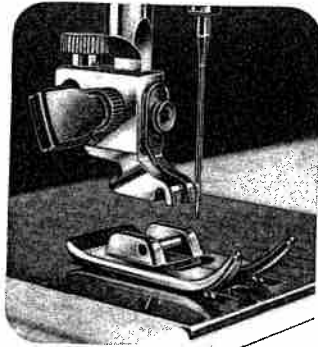
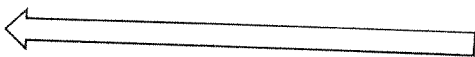
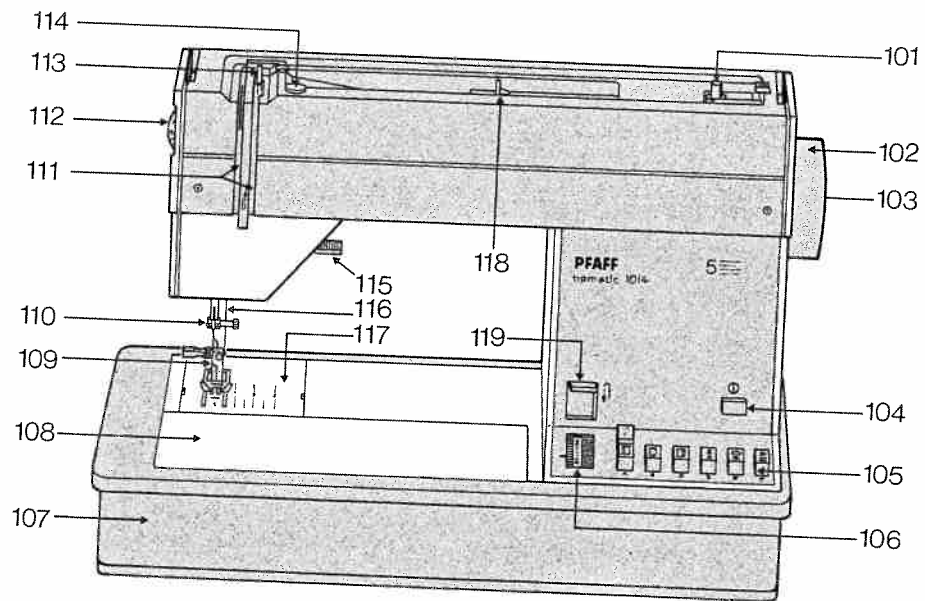


PFAFF[®] tipmatic
1014·1015·1019
1035·1037 1011
Instruction Book

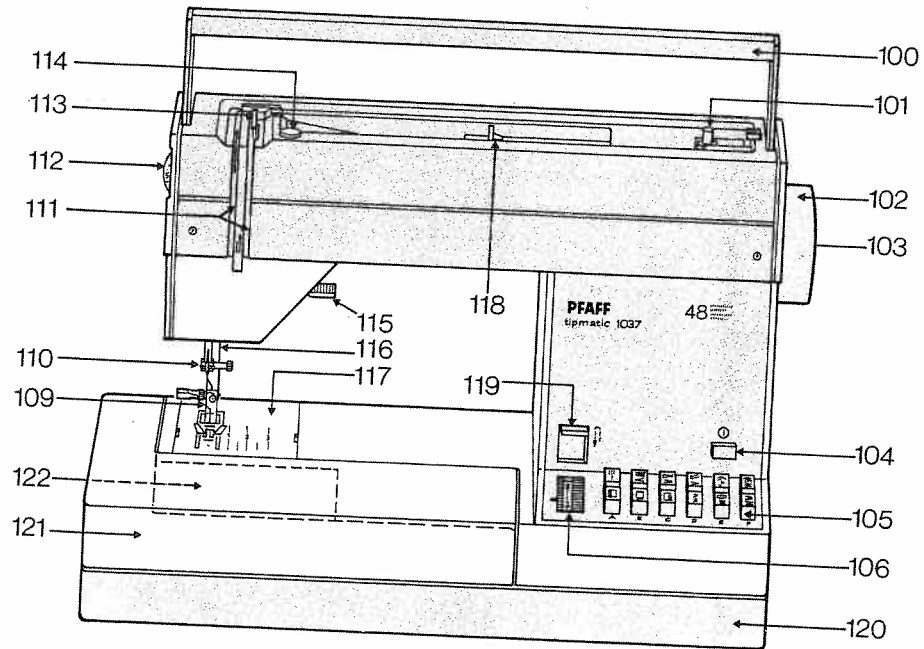


 Fold this page out

Index	Page
Bobbin	7
Bobbin case	7, 8
Bobbin thread	8
Buttonholing	20, 21
Carrying case	1
Carrying handle	1
Cleaning	22
Electrical connection	3
Finger-tip stitch buttons, Models 1014 and 1015	12
Finger-tip stitch buttons, Model 1019	13
Finger-tip stitch buttons, Model 1035	14
Finger-tip stitch buttons, Model 1037	15
Foot control	3
Light bulb	22
Machine feed	18
Needle	18
Needle position	17
Oiling	22
Presser bar lifter	9
Reverse sewing	11
Sewing feet	2, 19
Sewing mechanism	5
Slot-threading	4
Special accessories	23
Special sewing feet	20
Spool of thread	4
Stitch length	11
Stitch program chart	26-29
Straight-stitch needle position	14
Stretch stitches	16
Thread cutter	9
Thread tensions	10
Trouble shooting	24, 25
Upper threading	5
Utility stitches	16
Utility/stretch stitch combinations	17
Winding	6
Work support	1



Model 1014



Models 1015-1037

Parts of your sewing machine

- 100 Carrying handle
- 101 Bobbin winder
- 102 Hand wheel
- 103 Stop motion knob
- 104 Master switch
- 105 Finger tip stitch buttons
- 106 Stitch length control
- 107 Machine base
- 108 Cover, enclosing hook
- 109 Sewing foot holder with sewing foot
- 110 Needle holder with set screw
- 111 Threading slots
- 112 Needle thread tension
- 113 Take-up lever
- 114 Thread retainer stud
- 115 Presser bar lifter
- 116 Presser bar with thread cutter
- 117 Needle plate
- 118 Spool holder with unreeling disc
- 119 Reverse-feed control
- 120 Base plate
- 121 Detachable work support with accessory compartment
- 122 Free arm cover, enclosing sewing hook

Some safety rules

1. Be careful when sewing that your fingers will not be injured by the needle.
2. Make sure you pull out the power cord plug whenever you want to change needle, sewing foot, bobbin or needle plate, when you clean and oil the machine, or when you have to interrupt sewing and leave the machine for a while.
3. Be sure to use only a 15-watt light bulb in the sewing lamp.

IMPORTANT

Valid for United Kingdom only

The wires in this mains lead are coloured in accordance with the following code:

Blue: Neutral

Brown: Live

As the colours of the wires in the mains lead of this appliance may not correspond with the coloured marking identifying the terminals in your plug, proceed as follows: The wire which is coloured blue must be connected to the terminal which is marked with the letter N or coloured black.

The wire which is coloured brown must be connected to the terminal which is marked with the letter L or coloured red.

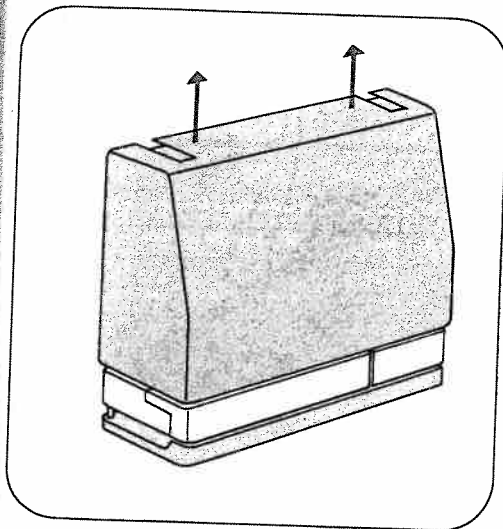
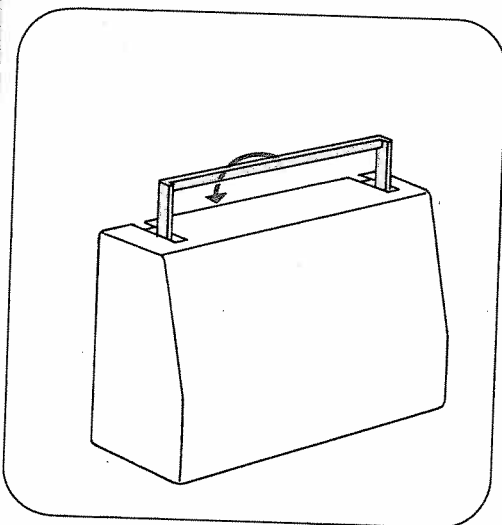
Please note:

When a 13-ampere plug is used a 3-ampere fuse has to be fitted.

Removing the carrying case cover

To lift off the carrying case cover, fold the handle to the rear, as indicated by an arrow.

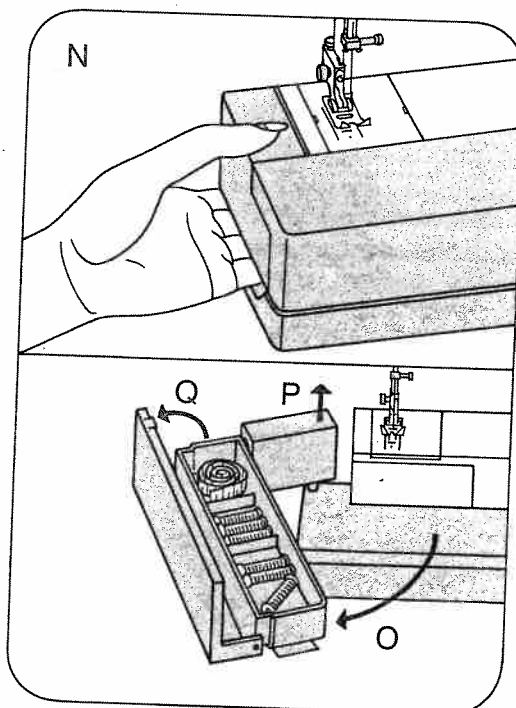
Then lift the cover off.



Removing and opening the detachable work support (1015-1037)

Reach under the detachable work support with your left hand (N), swing it out toward the left (O), and lift it out (P). Then open its lid (Q).

The accessory box is used to put away sewing feet, thread and other accessories.

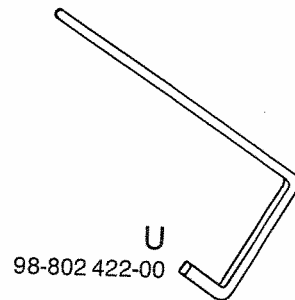
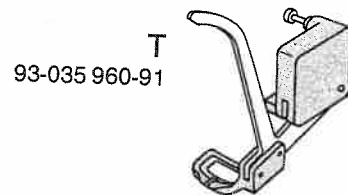
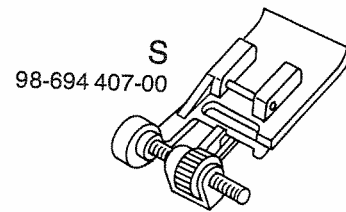
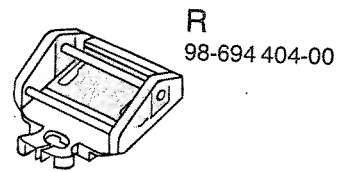
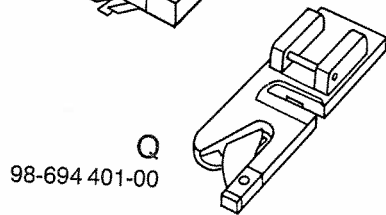
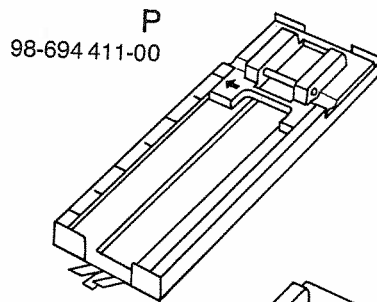
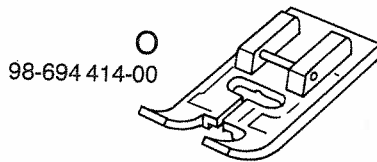
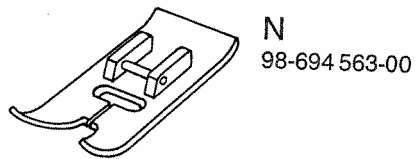


Model 1014 on sewing cabinet (not ill.)
Model 1014 can be placed on a sewing cabinet. For this reason, this machine has two holes at the back.

Sewing feet

- N Standard sewing foot
- O Clear-view foot
- P Buttonhole foot
- Q Hemmer foot

- R Zipper foot
- S Blindstitch foot
- T Darning foot
- U Edge guide



Electrical connection

Take the foot control out of the machine. Push plug O into the machine socket and plug P into the wall outlet. Press master switch 104. Your machine is now ready for sewing.

When you put the machine away, the foot control is placed in the machine again as shown in the illustration (N).

Foot control

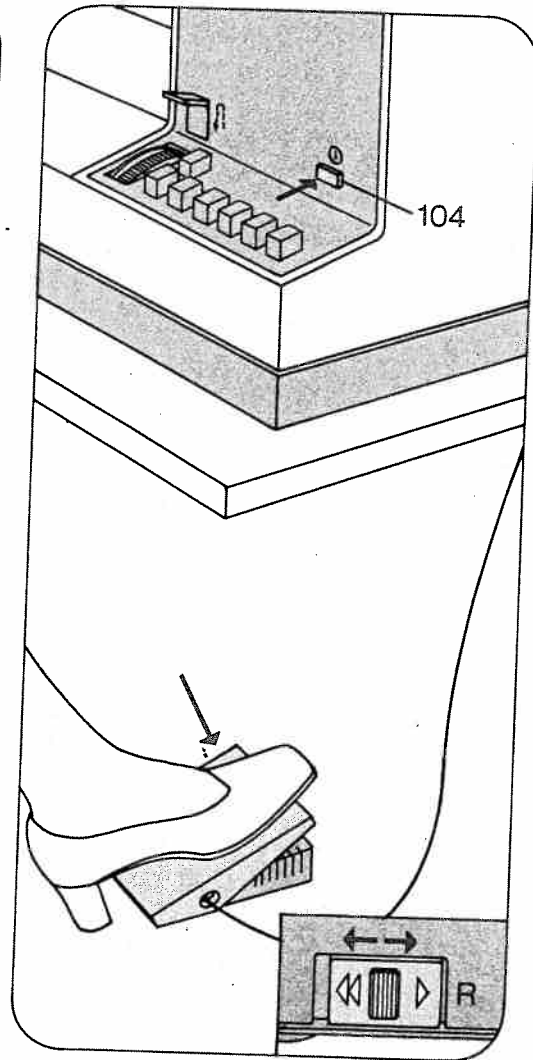
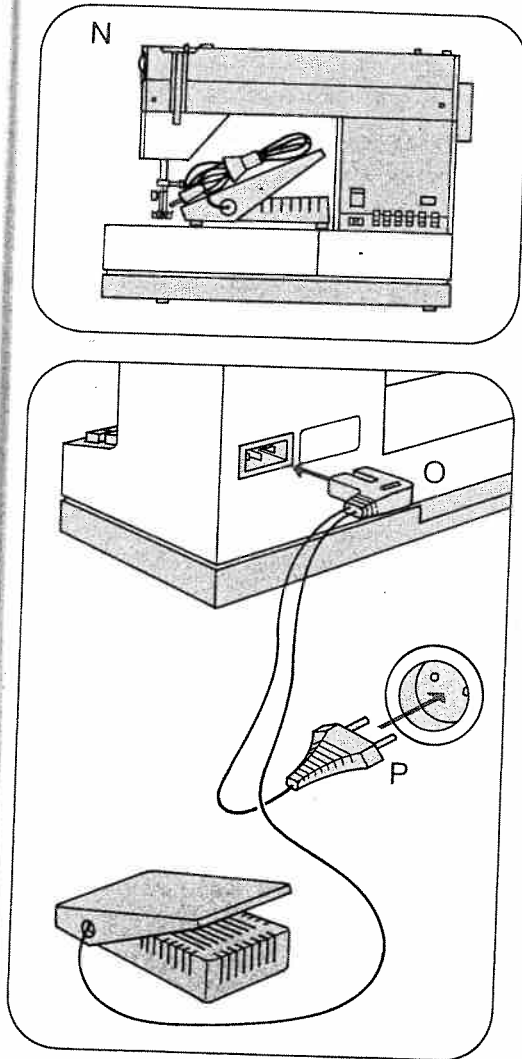
Place the foot control under the table. Press down the pedal, and the machine starts sewing. The more the pedal is depressed, the faster the machine runs.

Electronic foot control

Slide R on the electronic foot control serves to reduce the top speed of the machine to half. The full piercing power of the needle is always retained, regardless of sewing speed.

Position ► = half the top speed

Position ◀◀ = full top speed



Placing spool of thread on pin

Load thread reel with diagonal cut for end of thread facing to right.

N Small spools of thread: use small or medium unreeling disc. Push the spool of thread onto the spool pin and place unreeling disc Q in front of the spool.

O Large spools of thread: use large unreeling disc. Push the spool of thread onto the spool pin and place unreeling disc R in front of the spool.

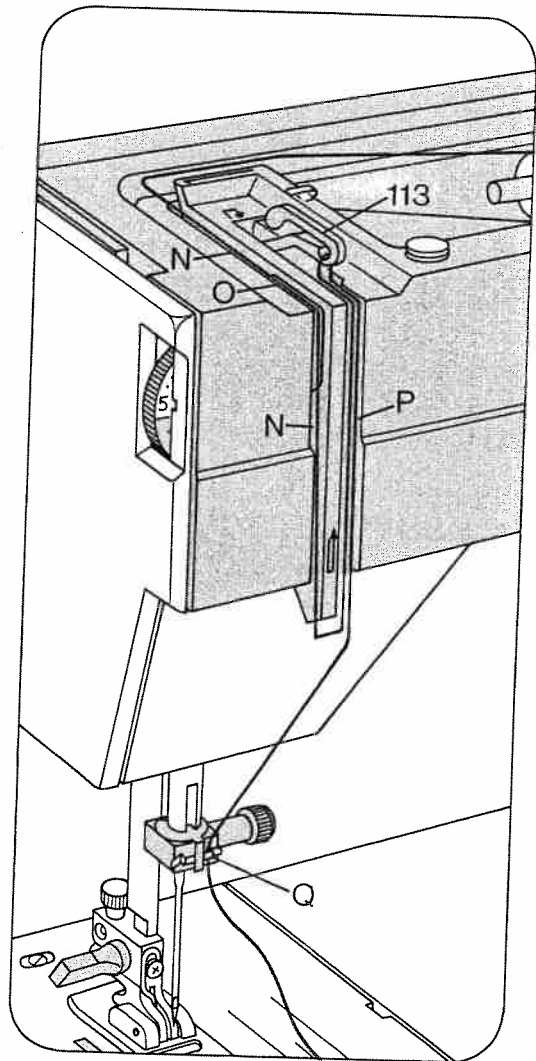
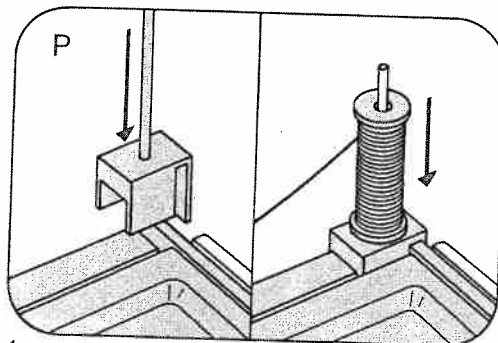
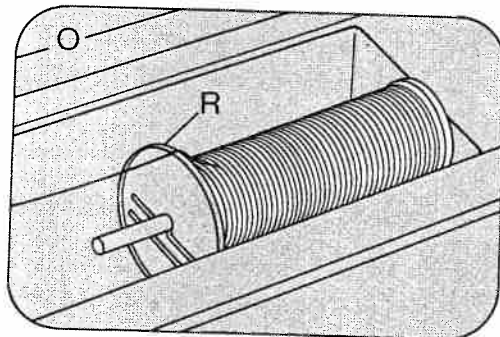
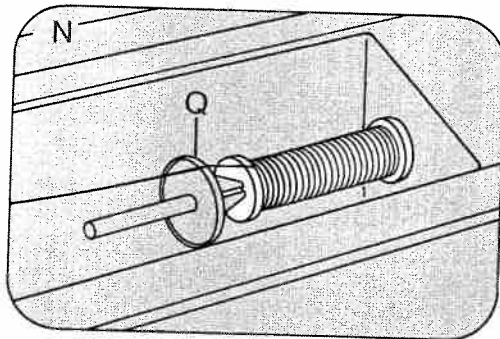
P Second spool holder: It is included in the accessories and is intended for bobbin winding and for two-needle sewing. Swing backwards the carrying handle and fit the

spool holder on the machine at the right. Then push a spool of thread onto the spool holder.

Upper threading

For threading, both the needle and the take-up lever must be in their "up" position. Raise the sewing foot. Pull the thread from the spool and draw it into slot N (to the left of guide O), from below into slot P and take-up lever 113.

Then draw it back into slot P and into the right thread guide Q on the needle holder. For two-needle sewing, draw one thread into the slot to the left of guide O and the



other to the right of the guide. One of the threads is then pulled into the right thread guide, the other into the left thread guide on the needle holder.

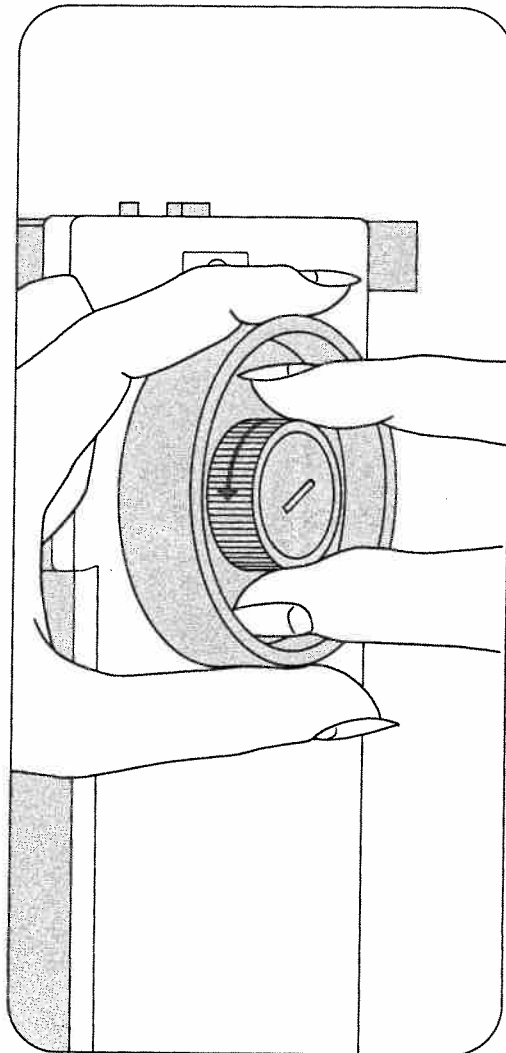
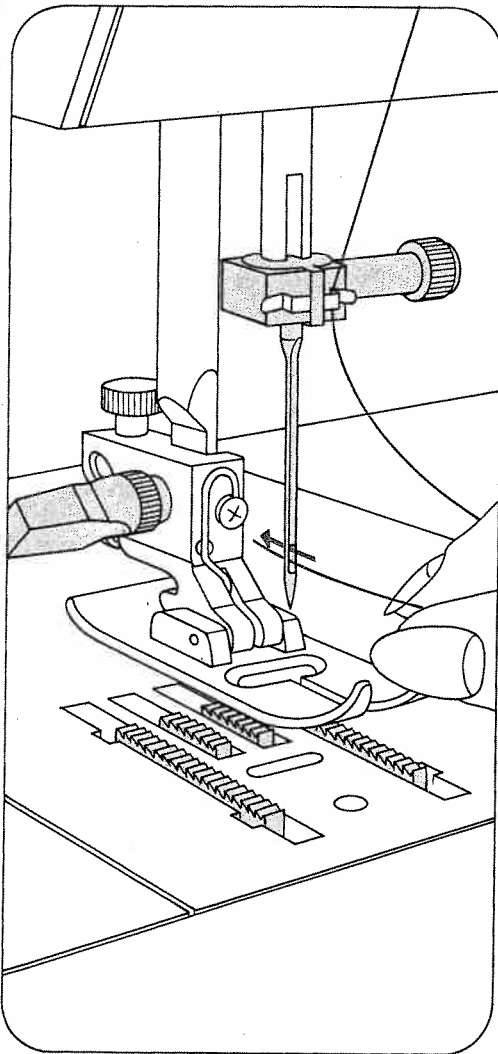
Threading the needle

Thread the needle from front to back.

Disengaging the sewing mechanism

Before you start winding the bobbin, disengage the sewing mechanism.

Hold the hand wheel steady and turn the stop motion knob toward you. After bobbin winding, tighten the knob again by turning it away from you.

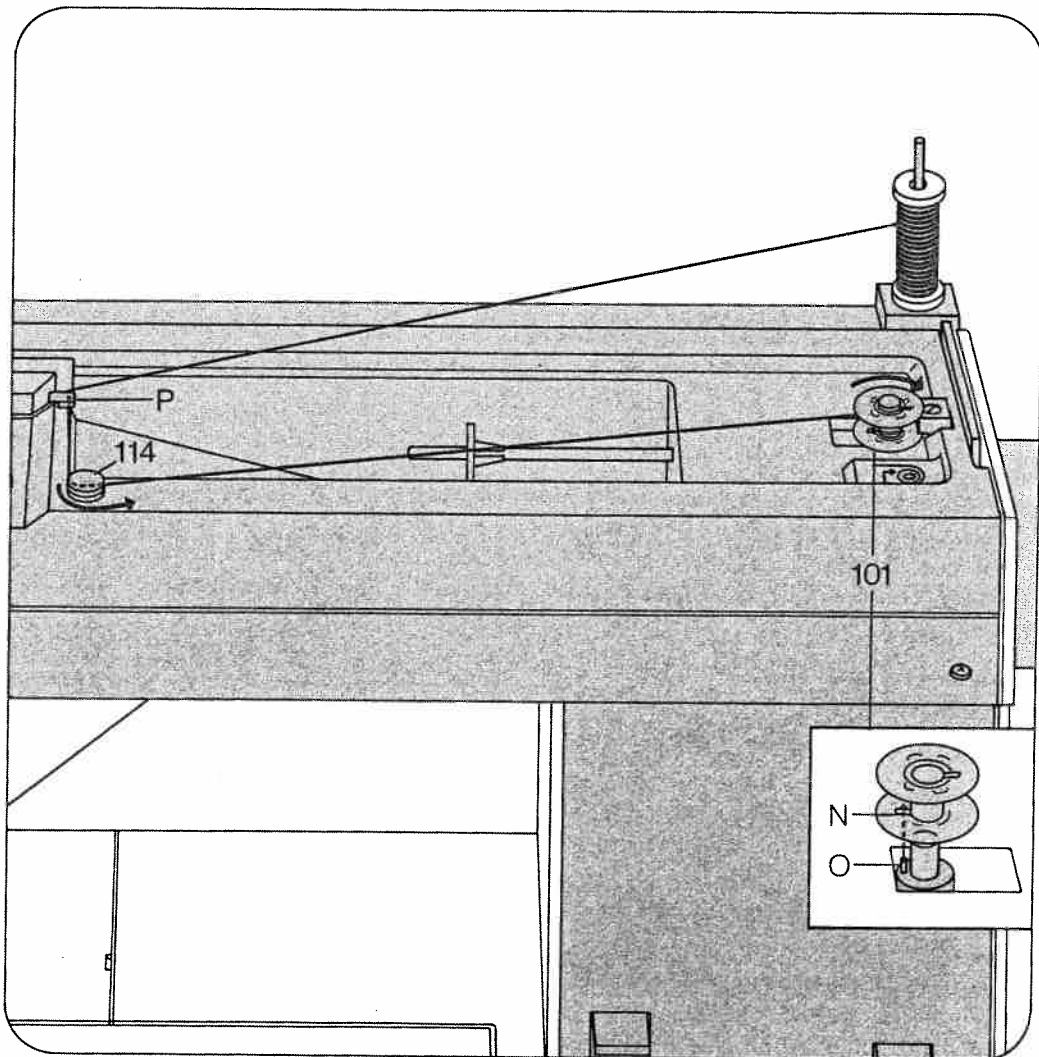


Needle thread and

Winding

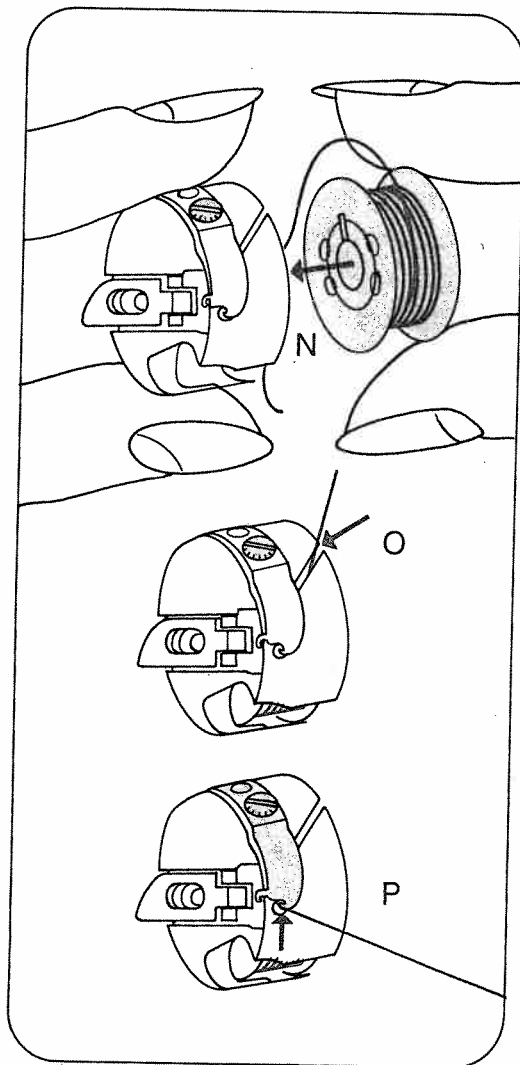
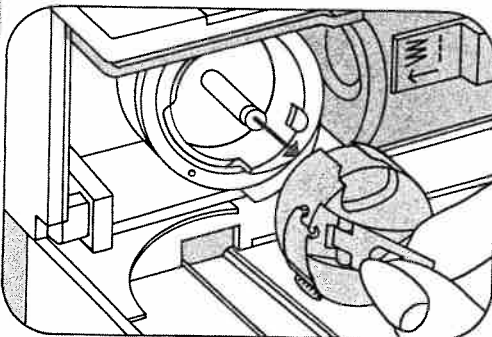
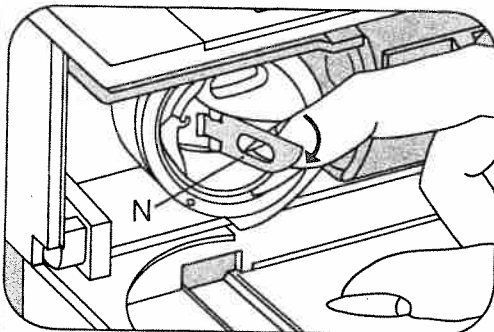
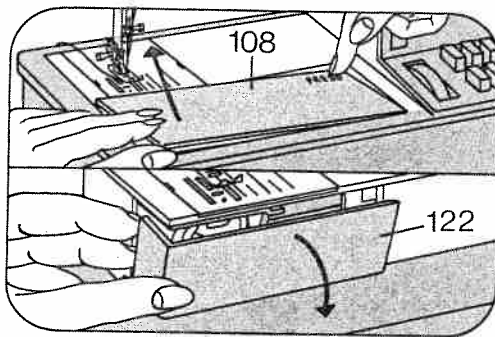
Disengage the sewing mechanism (page 5). Fit a second spool holder to the machine and place a spool of thread on it. Place a bobbin on spindle 101 so that pin O enters slot N. Pull the thread from the spool and draw it through guide P and around thread retainer stud 114.

Then pull the thread toward the bobbin winder and wind a few turns of thread on the bobbin. Push the bobbin toward the right, press down the foot control pedal and wind the bobbin. The bobbin winder stops automatically when the bobbin is full. Push the full bobbin toward the left and take it out. Cut the thread.



Removing bobbin case and bobbin
Remove cover 108 or open free arm cover 122. Pull out latch N, then lift out the bobbin case, release the latch and take out the bobbin. The bobbin cannot fall out as long as you keep latch N pulled out.

Inserting the bobbin
Insert the filled bobbin into the bobbin case so that the thread unreels toward the back (N). Then draw the thread into slot O and under the spring into eye P.

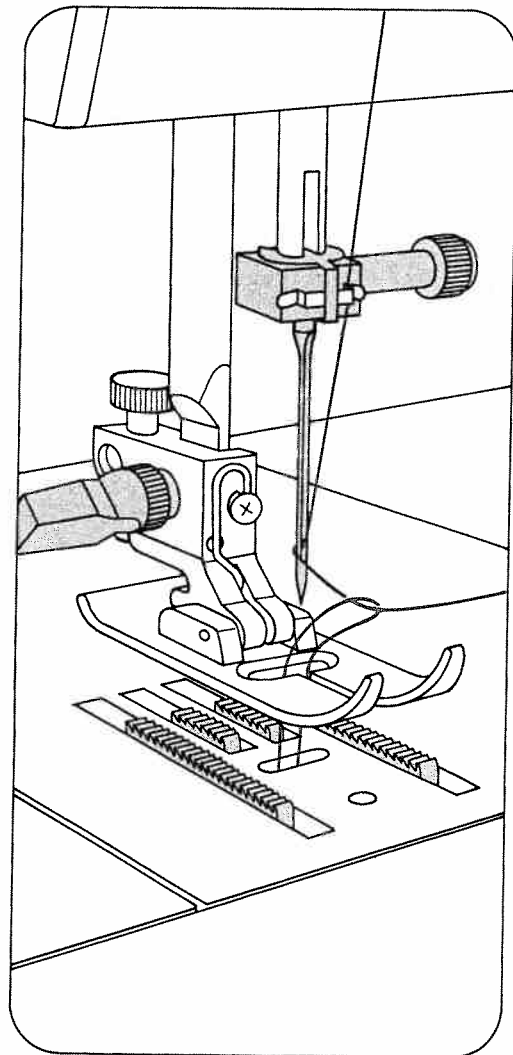
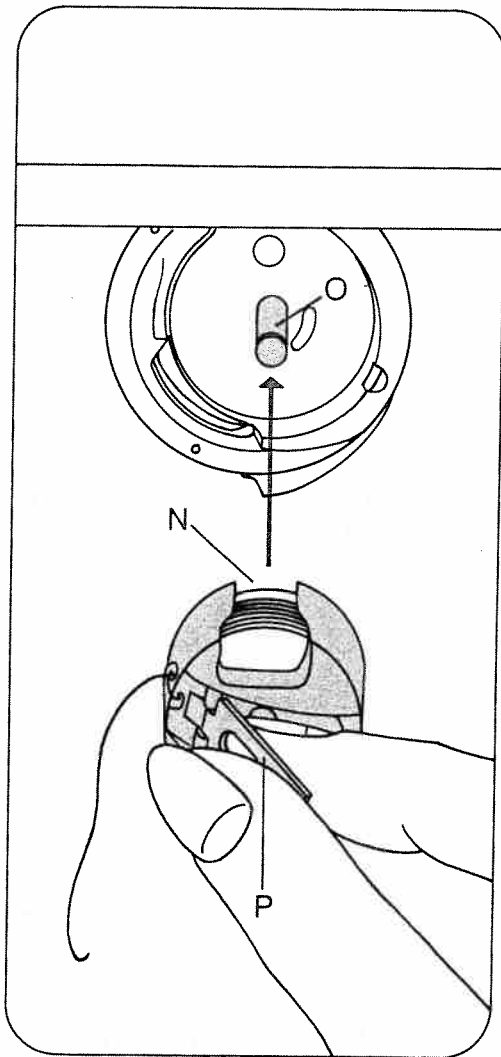


Inserting the bobbin case

Pull up latch P and push the bobbin case onto stud O as far as it will go. Cutout N must point upwards. Release the latch. Stud O and latch P must be flush. Replace cover 108 or close free arm cover 122.

Drawing up the bobbin thread

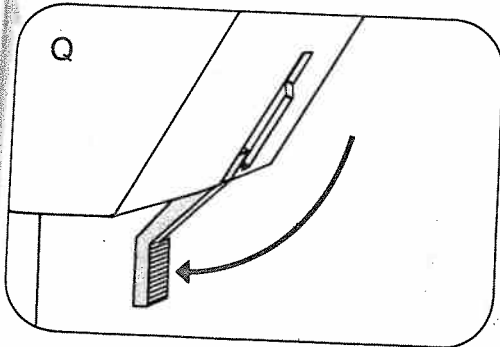
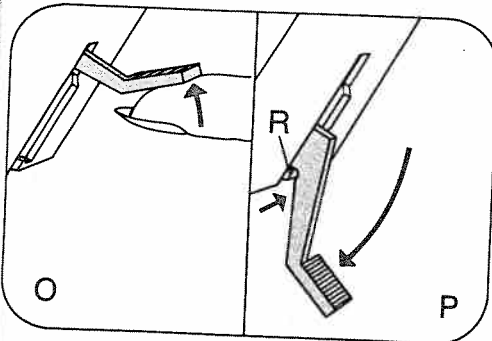
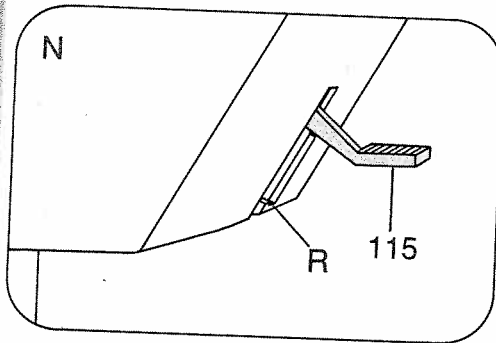
Hold the needle thread a little taut. Turn hand wheel 102 toward you until the needle moves down and up again and the take-up lever is up. Pull the bobbin thread out of the needle hole and lay both threads toward the left and back under the sewing foot.



Presser bar lifter

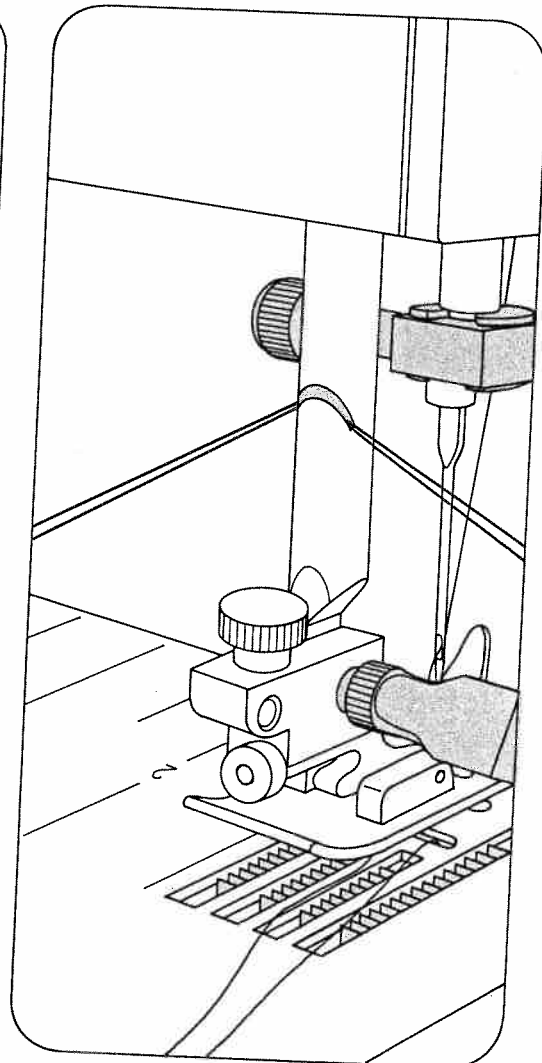
Lever 115 has four positions:

- N = The sewing foot is raised. (Before you remove the work, turn the hand wheel toward you to raise the needle and the take-up lever.)
- O = The sewing foot is raised further for inserting extra-thick materials.
- P = Darning position for darning foot only. Lower the presser bar lifter and at the same time push it back slightly until it enters notch R at the bottom of its slot.
- Q = The sewing foot is lowered for sewing.



Thread cutter

The thread cutter is an oblique slot located at the back of the presser bar. Raise the sewing foot. Pull the work out of the machine toward the back. Draw the threads into the cutter slot and pull them downwards to cut them.



Upper tension 112

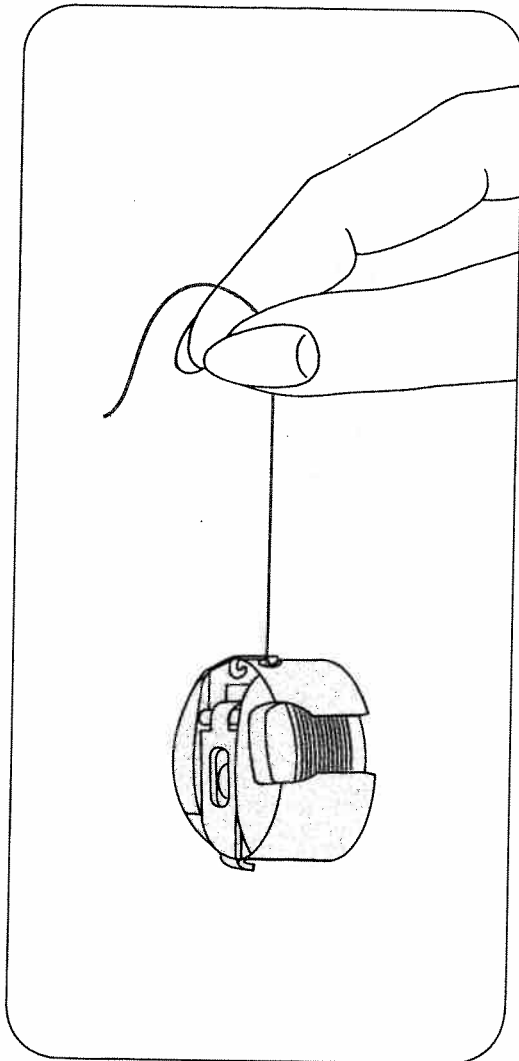
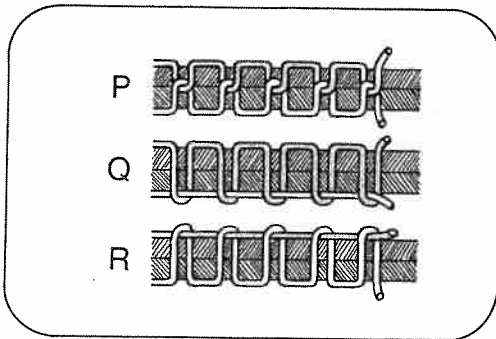
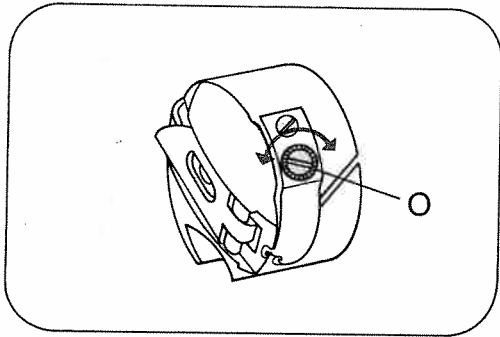
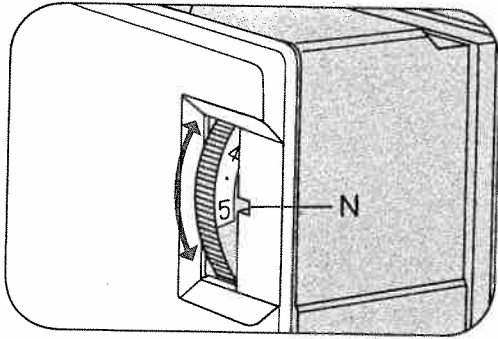
N = Setting mark. The normal tension setting is in the white range between 3 and 5. The higher the number, the tighter the tension.

Lower tension

- O = Regulating screw. Turn it left for a looser tension, or right for a tighter tension.
- P = Both tensions are correct.
- Q = Upper tension too loose or lower tension too tight.
- R = Lower tension too loose or upper tension too tight.

The correct lower tension

Let the bobbin case with a full bobbin hang down freely by the thread. It must not slide down by its own weight, but should gradually move downwards when you jerk your hand upwards lightly. Once the lower tension has been set correctly, only the upper thread tension should be adjusted.



Regulating the stitch length

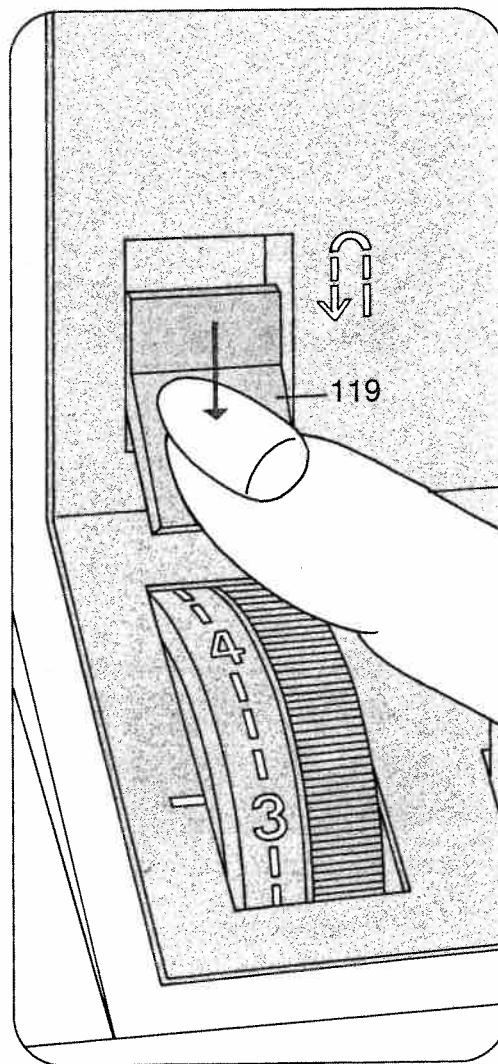
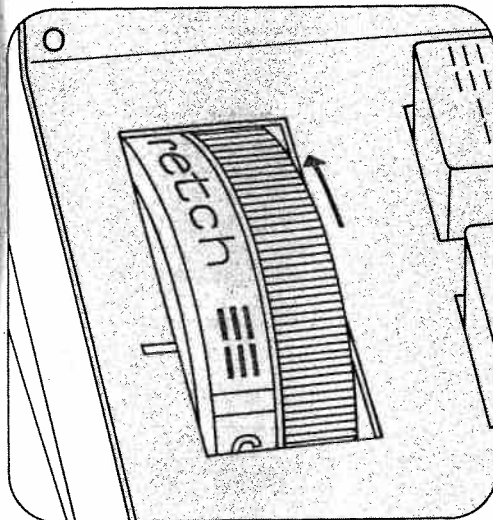
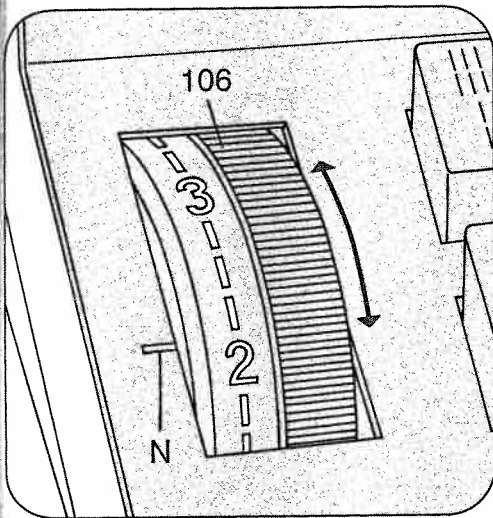
The numbers on stitch length control 106 indicate the stitch length in millimeters. On Models 1014 and 1015 the stitch length ranges from 0 to 4 mm, on Models 1019 to 1037 from 0 to 6 mm.

Turn the control so that the number indicating the stitch length chosen is opposite mark N.

Fig. O shows how to set the stitch length control for sewing stretch stitches (red stitch symbols on push buttons).

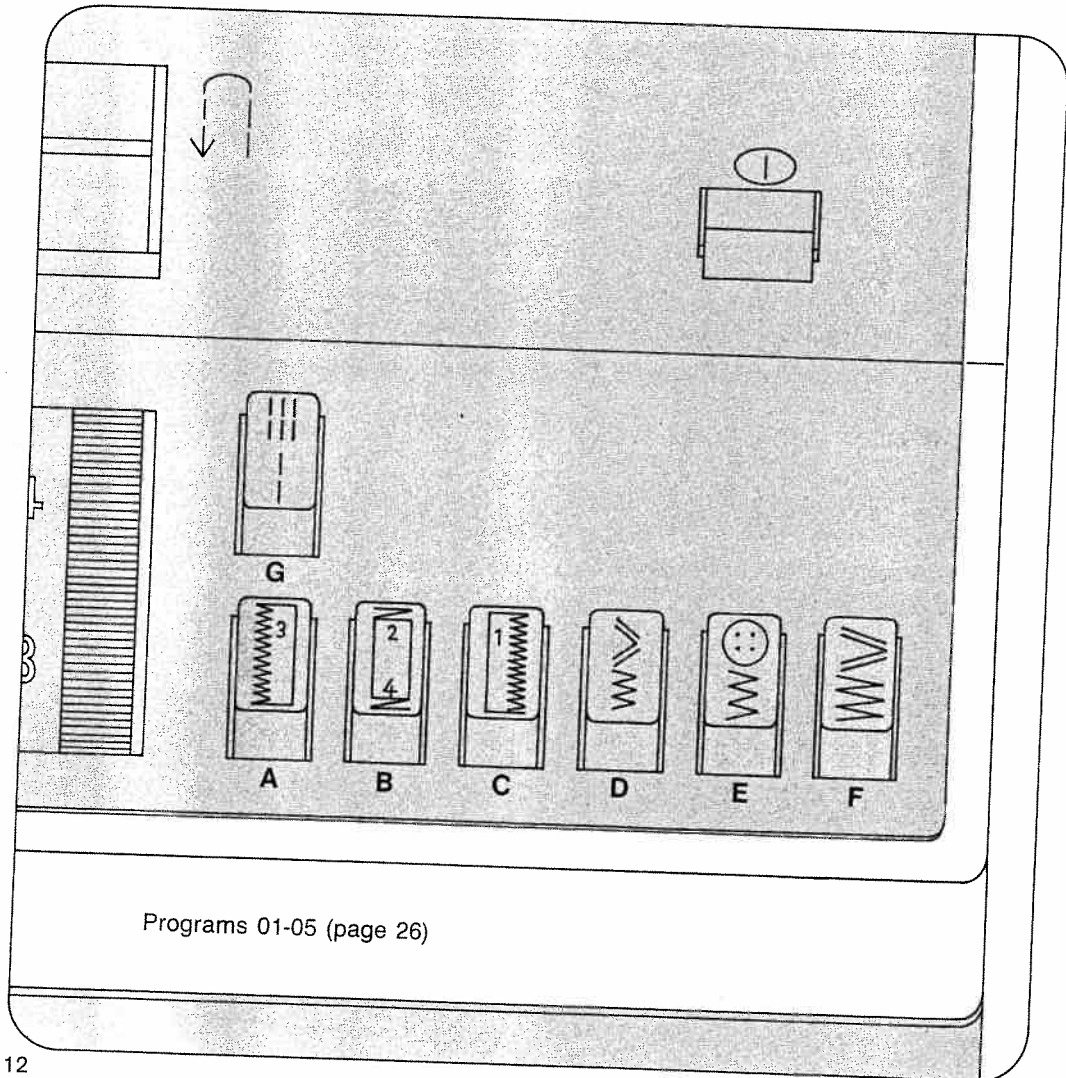
Reverse sewing

Press button 119. As long as you keep this button depressed, the machine sews backwards.



Finger-tip controls on Models 1014 and 1015

- A, B, C; Buttons for buttonholing
- Button B is also used as clearing button for releasing the pushed buttons and for setting the left needle position (see page 17).
- D Elastic triple zigzag stitch, 2 mm
- E Elastic triple zigzag stitch, 3.5 mm
- F Elastic triple zigzag stitch, 5.0 mm
- G Elastic triple straight stitch
- Straight stitch



Finger-tip controls on Model 1019

A, B, C; Buttons for buttonholing

Button B is also used as clearing button for releasing the pushed buttons and for setting the left needle position (see page 17).

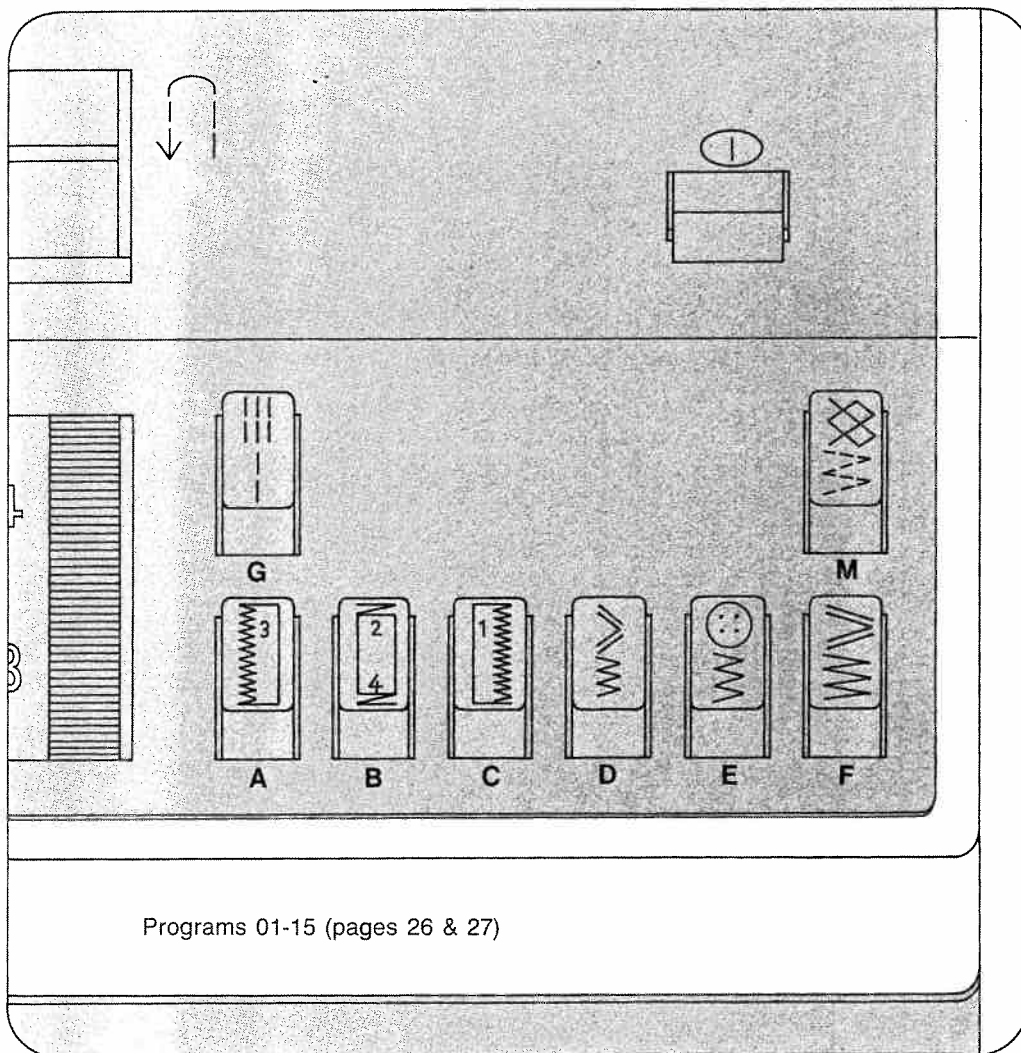
D Elastic triple zigzag stitch, 2 mm
2-mm zigzag stitch

E Elastic triple zigzag stitch, 3.5 mm
3.5-mm zigzag stitch

F Elastic triple zigzag stitch, 5 mm
5-mm zigzag stitch

G Elastic triple straight stitch
Straight stitch

M Honeycomb stitch
Elastic stitch



Finger-tip controls on Model 1035

A, B, C; Buttons for buttonholing
Button B is also used as clearing button for releasing the pushed buttons and for setting the left needle position (see page 17).

D Elastic triple zigzag stitch, 2 mm
2-mm zigzag stitch

E Elastic triple zigzag stitch, 3.5 mm
3.5-mm zigzag stitch

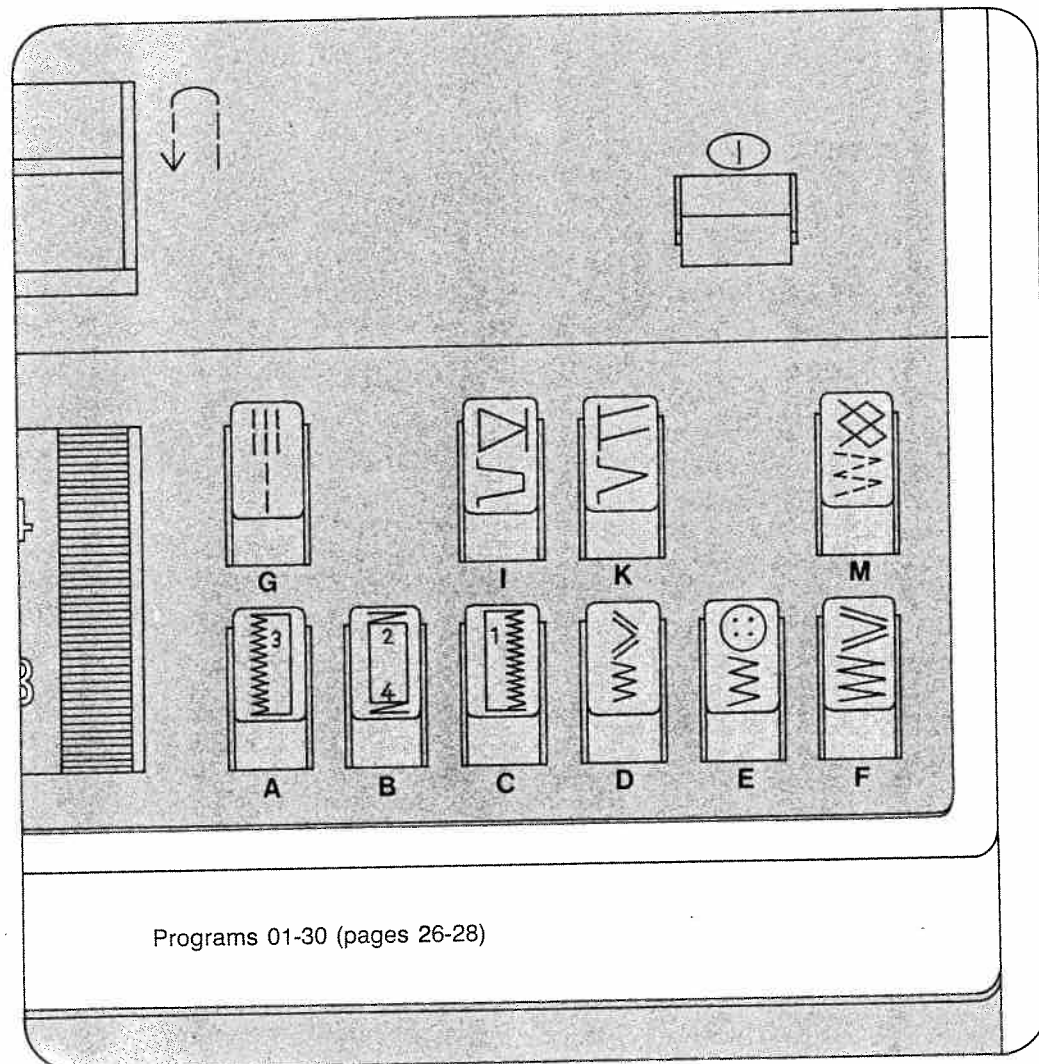
F Elastic triple zigzag stitch, 5 mm
5-mm zigzag stitch

G Elastic triple straight stitch
Straight stitch

I Closed overlock stitch
Joining stitch

K Overlock stitch
Shell-edge stitch

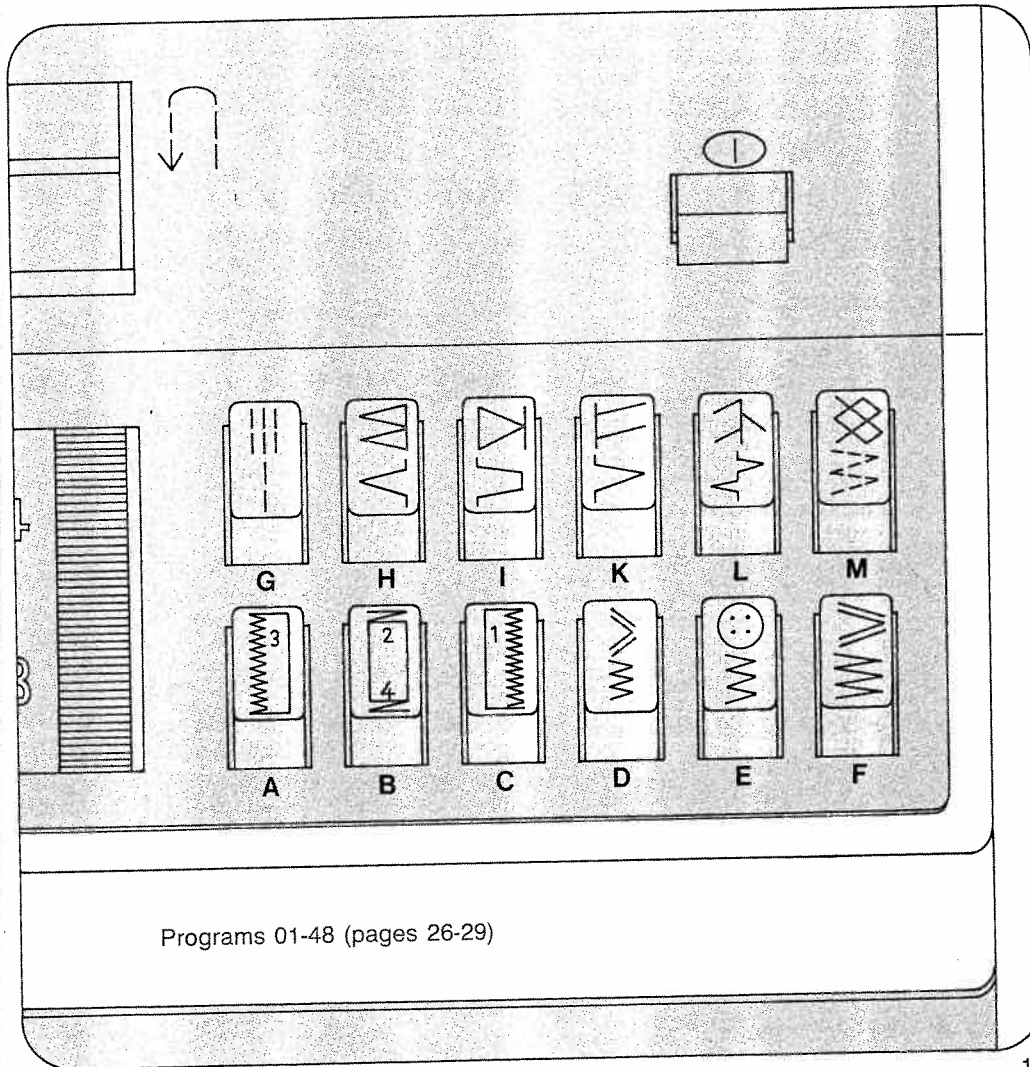
M Honeycomb stitch
Elastic stitch



Finger-tip controls on Model 1037

- A, B, C; Buttons for buttonholing
- Button B is also used as clearing button for releasing the pushed buttons and for setting the left needle position (see page 17).
- D Elastic triple zigzag stitch, 2 mm zigzag stitch
- E Elastic triple zigzag stitch, 3.5 mm 3.5-mm zigzag stitch
- F Elastic triple zigzag stitch, 5 mm 5-mm zigzag stitch
- G Elastic triple straight stitch
- Straight stitch

- H Pullover stitch
- Blindstitch
- I Closed overlock stitch
- Joining stitch
- K Overlock stitch
- Shell-edge stitch
- L Feather stitch
- Elastic decorative stitch
- M Honeycomb stitch
- Elastic stitch



Selecting utility stitches

(white symbols)

Push the desired button and turn the stitch length control to the number indicating the desired stitch length between 1 and 4 or 1 and 6.

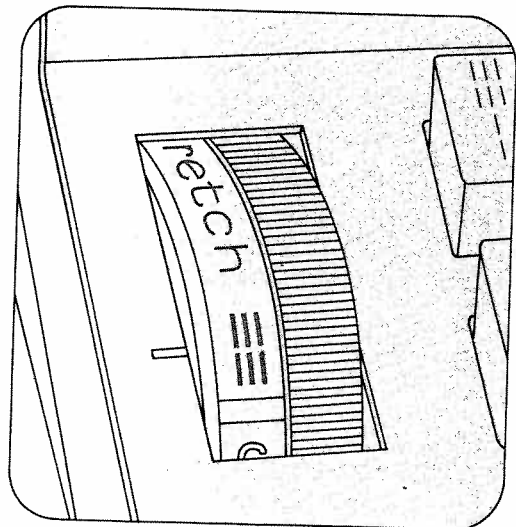
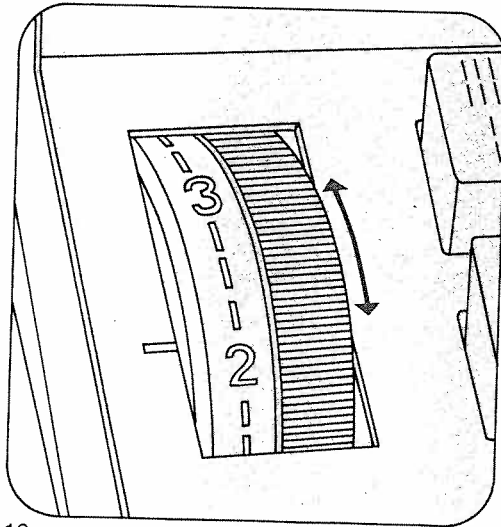
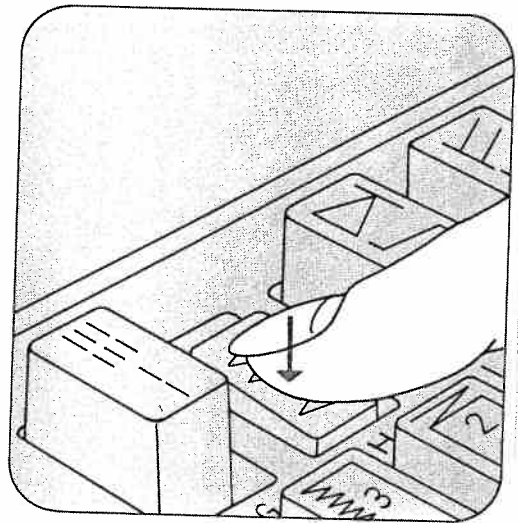
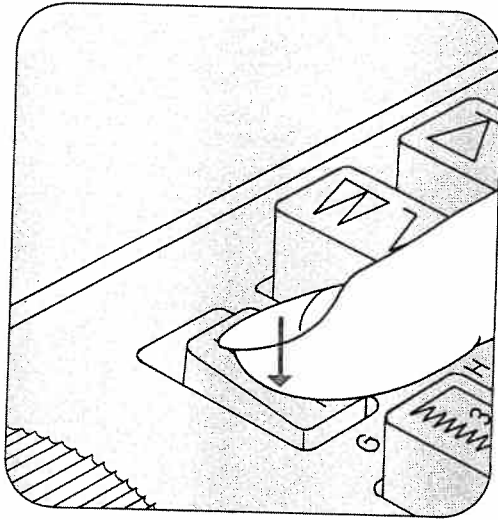
All zigzag, utility and stretch stitches are halved in width when button G is pressed too.

All stitches and stitch combinations are listed in the stitch program chart on pages 26-29. This chart also contains possible applications.

Selecting stretch stitches

(red symbols)

Push the desired button and turn the stitch length control as far as it will go (red symbol).



Utility-and- stretch-stitch combinations

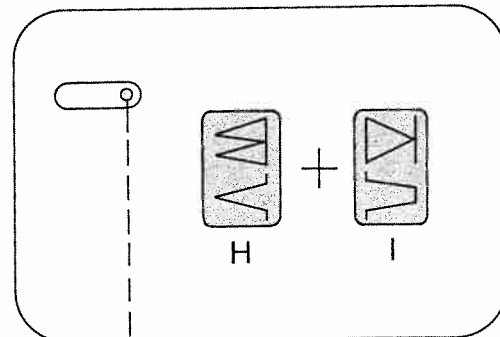
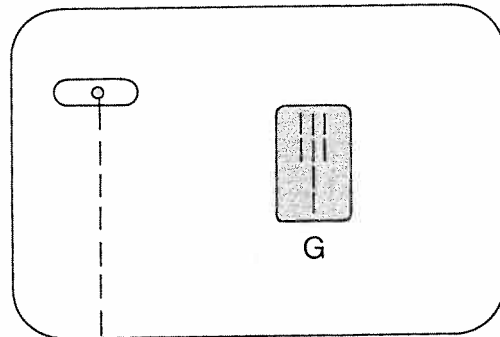
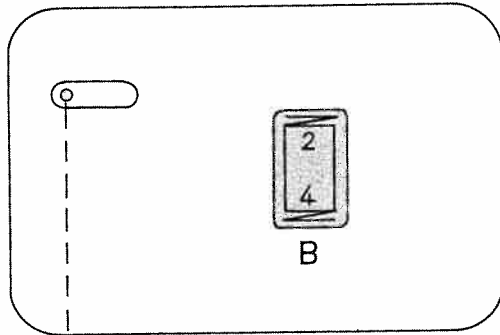
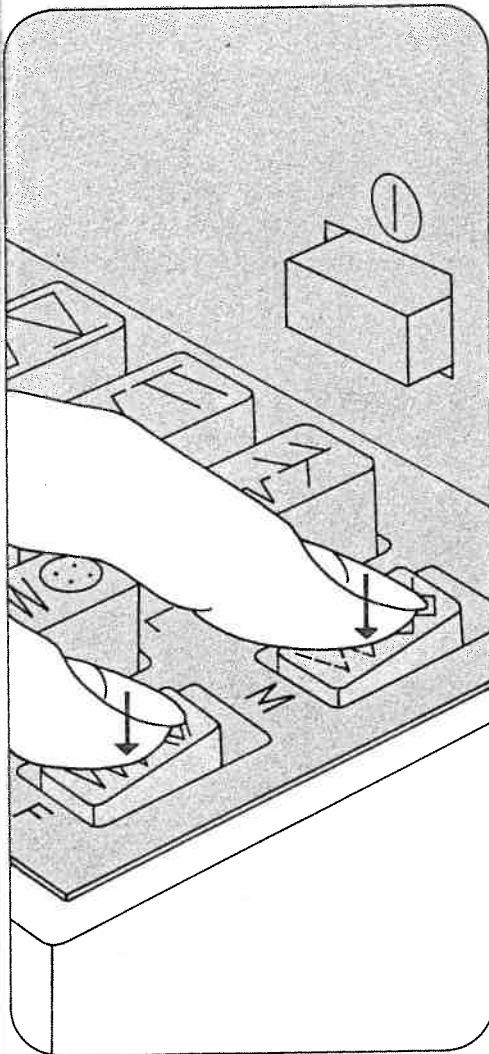
The various stitch combinations are shown in the chart and at the end of this booklet, together with sewing instructions. For example, if you want to sew an elastic blindstitch, push buttons M and F, select a stitch length between 1 and 4.

Selecting the needle position for straight stitching

Left needle position: push button B.

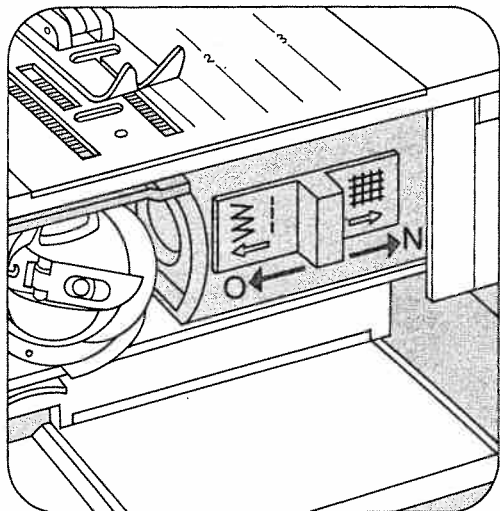
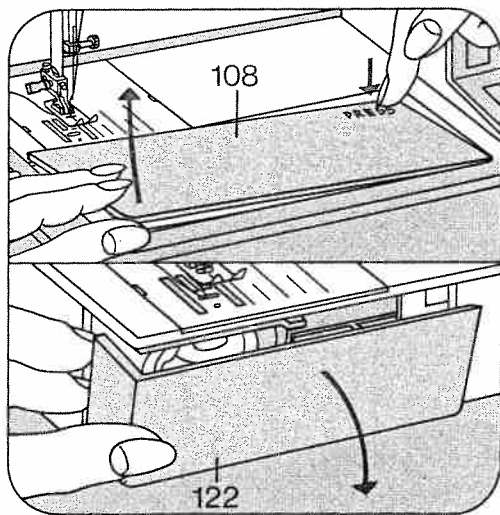
Central needle position: push button G.

Right needle position (on Model 1037): push buttons H and I.



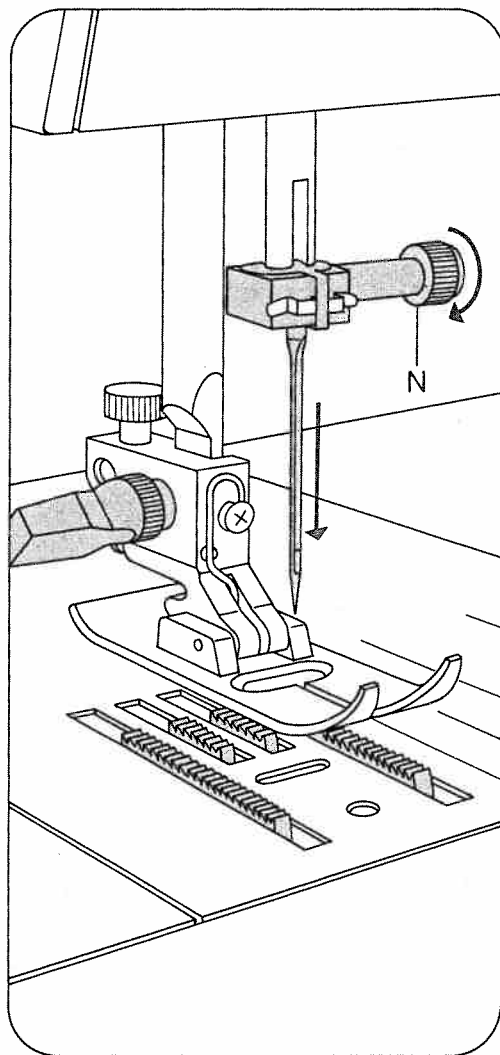
Dropping the machine feed

Remove cover 108 or free arm cover 122.
Open free arm cover 122. Push the drop-feed control toward N. The feed dog is dropped for embroidering, darning, basting etc.
For sewing, push the drop-feed control toward O.
Replace cover 108 or close free arm cover 122.



Changing the needle

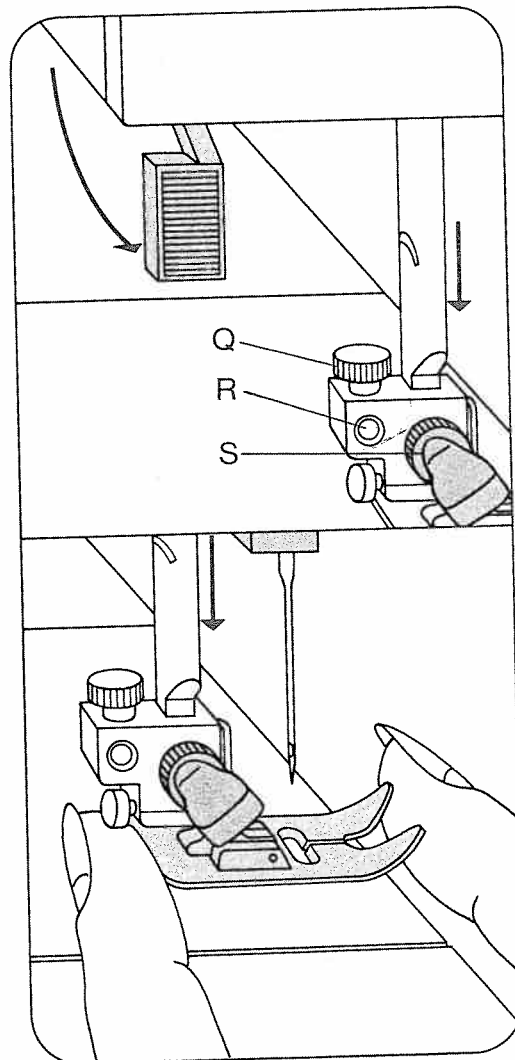
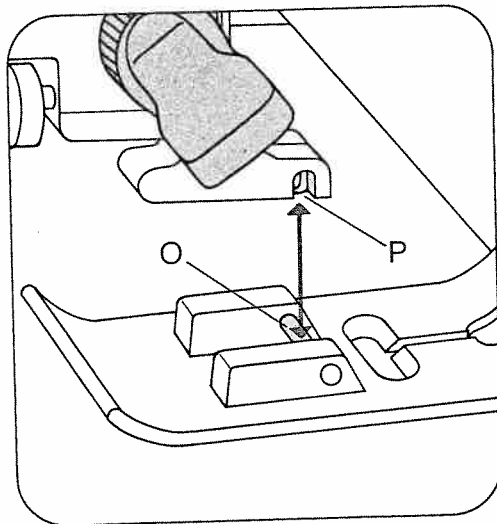
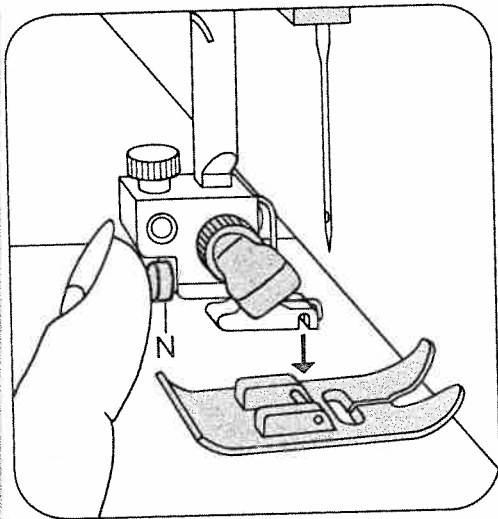
Raise the needle bar. Then hold the needle, loosen screw N and pull the needle out downwards. Insert a new System 130/705 H needle (with the flat side of its shank facing toward the back) and push it up as far as it will go. Then tighten screw N.
Twin needles with a needle distance of 1.4 mm may be used for zigzag and utility-stitch sewing.



Changing the sewing foot

To release the sewing foot push the red button N. When attaching a sewing foot make sure stud O enters slot P. Place the sewing foot under the sewing foot holder and hold it in place with your left hand.

Lower presser bar lifter 115 and at the same time reposition the sewing foot so that stud O fits in slot P. Hole R and screw Q are used for attaching an edge guide and the darning foot. Screw S serves to secure the sewing foot holder on the presser bar.

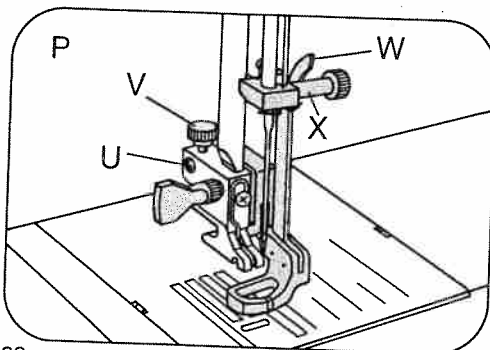
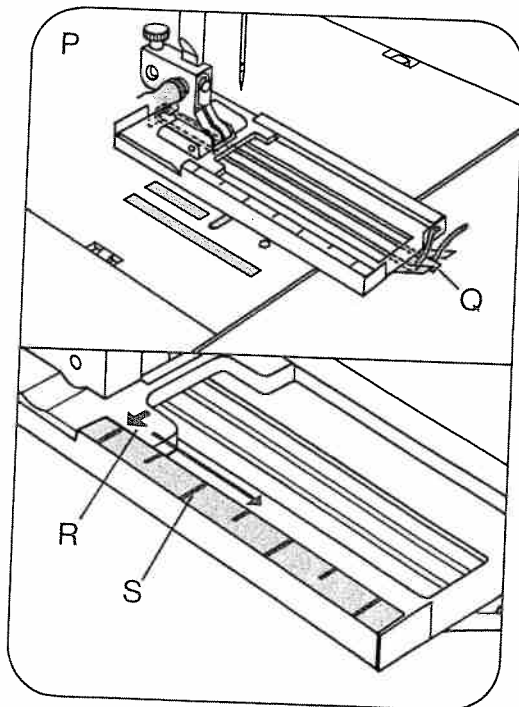
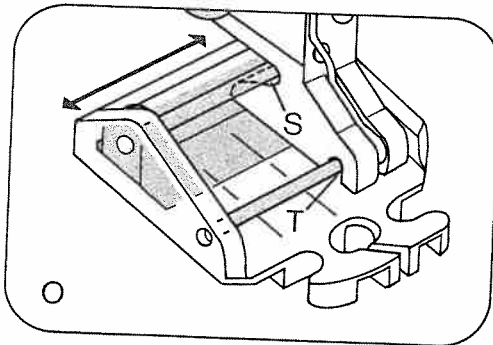
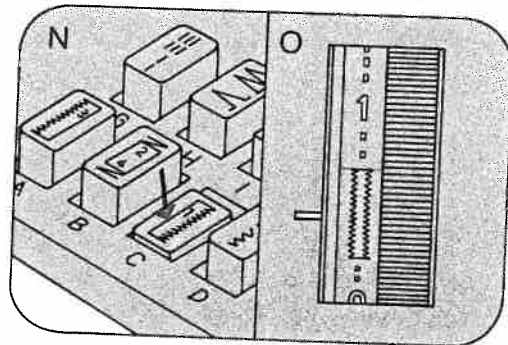
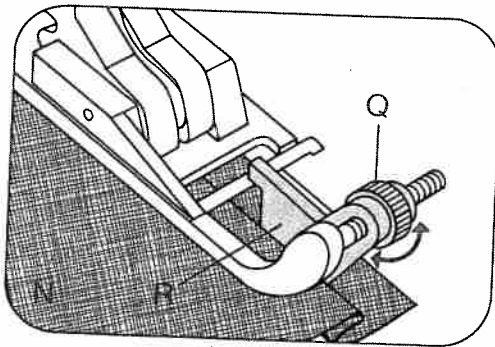


Special sewing feet

- N Blindstitch foot. Blindstitch guide R is adjusted by turning screw Q.
- O Zipper foot. First insert its rear pin into groove S then push its front pin into groove T. The zipper foot can be adjusted sideways for stitching along the right or left zipper chain.
- P Darning foot. Raise the needle bar. Push bracket W toward the back and hold it there. Insert the pin of the foot in hole U and attach the foot so that it rests against its stop. Release bracket W so that it bears against screw X. Tighten screw V.

Buttonhole settings

Regulate the stitch density in the buttonhole range of the stitch length control (O). Press button C (N). Attach the buttonhole foot. Set the upper tension at 3 in the buttonhole range. Insert the filler cord as follows (P): Place it over the rear lug of the foot, pull it taut and clamp it in front lug Q. As you sew, arrow R moves along scale S. This serves to determine the buttonhole length. Use a thin thread for sewing buttonholes.

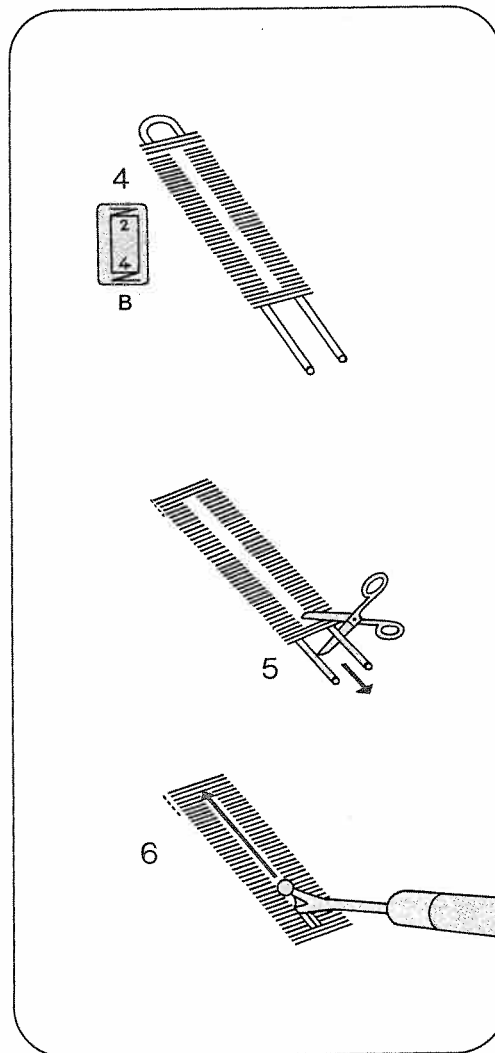
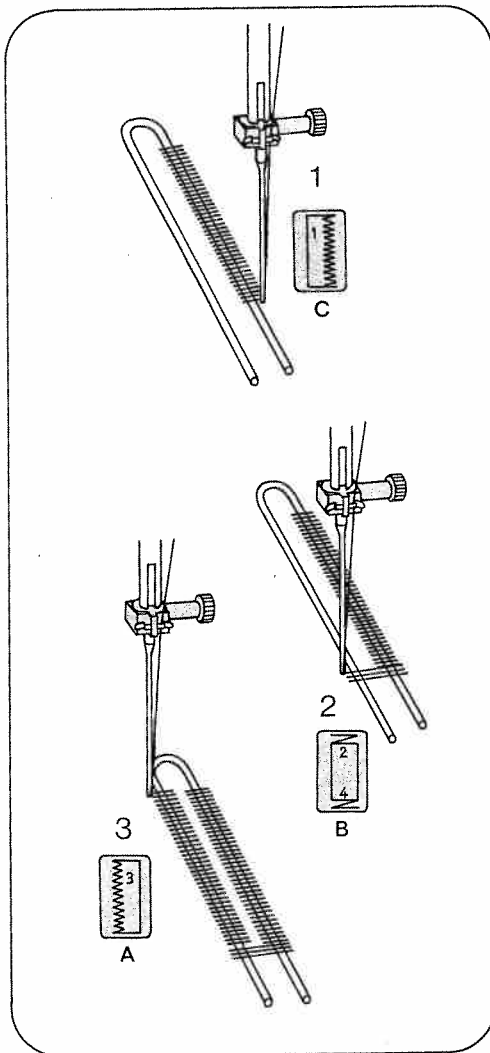


Sewing buttonholes

Pull the bottom of the buttonhole foot forward as far as it will go.

- 1 Sew first buttonhole seam. Raise the needle.
- 2 Push button B and keep it depressed until the machine has sewn 4 to 6 bartacking stitches. Raise the needle. Then release the button.
- 3 Push button A. Sew the second buttonhole seam the same length as the first. Raise the needle.

- 4 Push button B and keep it depressed until the machine has sewn 4 to 6 bartacking stitches. Raise the needle. Then release the button.
- 5 Sew a few tying stitches. Remove the fabric, pull the filler cord taut and trim.
- 6 Cut the buttonhole open.



Changing the light bulb

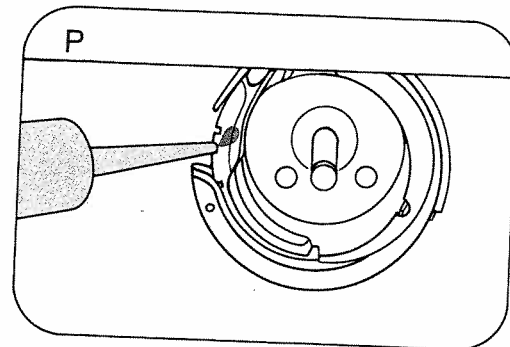
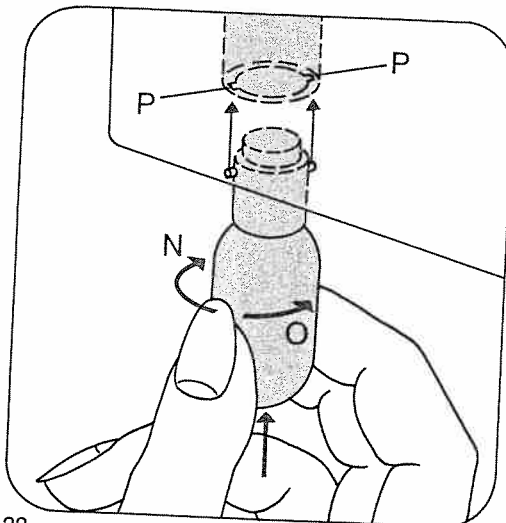
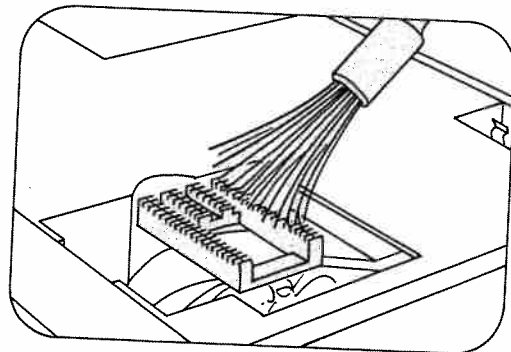
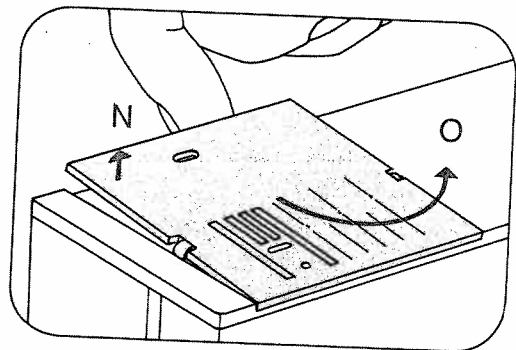
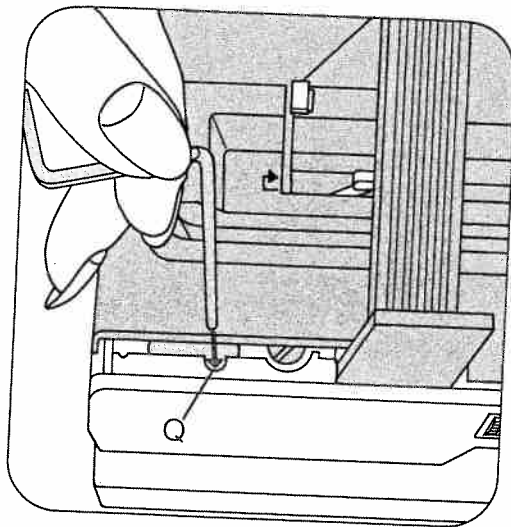
Switch off the machine and pull out the power cord plug. Close the hinged top cover and swing up the carrying handle. Take the edge guide out of the accessory box and insert it into the slot between face cover and housing and into cutout Q in the machine. Push the lamp housing down with the edge guide and hold it there. The light bulb can now be exchanged. Push the light bulb up, turn it toward N and take it out. Insert the new bulb so that its pins slide in slots P. Push it up and turn it toward O.

Let the lamp housing resume its original position and pull out the edge guide.

Cleaning and oiling

Tilt needle plate 117 up at the back (N) and take it out (O). Clean the machine feed and the parts in the vicinity of the sewing hook with a soft brush.

Do not oil the machine because it requires no maintenance. All you have to do is put a drop of oil in the hook raceway now and then, as shown in the illustration below.



Special accessories

The special accessories listed below are intended for special sewing jobs. They can be obtained from your dealer.

Accessory	Part No.	Sewing Operation
Appliqué foot	93-035 920-91	For appliqué work
Cording set consisting of:		
Cording foot, 5 grooves (twin needle with 1.8–2.5 mm needle gauge)	93-035 950-91	For cording work (Needle size 80, for fine cording needle size 70)
Cording foot, 7 grooves (twin needle with 1.4–1.8 mm needle gauge)	93-035 953-91	
Cording blade (2 ea.)	93-035 952-45	
Fringe sewing foot	93-035 943-91	For sewing fringes and for basting
Straight-stitch foot	98-694 803-00	For topstitching and sewing very delicate and soft fabrics (silk jersey, etc.)
Felling foot, 4.5 mm		For felled seams
Felling foot, 6.5 mm		
Shirring foot	93-035 998-91	For shirring valances
Single-needle cording foot	93-035 915-91	For single-needle cording
Eyeletting plate	93-035 946-45	For eyeletting
Overlock foot	98-620 404-00	For finishing raw edges or for joining elastic fabrics and simultaneously overcasting their edges
Hemmer foot (rolled edge), 2 mm	98-694 804-00	For hemming edges with zigzag stitches
Teflon foot	98-694 801-00	For sewing plastic materials

Trouble shooting

Cause:

1. Machine skips stitches

Needle not inserted correctly.

Wrong needle used.

Needle bent or blunt.

Machine threaded improperly.

Needle too thin for thread used.

2. Needle thread breaks

For any of above reasons.

Thread tension too strong.

Poor-quality or knotty thread used, or thread that has become too dry by excessive storage.

3. Needle breaks

Needle not pushed up as far as it will go.

Needle bent.

Needle too thin or too thick.

Needle bent and strikes needle plate because work is pushed or pulled.

Bobbin case improperly inserted.

Remedy:

Push needle up as far as it will go, its flat shank side facing toward the back.

Insert system 130/705 H¹ needle.

Insert new needle.

Check threading.

Select needle according to Needle and Thread Chart.

See par. 1 above.

Regulate thread tensions.

Used only good-quality thread.

Insert new needle and push it up as far as it will go.

Insert new needle.

See Needle and Thread Chart.

Let machine feed the work alone.

Only guide the material lightly.

When inserting the bobbin case, push it in as far as it will go.

Cause:

Remedy:

4. Seam is not uniform

Tension out of adjustment.

Thread too thick, knotty or hard.

Bobbin thread wound unevenly.

Kinks appear on top and bottom of material.

Check upper and lower tensions.

Use first-class thread only.

During bobbin winding, do not hold thread in hand, but pass it through the bobbin tension stud.

Thread machine properly and check both tensions.

5. Machine feeds irregularly or not at all

Lint has accumulated between tooth rows of feed dog.

Feed dog dropped. (Drop-feed control is at right.)

Remove needle plate and clean out lint.

Flick drop-feed control to the left.

6. Machine runs with difficulty

Thread ends in hook raceway.

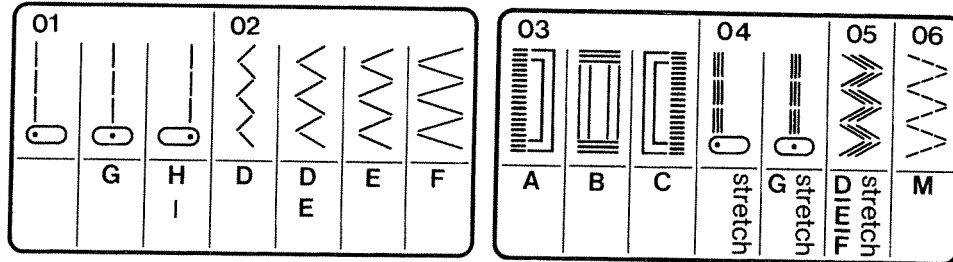
Remove thread ends and put a drop of oil into hook raceway.

7. Fundamental rules

Never run a threaded machine unless there is a piece of fabric under the sewing foot. If you have to leave the machine, even for a short while, be sure to switch off the master switch. This is particularly important when children are around.

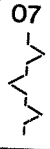





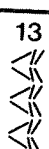
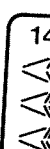
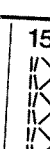
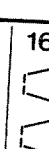
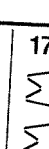
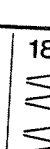
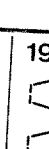
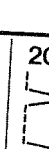
Stitch program chart

Listed in this chart are the stitch program number, the corresponding stitch and, in the lower half, the buttons to be pressed to sew this seam pattern. For all stitch programs marked "stretch", turn the stitch length control toward "stretch" as far as it will go.



No.	Stitch	Application
01	Straight stitch	All ordinary sewing operations and 6-mm fancy stitching operations on Models 1019-1037.
02	Zigzag stitch	Edge finishing, appliqué work, inserting lace, button sewing and satin stitching, embroidering, darning etc.
03	Buttonholes	Buttonholes without turning the fabric. Just push the buttons and the buttonhole is finished. The stitch density can be regulated.
04	Elastic triple straight stitch	Seams exposed to great stress which stretch under stress.
05	Elastic triple zigzag stitch	Flat, elastic reinforcing seams, as well as sewing and mending corsetry.
06	Elastic stitch	Inserting patches and darning rips on elastic fabrics.
07	Elastic ornamental stitch * 1019/1035 M+D	Inserting patches and darning rips on elastic materials or sewing ornamental seams on elastic fabrics.
08	Crown stitch	An ornamental seam, e. g. on night gowns.
09	Elastic blindstitch	Hemming elastic fabrics with invisible stitches.
10	Scallop stitch	For decorating handkerchiefs, for instance.




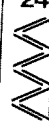







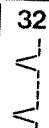


For all other programs, select the stitch length as desired. The individual stitch programs and their application are described in more detail in the table below.

07	08	09	10	11	12	13	14	15	16	17	18	19	20
													
L *	M E	M F	M G	M stretch	M D stretch	M E stretch	M F stretch	M G stretch	-	I D	I F	I G	K

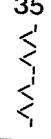



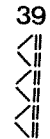
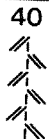



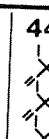
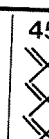


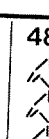
No.	Stitch	Application
11	Honeycomb stitch	Sewing on elastic threads or covering seams on terry cloth.
12	Joint stitch	A durable ornamental joining seam.
13	Florentine stitch, narrow	For decorating hems, e. g. on bed linen.
14	Florentine stitch, wide	Ornamental seams, e. g. on bed linen.
15	Houndstooth stitch	Ornamental seams, e. g. on table linen.
16	Lampshade stitch, wide	Classical ornamental seam on all plain fabrics.
17	Viennese stitch, narrow	Ornamental seams, e. g. on napkins.
18	Viennese stitch, wide	Ornamental seams, e. g. on table cloths.
19	Lampshade stitch, narrow	Classical ornamental seam on plain fabrics.
20	Shell-edge stitch, wide	Effective edge finish on dainty fabrics.

Sewing machine models and stitch programs:

1014 and 1015 from 01 to 05
 1019 from 01 to 15
 1035 from 01 to 30
 1037 from 01 to 48

													
K D	K G	I stretch	I stretch	I G stretch	I K stretch	K stretch	K D stretch	G K stretch	K M stretch	H	H D	L C	L D

No.	Stitch	Application
21	Elastic edge stitch	Finishing edges that do not fray much.
22	Shell-edge stitch, narrow	Ornamental seams, e. g. on girls' dresses.
23	Closed overlock stitch, wide	Covering folded fabric edges with a fancy seam.
24	Pennant stitch	Decorative joining seam and sewing on borders.
25	Closed overlock stitch, narrow	Sewing on dainty lace.
26	Turkish stitch	Topstitching patches.
27	Overlock stitch, wide	Elastic assembly and edge finishing seams on knitted fabrics.
28	Peacock stitch	Festive ornamental seam, e. g. on table linen.
29	Overlock stitch, narrow	Dainty border ornamentation.
30	Knurl stitch	Ornamental seam on light clothing.
31	Blindstitch, wide	Hemming heavier fabrics with invisible stitches.
32	Blindstitch, narrow	Hemming lightweight fabrics with invisible stitches.
33	Peak stitch	A dainty ornamental seam, e. g. on ladies' handkerchiefs.
34	Mound stitch	Ornamental seam, e. g. on children's napkins.

35	36	37	38	39	40	41	42	43	44	45	46	47	48
													
F	I	H stretch	H D stretch	H G stretch	L stretch	L D stretch	L F stretch	L stretch	L K stretch	L D stretch	L E stretch	L G stretch	L M stretch

No.	Stitch	Application
35	Viennese stitch, narrow	Ornamental seams, e. g. on table linen.
36	Lampshade stitch, narrow	Classical ornamental seam on plain fabrics.
37	Pullover stitch, wide	Elastic edge finishing seams on jersey fabrics.
38	Pullover stitch, medium	Elastic edge finishing seams on polo shirt fabrics.
39	Pullover stitch, narrow	Elastic edge finishing seams on lightweight jersey crepe.
40	Feather stitch	Decorative cover seams, e. g. on aprons.
41	Dutch stitch	Ornamental seam, e. g. on kitchen textiles.
42	Snail stitch	Ornamental seam, e. g. for bath room utensils.
43	Loom stitch	Ornamental seam, e. g. for country-look dresses.
44	Diagonal stitch	Ornamental seam, e. g. for plain-look, modern dresses.
45	Trellis stitch	Ornamental seam, e. g. for airy ladies' dresses.
46	Twig stitch	Ornamental seam, e. g. for hiking wear.
47	Border stitch	Ornamental seam, e. g. for border ornamentations on pockets.
48	Triangular stitch	Ornamental seam, e. g. for children's night dresses.

PFAFF-HANDELSGESELLSCHAFT
für Haushaltsnämaschinen m.b.H.
7500 Karlsruhe 41 · West-Germany

Subject to alterations
in design.
No. 22 706 1082