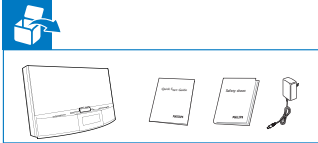




## Quick Start Guide



**PHILIPS**



Before using your product, read all accompanying safety information.\*1

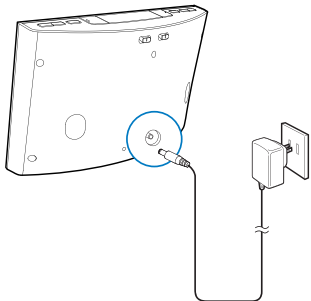
### System requirements

For Android system (version 2.1 or above)  
 Bluetooth 2.1 or above  
 Micro USB connector

**Note:** If the micro USB connector is located at the top, screen auto-rotation is available for Android 2.3 or above.

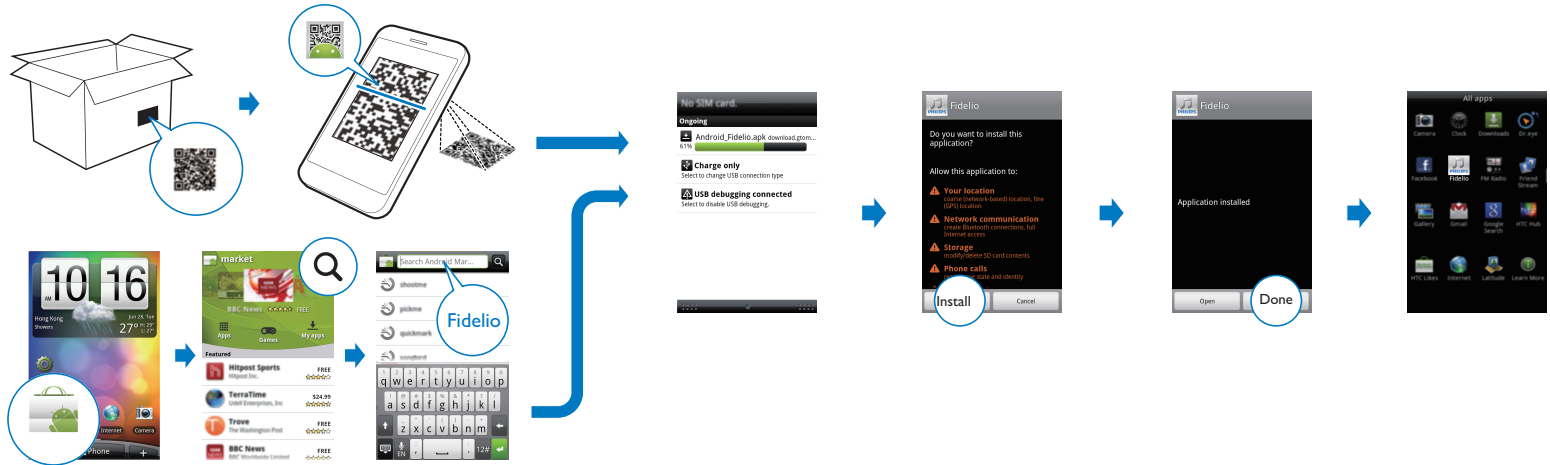
Visit [www.philips.com/FlexiDock](http://www.philips.com/FlexiDock) for more details.\*2

To get the detailed instructions for use, visit [www.philips.com/welcome](http://www.philips.com/welcome).\*3

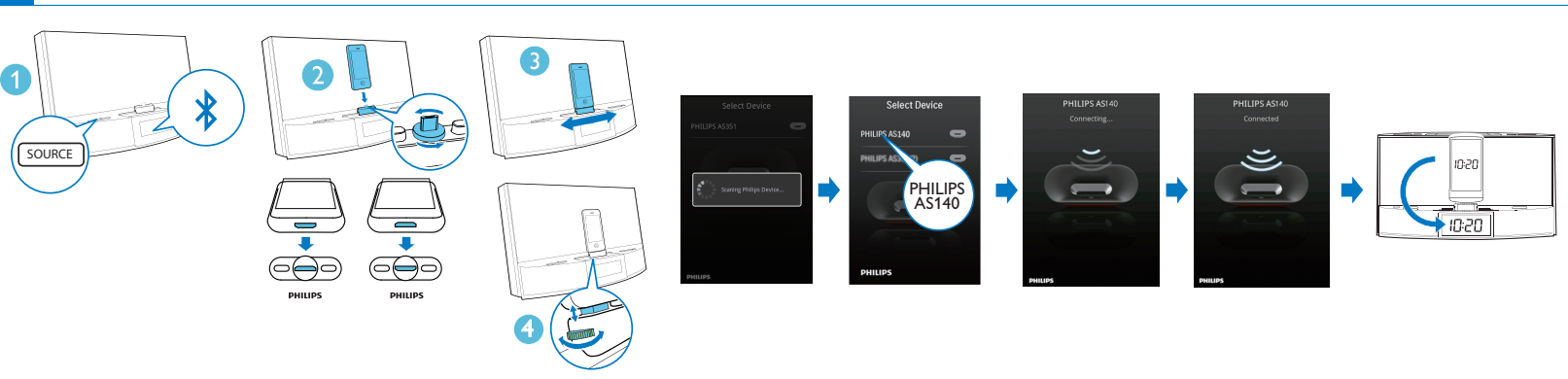


## 2 Install Fidelio

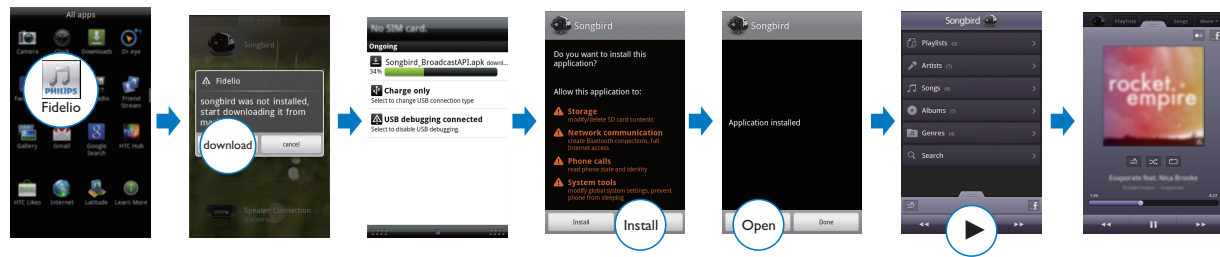
To play/manage audio files with "Fidelio", you need to scan the QR code or go to Android Market and search "Fidelio". Then, download and install the software.\*4



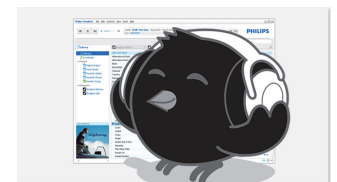
## 3 Dock Android phone onto the device\*5



## 4 Install Songbird on Android phone\*6



## 5 Install Songbird on computer



Install free Songbird to your PC to synchronize music from PC to your Android phone.

To download and install Songbird on your computer, visit [www.philips.com/songbird](http://www.philips.com/songbird).\*7