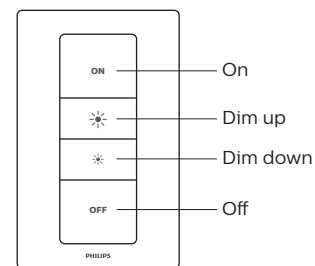
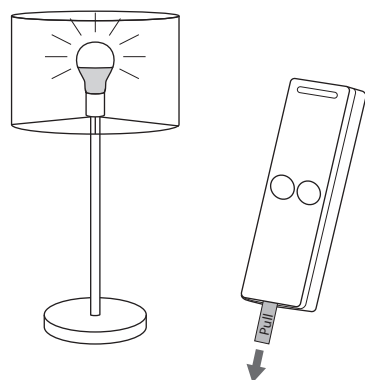


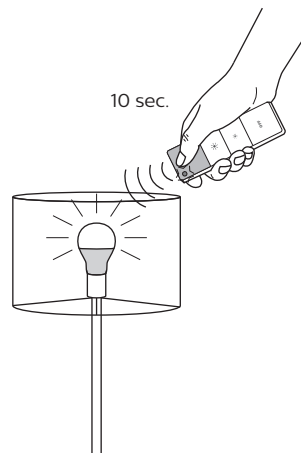
EN The 4 buttons of the switch; On, Dim up, Dim down, Off



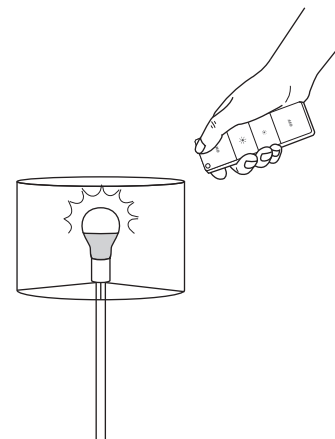
1 Power your Hue white and turn on your wall light switch
 2 Pull of the lid sticking out the battery compartment to use the switch



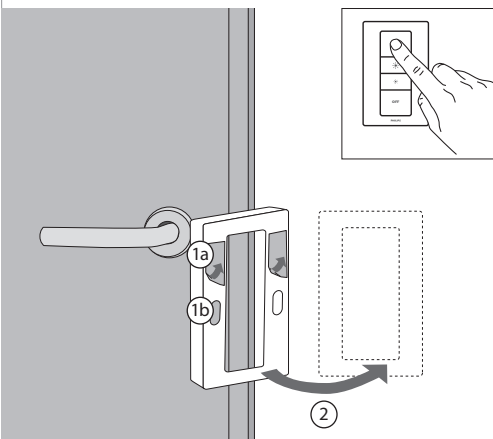
3 Hold the switch close to the light, press and hold the "I" button for 10 seconds



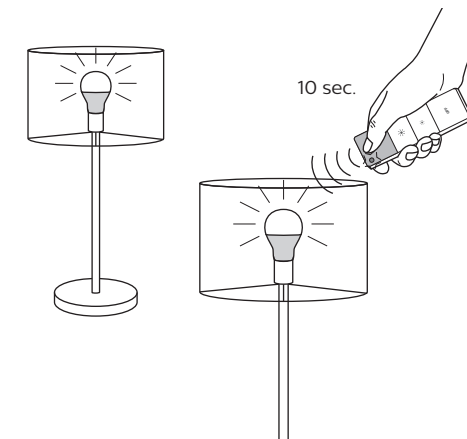
4 Release the "I" button after the light has flashed



Optional Mount the switch on any wall you like by adhesive tape (1a) or screws (1b)



Optional You can sync upto 10 Hue White bulbs with your Hue Dimmer switch



EN If you have already have installed a **Hue Bridge** you can configure your dimmer switch and Hue White bulb in the Hue app.

Make sure you have the latest update, then open the Philips Hue app. In the side menu, go to:
 > Settings
 > My Devices
 > Connect new devices
 > Switches
 And follow the instructions.

FR Xxxx

FR Xxxx
 xx
 xx

Xxxxx
 X
 x

X
 X
 x

X
 X
 X

X
 X
 X

X
 X
 x

X
 X
 X

X
 X
 X

X
 X
 x

X
 X
 x

X
 X
 X

X
 X
 X

X
 X
 X

X
 X
 x

X
 X
 x

X
 X
 x

X
 X
 X

X
 X
 X

X
 X
 X