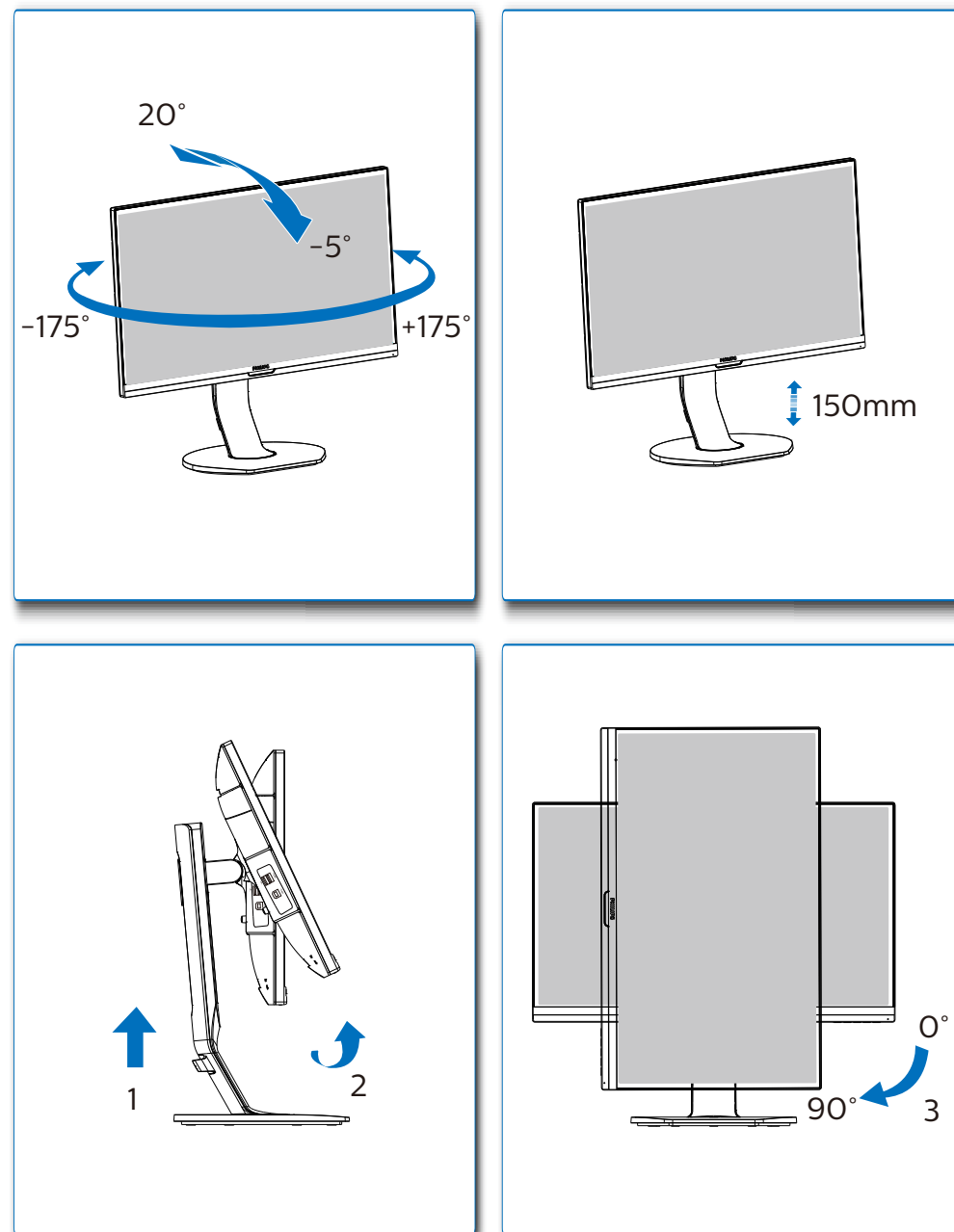


GRAPHIC DEVELOPMENT MMD	
Product name	
Project name	
Project no.	
Finishing	Folded sheet
Scale	1:1
Size Spreads	594 (W) x 210 (H) mm
Size	148.5 (W) x 210 (H) mm
Operator(s)	
Date amended	May. 18, 2016
VERSION No.	
APPROVAL	
QC Lithographer	
Product Manager	
Date Check	
ARTWORK DOCUMENT	
Paper	80gsm White, woodfree coated
Numbers of colours	2C&2C
Spotcolor	
Aftertreatment	
<input type="checkbox"/>	Cropping
<input type="checkbox"/>	Coating
<input type="checkbox"/>	Varnishing
<input type="checkbox"/>	Embossing
<input type="checkbox"/>	Cutterguide
<input type="checkbox"/>	Die-cut
<input type="checkbox"/>	Binding
<input type="checkbox"/>	Glue

4



EN Need help?

Online help: www.philips.com/support

SC 需要帮助?

在线帮助: www.philips.com/support

FR Besoin d'Aide ?
Aide en ligne: www.philips.com/support

UK Потребуєте допомоги?
Підтримка он-лайн: www.philips.com/support

ES ¿Necesita ayuda?
Ayuda en línea: www.philips.com/support

RU Нужна помощь?
Интерактивная справка:
www.philips.com/support

DE Benötigen Sie Hilfe?
Online-Hilfe: www.philips.com/support

TR Yardıma ihtiyacınız var mı?
Online yardım: www.philips.com/support

IT Avete bisogno di aiuto?
Guida in linea: www.philips.com/support

HI क्या सहायता की जरूरत है?
ऑनलाइन सहायता: www.philips.com/support

BR Precisa ajuda?
Ajuda online: www.philips.com/support

AR هل تريد المساعدة؟
www.philips.com/support للمساعدة عبر الانترنت

KO 도움이 필요하신가요?
온라인 도움말: www.philips.com/support

JP ヘルプが必要ですか?
オンラインヘルプ: www.philips.com/support

Version: M7241BTQ1L

© 2016 Koninklijke Philips N.V. All rights reserved.
Specifications are subject to change without notice.
Philips and the Philips Shield Emblem are registered trademarks of Koninklijke Philips N.V. and are used under license from Koninklijke Philips N.V.



Printed in China



F41G24M181312A----

www.philips.com

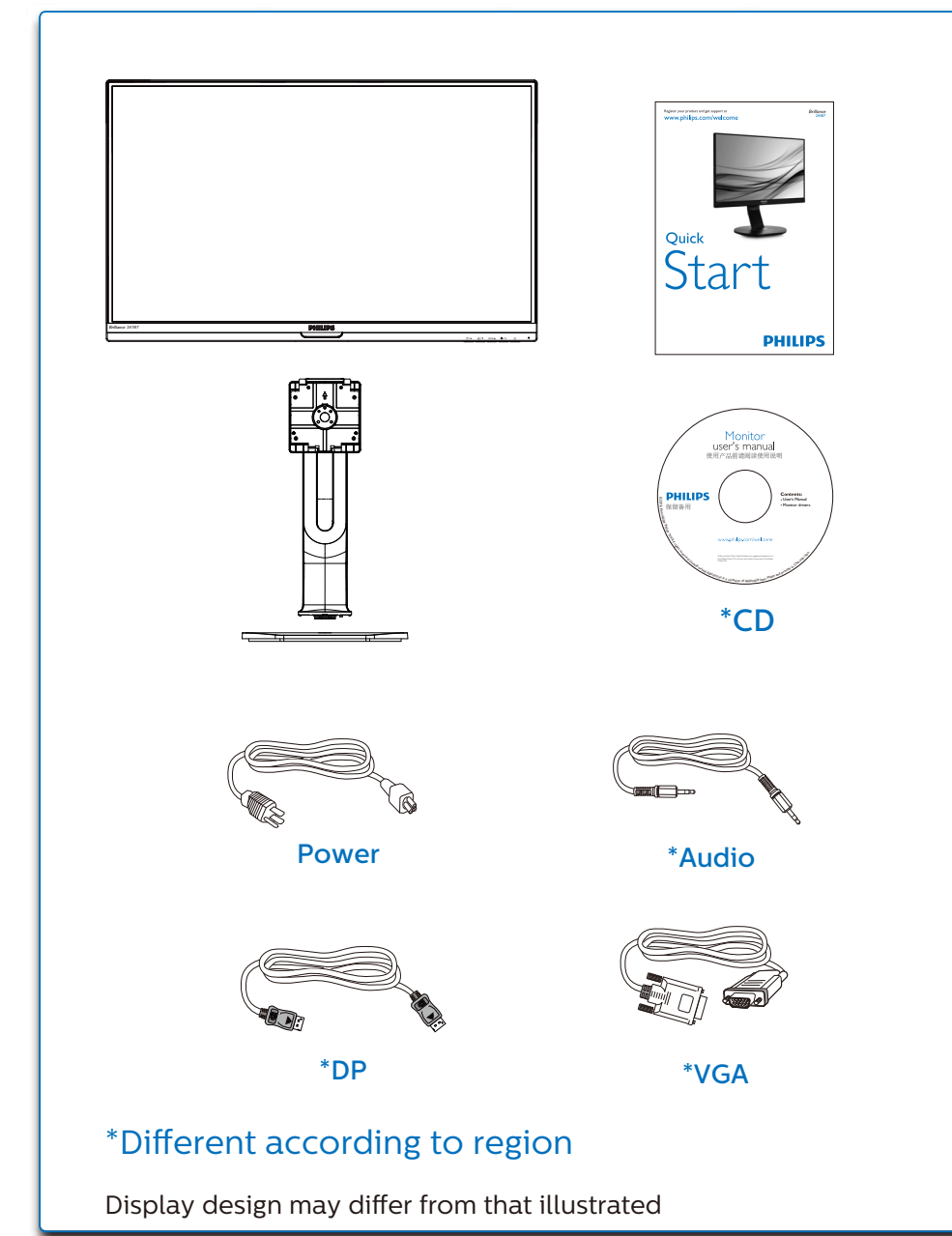
Register your product and get support at
www.philips.com/welcome

Brilliance
241B7



Quick Start

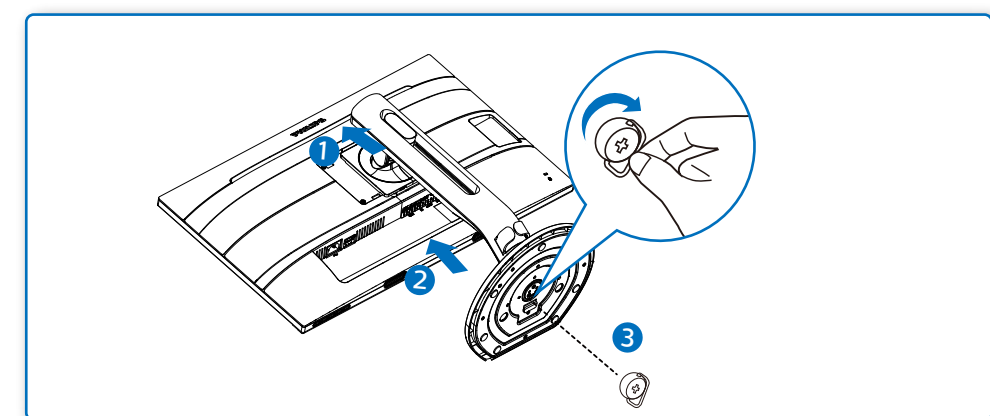
PHILIPS



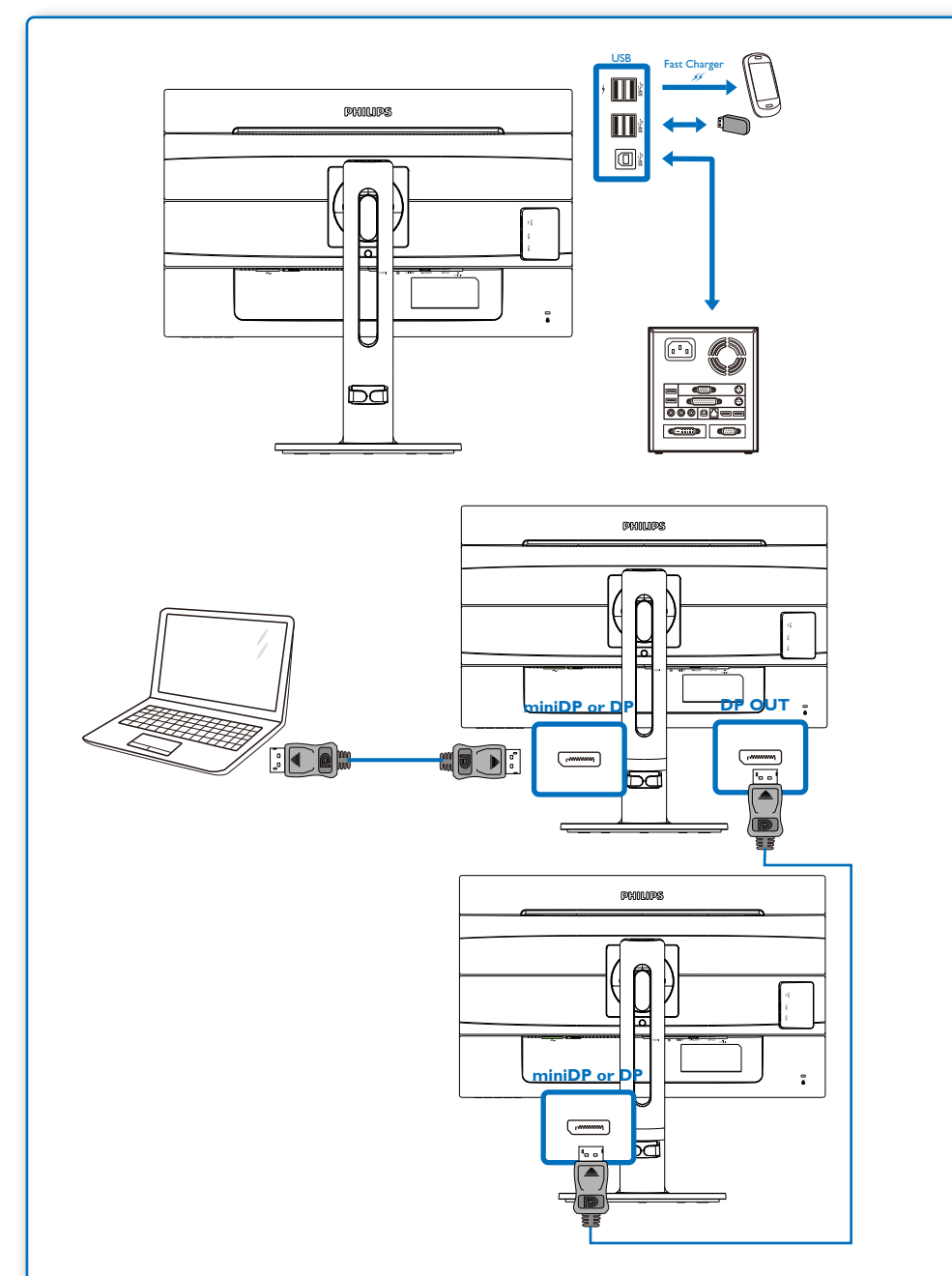
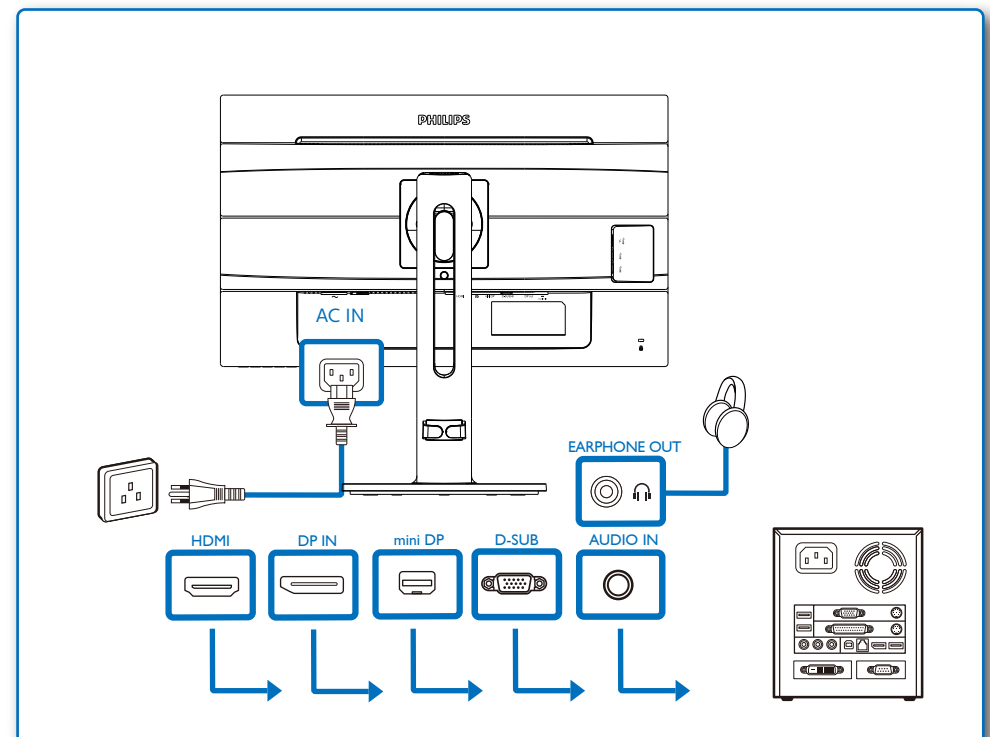
*Different according to region

Display design may differ from that illustrated

1



2



3

