

Register your product and get support at
www.philips.com/welcome

MCD388



EN User manual

PHILIPS

Contents

1 Important	4
Safety	4
Hearing safety	5
Notice	6

2 Your DVD Micro Theater	8
Introduction	8
What's in the box	8
Overview of the main unit	9
Overview of the remote control	10

3 Connect	13
Place the unit	13
Before you connect	13
Connect TV	13
Connect video cables	13
Option 1: Connect through HDMI	14
Option 2: Connect through component video	14
Option 3: Connect through S-Video	15
Option 4: Connect through composite video	15
Connect audio cables	15
Connect FM antenna	15
Connect power	16
Place the unit	16

4 Get started	17
Prepare the remote control	17
Set clock	17
Turn on	17
Set up wireless connection manually	17
Switch to standby mode	18
Find the correct viewing channel	18
Select the correct TV system	18
Change system menu language	18
Turn on Progressive Scan	18
Turn off progressive scan manually	19

5 Play	20
Play discs	20
Use the disc menu	20
Select an audio language	20
Select a subtitle language	20
Play from USB/CARD	20
Play DivX video	21
Play MP3/WMA/picture files	21
Play control	22
Select repeat/shuffle play options	22
Repeat A-B (DVD/VCD/CD/MP3/WMA)	22
Search forward/backward	22
Search by time or chapter/track number	22
Resume video play from last stopped point	22
Play options	22
Display play information	22
Program	22
Zoom in/out image	23
Slow-motion play	23
Change the audio channel	23
Select a camera angle	23
Picture view options	23
Preview pictures	23
Select a slide show play mode	23
Rotate picture	23

6 Adjust settings	24
General setup	24
Audio setup	24
Video setup	25
Preference setup	25

7 Tune to FM radio stations	27
Program radio stations automatically	27
Program radio stations manually	27
Tune to a preset radio station	27

8 Adjust volume level and sound effect	28
Adjust volume level	28
Adjust subwoofer volume	28
Select a sound effect	28
Select a preset sound effect	28

Enhance bass	28
Select automatic loudness control	28
Select surround sound effect	28
Mute sound	28
Listen through headphone	28
<hr/>	
9 Other features	29
Activate demonstration mode	29
Adjust brightness of display panel	29
Set the alarm timer	29
Set the sleep timer	29
Connect other devices	29
Listen to an audio player	29
Record to a digital recorder	30
<hr/>	
10 Product information	31
Specifications	31
Amplifier	31
Disc	31
Tuner (FM)	31
Speakers	31
General information	31
Supported disc formats	32
USB/SD/MMC playability information	32
<hr/>	
11 Troubleshooting	33
<hr/>	
12 Appendix	35
Mount to a wall	35
What's in the supplied mounting kit	35
What else you'll need	35
Mount the main unit	35

1 Important

Safety

- ① Read these instructions.
- ② Keep these instructions.
- ③ Heed all warnings.
- ④ Follow all instructions.
- ⑤ Do not use this apparatus near water.
- ⑥ Clean only with dry cloth.
- ⑦ Do not block any ventilation openings. Install in accordance with the manufacturer's instructions.
- ⑧ Do not install near any heat sources such as radiators, heat registers, stoves, or other apparatus (including amplifiers) that produce heat.
- ⑨ For countries with a polarized mains, do not defeat the safety purpose of the polarized or grounding-type plug. A polarized plug has two blades with one wider than the other. A grounding type plug has two blades and a third grounding prong. The wide blade or the third prong is provided for your safety. If the provided plug does not fit into your outlet, consult an electrician for replacement of the obsolete outlet.
Caution: To prevent electric shock, match the wide blade of the plug to the wide slot, fully insert.



- ⑩ Protect the power cord from being walked on or pinched, particularly at plugs, convenience receptacles, and the point where they exit from the apparatus.

- ⑪ Only use attachments/accessories specified by the manufacturer.
- ⑫ Use only with the cart, stand, tripod, bracket, or table specified by the manufacturer or sold with the apparatus. When a cart is used, use caution when moving the cart/apparatus combination to avoid injury from tip-over.



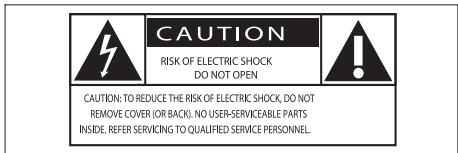
- ⑬ Unplug this apparatus during lightning storms or when unused for long periods of time.
- ⑭ Refer all servicing to qualified service personnel. Servicing is required when the apparatus has been damaged in any way, such as power-supply cord or plug is damaged, liquid has been spilled or objects have fallen into the apparatus, the apparatus has been exposed to rain or moisture, does not operate normally, or has been dropped.
- ⑮ Battery usage **CAUTION** – To prevent battery leakage which may result in bodily injury, property damage, or damage to the apparatus:
 - Install all batteries correctly, + and - as marked on the apparatus.
 - Do not mix batteries (old and new or carbon and alkaline, etc.).
 - Remove batteries when the unit is not used for a long time.
 - The batteries shall not be exposed to excessive heat such as sunshine, fire or the like.
- ⑯ Apparatus shall not be exposed to dripping or splashing.

- ⑰ Do not place any sources of danger on the apparatus (e.g. liquid filled objects, lighted candles).
- ⑱ This product may contain lead and mercury. Disposal of these materials may be regulated due to environmental considerations. For disposal or recycling information, please contact your local authorities or the Electronic Industries Alliance: www.eiae.org.

Caution

- Use of controls or adjustments or performance of procedures other than herein may result in hazardous radiation exposure or other unsafe operation.

Know these safety symbols



This 'bolt of lightning' indicates uninsulated material within your unit may cause an electrical shock. For the safety of everyone in your household, please do not remove product covering.

The 'exclamation point' calls attention to features for which you should read the enclosed literature closely to prevent operating and maintenance problems.

WARNING: To reduce the risk of fire or electric shock, this apparatus should not be exposed to rain or moisture and objects filled with liquids, such as vases, should not be placed on this apparatus.

CAUTION: To prevent electric shock, match wide blade of plug to wide slot, fully insert.

Warning

- Where the MAINS plug or an appliance coupler is used as the disconnect device, the disconnect device shall remain readily operable.

Warning

- Never remove the casing of this unit.
- Never lubricate any part of this unit.
- Place this unit on a flat, hard and stable surface.
- Never place this unit on other electrical equipment.
- Only use this unit indoors. Keep this unit away from water, moisture and liquid-filled objects.
- Keep this unit away from direct sunlight, naked flames or heat.
- Never look into the laser beam inside the unit.

Wall mounting of the unit should only be performed by qualified personnel. The unit must only be mounted on an appropriate wall bracket and on a wall that can safely hold the weight of the unit. Improper wall mounting can result in severe injury or damage. Do not attempt to wall mount the unit yourself.

Hearing safety

Listen at a moderate volume.

- Using headphones at a high volume can impair your hearing. This product can produce sounds in decibel ranges that may cause hearing loss for a normal person, even for exposure less than a minute. The higher decibel ranges are offered for those that may have already experienced some hearing loss.
- Sound can be deceiving. Over time your hearing 'comfort level' adapts to higher volumes of sound. So after prolonged listening, what sounds 'normal' can actually be loud and harmful to your hearing. To guard against this, set your volume to a safe level before your hearing adapts and leave it there.

To establish a safe volume level:

- Set your volume control at a low setting.
- Slowly increase the sound until you can hear it comfortably and clearly, without distortion.

Listen for reasonable periods of time:

- Prolonged exposure to sound, even at normally 'safe' levels, can also cause hearing loss.
- Be sure to use your equipment reasonably and take appropriate breaks.

Be sure to observe the following guidelines when using your headphones.

- Listen at reasonable volumes for reasonable periods of time.
- Be careful not to adjust the volume as your hearing adapts.
- Do not turn up the volume so high that you can't hear what's around you.
- You should use caution or temporarily discontinue use in potentially hazardous situations. Do not use headphones while operating a motorized vehicle, cycling, skateboarding, etc.; it may create a traffic hazard and is illegal in many areas.

Notice

Any changes or modifications made to this device that are not expressly approved by Philips Consumer Lifestyle may void the user's authority to operate the equipment.

Environmental information

All unnecessary packaging has been omitted. We have tried to make the packaging easy to separate into three materials: cardboard (box), polystyrene foam (buffer) and polyethylene (bags, protective foam sheet.)

Your system consists of materials which can be recycled and reused if disassembled by a specialized company. Please observe the local regulations regarding the disposal of packaging materials, exhausted batteries and old equipment.



The making of unauthorized copies of copy-protected material, including computer programs, files, broadcasts and sound recordings, may be an infringement of copyrights and constitute a criminal offence. This equipment should not be used for such purposes.



HDMI, and HDMI logo and High-Definition Multimedia Interface are trademarks or registered trademarks of HDMI licensing LLC. The SD, SDHC and microSD logos are trademarks of the SD Card Association.



The USB-IF Logos are trademarks of Universal Serial Bus Implementers Forum, inc.



'DVD Video' is a trademark of DVD Format/ Logo Licensing Corporation.



Manufactured under license from Dolby Laboratories. Dolby and the double-D symbol are trademarks of Dolby Laboratories.



DivX, DivX Certified, and associated logos are trademarks of DivX, Inc. and are used under license.

Official DivX® Ultra Certified product.

Plays all versions of DivX® video (including DivX® 6) with enhanced playback of DivX® media files and the DivX® Media Format.

This apparatus includes this label:



2 Your DVD Micro Theater

Congratulations on your purchase, and welcome to Philips! To fully benefit from the support that Philips offers, register your product at www.Philips.com/welcome.

Introduction

With this unit, you can:

- watch video from DVD/VCD/SVCD or USB/SD/MMC devices
- enjoy audio from discs or USB/SD/MMC devices
- view pictures from discs or USB/SD/MMC devices



You can enrich sound output with these sound effects:

- Digital Sound Control (DSC)
- Dynamic Bass Boost (DBB)
- Bass/treble enhancement
- Dolby Virtual Speakers (DVS)

The unit supports these media/disc formats:



You can play DVD discs with the following region codes:

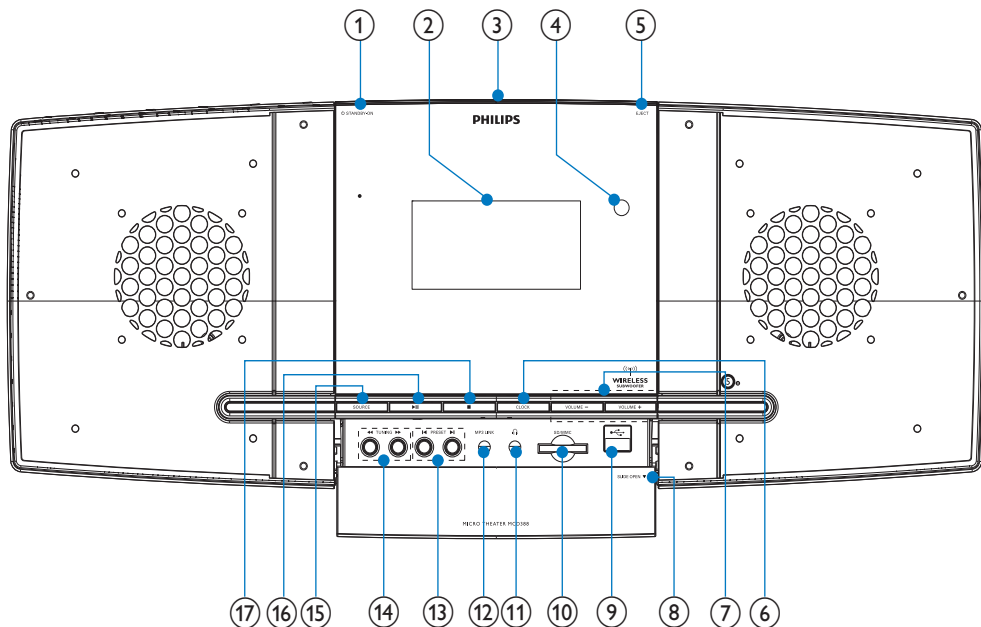
DVD region code	Countries
 	Latin America

What's in the box

Check and identify the contents of your package:

- Main unit
- Digital wireless subwoofer
- Table stand
- Composite video cable (yellow)
- Power cord
- Remote control with battery
- FM wire antenna
- Wall mount template

Overview of the main unit



Caution

- Use of controls or adjustments or performance of procedures other than herein may result in hazardous radiation exposure or other unsafe operation.

① **⏻STANDBY-ON**

- Turn on the apparatus; switch to standby mode.

② **Display panel**

- Display current status.

③ **Disc compartment**

④ **Remote control sensor**

⑤ **EJECT**

- Eject the disc.

⑥ **CLOCK**

- Set the clock.

⑦ **VOLUME +/-**

- Adjust volume.
- Adjust time.
- Select a source for the alarm timer.

⑧ **SLIDE OPEN ▼**

- Slide open the cover to reveal more buttons and sockets.

⑨ **🔌**

- USB socket.

⑩ **SD/MMC**

- SD/MMC card socket.

⑪ **🎧**

- Headphone socket.

⑫ **MP3 LINK**

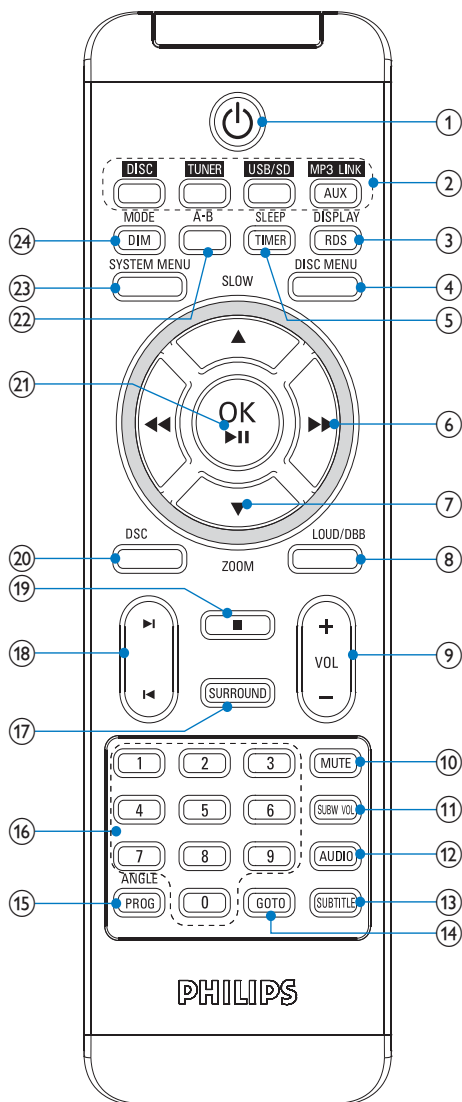
- Jack for an external audio device.

⑬ **PRESET ⏮/▶**

- Skip to the previous/next title/ chapter/track.
- Select a preset radio station.

- ⑭ **TUNING** ◀▶▶
- Search within a track or disc.
 - Tune to a radio station.
- ⑮ **SOURCE**
- Select a source.
- ⑯ ▶||
- Start or pause play.
- ⑰ ■
- Stop play.
 - Erase a program.
 - Activate/deactivate the demonstration mode.

Overview of the remote control

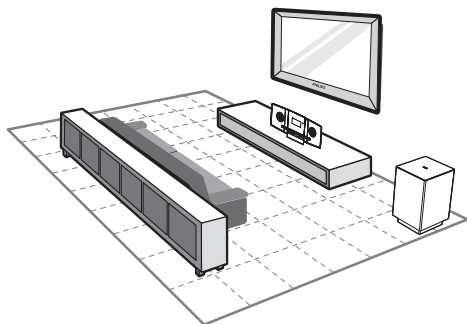


- ① **⏻**
- Turn on the apparatus; switch to standby mode.
- ② **Source selection keys**
- Select a source.

- ③ **DISPLAY/RDS (RDS function unavailable for this version)**
 - Display play information on a connected TV.
- ④ **DISC MENU**
 - For video discs: access or exit the disc menu.
 - For video discs with playback control(PBC): turn on/off PBC.
- ⑤ **SLEEP/TIMER**
 - Set the sleep timer.
 - Set the alarm timer.
- ⑥ **◀◀▶▶**
 - Search within a track or disc.
 - For menus, navigate left/right.
 - Tune to a radio station.
 - Move an enlarged picture left/right.
- ⑦ **▲SLOW/▼ZOOM**
 - For menus: navigate up/down.
 - Move an enlarged picture up/down.
 - Rotate or invert pictures.
 - (▲SLOW) For video discs: select a slow play mode.
 - (▼ZOOM) For pictures or video: zoom in/out.
- ⑧ **LOUD/DBB**
 - Turn on or off automatic loudness adjustment.
 - Turn on or off dynamic bass enhancement.
- ⑨ **VOL +/-**
 - Adjust volume.
 - Adjust time.
 - During timer setting, select a source.
- ⑩ **MUTE**
 - Mute or restore volume.
- ⑪ **SUBW VOL**
 - Adjust subwoofer volume.
- ⑫ **AUDIO**
 - For VCD, select stereo, mono-left or mono-right channel.
 - For DVD/DivX video, select an audio language.
- ⑬ **SUBTITLE**
 - Select a subtitle language.
- ⑭ **GOTO**
 - During disc play, specify a position to start play.
- ⑮ **ANGLE/PROG**
 - Select a DVD camera angle.
 - Program tracks.
 - Program titles/chapters for DVD play.
 - Program radio stations.
- ⑯ **Numeric keypad**
 - Select a title/chapter/track directly.
- ⑰ **SURROUND**
 - Enable/disable Dolby/Virtual Speakers (DVS) sound effect.
- ⑱ **◀▶**
 - Skip to the previous/next track.
 - Skip to the previous/next title or chapter.
 - Select a preset radio station.
- ⑲ **■**
 - Stop play.
 - Erase a program.
- ⑳ **DSC**
 - Select a preset sound setting.
- ㉑ **OK / ▶▶**
 - Start or pause play.
 - Confirm a selection.
- ㉒ **A-B**
 - Repeat a specific section within a track/disc.
- ㉓ **SYSTEM MENU**
 - Access or exit the system setup menu.
- ㉔ **MODE/DIM**
 - Select repeat play modes.
 - Select shuffle play modes.
 - Select a brightness level for the display screen.

3 Connect

Place the unit



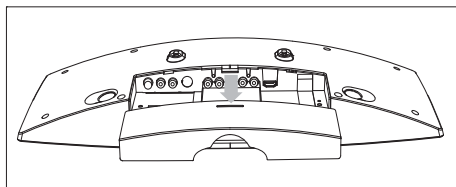
- 1 Place the unit near to the TV.
- 2 Keep the speakers at the normal listening ear-level and directly parallel to the listening area.
- 3 Place the subwoofer at the corner of the room or at least one meter away from the TV.

Note

- To avoid magnetic interference or unwanted noise, never place this apparatus and speakers too close to any radiation devices.
- Never place this unit in an enclosed cabinet.
- Install this unit near the AC outlet where the AC power plug can be easily reached.

Before you connect

- 1 Place a soft cloth on a hard, flat, stable surface.
- 2 With its front panel face-down, place the unit onto the cloth.
- 3 Remove the rear cover:



Connect TV

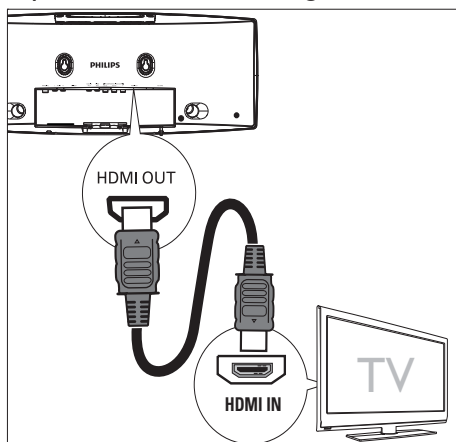
Connect video cables

With this connection, you can watch video from the unit on the TV screen.

You can select the best video connection that your TV supports.

- Option 1: Connect through HDMI (for a HDMI, DVI or HDCP-compliant TV).
- Option 2: Connect through SCART (for a standard TV).
- Option 3: connect through component video (for a standard TV or Progressive Scan TV).
- Option 4: connect through S-Video (for a standard TV).
- Option 5: connect through composite video (CVBS) (for a standard TV).

Option 1: Connect through HDMI



Connect HDMI (High Definition Multimedia Interface), DVI (Digital Visual Interface), or HDCP (High-bandwidth Digital Contents Protection)-compliant TVs through HDMI for the best picture quality. This connection transmits both video and audio signals. Through this connection, you can watch DVDs that contain HD (High-Definition) content.

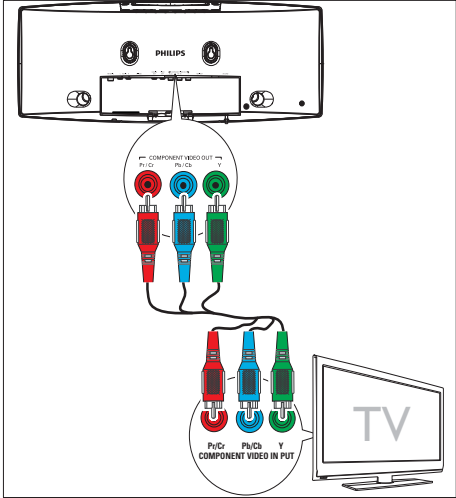
Note

- Some TVs do not support HDMI audio transmission.
- This connection provides the best video quality.

- 1 Connect an HDMI cable (not supplied) to:
 - the **HDMI OUT** socket on this unit.
 - the HDMI input socket on the TV.

Note

- If your TV has only a DVI connection, connect through a HDMI/DVI adaptor. An extra audio connection is needed to complete this connection.

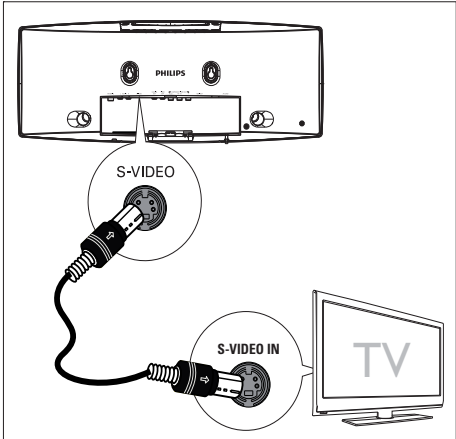


- 1 Connect component video cables (red/blue/green - not supplied) to:
 - the **COMPONENT VIDEO OUT (Pr/Cr Pb/Cb Y)** sockets on this unit.
 - the component input sockets on the TV.

Option 2: Connect through component video

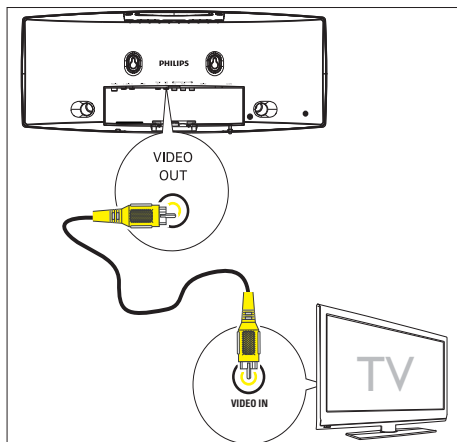
Connect a progressive scan TV through component video for higher quality video.

Option 3: Connect through S-Video



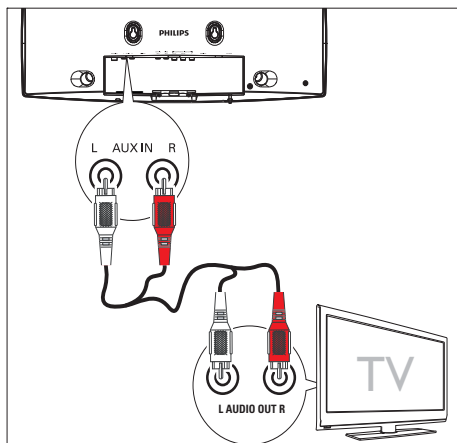
- 1 Connect an S-video cable (not supplied) to:
 - the **S-Video** socket on this unit.
 - the S-Video input socket on the TV.

Option 4: Connect through composite video



- 1 Connect the supplied composite video cable to:
 - the **VIDEO OUT** socket on this unit.
 - the video input socket on the TV.

Connect audio cables



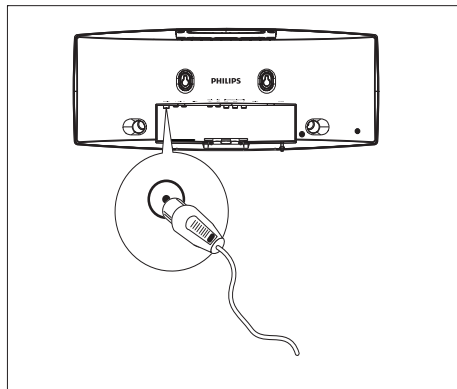
- 1 To play sound from the TV through this unit, connect audio cables (red/white - not supplied) to:
 - the **AUX IN L/R** sockets on this unit.
 - the audio output sockets on the TV.

Connect FM antenna



Tip

- This unit does not support MW radio reception.



- 1 Connect the supplied FM antenna to the **FM AERIAL** socket on the unit.

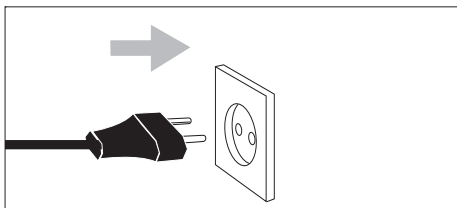
Connect power



Caution

- Risk of product damage! Ensure that the power supply voltage corresponds to the voltage printed on the back or the underside of the unit.
- Risk of electric shock! When you unplug the AC power, always pull the plug from the socket. Never pull the cord.
- Before you connect the AC power, ensure you have completed all other connections.

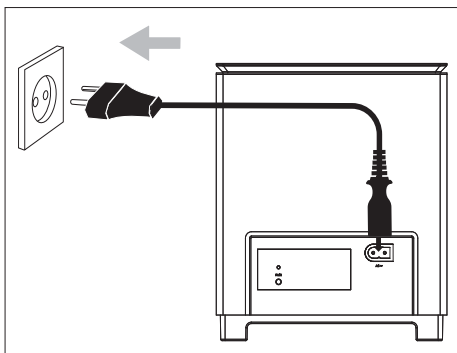
- 1 Connect the power plug of the main unit to the wall outlet.



 **Tip**

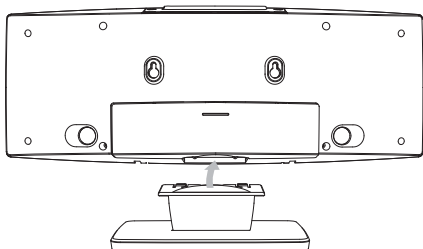
- You can also mount the unit on a wall (see 'Mount to a wall' on page 35).

- 2 Switch the voltage selector at the bottom of the digital wireless subwoofer to the local power line voltage.
- 3 Connect the power plug of the subwoofer to the wall outlet.



Place the unit

- 1 Attach the rear cover.
- 2 Attach the supplied table stand to the bottom of the main unit.



- 3 Place the main unit on a hard, flat and stable surface.

4 Get started

! Caution

- Use of controls or adjustments or performance of procedures other than herein may result in hazardous radiation exposure or other unsafe operation.

Always follow the instructions in this chapter in sequence.

If you contact Philips, you will be asked for the model and serial number of this apparatus. The model number and serial number are on the back of the apparatus. Write the numbers here:
Model No. _____
Serial No. _____

Prepare the remote control

! Caution

- Risk of explosion! Keep batteries away from heat, sunshine or fire. Never discard batteries in fire.

For first-time use:

- 1 Remove the protective tab to activate the remote control battery.

To replace the remote control batteries:

- 1 Open the battery compartment.
- 2 Insert one lithium CR2025 battery with correct polarity (+/-) as indicated.
- 3 Close the battery compartment.

☰ Note

- Before you press any function button on the remote control, first select the correct source with the remote control.
- If you are not going to use the remote control for a long time, remove the battery.

Set clock

- 1 In the standby mode, press and hold **CLOCK** on the front panel to activate the clock setting mode.
↳ The hour digits are displayed and begin to blink.
- 2 Press **+VOL -** to set the hour.
↳ The minute digits are displayed and begin to blink.
- 3 Press **+VOL -** to set the minute.
- 4 Press **CLOCK** to confirm the clock setting.

Turn on

- 1 Press **⏻**.
↳ The unit switches to the last selected source.
- 2 Wait for automatic setup of wireless connection between the main unit and subwoofer.
↳ **[PAIRING]** (pairing) flashes.
↳ If the connection succeeds, **[PAIR OK]** (pair OK) and **☺** are displayed and the blue indicator on the subwoofer lights up.
↳ If the connection fails, **[PAIR FAIL]** (pair fail) is displayed and the green indicator on the subwoofer lights up.
↳ If the wireless connection fails, set up the connection manually.

Set up wireless connection manually

- 1 In standby mode, press and hold **▶||** on the main unit for 3 seconds.
↳ **[PAIRING]** (pairing) flashes.
- 2 Press and hold **PAIR** on the subwoofer for 3 seconds.
↳ The blue and green indicators on the subwoofer flash alternately.
↳ If wireless connection succeeds, **[PAIR OK]** (pair OK) is displayed and the blue indicators on the subwoofer lights up.
- 3 Turn on the main unit again.

Note

- If the wireless connection fails again, check whether there is any conflict or strong interference (for example, interference from other electronic devices) around your location. After removal of the conflict or strong interference, repeat the above procedures.

Switch to standby mode

- 1 Press **⏻** again.
↳ The clock (if set) appears on the display panel.

Find the correct viewing channel

- 1 Press **⏻** to turn on the unit.
- 2 Press **DISC** to switch to disc mode.
- 3 Turn on the TV and switch to the correct video-in channel in one of the following ways:
 - Go to the lowest channel on your TV, then press the Channel Down button until you see the Philips screen.
 - Press the source button repeatedly on the remote control of your TV.

Tip

- The video-in channel is between the lowest and highest channels and may be called FRONT, A/V IN, VIDEO, HDMI etc. See the TV user manual on how to select the correct input on the TV.

Select the correct TV system

Change this setting if the video does not appear correctly. By default, this setting matches the most common setting for TVs in your country.

- 1 Press **SYSTEM MENU**.
- 2 Select **[Preference Page]**.
- 3 Select **[TV Type]** and then press **▶▶**.
- 4 Select a setting and then press **OK / ▶||**.
 - **[PAL]** - For TV with PAL color system.
 - **[Auto]** - For TV that is compatible with both PAL and NTSC.
 - **[NTSC]** - For TV with NTSC color system.
- 5 To exit the menu, press **SYSTEM MENU**.

Note

- When the HDMI cable is connected, the **[TV Type]** option is unavailable.

Change system menu language

- 1 Press **SYSTEM MENU**.
- 2 Select **[General Setup Page]**.
- 3 Select **[OSD Lang]** and then press **▶▶**.
- 4 Select a setting and then press **OK / ▶||**.
- 5 To exit the menu, press **SYSTEM MENU**.

Turn on Progressive Scan

Progressive scan displays twice the number of frames per seconds than interlaced scanning (ordinary TV system). With nearly double the number of lines, progressive scan offers higher picture resolution and quality.

Before you turn on this feature, ensure that:

- The TV supports progressive scan signals.
- You have connected this unit with the TV through component video.

- 1 Turn on the TV.
- 2 Ensure that the TV progressive scan mode is deactivated (see the TV user manual).
- 3 Switch the TV to the correct viewing channel for this unit.
- 4 Press **DISC**.
- 5 Press **SYSTEM MENU**.
- 6 Press **◀▶** to select **[Video Setup Page]** in the menu, then press **▼**.
- 7 Select **[Component]** > **[Pr/Cr Pb/Cb Y]**, then press **OK / ▶▶**.
- 8 Select **[TV Mode]** > **[P - SCAN]**, then press **OK / ▶▶**.
↳ A warning message is displayed.
- 9 To proceed, select **[OK]** and press **OK / ▶▶**.
↳ The progressive setup is complete.

Note

- If a blank/distorted screen is displayed, wait for 15 seconds for auto recovery or turn off progressive scan manually.

- 10 Turn on the progressive scan mode on the TV.

Turn off progressive scan manually

- 1 Turn off the progressive scan mode on the TV.

- 2 Press **SYSTEM MENU** to exit the menu.
- 3 Press **DISC** followed by numeric key "1" to turn off the progressive scan mode on the unit.
↳ The blue Philips DVD background screen is displayed.

Note

- In the progressive mode, if you press **DISC** followed by numeric key "1" during normal play, the progressive scan mode will be turned off on the unit.

5 Play



Note

- With some disc/file types, play may differ.

Play discs



Caution

- Never look at the laser beam inside the unit.
- Risk of product damage! Never play discs with accessories such as disc stabilizer rings or disc treatment sheets.
- Never put any objects other than discs into the disc compartment.

- 1 Press **DISC** to select the DISC source.
- 2 Insert a disc into the disc compartment and press **OK / ►||**.
 - ↳ Ensure that the label faces outwards.
- 3 Play starts automatically.
 - To stop play, press **■**.
 - To pause or resume play, press **OK / ►||**.
 - To skip to the previous/next title/ chapter/track, press **◀/▶**.
 -

If play does not start automatically:

 - Select a title/chapter/track and then press **OK / ►||**.



Tip

- To play a locked DVD, enter the 4-digit parental control password.

To access or exit the menu manually:

- 1 Press **DISC MENU**.

For VCD with PlayBack Control (PBC) feature (version 2.0 only):

With the PBC feature, you can play VCD interactively according to the menu screen.

- 1 During play, press **DISC MENU** to enable/disable PBC.
 - ↳ When PBC is enabled, the menu screen is displayed.
 - ↳ When PBC is disabled, normal play is resumed.

Select an audio language

You can select an audio language on DVDs, DivX video or VCDs.

- 1 During disc play, press **AUDIO**.
 - ↳ The language options appear. If the selected audio channels is unavailable, the default disc audio channel is used.



Note

- For some DVDs, the language can only be changed from the disc menu. Press **DISC MENU** to access the menu.

Select a subtitle language

You can select a subtitle language on DVDs or DivX® Ultra discs.

- During play, press **SUBTITLE**.

Use the disc menu

When you load a DVD/(S)VCD disc, a menu may be displayed on the TV screen.

Tip

- For some DVDs, the language can only be changed from the disc menu. Press **DISC MENU** to access the menu.

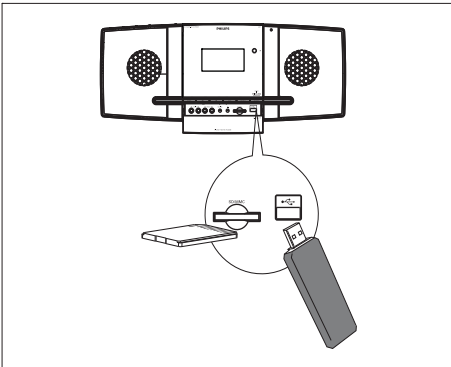
- To pause or resume play, press OK / **▶||**.
- To skip to the previous/next file, press **◀/▶**.

Play from USB/CARD

Note

- Ensure that the USB device or SD/MMC card contains playable music, pictures or video.

- Slide down **SLIDE OPEN▼**, then insert the device.
 - For USB devices: Insert the USB plug into the **USB** socket.
 - For SD/MMC cards: Insert the card into the **SD/MMC** socket.



- Press **USB/SD** to select the USB or CARD source.
- Press **DISC MENU** until the folder is displayed.
- Press **▲/▼** to select a folder; then press OK / **▶||** to confirm.
- Press **▲/▼** to select a file from the folder.
- Press OK / **▶||** to start play.
 - To stop play, press **■**.

Play DivX video

You can play DivX files copied onto a CD-R/ RW, recordable DVD, USB device or SD/MMC card.

- Insert a disc or connect a USB device or SD/MMC card.
- Select a source:
 - For discs, press **DISC**.
 - For USB devices or SD/MMC cards, press **USB/SD** repeatedly.
- Select a file to play and press OK / **▶||**.
 - To stop play, press **■**.
 - To pause or resume play, press OK / **▶||**.
 - To change a subtitle language, press **SUBTITLE**.

Note

- You can only play DivX videos rented or purchased through the DivX registration code of this unit.
- Subtitle files with the following filename extensions (.srt, .smi, .sub, .ssa, .ass) are supported but do not appear on the file navigation menu.
- The subtitle filename has to be the same as the file name of the video.

Play MP3/WMA/picture files

You can play MP3/WMA/picture files copied onto a CD-R/RW, recordable DVD, USB device or SD/MMC card.

- Insert a disc or connect a USB device or SD/MMC card.
- Select a source:
 - For discs, press **DISC**.

- For USB devices or SD/MMC cards, press **USB/SD** repeatedly.
- 3 Press **DISC MENU** until the folder is displayed.
 - 4 Press **▲/▼** to select a folder; then press **OK / ►||** to confirm.
 - 5 Press **▲/▼** to select a file from the folder.
 - 6 Press **OK / ►||** to start play.
 - To stop play, press **■**.
 - To pause or resume play, press **OK / ►||**.
 - To skip to the previous/next file, press **◀/▶**.

Play control

Select repeat/shuffle play options

- 1 During play, press **MODE/DIM** repeatedly to select a repeat option or the shuffle play mode.
 - To resume normal play, press **MODE/DIM** repeatedly until no option is displayed.

Repeat A-B (DVD/VCD/CD/MP3/WMA)

- 1 During music or video play, press **A-B** at the start point.
- 2 Press **A-B** at the end point.
 - ↳ The selected section starts to play repeatedly.
 - To cancel repeat play, press **A-B** again.

Note

- The section A and B can be set only within the same track/title.

Search forward/backward

- 1 During play, press **◀◀▶▶** repeatedly to select a search speed.
 - To resume play at normal speed, press **OK / ►||**.

Search by time or chapter/track number

- 1 During video/audio play, press **GOTO** until a time field or chapter/track field is displayed.
 - For the time field, enter the play position in hours, minutes and seconds.
 - For the chapter/track field, enter the chapter/track.
 - Play starts automatically at your selected point.

Resume video play from last stopped point

Note

- This feature is only available for DVD/VCD play.

- 1 In stop mode and when the disc has not been removed, press **OK / ►||**.
- To cancel resume mode and stop play completely:**

- 1 In stop mode, press **■**.

Play options

Display play information

- 1 During play, press **DISPLAY/RDS** repeatedly to display play information.

Program

Note

- You cannot program picture files/discs.

For video discs/audio CDs:

- 1 During play or in stop mode, press **ANGLE/PROG** to access the program menu.
- 2 Enter the tracks/chapters to add to the program.
- 3 Repeat step 2 until the program is complete.
- 4 Select **[Start]**, then press **OK / ►||** to play the program.

For Divx/MP3/WMA files:

- 1 During play or in stop mode, press **DISC MENU** until the file list is displayed.
- 2 Select a file, then press **ANGLE/PROG** to add the file to the program list.
- 3 Repeat steps 2 until the program is complete.
- 4 Press **OK / ►||** to play the program.

To delete a file from the **[Program List]**:

- 1 Press **DISC MENU** until the program list is displayed.
- 2 Select a file, then press **ANGLE/PROG** to delete the file from the program list.

Zoom in/out image

- 1 During video/picture play, press **▼** (**ZOOM**) repeatedly to zoom in/out the image.

- When the image is zoomed in, you can press **◀◀▶▶/▲/▼** to pan through the image.

Slow-motion play

- 1 During video play, press **▲ (SLOW)** repeatedly to select a slow play option.
 - ↳ The sound is muted.
 - ↳ To resume play at normal speed, press **OK / ►||**.

Change the audio channel

Note

- This feature is only available for VCD/DivX play.

- 1 During play, press **AUDIO** repeatedly to select an audio channel available on the disc:
 - Mono Left
 - Mono Right
 - Mix-Mono
 - Stereo

Select a camera angle

Note

- This feature is only available for DVDs recorded with multiple camera angles.

- 1 During play, press **ANGLE/PROG** repeatedly to select a camera angle.

Picture view options

Preview pictures

- 1 During play, press **■**.
 - ↳ The thumbnails of 12 pictures are displayed.

- 2** Select one of the following:
- a picture
 - the slide show option
 - the menu option
 - the next/previous page (if available)

- 3** Press OK / ►|| to:
- play the selected picture
 - start slide show of all pictures
 - enter the menu where each remote key function is explained
 - turn to the next/previous page (if available)

Select a slide show play mode

- 1** During play, press **ANGLE/PROG** repeatedly to select a slide-show play mode.

Rotate picture

- 1** During play, press ▲/▼ to rotate the picture anti-clockwise/clockwise.

6 Adjust settings

- 1 Press **SYSTEM MENU**.
- 2 Select a setup page.
- 3 Select an option and then press **▶▶**.
- 4 Select a setting and then press **OK / ▶▶**.
 - To return to the previous menu, press **◀◀**.
 - To exit the menu, press **SYSTEM MENU**.

General setup

On **[General Setup Page]**, you can set the following options:

[TV Display]

The TV format determines the aspect ratio of display according to the type of TV you have connected.



4:3 Pan Scan (PS) 4:3 Letter Box (LB) 16:9 (Wide Screen)

- **[Normal/PS]** – For 4:3 screen TV: full-height display with the trimmed sides.
- **[Normal/LB]** – For 4:3 screen TV: wide-screen display with black bars on the top and bottom of the screen.
- **[Wide]** – For wide-screen TV: display ratio 16:9.

[OSD Lang]

Select the preferred language for on-screen display.

[Screen Saver]

The screen saver protects the TV screen damage due to prolonged exposure to a static image.

- **[On]** – Enable the screen saver.

- **[Off]** – Disable the screen saver.

[DIVX (R) VOD]

Display the DivX® registration code.



Tip

- Enter this DivX registration code when you rent or purchase video from <http://vod.divx.com/>. The DivX videos rented or purchased through the DivX® VOD (Video On Demand) service can be played only on the device to which it is registered.

Audio setup

On **[Audio Setup Page]**, you can set the following options:

[SPDIF Setup] > [SPDIF Setup Page] > [Digital Output]

Select audio formats supported by the connected device.

- **[Off]** – Turn off the digital output.
- **[SPDIF/RAW]** – If the connected device supports multi-channel audio formats, select this option.
- **[SPDIF/PCM]** – If the connected device cannot decode multichannel audio, select this option.

[Dolby Digital Setup] > [Dual Mono]

Select audio signals output to speakers.

- **[Stereo]** – Output multichannel sound signals to both speakers.
- **[L - Mono]** – Output left mono sound signals to both speakers.
- **[R - Mono]** – Output right mono sound signals to both speakers.

[3D Processing] > [3D Processing Page] > [Reverb Mode]

Select a virtual surround sound mode.

[HDCD] > [HDCD Setup Page] > [Filter]

When you play a HDCD (High Definition Compatible Digital) disc, select the audio output cutoff frequency.

[Night Mode]

Make loud sound level softer and soft sound level louder so that you can watch the DVD movies at a low volume, without disturbing others.

- **[On]** – enjoy quiet viewing at night (DVDs only).
- **[Off]** – enjoy surround sound with its full dynamic range.

[Audio Sync]

Set the default delay time for audio output when you play a video disc.

Press ◀◀▶▶ to set the delay time.

Press OK / ▶▶ to confirm and exit.

Video setup

On **[Video Setup Page]**, you can set the following options:

[Component]

Set the video output according to the video connection. If the composite connection is used, this setting is not required.

- **[S - Video]** – If the S-Video connection is used, select this option.
- **[Pr/Cr Pb/Cb Y]** – If the component connection is used, select this option.

[TV Mode]

Select the video output mode. To select the progressive scan mode, ensure that you have connected a progressive scan TV and set

[Component] to **[Pr/Cr Pb/Cb Y]**.

- **[P - SCAN]** – For progressive scan TV: turn on the progressive scan mode.
- **[Interlace]** – For ordinary TV: turn on the interlace mode.

[Quality] > [Picture Setting]

Customize picture color settings.

[HDMI SETUP] > [HDMI]

Turn on or off HDMI output.

- **[Auto]** – Select audio output through the HDMI connection automatically.

- **[Off]** – Disable HDMI audio output (not recommended).

[HDMI SETUP] > [Resolution]

Select the HDMI video output resolution that is compatible with your TV display capability.



Tip

- This option is only available when the **[HDMI]** option is set to **[Auto]**.
- In the resolution options, “i” denotes interlace and “p” denotes progressive.

Preference setup

On **[Preference Page]**, you can set the following options:

[TV Type]

Change this setting if the video does not appear correctly. By default, this setting matches the most common setting for TVs in your country.

- **[PAL]** - For TV with PAL color system.
- **[Auto]** - For TV that is compatible with both PAL and NTSC.
- **[NTSC]** - For TV with NTSC color system.

[Audio]

Select the preferred audio language for disc play.

[Subtitle]

Select the preferred subtitle language for disc play.

[Disc Menu]

Select the preferred disc menu language.



Note

- If the language you have set is not available on the disc, the disc uses its own default language.
- For some discs, the subtitle/audio language can only be changed from the disc menu.

[Parental]

Restricts access to discs that are unsuitable for children. These types of discs must be recorded with ratings.

Press OK / ►||.

Select a rating level, then press OK / ►||.

Press the numeric keys to enter the password.

- 1) Press the numeric keys to enter '1234' or your last set password at **[Old Password]** field.
- 2) Enter the new password at **[New Password]** field.
- 3) Enter the new password again at **[Confirm PWD]** field.
- 4) Press OK / ►|| to exit the menu.



Note

- Rated discs above the level you set in **[Parental]** require a password to be played.
- The ratings are country-dependent. To allow all discs to play, select **[8 ADULT]**.
- Some discs have ratings printed on them but are not recorded with ratings. This function has no effect on such discs.



Note

- If you forget the password, enter '1234' before you set a new password.



Tip

- You can set or change the password.

[Default]

Resets all the settings of this unit to factory default, except for the password and parental settings.

[Password Setup] > [Password Setup Page] > [Password Mode]

This setting allows you to enable/disable the password for parental control. If the password is enabled, when you play a prohibited disc, this 4-digit password is required.

- **[On]** - Enable the password for parental control.
- **[Off]** - Disable the password for parental control.

[Password Setup] > [Password Setup Page] > [Password]

You can change password here. The default password is 1234.

- **[Change]**

7 Tune to FM radio stations

- 1 Ensure that you have connected and fully extended the supplied FM antenna (see 'Connect FM antenna' on page 15).
 - 2 Press **TUNER**.
 - 3 Press and hold **◀▶**.
 - 4 When the frequency indication starts to change, release the button.
 - ↳ The FM tuner tunes to a station with strong reception automatically.
 - 5 Repeat steps 3-4 to tune to more stations.
- To tune to a weak station:**
Press **◀▶** repeatedly until you find optimal reception.

Program radio stations automatically

Note

- You can program a maximum of 20 preset radio stations.

- 1 Press **◀▶** to select a preset number to start programming.
- 2 Press and hold **ANGLE/PROG** for 2 seconds to activate automatic programming.
 - ↳ **[AUTO]** (auto) is displayed briefly.
 - ↳ All available stations are programmed in the order of waveband reception strength.
 - ↳ The last programmed radio station is broadcast automatically.

Program radio stations manually

Note

- You can program a maximum of 20 preset radio stations.

- 1 Tune to a radio station.
- 2 Press **ANGLE/PROG** to activate programming.
- 3 Press **◀▶** to allocate a number from 1 to 20 to this radio station, then press **ANGLE/PROG** to confirm.
 - ↳ The preset number and the frequency of the preset station are displayed.
- 4 Repeat the above steps to program other stations.

Note

- To overwrite a programmed station, store another station in its place.

Tune to a preset radio station

- 1 Press **◀▶** to select a preset number that you want.

Tip

- You can also use the numerical keypad to select a preset station directly.

8 Adjust volume level and sound effect

Adjust volume level

- 1 During play, press **VOL +/-** to increase/decrease the volume level.

Adjust subwoofer volume

- 1 Press **SUBWVOL** to adjust the subwoofer volume.

Select a sound effect



Note

- You cannot use different sound effects at the same time.

Select a preset sound effect

- 1 During play, press **DSC** repeatedly to select:
 - **[ROCK]** (rock)
 - **[JAZZ]** (jazz)
 - **[POP]** (pop)
 - **[CLASSIC]** (classic)
 - **[FLAT]** (flat)

Enhance bass

- 1 To turn on bass enhancement, press **LOUD/DBB** repeatedly during play until the DBB logo is displayed.
 - To turn off bass enhancement, press repeatedly until the DBB logo disappears.

Select automatic loudness control

Automatic loudness control increases the treble and bass effect at low volume levels (the higher the volume, the lower the treble and bass levels).

- 1 To turn on automatic loudness control, press **LOUD/DBB** during play until the loudness icon is displayed.
 - To turn off automatic loudness control, press **LOUD/DBB** until the loudness icon disappears.

Select surround sound effect


DVS (Dolby Virtual Speaker) technology creates a highly compelling 5.1-channel listening experience from as few as two speakers. It is an ideal entertainment solution for locations where space for multiple speaker setup is limited.

- 1 During play, press **SURROUND** to turn on/off surround sound effect.

Mute sound

- 1 During play, press **MUTE** to mute/unmute sound.

Listen through headphone

- 1 Plug a headphone into the  socket on the unit.

9 Other features

Activate demonstration mode

You can see an overview of all features.

- 1 In standby mode, press **■** on the main unit to activate the demonstration mode.
 - ↳ A demonstration of major available features starts.

To deactivate the demonstration mode:

- 1 Press **■** on the main unit again.

Adjust brightness of display panel

- 1 In standby mode, press **MODE/DIM** repeatedly to select different levels of brightness for the display panel.

Set the alarm timer

- 1 Ensure that you have set the clock correctly.
- 2 In standby mode, press and hold **SLEEP/TIMER**.
 - ↳ The hour digits are displayed and begin to blink.
- 3 Press **+VOL -** to set the hour.
 - ↳ The minute digits are displayed and begin to blink.
- 4 Press **+VOL -** to set the minute.
- 5 Press **SLEEP/TIMER** to confirm.
- 6 To activate the wake-up timer, press **+VOL -** to select **[ON]** (on).
 - ↳ A clock icon appears on the display.
 - ↳ The unit turns on automatically at the set time and switches to the last selected source.

- ↳ To deactivate the alarm timer, select **[OFF]** (off) at step 6.

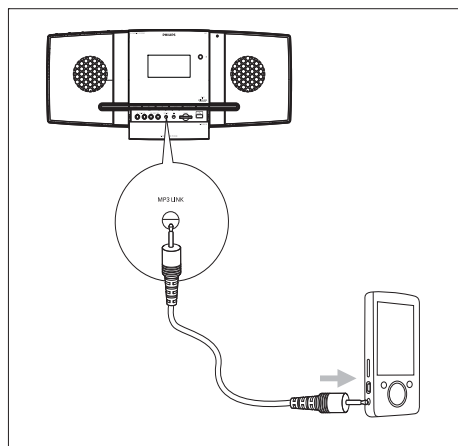
Set the sleep timer

- 1 When the unit is turned on, press **SLEEP/TIMER** repeatedly to select a set period of time (in minutes).
 - ↳ The unit turns off automatically after the set period of time.

Connect other devices

Listen to an audio player

You can listen to audio player through this unit.



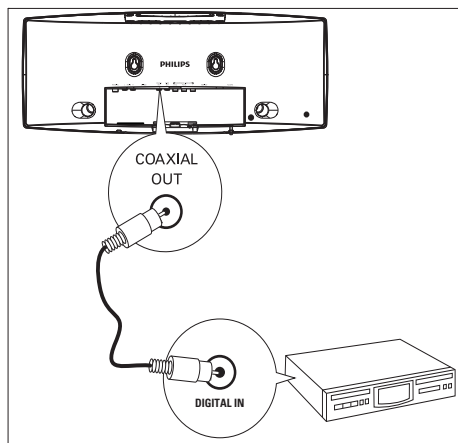
- 1 Slide down **SLIDE OPEN**▼.
- 2 Connect the audio player:
 - For audio players with red/white audio output sockets: Connect a red/white audio cable (not supplied) to the **AUX IN L/R** sockets and to the audio output sockets on the audio player.
 - For audio players with headphone sockets:

Connect a 3.5mm audio cable (not supplied) to the **MP3 LINK** socket and to the headphone socket on the audio player.

- 3 Select the MP3 Link/AUX source.
- 4 Start play on the audio player.

Record to a digital recorder

You can record audio from this unit to a digital recorder.



- 1 Connect a coaxial cable (not supplied) to:
 - the **COAXIAL OUT** socket
 - the digital input socket on the digital recorder
- 2 Play audio to be recorded.
- 3 Begin to record on the digital recorder (see the digital recorder user manual).

10 Product information

Note

- Product information is subject to change without prior notice.

Specifications

Amplifier

Rated Output Power	2X20W + 60W RMS
Frequency Response	20 -20000 Hz, -3dB
Signal to Noise Ratio	>67dB
Aux Input	0.5V RMS 20k ohm

Disc

Laser Type	Semiconductor
Disc Diameter	12cm/8cm
Video Decoding	MPEG-1 / MPEG-2 / DivX
Video DAC	12Bits
Signal System	PAL / NTSC
Video Format	4:3 / 16:9
Video S/N	>48dB
Audio DAC	24Bits / 96kHz
Total Harmonic Distortion	<1%
Frequency Response	4Hz - 20kHz (44.1kHz) 4Hz - 22kHz (48kHz) 4Hz - 24kHz (96kHz)
S/N Ratio	>67dBA

Tuner (FM)

Tuning Range	87.5 - 108MHz
Tuning grid	50KHz
Sensitivity	
- Mono, 26dB S/N Ratio	<22 dBf
- Stereo, 46dB S/N Ratio	>43 dBf
Search Selectivity	>28dBf
Total Harmonic Distortion	<2%
Signal to Noise Ratio	>55dB

Speakers

Speaker Impedance	4ohm
Speaker Driver	3" Full range +5.25"subwoofer
Sensitivity	>82dB/m/W

General information

AC power	110 - 127V / 220 - 240V, ~50/60 Hz
Operation Power Consumption	Main unit: 22W; Subwoofer: 45W
Standby Power Consumption	<4W
Composite Video Output	1.0Vp-p, 75ohm
Coaxial Output	0.5Vpp ± 0.1Vpp 75ohm
Headphone Output	2X15mW 32ohm
USB Direct	Version 2.0
Dimensions	
- Main Unit (W x H x D)	525 x 90 x 200mm
- Wireless Subwoofer Box (W x H x D)	170 x 197 x 302mm
Weight	
- With Packing	8 kg
- Main Unit	2.4 kg
- Wireless Subwoofer Box	4.5 kg

Supported disc formats

- Digital Video Discs (DVDs)
- Video CDs (VCDs)
- SuperVideo CDs (SVCDs)
- Digital Video Discs + Rewritable (DVD+RW)
- Compact Discs (CDs)
- Picture (Kodak, JPEG) files on CDR(W)
- DivX(R) disc on CD-R(W):
- DivX 3.11, 4.x and 5.x
- WMA

Supported MP3-CD formats:

- ISO 9660
- Max. title/album name: 12 characters
- Max. title number plus album: 255.
- Max. nested directory: 8 levels.
- Max. album number: 32.
- Max. MP3 track number: 999.
- Supported sampling frequencies for MP3 disc: 32 kHz, 44.1 kHz, 48 kHz.
- Supported Bit-rates of MP3 disc are: 32, 64, 96, 128, 192, 256 (kbps).
- The following formats are not supported:
 - Files like *.VMA, *.AAC, *.DLF, *.M3U, *.PLS, *.WAV
 - Non-English Album/Title name
 - Discs recorded in Joliet format
 - MP3 Pro and MP3 with ID3 tag

- Directory nesting up to a maximum of 8 levels
- Number of albums/ folders: maximum 99
- Number of tracks/titles: maximum 999
- ID3 tag v2.0 or later
- File name in Unicode UTF8 (maximum length: 128 bytes)

Unsupported formats:

- Empty albums: an empty album is an album that does not contain MP3/ WMA files, and is not be shown in the display.
- Unsupported file formats are skipped. For example, Word documents (.doc) or MP3 files with extension .dlf are ignored and not played.
- AAC, WAV, PCM audio files
- DRM protected WMA files (.wav, .m4a, .m4p, .mp4, .aac)
- WMA files in Lossless format

USB/SD/MMC playability information

Compatible devices:

- USB flash memory (USB 2.0 or USB1.1)
- USB flash players (USB 2.0 or USB1.1)
- SD/MMC memory cards

Supported formats:

- USB or memory file format FAT12, FAT16, FAT32 (sector size: 512 bytes)
- MP3 bit rate (data rate): 32-320 Kbps and variable bit rate
- WMA v9 or earlier

11 Troubleshooting

Caution

- Never remove the casing of this unit.

To keep the warranty valid, never try to repair the system yourself.

If you encounter problems when using this unit, check the following points before requesting service. If the problem remains unsolved, go to the Philips web site (www.Philips.com/support). When you contact Philips, ensure that your unit is nearby and the model number and serial number are available.

No power

- Ensure that the AC cord of the apparatus is connected properly.
- Ensure that there is power at the AC outlet.
- As a power-saving feature, the system switches off automatically 15 minutes after track play reaches the end and no control is operated.

No disc detected

- Insert a disc.
- Check if the disc is inserted upside down.
- Wait until the moisture condensation at the lens has cleared.
- Replace or clean the disc.
- Use a finalized CD or correct format disc.

No picture

- Check the video connection.
- Turn on the TV to the correct Video-In channel.
- Progressive scan is activated but the TV does not support progressive scan.

Black and white or distorted picture

- The disc does not match the TV color system standard (PAL/NTSC).
- Sometimes a slight picture distortion may appear. This is not a malfunction.
- Clean the disc.

- A distorted picture may appear during progressive scan setup.

The aspect ratio of the TV screen cannot be changed even though you have set the TV display format.

- The aspect ratio is fixed on the loaded DVD disc.
- The aspect ratio may not be changed for some TV systems.

No sound or poor sound

- Adjust the volume.
- Disconnect the headphone.
- Ensure the wireless subwoofer is connected.

Remote control does not work

- Before you press any function button, first select the correct source with the remote control instead of the main unit.
- Reduce the distance between the remote control and the unit.
- Insert the battery with its polarities (+/- signs) aligned as indicated.
- Replace the battery.
- Aim the remote control directly at the sensor on the front of the unit.

Disc does not play

- Insert a readable disc and ensure that the label side faces outwards.
- Check the disc type, color system and regional code. Check for any scratches or smudges on the disc.
- Press **SYSTEM MENU** to exit the system setup menu.
- Disable the password for parental control or change the rating level.
- Moisture has condensed inside the system. Remove the disc and leave the system turned on for about an hour. Disconnect and reconnect the AC power plug, and then turn on the system again.
- As a power-saving feature, the system turns off automatically 15 minutes after disc play reaches the end and no control is operated.

Poor radio reception

- Increase the distance between the unit and your TV or VCR.
- Fully extend the FM antenna.
- Connect an outdoor FM antenna instead.

Wireless connection fails.

- Set up wireless connection manually.

Unable to select Progressive Scan

- Ensure the video output mode is set to [Pr/Cr Pb/Cb Y].

No sound on HDMI connection.

- You may not hear any sound if the connected device is non-HDCP compliant or only DVI-compatible.

No picture on HDMI connection.

- Check if the HDMI cable is faulty. Replace a new HDMI cable.
- If this happens when you change the HDMI video resolution, select the correct resolution until the picture appears.

Audio or subtitle languages cannot be set

- The disc is not recorded with sound or subtitles in multiple languages.
- The audio or subtitle language setting is prohibited on the disc.

Cannot display some files in USB device or SD/MMC card

- The number of folders or files in the USB device or SD/MMC card has exceeded a certain limit. This phenomenon is not a malfunction.
- The formats of these files are not supported.

USB device or SD/MMC card not supported

- The USB device or SD/MMC card is incompatible with the apparatus. Try another one.

Timer does not work

- Set the clock correctly.
- Switch on the timer.

Clock/timer setting erased

- Power has been interrupted or the power cord has been disconnected.
- Reset the clock/timer.

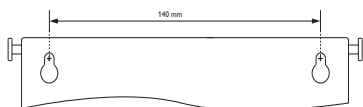
12 Appendix

Mount to a wall

! Caution

- Risk of product damage! Always consult professional personnel to safely mount the product to a wall.
- Risk of injury! Ensure that no supply ducts such as gas, water or electricity are harmed when you drill the holes.

What's in the supplied mounting kit



1 x wall mount template

What else you'll need

- Electric drill
- 2 x screws and dowels
- Screwdriver
- Pencil

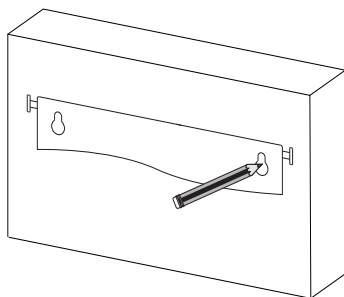
Mount the main unit

! Caution

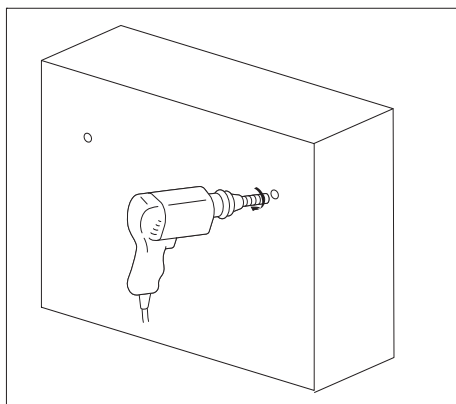
- To find a suitable mounting location, make the necessary physical and wireless connections.
- Mount the main unit and speakers to a solid concrete wall or plaster board wall only!

You can use the supplied bracket to mount the main unit and speakers to the wall.

- 1 Align the template in the chosen location on a wall. Use a pencil to mark the drilling positions.



- 2 Drill holes as marked.



- 3 Secure 2 supplied screws in the holes, but leave 5mm between the screw head and the wall.

