

sPDS-60ca 24V



Color Kinetics® sPDS-60ca 24V intelligent, indoor, power/data supply is specifically designed for Color Kinetics 24 volt Chromasic® fixtures. sPDS-60ca 24V is a robust 62W power source with a DMX interface. It is used for installations using a DMX controller such as iPlayer 2, ColorDial, or a third party DMX controller. The DMX data driver conditions the supplied data to a format compatible with the fixtures. The integration of power and data simplifies wiring installation, and the selection of control configurations expands the versatility of the applications.

Push buttons on the front panel of sPDS-60ca 24V allow you to select the base address for each power supply, thus eliminating the need for additional addressing tools. After the base address has been selected, each light can be sequentially addressed or all lights can be set to a single address. All functions can be monitored from the LED display located on the front panel.

sPDS-60ca 24V is housed in a compact enclosure designed for use in dry locations and complies with National Electrical Code (NEC) requirements. The data drive circuitry has been specifically designed with short circuit protection to prevent failures due to incorrect wiring or installation.

sPDS-60ca 24V automatically accommodates supply voltages ranging from 100VAC to 240VAC using a standard IEC cable. All product and data connections are made to the external panels to shorten installation time. sPDS-60ca 24V allows the DMX data to be daisy-chained through the RJ45 terminals from one supply to the next.

FEATURES

- Economical
- Compact size
- Ease of installation
- DMX ready
- Robust 62W power source
- Indoor rated

sPDS-60ca 24V SPECIFICATIONS

POWER INPUT	100VAC to 240VAC auto ranging (50Hz–60Hz),
MAX CURRENT	1.7A at 100V, 1.5A at 120V, .75A at 240V Power factor correction (PFC)
POWER OUTPUT	24VDC (62W Max.)
HEAT DISSIPATION	25 percent of total power input
AMBIENT OPERATING TEMP	14°F to 122°F (-10°C to 50°C)
HOUSING	Overall dimensions: 8.8" (22.4 cm) X 4" (10.2 cm) X 2" (5.1 cm) Weight: 2.0 lbs (907 g)
CONNECTORS	Data: RJ45 input and output connectors Power: 4-pin output connectors, IES power connector
DATA INPUT INTERFACE	Color Kinetics DMX controllers or DMX512 compatible
DATA OUTPUT INTERFACE	Chromasic 24V
LISTINGS	UL/C-UL, CE



ITEM# 109-000021-00 (DMX)

FOR USE UNDER U.S. PATENTS 6,016,038, 6,150,774, 6,340,868, 6,608,453, 6,777,891, 6,788,011, AND 6,806,659.

OTHER PATENTS PENDING.

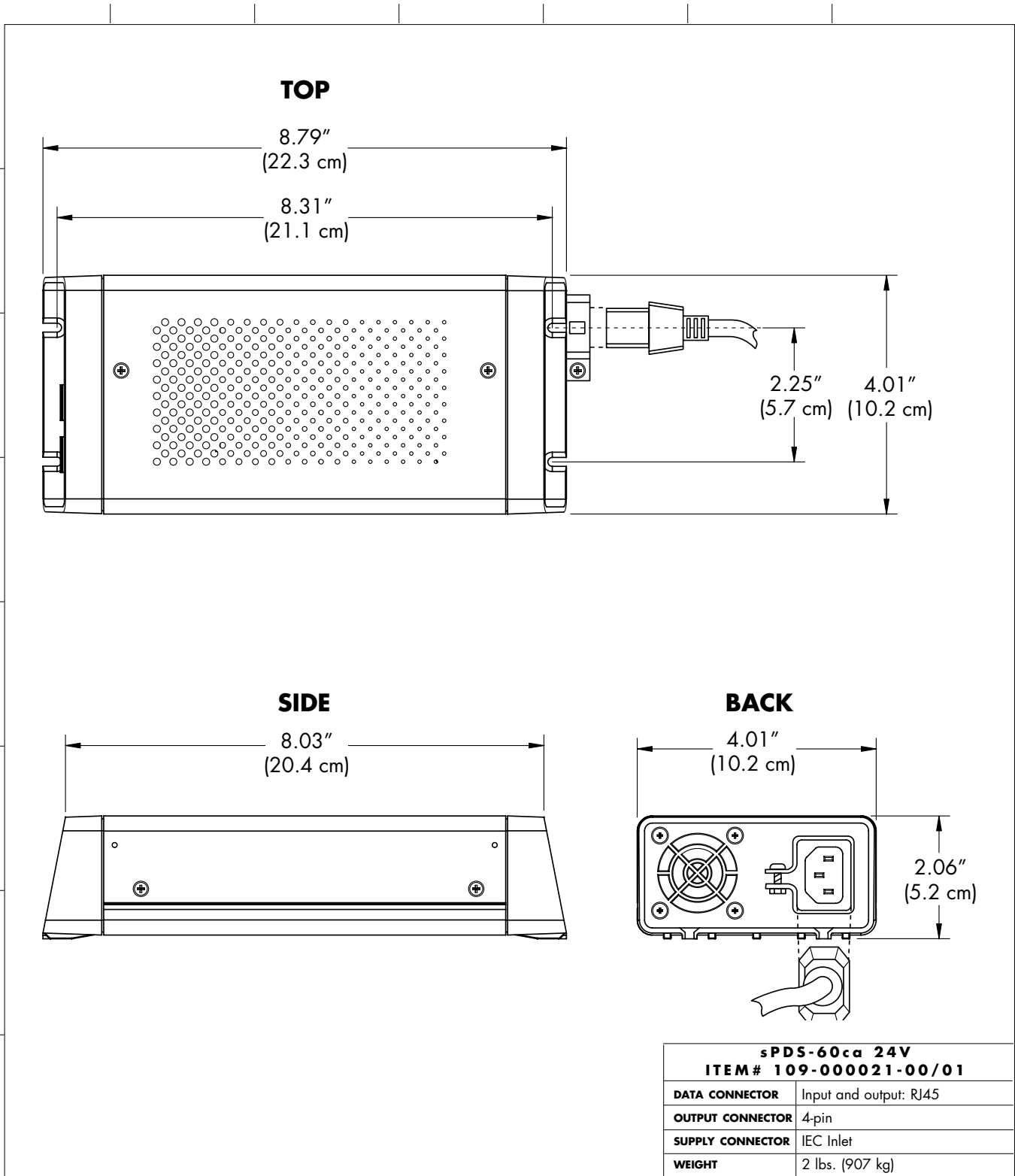
©2005 Color Kinetics Incorporated. All rights reserved. Chromacore, Chromasic, Color Kinetics, the Color Kinetics logo, ColorBlast, ColorBlaze, ColorBurst, ColorCast, ColorPlay, ColorScape, Direct Light, iColor, iColor Cove, iPlayer, Optibin, QuickPlay, Sauce, the Sauce logo, and Smartjuice are registered trademarks and DIMand, IntelliWhite, Powercore, and Video With Light are trademarks of Color Kinetics Incorporated.

All other brand or product names are trademarks or registered trademarks of their respective owners.

BR0167 Rev 00

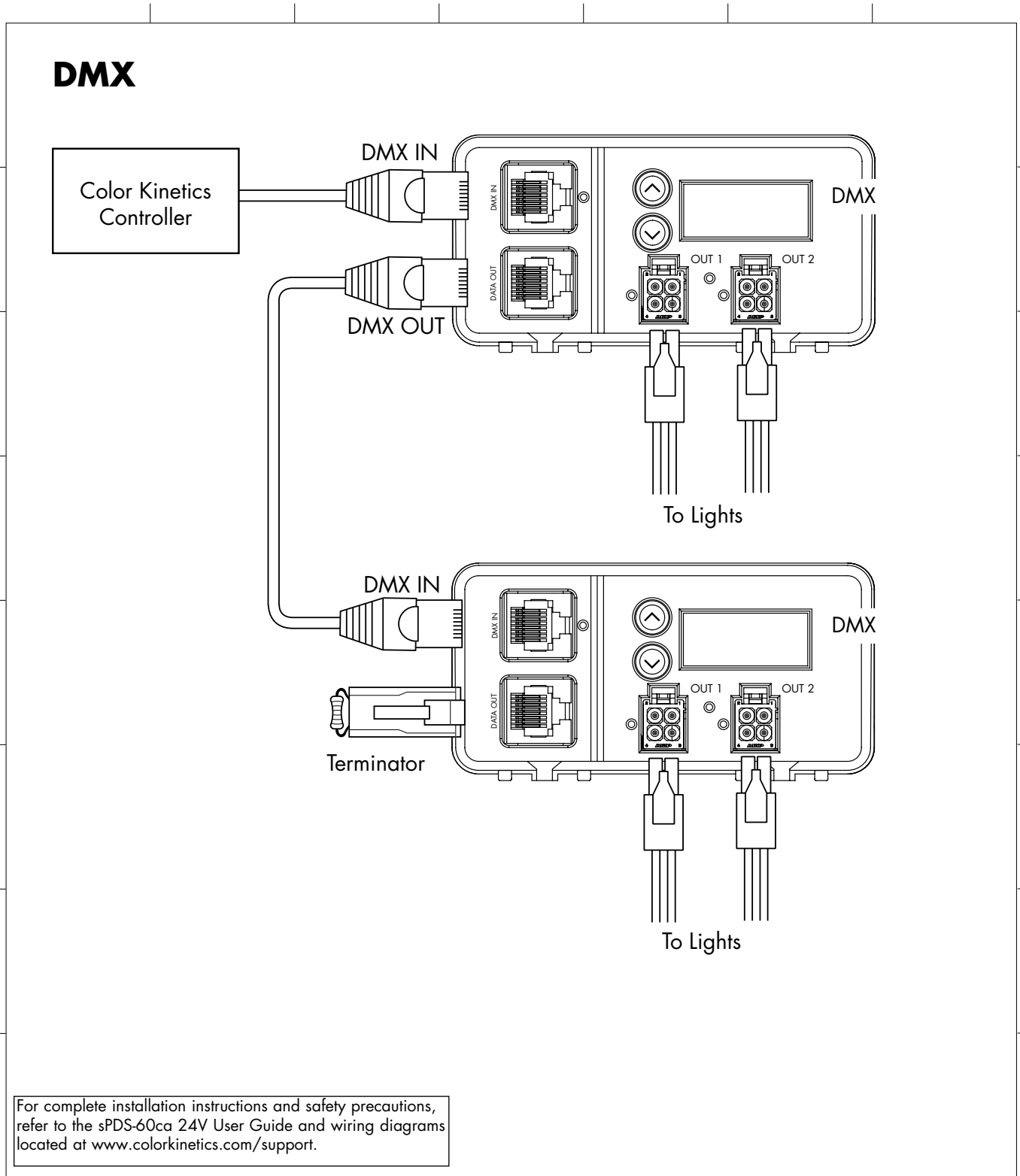
sPDS-60ca 24V

PHYSICAL DIMENSIONS



sPDS-60ca 24V

FUNCTIONAL FLOW DIAGRAM



For complete installation instructions and safety precautions, refer to the sPDS-60ca 24V User Guide and wiring diagrams located at www.colorkinetics.com/support.