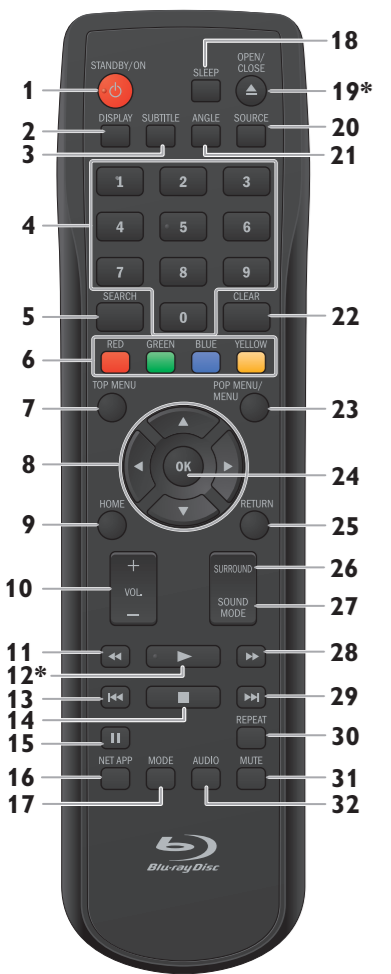
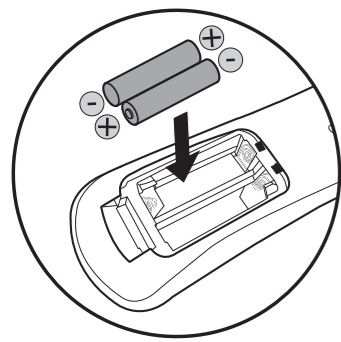


REMOTE CONTROL (ENGLISH)



INSERT BATTERIES
Install 2 AA (1.5V) batteries



(*) The unit can also be turned on by pressing these buttons.

- STANDBY/ON** button
Press to turn on the unit, or to switch the unit into standby mode. (To completely turn off the unit, you must unplug the AC power cord.)
- DISPLAY** button
Press to display the on-screen display menu.
- SUBTITLE** button
Press to select subtitles on a disc.
- Number buttons**
Press to select a chapter during playback.
Press to enter numbers in the input field.
- SEARCH** button
Press to display the search menu.
- RED / GREEN / BLUE / YELLOW** buttons
Press to activate shortcut keys on some BD-video functions. When file list is shown, press to switch between pages.
- TOP MENU** button
Blu-ray Disc™: Press to display the top menu.
DVD: Press to display the title menu.
- ▲ / ▼ / ◀ / ▶** buttons
Press to select items or settings.
- HOME** button
Press to display the home menu.
- VOL. + / -** button
Press to adjust the volume.
- ◀◀ (reverse)** button
During playback, press to fast reverse the playback.

- (play) button***
Press to start playback or resume playback.
- ◀◀ (skip) button**
During playback, press once to return to the beginning of the current title, chapter, track or file.
During playback, press twice to return to the previous title, chapter, track or file.
- (stop) button**
Press to stop playback.
- || (pause) button**
Press to pause playback.
- NET APP** button
Press to display the network application menu.
- MODE** button
During playback, press to display the play menu.
- SLEEP** button
Press to set the sleep timer.
- OPEN/CLOSE ▲ button***
Press to open or close the disc tray.
- SOURCE** button
Press to switch the active source mode; home menu (Disc / SD Memory Card / Network), "Aux", "Coaxial", "MP3 Line-in" or "FM".
- ANGLE** button
Press to select camera angles on a disc.
- CLEAR** button
Press to clear the information once entered.
- POP MENU/MENU** button
Blu-ray Disc™: Press to display the pop menu.
DVD: Press to display the disc menu.
- OK** button
Press to confirm or select menu items.
- RETURN** button
Press to return to the previously displayed menu or screen function.
- SURROUND** button
Press to select surround mode.
- SOUND MODE** button
Press to select a sound effect mode.
- ▶▶ (forward) button**
During playback, press to fast forward the playback.
- ▶▶| (skip) button**
During playback, press to skip to the next chapter, track or file.
- REPEAT** button
Press to select repeat mode.
- MUTE** button
Press to mute the volume.
- AUDIO** button
Press to select the audio channel (such as audio languages) on a disc.

Note
• When the unit receives a signal from the remote control, STANDBY/ON indicator on the front panel flashes.

See the Online Manual for details: www.MAGNAVOX.com

TROUBLESHOOTING

Problem	Tip
No reaction to the remote control.	<ul style="list-style-type: none"> Connect the product to the power outlet. Point the remote control at the product. Insert the batteries with the correct polarity. Insert new batteries in the remote control.
No video signal on the display device.	<ul style="list-style-type: none"> Turn on the TV. Set the TV to the correct external input. Select the correct video resolution in the "Video Resolution" in the setup menu. Press and hold [PLAY ▶] on the front panel for 5 seconds to change the setting back to its default.
No audio / video signal on the display device via HDMI cable.	<ul style="list-style-type: none"> If the unit is connected to an unauthorized display device with an HDMI cable, the audio / video signal may not be output. Perform an HDMI cable hotplug, wherein you disconnect the HDMI cable from the TV and this unit and then reconnect it to both the devices while they are powered on. Ensure that your HDMI cable is certified.
No high-definition video signal on the TV screen.	<ul style="list-style-type: none"> Does the disc contain high-definition video? High-definition video is not available when the disc does not contain it. Does the TV support high-definition video? High-definition video is not available when the TV does not support it.
No audio signal from the loudspeakers of the TV connected via an HDMI cable.	<ul style="list-style-type: none"> Set "Audio Output" to "HDMI Normal" or "HDMI LPCM" in the setup menu. Ensure that the TV speakers are turned on in the TV menu. Ensure that the TV speakers are not muted.
No audio from the speaker system.	<ul style="list-style-type: none"> Increase the volume level of the speaker system. Set "Audio Output" to "Speakers" in the setup menu. Make sure that audio is not muted. Make sure you have selected the correct active source for external audio input.
To listen to the TV sound from this unit.	<ul style="list-style-type: none"> Please connect the TV using an audio cable. Refer to "Connection to the TV and Speakers". Select "Aux" for audio input by pressing [SOURCE].
No audio signal from the loudspeakers of the TV connected via a video cable.	<ul style="list-style-type: none"> When this unit and the TV are connected using a video cable, it is impossible to listen to the audio of this unit from the TV speakers. Please connect the TV using an HDMI cable.
No 5.1-channel audio from the speaker system.	<ul style="list-style-type: none"> Does the disc contain 5.1-channel audio? The 5.1-channel audio is not available when the disc does not contain it. Set "Audio Output" to "Speakers" in the setup menu. Make sure that the surround mode is not set to "2.1ch Stereo". When listening to a stereo (2 channel) source, press [SURROUND] and select "Dolby Pro Logic II Music" or "Dolby Pro Logic II Movie" to upmix the stereo source to 5.1 channel surround.
When I press [SURROUND] on my HTS remote while playing movies, I only get "Direct" and "2.1ch Stereo" as available surround modes.	<ul style="list-style-type: none"> Most movies have multi-channel audio tracks, i.e. 5.1 channel or 7.1 channel audio in DTS®, Dolby or PCM. Virtual surround modes such as "Multi ch Stereo", "Dolby Pro Logic II Movie" or "Dolby Pro Logic II Music" are not available (and not necessary) when the source audio is already multi-channel. It is best to use Surround = Direct in such cases as it enables the appropriate multi-channel decoder.
Cannot play back a disc.	<ul style="list-style-type: none"> Make sure that the product supports the disc. Check the region code of the disc. This unit supports the following region codes: <ul style="list-style-type: none"> Blu-ray Disc™: "A" DVD: "ALL" or "1" Clean the disc.
Cannot connect to the network.	<ul style="list-style-type: none"> Check if the network connection is properly made. Turn on the modem or router. Check the network settings. Check if the router and/or modem is correctly connected. Check the BD-Live™ setting in "Manual" setup. When connecting directly to a modem via a LAN cable, you might need to power cycle the modem to reset the settings in the modem.
Cannot use the wireless connection.	<ul style="list-style-type: none"> Once you have activated the wireless connection please wait 30 seconds for the connection to be established after turning on the unit, before trying to access network features such as BD-Live™, DLNA home network server, Netflix, Film Fresh, Blockbuster, VUDU and Pandora.

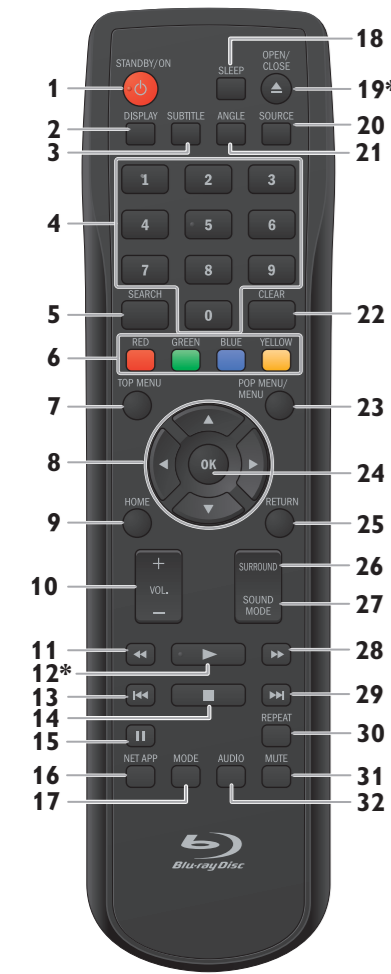
Problem	Tip
Cannot connect to the network while my PC is connected to the network.	<ul style="list-style-type: none"> Check the content of your Internet service contract to see if your Internet Service Provider prevents multiple terminals connecting at the same time.
Cannot use the BD-Live™ function or download of data does not perform properly.	<ul style="list-style-type: none"> Insert an SD Memory Card before inserting the disc. Insert an SD Memory Card with enough capacity (1GB or more). Check if an SD Memory Card is correctly inserted. Make sure the write-protect switch on the SD Memory Card is not enabled.
Folder or files stored on DLNA home media server are not displayed in the file list or cannot be played back.	<ul style="list-style-type: none"> Check the setting on your home media server. (Refer to the user manual of the home media server). Check the network connection and settings.
Cannot use Netflix feature.	<ul style="list-style-type: none"> Netflix is available only in the United States. Check if the network connection is properly made. Visit netflix.com/magnavox on your PC and become a Netflix member.
Cannot add movies or TV episodes to the instant Queue.	<ul style="list-style-type: none"> Visit netflix.com on your PC. Adding movies or TV episodes may only be done on the PC, not using this unit.
Even though the speed of the Internet connection improves during playback, the picture quality of Netflix streaming movie does not improve.	<ul style="list-style-type: none"> The picture quality does not change during playback. The picture quality differs depending on the speed of Internet connection at the time the streaming video is loading.
The picture quality of streaming movie (Netflix, Film Fresh or Blockbuster) is poor.	<ul style="list-style-type: none"> Check the speed of your Internet connection. Contact your Internet service provider. (You may need to improve the broadband speed.)
Streaming movie (Netflix, Film Fresh or Blockbuster) often stops or starts buffering during playback.	<ul style="list-style-type: none"> Contact your Internet service provider. (You may need to improve the broadband speed.)
Cannot use Film Fresh / Blockbuster feature.	<ul style="list-style-type: none"> Film Fresh / Blockbuster is available only in the United States. Check if the network connection is properly made. Visit filmfresh.roxionow.com/Login (Film Fresh) or www.blockbuster.com/auth/login (Blockbuster) on your PC and create an account.
Cannot use the VUDU service.	<ul style="list-style-type: none"> Check if the network connection is properly made. VUDU is available only in the United States.
Cannot rent or buy movies / TV shows on VUDU.	<ul style="list-style-type: none"> You need to activate the VUDU account. Log into your account at http://myvudu.com and check your payment information.
The picture quality of VUDU movie is poor.	<ul style="list-style-type: none"> Check the speed of your Internet connection. You need speeds of at least 8 Mbps to this player for high quality uninterrupted playback.
VUDU movie often stops or starts buffering during playback.	<ul style="list-style-type: none"> Contact your Internet service provider to troubleshoot your Internet connection for speed and line quality. Consistent line quality and speed are very important for Internet video playback.
Cannot use Pandora feature.	<ul style="list-style-type: none"> Check if the network connection is properly made. Pandora is available only in the United States. You must create a Pandora account and activate this unit.

SERVICING

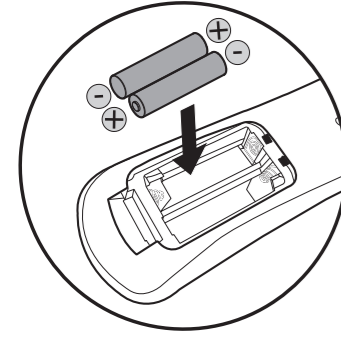
- Please refer to relevant topics on "TROUBLESHOOTING" in the Online Manual before returning the product.
- If this unit becomes inoperative, do not try to correct the problem by yourself. There are no user-serviceable parts inside. Eject the disc (if possible), remove the SD Memory Card, place the unit into the standby mode, unplug the power plug, and please contact: 1-800-605-8610 or visit : www.magnavox.com/support

See the Online Manual for details: www.MAGNAVOX.com

MANDO A DISTANCIA (ESPAÑOL)



INTRODUZCA PILAS
Instale dos pilas AA (1,5V)



(*) La unidad también se puede encender pulsando estos botones.

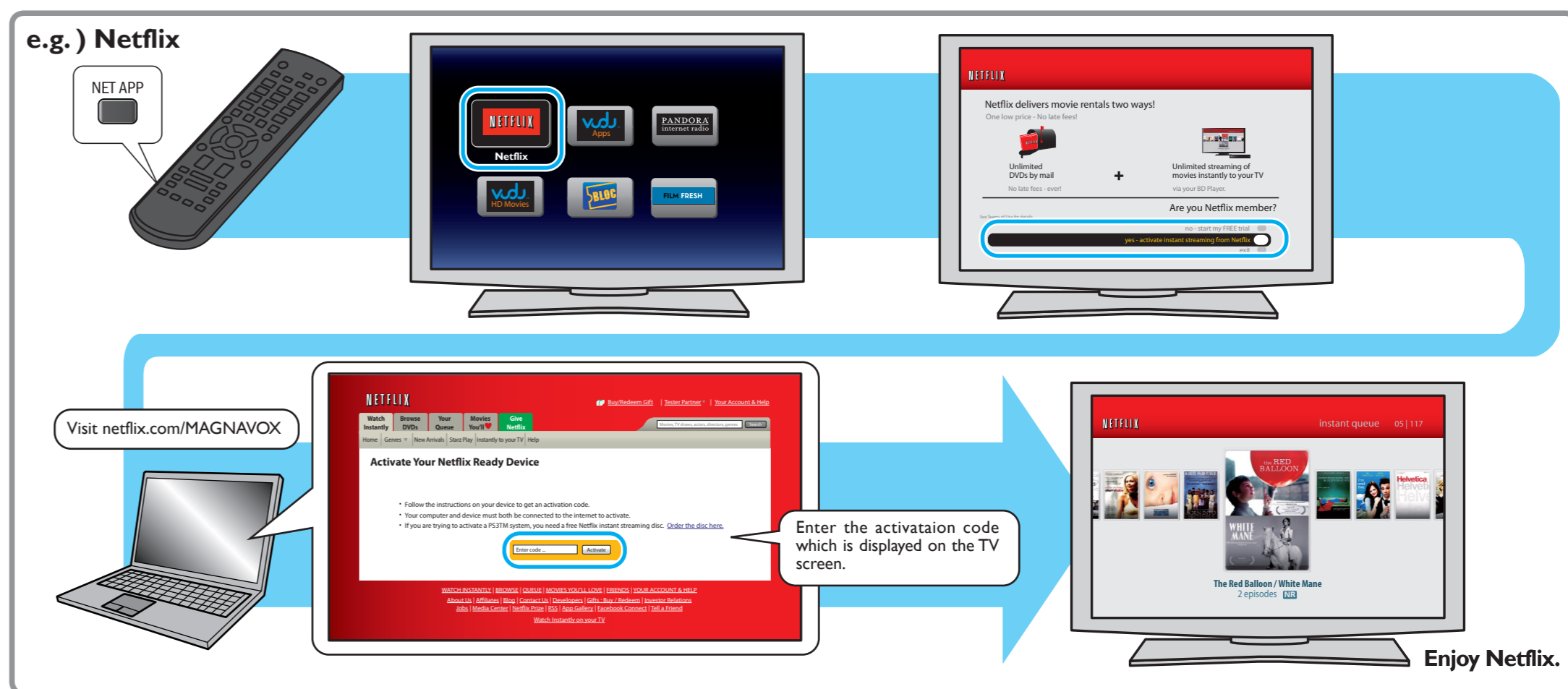
- Botón STANDBY/ON** button
Pulse el botón para encender la unidad, o para pasar la unidad al modo de espera. (Para apagar completamente la unidad, debe desconectar el cable de alimentación de CA.)
- Botón DISPLAY**
Púlselo para visualizar el menú desplegable en pantalla.
- Botón SUBTITLE**
Púlselo para seleccionar los subtítulos de un disco.
- Botones numéricos**
Púlselos para seleccionar un capítulo durante la reproducción.
Púlselos para introducir números en el campo de entrada.
- Botón SEARCH**
Púlselo para mostrar el menú de búsqueda.
- Botones de RED / GREEN / BLUE / YELLOW**
Púlselo para activar las teclas de atajo en algunas funciones de BD-vídeo. Cuando se despliega la lista de archivos, presione para cambiar las páginas.
- Botón TOP MENU**
Blu-ray Disc™: Púlselo para mostrar el menú superior.
DVD: Púlselo para mostrar el menú de títulos.
- Botones de ▲ / ▼ / ◀ / ▶**
Púlselos para seleccionar elementos o configuraciones.
- Botón HOME**
Púlselo para mostrar el menú de inicio.
- Botón VOL. + / -**
Púlselo para ajustar el volumen.

- Botón ◀◀ (reverso)**
Durante la reproducción, púlselo para invertir rápido la reproducción.
- Botón ▶ (reproducir)***
Púlselo para iniciar o reanudar la reproducción.
- Botón ◀◀◀ (saltar)**
Durante la reproducción, púlselo una vez para volver al comienzo del título, capítulo, pista o archivo actual.
Durante la reproducción, pulse dos veces sobre la tecla para volver al título, capítulo, pista o archivo anterior.
Durante la reproducción de archivos JPEG, púlselo para volver al archivo anterior.
- Botón ■ (detener)**
Púlselo para detener la reproducción.
- Botón || (pausar)**
Púlselo para pausar la reproducción.
- Botón NET APP**
Púlselo para visualizar el menú de aplicación de la red.
- Botón MODE**
Durante la reproducción, pulse para ver el menú de reproducción.
- Botón SLEEP**
Púlselo para configurar el temporizador.
- Botón OPEN/CLOSE ▲***
Púlselo para cerrar o abrir la bandeja para discos.
- Botón SOURCE**
Púlselo para cambiar el modo de fuente activa; menú de inicio (Disco / Tarjeta de memoria SD / Red), "Aux", "Coaxial", "Entrada línea MP3" o "FM".
- Botón ANGLE**
Púlselo para seleccionar los ángulos de cámara de un disco.
- Botón CLEAR**
Púlselo para borrar la información una vez que se ha introducido.
- Botón POP MENU/MENU**
Blu-ray Disc™: Púlselo para mostrar el menú emergente.
DVD: Púlselo para mostrar el menú del disco.
- Botón OK**
Púlselo para confirmar o seleccionar elementos de menú.
- Botón RETURN**
Púlselo para volver a la pantalla de funciones o menú mostrado anteriormente.
- Botón SURROUND**
Púlselo para seleccionar el modo envolvente.
- Botón SOUND MODE**
Púlselo para seleccionar un modo con efecto de sonido.
- Botón ▶▶ (adelantar)**
Durante la reproducción, púlselo para avanzar rápido la reproducción.
Cuando la reproducción esté en modo de pausa, púlselo para avanzar lentamente la reproducción.
- Botón ▶▶| (saltar)**
Durante la reproducción, púlselo para saltar al siguiente capítulo, pista o archivo.
Cuando la reproducción esté en modo de pausa, púlselo para avanzar la reproducción imagen a imagen.
- Botón REPEAT**
Presione para seleccionar el modo de repetición.
- Botón MUTE**
Púlselo para silenciar el volumen.
- Botón AUDIO**
Púlselo para seleccionar el canal de sonido (como idiomas de sonido) de un disco.

Note
• Cuando la unidad recibe una señal del control remoto, Indicador del STANDBY/ON parpadea en el panel delantero.

See the Online Manual for details: www.MAGNAVOX.com

ACTIVATING NETWORK FEATURES



The image of the menu screen may change without notice. For other network applications, please see the Online Manuals for details.

Network operations

You are required to set up an account before using the following features. Please visit the links below by PC before use.

	Visit www.vudu.com		Visit filmfresh.roxionow.com/Login
	Visit www.blockbuster.com/auth/login		Visit www.pandora.com/magnavox
	Visit netflix.com/MAGNAVOX		

See the Online Manual for details: www.MAGNAVOX.com

INFORMATION SHEET

SAFETY INSTRUCTIONS

The model and serial numbers of this unit may be found on the cabinet. You should record and retain those numbers for future reference.

Model No.:
Serial No.:

WARNING:
TO REDUCE THE RISK OF FIRE OR ELECTRIC SHOCK, DO NOT EXPOSE THIS APPARATUS TO RAIN OR MOISTURE. APPARATUS SHALL NOT BE EXPOSED TO DRIPPING OR SPLASHING AND NO OBJECTS FILLED WITH LIQUIDS, SUCH AS VASES, SHALL BE PLACED ON THE APPARATUS.

CAUTION
RISK OF ELECTRIC SHOCK
DO NOT OPEN

CAUTION:
TO REDUCE THE RISK OF ELECTRIC SHOCK, DO NOT REMOVE COVER (OR BACK). NO USER SERVICEABLE PARTS INSIDE. REFER SERVICING TO QUALIFIED SERVICE PERSONNEL.

The important note and rating are located on the rear or bottom of the cabinet.

The lightning flash with arrowhead symbol, within an equilateral triangle, is intended to alert the user to the presence of uninsulated "dangerous voltage" within the product's enclosure that may be of sufficient magnitude to constitute a risk of electric shock to persons.

The exclamation point within an equilateral triangle is intended to alert the user to the presence of important operating and maintenance (servicing) instructions in the literature accompanying the appliance.

The symbol for CLASS II (Double Insulation)

IMPORTANT SAFETY INSTRUCTIONS

- Read these instructions.
- Keep these instructions.
- Heed all warnings.
- Follow all instructions.
- Do not use this apparatus near water.
- Clean only with dry cloth.
- Do not block any ventilation openings. Install in accordance with the manufacturer's instructions.
- Do not install near any heat sources such as radiators, heat registers, stoves, or other apparatus (including amplifiers) that produce heat.
- Do not defeat the safety purpose of the polarized or grounding-type plug. A polarized plug has two blades with one wider than the other. A grounding type plug has two blades and a third grounding prong. The wide blade or the third prong are provided for your safety. If the provided plug does not fit into your outlet, consult an electrician for replacement of the obsolete outlet.
- Protect the power cord from being walked on or pinched particularly at plugs, convenience receptacles, and the point where they exit from the apparatus.
- Only use attachments/accessories specified by the manufacturer.
- Use only with the cart, stand, tripod, bracket, or table specified by the manufacturer, or sold with the apparatus. When a cart is used, use caution when moving the cart / apparatus combination to avoid injury from tip-over.
- Unplug this apparatus during lightning storms or when unused for long periods of time.
- Refer all servicing to qualified service personnel. Servicing is required when the apparatus has been damaged in any way, such as power-supply cord or plug is damaged, liquid has been spilled or objects have fallen into the apparatus, the apparatus has been exposed to rain or moisture, does not operate normally, or has been dropped.

FCC WARNING
This equipment may generate or use radio frequency energy. Changes or modifications to this equipment may cause harmful interference unless the modifications are expressly approved in the manual. The user could lose the authority to operate this equipment if an unauthorized change or modification is made. This transmitter must be co-located or operated in conjunction with any other antenna or transmitter.

RADIO-TV INTERFERENCE
This equipment has been tested and found to comply with the limits for a Class B digital device, pursuant to Part 15 of the FCC Rules. These limits are designed to provide reasonable protection against harmful interference in a residential installation. This equipment generates, uses, and can radiate radio frequency energy and, if not installed and used in accordance with the instructions, may cause harmful interference to radio communications. However, there is no guarantee that interference will not occur in a particular installation. If this equipment does cause harmful interference to radio or television reception, which can be determined by turning the equipment off and on, the user is encouraged to try to correct the interference by one or more of the following measures:

- Reorient or relocate the receiving antenna.
- Increase the separation between the equipment and receiver.
- Connect the equipment into an outlet on a circuit different from that to which the receiver is connected.
- Consult the dealer or an experienced radio / TV technician for help.

This Class B digital apparatus complies with Canadian ICES-003.
Cet appareil numérique de la classe B est conforme à la norme NMB-003 du Canada.

Disconnect the mains plug to shut off when find trouble or not in use. The mains plug shall remain readily operable.

CAUTION: Danger of explosion if battery is incorrectly replaced. Replace only with the same or equivalent type.
WARNING: Batteries (Battery pack or battery installed) shall not be exposed to excessive heat such as sunshine, fire or the like.

LASER SAFETY
This apparatus is classified as a CLASS 1 LASER PRODUCT.
This apparatus employs a laser. Only a qualified service person should remove the cover or attempt to service this apparatus, due to possible eye injury.
CAUTION: Use of controls or adjustments or performance of procedures other than those specified herein may result in hazardous radiation exposure.

IMPORTANT COPYRIGHT INFORMATION
Unauthorized copying, broadcasting, public performance and lending of discs are prohibited. This item incorporates copy protection technology that is protected by U.S. patents and other intellectual property rights of Rovi Corporation. Reverse engineering and disassembly are prohibited.

Do not place the unit on the furniture that is capable of being tilted by a child and an adult leaning, pulling, standing or climbing on it. A falling unit can cause serious injury or even death.

This apparatus should not be placed in a built-in installation such as a bookcase or rack unless proper ventilation is provided. Make sure to leave a space of 7.8 inches (20cm) or more around this apparatus.

LIMITED WARRANTY

FUNAI CORP. will repair this product, free of charge in the USA in the event of defect in materials or workmanship as follows:

DURATION:

PARTS: FUNAI CORP. will provide parts to replace defective parts without charge for one (1) year from the date of original retail purchase. Certain parts are excluded from this warranty.

LABOR: FUNAI CORP. will provide the labor without charge for a period of ninety (90) days from the date of original retail purchase.

Note: Any product sold and identified as refurbished or renewed carries a ninety (90) days labor and parts limited warranty.

LIMITS AND EXCLUSIONS:
THIS WARRANTY IS EXTENDED ONLY TO THE ORIGINAL RETAIL PURCHASER. A PURCHASE RECEIPT OR OTHER PROOF OF ORIGINAL RETAIL PURCHASE WILL BE REQUIRED TOGETHER WITH THE PRODUCT TO OBTAIN SERVICE UNDER THIS WARRANTY.

This warranty shall not be extended to any other person or transferee.
This warranty is void and of no effect if any serial numbers on the product are altered, replaced, defaced, missing or if service was attempted by an unauthorized service center. This limited warranty does not apply to any product not purchased and used in the United States.

This warranty only covers failures due to defects in material or workmanship which occur during normal use. It does not cover damage which occurs in shipment, or failures which are caused by repairs, alterations or products not supplied by FUNAI CORP., or damage, which results from accident, misuse, abuse, mishandling, misapplication, alteration, faulty installation, improper maintenance, commercial use such as hotel, rental or office use of this product, or damage which results from fire, flood, lightning or other acts of God. THIS WARRANTY DOES NOT COVER PACKING MATERIALS, ANY ACCESSORIES (EXCEPT REMOTE CONTROL), ANY COSMETIC PARTS, COMPLETE ASSEMBLY PARTS, DEMO OR FLOOR MODELS.

FUNAI CORP. AND ITS REPRESENTATIVES OR AGENTS SHALL IN NO EVENT BE LIABLE FOR ANY GENERAL, INDIRECT OR CONSEQUENTIAL DAMAGES ARISING OUT OF OR OCCASIONED BY THE USE OF OR THE INABILITY TO USE THIS PRODUCT. THIS WARRANTY IS MADE IN LIEU OF ALL OTHER WARRANTIES, EXPRESS OR IMPLIED, AND OF ALL OTHER LIABILITIES ON THE PART OF FUNAI, ALL OTHER WARRANTIES INCLUDING THE WARRANTY OF MERCHANTABILITY AND FITNESS FOR A PARTICULAR PURPOSE, ARE HEREBY DISCLAIMED BY FUNAI AND ITS REPRESENTATIVES IN THE UNITED STATES.

ALL WARRANTY INSPECTIONS AND REPAIRS MUST BE PERFORMED BY AN AUTHORIZED SERVICE CENTER. THIS WARRANTY IS ONLY VALID WHEN THE UNIT IS CARRIED-IN TO AN AUTHORIZED SERVICE CENTER. THE PRODUCT MUST BE ACCOMPANIED BY A COPY OF THE ORIGINAL RETAIL PURCHASE RECEIPT. IF NO PROOF OF PURCHASE IS ATTACHED, THE WARRANTY WILL NOT BE HONORED AND REPAIR COSTS WILL BE CHARGED.

IMPORTANT:
THIS LIMITED WARRANTY GIVES YOU SPECIFIC LEGAL RIGHTS. YOU MAY HAVE OTHER RIGHTS THAT VARY FROM STATE TO STATE. IF AT ANY TIME DURING THE WARRANTY PERIOD, YOU ARE UNABLE TO OBTAIN SATISFACTION WITH THE REPAIR OF THIS PRODUCT, PLEASE CONTACT FUNAI CORP.

ATTENTION:
FUNAI CORP. RESERVES THE RIGHT TO MODIFY ANY DESIGN OF THIS PRODUCT WITHOUT PRIOR NOTICE.

WARRANTY STATEMENT REGARDING NON AUTHORIZED REPAIRS:
To obtain warranty service, you must take the product, or deliver the product freight prepaid, in either its original packaging or packaging affording an equal degree of protection, to any AUTHORIZED SERVICE CENTER. FUNAI CORP. will not reimburse you for any service done by unauthorized service providers without prior written approval.

To locate your nearest AUTHORIZED SERVICE CENTER or for general service inquiries, please contact us at:
FUNAI SERVICE CORPORATION
Tel: 1-800-605-8610
www.magnavox.com/support
2200 Spiegel Drive Groveport, OH 43125

Printed in China

1VMN30954 ★★★★★



INSTRUCCIONES DE SEGURIDAD

ADVERTENCIA:
PARA REDUCIR EL RIESGO DE QUE SE PRODUZCA UN INCENDIO O SE RECIBA UNA DESCARGA ELÉCTRICA, NO EXPONGA ESTE APARATO A LA LLUVIA NI A LA HUMEDAD. NO SE DEBERÁ EXPONER EL APARATO NI A GOTERAS NI A SALPICADURAS, Y NO DEBERÁ COLOCARSE NINGÚN OBJETO QUE CONTENGA LÍQUIDOS SOBRE EL APARATO, COMO POR EJEMPLO JARRONES.

CAUTION
RISK OF ELECTRIC SHOCK
DO NOT OPEN

AVISO:
PARA REDUCIR EL RIESGO DE SUFRIR UNA DESCARGA ELÉCTRICA NO quite la cubierta (o el panel posterior). EN EL INTERIOR DEL APARATO NO HAY PIEZAS QUE DEBA MANIPULAR EL USUARIO. SOLICITE EL SERVICIO DE REPARACIONES AL PERSONAL DE SERVICIO CUALIFICADO.

Las notas importantes y la calificación se encuentran ubicadas en la parte posterior o inferior del gabinete.

The symbol of the lightning bolt with arrowhead, within an equilateral triangle, is intended to alert the user to the presence of "dangerous voltage" within the product's enclosure that may be of sufficient intensity to constitute a risk of electric shock to persons.

The exclamation point within an equilateral triangle is intended to alert the user to the presence of instructions of utilization and maintenance (service) in the material printed which accompanies the apparatus.

The symbol for CLASS II (double insulation)

IMPORTANTES INSTRUCCIONES DE SEGURIDAD

- Lea estas instrucciones.
- Conserve estas instrucciones.
- Preste atención a las advertencias.
- Siga todas las instrucciones.
- No utilice este aparato cerca del agua.
- Limpie el aparato sólo con un paño seco.
- No obstruya ninguna de las ranuras de ventilación. Realice la instalación según las instrucciones del fabricante.
- No instale el equipo cerca de elementos para calefaccionar tales como radiadores, rejillas de calefacción, estufas eléctricas u otros aparatos (incluidos amplificadores).
- No desarme el dispositivo de seguridad del enchufe polarizado o con conexión a tierra. Un enchufe polarizado contiene dos clavijas, una más ancha que otra. Un enchufe con conexión a tierra contiene dos clavijas y una tercera clavija con conexión a tierra. La clavija ancha del enchufe polarizado o la clavija de conexión a tierra representan dispositivos de seguridad. Si el enchufe del aparato no entra en la toma corriente, consulte con un electricista para reemplazar sus antiguos tomacorrientes.
- Asegúrese de proteger el cable de alimentación de las pisadas o torsiones especialmente en la zona de la clavija, en el receptáculo y en el punto donde el cable sale del aparato.
- Utilice únicamente los accesorios que especifica el fabricante.
- Utilice únicamente el carro, atril, trípode, soporte o la mesa que especifica el fabricante o que se vendió junto con el aparato. Cuando utilice un carro, sea cuidadoso al trasladar el conjunto carro/aparato para evitar daños por caídas de objetos.
- Desenchufe este aparato si hay tormentas eléctricas o durante largos períodos de inactividad.
- Confíe el servicio técnico sólo a personal calificado. El servicio técnico es necesario cuando el aparato sufre algún tipo de daño, por ejemplo cuando se dañan los cables de suministro eléctrico o la clavija, cuando se derrama líquido o se caen objetos sobre el aparato, cuando se lo expone a la lluvia o a humedad, cuando no funciona adecuadamente o cuando se cae.

TRADEMARK INFORMATION



Manufactured under license from Dolby Laboratories. "Dolby", "Pro Logic", and the double-D symbol are trademarks of Dolby Laboratories.



Manufactured under license under U.S. Patent #s: 5,451,942; 5,956,674; 5,974,380; 5,978,762; 6,226,616; 6,487,535; 7,392,195; 7,272,567; 7,333,929; 7,212,872 & other U.S. and worldwide patents issued & pending. DTS and the Symbol are registered trademarks, & DTS-HD, DTS-HD Master Audio | Essential and the DTS logos are trademarks of DTS, Inc. Product includes software. © DTS, Inc. All Rights Reserved.



HDMI, the HDMI Logo, and High-Definition Multimedia Interface are trademarks or registered trademarks of HDMI Licensing LLC in the United States and other countries.

x.v.Color

"x.v.Color" and "x.v.Color" logo are trademarks of Sony Corporation.



Java and all Java based trademarks and logos are trademarks or registered trademarks of Oracle and/or its affiliates.



VUDU™ is a trademark of VUDU, Inc.



Netflix and the Netflix logo are trademarks or registered trademarks of Netflix, Inc.



BLOCKBUSTER name, design and related marks are trademarks of Blockbuster Inc.



Film Fresh and the Film Fresh logo are registered trademarks of Film Fresh Inc.



Pandora is a registered trademark of Pandora Media, Inc.



DLNA®, the DLNA Logo and DLNA CERTIFIED® are trademarks, service marks, or certification marks of the Digital Living Network Alliance.



The Wi-Fi CERTIFIED Logo is a certification mark of the Wi-Fi Alliance.



Windows Media and the Windows logo are trademarks or registered trademarks of Microsoft Corporation in the United States and/or other countries.



Kodak and KODAK Picture CD Compatible are trademarks of Kodak used under license.



"AVCHD" and the "AVCHD" logo are trademarks of Panasonic Corporation and Sony Corporation.



"Blu-ray Disc™", "Blu-ray™" and "Blu-ray Disc™" logo are trademarks of the Blu-ray Disc Association.

DVD is a trademark of DVD Format/Logo Licensing Corporation.

SPECIFICATIONS

	General
Signal System	NTSC Color
Power requirements	120V AC, 60 Hz
Power consumption	70 W (standby: 0.6 W)
Total output power (Amplifier)	Home theater mode: 1000 W FTC* output power: 700 W * (Main Ch @ 1 kHz within 10 % THD, Sub Ch 60 Hz within 2.5 % THD)
Dimensions (width x height x depth)	17.2 x 2.4 x 11.7 inches (435 x 59 x 297 mm)
Weight	Total weight: 27.6 lbs. (12.5 kg) Main unit: 8.2 lbs. (3.7 kg)
Operating temperature	41°F (5°C) to 104°F (40°C)
Operating humidity	Less than 80 % (no condensation)

	Terminals
SD CARD slot (slot x 1)	
MP3 LINE-IN jack (mini jack x 1)	500 mVp-p (75Ω)
Analog audio output (SPEAKERS (4Ω))	
Front and rear speakers	System: Full range satellite Impedance: 4Ω Frequency response: 180 Hz ~ 20 kHz Dimensions: 4.0 x 5.2 x 4.0 inches (100 x 130 x 100.5 mm) Speaker cable length: front - 118.1 inches (3000 mm) rear - 360.2 inches (9150 mm) Weight: front - 1.19 lbs. (0.54 kg) rear - 1.13 lbs. (0.51 kg)
Center speaker	System: Full range satellite Impedance: 4Ω Frequency response: 180 Hz ~ 20 kHz Dimensions: 4.0 x 5.2 x 4.0 inches (100 x 130 x 100.5 mm) Speaker cable length: 118.1 inches (3000 mm) Weight: 1.61 lbs. (0.73 kg)
Subwoofer	Impedance: 4Ω Speaker drivers: 6.5 inches (160 mm) woofer Frequency response: 60 Hz ~ 150 Hz Dimensions: 5.9 x 12.3 x 12.2 inches (149.5 x 310.5 x 308 mm) Speaker cable length: 169.3 inches (4300 mm) Weight: 8.29 lbs. (3.76 kg)
Video output (RCA jack x 1)	1 Vp-p (75Ω)
Analog audio input (AUX) (RCA jacks (L/R) x 1)	L/R: 2 Vrms (47kΩ)
Digital audio input (COAXIAL) (RCA jack x 1)	500 mVp-p (75Ω)
HDMI output (HDMI jack x 1)	Digital video: 480p, 720p, 1080i, 1080p, 1080p24/ Digital audio
LAN terminal	10BASE-T / 100BASE-TX
Wireless LAN (Internal)	IEEE 802.11 b/g/n
RADIO (FM ANT 75Ω jack x 1)	Tuning range: FM 87.5 - 108 MHz (100kHz) Antenna terminal: 75Ω (unbalanced)

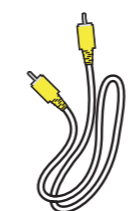
Note

- The specifications and design of this product are subject to change without notice.

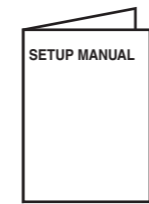
SUPPLIED ACCESSORIES



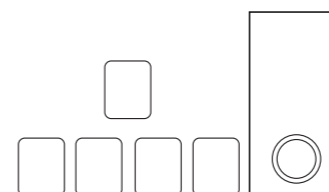
- Remote Control (NC004UD)
- Batteries (AA, 1.5V x 2)



Video cable



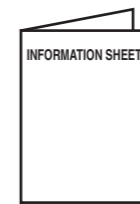
SETUP MANUAL



1 center, 2 front, 2 rear speakers and 1 subwoofer



FM wire antenna



INFORMATION SHEET

