

QuickLock Thread Adapter

Simple Installation with QuickLock Fast Locking Mechanism

Microscope Turret



Knurled Ring



Turret Ring



PIFOC®



Objective Ring

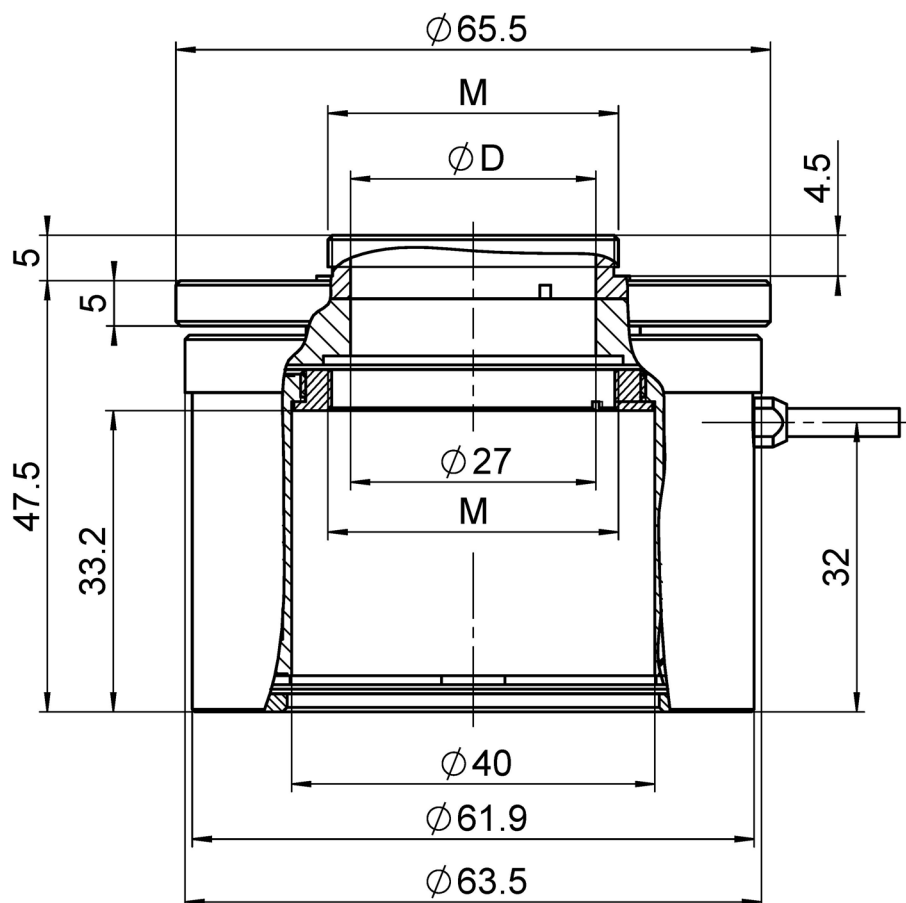


Objective

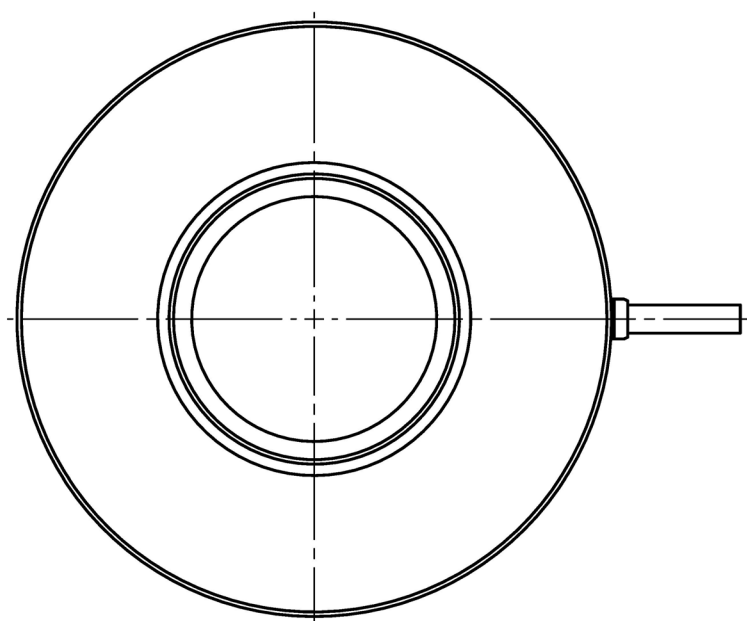
P-726

- The PIFOC® is inserted between the revolving nosepiece and the objective using the QuickLock fast locking adapter. After screwing the adapter into the revolving nosepiece, the PIFOC® contained is fixed to the desired orientation. Since the objective positioner itself does not have to be rotated, cabling is no longer an issue

Drawings and Images



Quicklock	M	D
P-726.04	M28x0.75	23
P-726.05	M32x0.75	27
P-726.06	M26x1/36"	21
P-726.11	M25x0.75	21
P-726.12	W0.8x1/36"	16



P-726 with QuickLock adapter, dimensions in mm

Ordering Information

QuickLock Adapter

P-726.04

P-726 PIFOC Thread adapter M28 × 0.75

P-726.05

P-726 PIFOC Thread adapter M32 × 0.75

P-726.06

P-726 PIFOC Thread adapter M26 × 1/36"

P-726.11

P-726 PIFOC Thread adapter M25 × 0.75

P-726.12

P-726 PIFOC Thread adapter W0.8 × 1/36"