

NEED FINAL NAME AND  
PHOTO FROM PACKAGE

**Brookstone®**

---

# BIG BLUE **STUDIO**

WIRELESS **ROOM-FILLING** SOUND



 Chromecast built-in

## TABLE OF CONTENTS

Warnings and Cautions.....	1
FCC Information.....	4
Location of Parts and Controls.....	6
Downloading Free App.....	8
Power.....	9
Wi-Fi Set Up.....	10
Playing Audio with Wi-Fi.....	10
Using Google Cast™.....	10
Pairing Your Device with Bluetooth®.....	11
Playing Audio with Bluetooth®.....	12
Using Aux In.....	13
LED Ring On/Off.....	13
Compatibility.....	14
Care and Maintenance.....	14
Accessing Additional Information.....	14
Specifications.....	15
Warranty.....	16

## CAUTION

- TO REDUCE THE RISK OF ELECTRIC SHOCK, DO NOT REMOVE COVER. THERE ARE NO SERVICEABLE PARTS INSIDE.
- TO REDUCE THE RISK OF FIRE OR ELECTRIC SHOCK, DO NOT EXPOSE THIS UNIT TO RAIN OR MOISTURE.



The lightning flash with arrow-head symbol within an equilateral triangle is intended to alert the user to the presence of uninsulated “dangerous voltage” within the unit’s enclosure that may be of sufficient magnitude to constitute a risk of electric shock.



The exclamation point within an equilateral triangle is intended to alert the user to the presence of important operating and maintenance (servicing) instructions in the literature accompanying the unit.

## IMPORTANT SAFETY INSTRUCTIONS

All the safety and operating instructions should be read, heeded, adhered to and followed before the unit is operated.

## SAFETY AND HANDLING INFORMATION

For maximum product life, do not drop, throw or crush the speaker. Do not expose it to humidity, dust, or operating temperatures outside 32°F to 113°F (0°C to 45°C).

### SAVE THESE INSTRUCTIONS!

#### DANGER

To reduce the risk of electric shock, burns, fire or injury:

1. Do not use while bathing or in a shower.
2. Do not place or store unit where it can fall or be pulled into a tub or sink.
3. Do not place in, drop or submerge in water or other liquid.
4. Do not reach for a unit that has fallen into water. Unplug it immediately.
5. Care should be taken so that objects do not fall and liquids are not spilled onto the unit.

#### WARNING

1. Close supervision is necessary when this appliance/product is used by or near children or mentally disabled individuals.
2. Use this unit only for its intended use as described in this manual.
3. Unplug this unit during lightning storms or when unused for long periods of time.
4. Never drop or insert an object into any opening.
5. Protect the power cord from being walked on or pinched, particularly at plug outlets, convenience receptacles and the point where it exits the unit.
6. Do not allow cord to touch hot surfaces. Wrap cord loosely around the unit when storing.
7. The unit should be situated away from direct sunlight or heat sources such as radiators, electric heaters, heat registers, stoves, or other units (including amplifiers) that produce heat. Avoid placing on top of stereo equipment that radiates heat.
8. Never block the air openings of the unit with materials such as clothing, plastic bags or papers, or place it on a soft surface such as a bed or couch, where the air openings may be blocked.
9. Do not overload the electrical outlet. Use the power source only as indicated.
10. Do not carry this unit by its cord or use the cord as a handle.
11. Never operate this unit if it has a damaged cord or plug, if it is not working properly, or if it has been dropped or damaged, or dropped into water. If the unit's power supply cord or plug is damaged, do not attempt to fix it yourself.
12. To avoid the risk of electric shock, do not disassemble or attempt to repair the

unit. Incorrect repair can cause risk of electric shock or injury to persons when the unit is used.

13. Do not operate in the presence of explosive and/or flammable fumes.
14. Never remove the plug from the outlet by pulling the power cord.

## FCC INFORMATION

**Caution:** Changes or modifications not expressly approved by the party responsible for compliance could void the user's authority to operate the equipment.

This equipment has been tested and found to comply with the limits for a Class B Digital Device, pursuant to Part 15 of the FCC Rules. These limits are designed to provide reasonable protection against harmful interference in a residential installation. This equipment generates, uses, and can radiate radio frequency energy and, if not installed and used in accordance with the instructions, may cause harmful interference to radio communications. However, there is no guarantee that interference will not occur in a particular installation.

If this equipment does cause harmful interference to radio or television reception, which can be determined by turning the equipment off and on, the user is encouraged to try to correct the interference by one or more of the following measures:

- Reorient or relocate the receiving antenna.
- Increase the distance between the equipment and receiver.
- Connect the equipment to an outlet on a circuit different from that to which the receiver is connected.
- Consult the dealer or an experienced radio/TV technician for help.

This equipment complies with Part 15 of the FCC Rules. Operation is subject to the following two conditions:

1. This equipment may not cause harmful interference.
2. This equipment must accept any interference received, including interference that may cause undesired operation.

Modifications not authorized by the manufacturer may void the user's authority to operate this device.

### FCC Radiation Exposure Statement:

This equipment complies with FCC radiation exposure limits set forth for an uncontrolled environment.

**This transmitter must not be co-located or operating in conjunction with any other antenna or transmitter.**

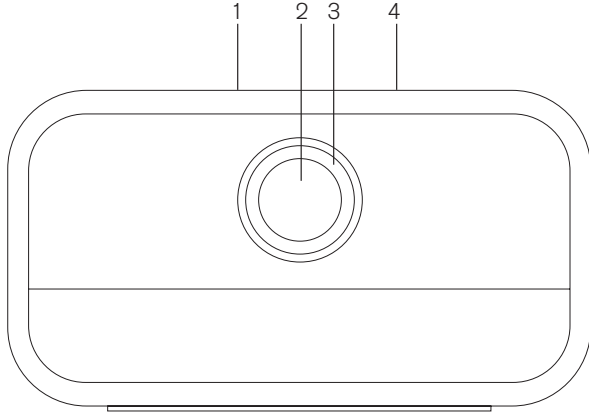
This equipment should be installed and operated with a minimum distance of 20cm between the radiator and your body.

**CAUTION:** To reduce the potential for harmful interference to co-channel mobile satellite systems, use of the 5150-5250 MHz frequency band is restricted to indoor use only.

FCC ID: VL5-AD105A4BK

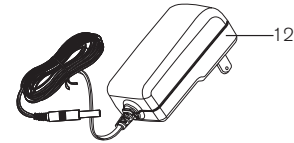
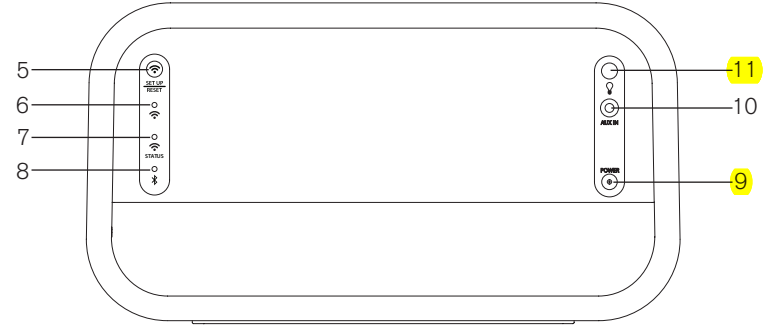
## LOCATION OF PARTS AND CONTROLS

- 1. Volume -
- 2. Power/Pairing Button
- 3. LED Ring
- 4. Volume +



## LOCATION OF PARTS AND CONTROLS

- 5. Wi-Fi Set Up/Reset Button
- 6. Wi-Fi Mode LED Indicator
- 7. Wi-Fi Status LED Indicator
- 8. Bluetooth® Mode LED Indicator
- 9. LED Ring On/Off button
- 10. Aux In Port
- 11. DC In Port
- 12. AC Adapter



## DOWNLOADING FREE APP

Go to the iTunes® App Store<sup>SM</sup> (for Apple devices) or Google Play™ (for Android devices) to download the “Big Blue Audio” App.



Big Blue Audio

## POWER

1. Connect the adapter's jack to the DC IN PORT on the back of **Big Blue Studio**.
2. Plug the adapter into an electrical outlet.
3. To power on, press the POWER BUTTON. **The power on tone will sound** and the LED ring will turn on.
4. When the Big Blue Studio is powered on, the WI-FI STATUS LED INDICATOR is solid red while the Big Blue Studio is booting up (about 20 seconds). The WI-FI STATUS LED INDICATOR may turn on and off during the booting up process, this is normal.
5. If a network has not been already set up, after booting is complete, the WI-FI STATUS LED INDICATOR will slow flash white indicating the Big Blue is ready to connect to a Wi-Fi network.
6. If a network has already been set up, after booting is complete, the Wi-Fi Status LED will slow flash green indicating that the Big Blue Studio is connected to a network but not streaming audio.
7. To power off, press the power button. The LED ring will turn off.

### Notes:

- Big Blue Studio will go into low power mode immediately if no audio is streaming. After 20 minutes of no audio streaming, the Big Blue Studio will go into standby mode. All LED INDICATORS and LED RING are off in standby mode.
- To wake the Big Blue Studio from stand-by mode, press the POWER BUTTON or activate audio using the Big Blue Audio app or Google Cast.




## WI-FI SET UP

1. When the WI-FI STATUS LED INDICATOR is slowly flashing white (indicating the Big Blue Studio is ready to connect to a Wi-Fi network), open Settings on your device and access Wi-Fi settings.
2. Select "BB\_Studio\_(XXX)\_Setup" from the list of available networks. Each unit has a unique identifier in parentheses after "BB Studio".
3. Open Big Blue Audio app and follow instructions on connecting Big Blue to a local Wi-Fi network.
4. When Big Blue Studio is connected to a local Wi-Fi network, the WI-FI STATUS LED INDICATOR will slow flash green indicating that the Big Blue Studio is connected to a network but not streaming audio. The WI-FI MODE LED INDICATOR is solid white to indicate Big Blue Studio is in Wi-Fi mode.

## PLAYING AUDIO WITH WI-FI

1. After Big Blue Studio has been set up on a local Wi-Fi network, select Big Blue Studio in the Big Blue Audio app, then select a source to stream audio.
2. When audio is streaming, the WI-FI STATUS LED INDICATOR will be solid green.
3. Use VOLUME + on the Big Blue Studio Chrome to increase the volume
4. Use VOLUME - on the Big Blue Studio Chrome to decrease the volume.

## USING GOOGLE CAST

1. After Big Blue Studio has been set up on a local Wi-Fi network, tap the Cast button  in downloaded apps that include Google Cast.
2. Audio will stream from the app to Big Blue Studio over Wi-Fi.

## PAIRING YOUR DEVICE WITH BLUETOOTH®

1. Prepare your device to pair using Bluetooth®, making sure you are within 33 feet of Big Blue Studio. Refer to your device's owner's manual for details if necessary.
2. Press the POWER/PAIRING BUTTON on the main unit to turn on the Big Blue Studio until the LED RING illuminates solid and **a tone sounds**.
3. Press and hold the POWER/PAIRING BUTTON on the main unit until the LED RING starts pulsing.
4. The Big Blue Studio is in pairing mode when the LED RING and BLUETOOTH® MODE LED INDICATOR are pulsing. Big Blue Studio will wait for a connection in pairing mode for up to 120 seconds.
5. Once Big Blue Studio is in pairing mode and your device is ready to pair, select "BB Studio (XXX)". Each unit has a unique identifier in parentheses after "BB Studio." If prompted, use 0000 as a PIN for the pairing code.
6. Once "Big Blue Studio" is selected, the LED RING will change to solid to confirm pairing is complete.

**Note:** To cancel the pairing mode press the POWER/PAIRING BUTTON to power the unit off, or wait the 120 seconds for Big Blue Studio to cancel pairing automatically. The LED RING will return to solid and the unit will remain on.

## PLAYING AUDIO WITH BLUETOOTH

1. After Big Blue Studio has been paired to a device, either choose “BB Studio (XXX)” as the audio location within the selected music library or app, or if the Big Blue Studio has been set up on a local Wi-Fi network, choose Bluetooth as the source in the Big Blue Audio app.
2. The BLUETOOTH MODE LED INDICATOR is solid white.
3. Use VOLUME + on the Big Blue Studio to increase the volume.
4. Use VOLUME - on the Big Blue Studio to decrease the volume.

## USING AUX IN

Connect your audio device to the Big Blue Studio with a 3.5mm-to-3.5mm cable (not included).

1. Plug one end of the cable into your audio device, just like you would a pair of headphones.
2. Plug the other end of the cable into the 3.5mm port labeled AUX IN on the Big Blue Studio.
3. Use your audio device to control music playback and volume through Big Blue Studio.

**Note:** The AUX IN function takes precedence over the Wi-Fi and Bluetooth® connections.

## LED RING ON/OFF

1. Press the LED RING ON/OFF BUTTON to turn the LED RING off.
2. Press the LED RING ON/OFF BUTTON to turn the LED RING on.

**Note:** When the LED RING is off, pressing any button will activate the function LEDs for 5 seconds. After 5 seconds has passed, the function LEDs turn off.



## COMPATIBILITY

Bluetooth 2.1 or above device with A2DP and AVRCP.

## CARE AND MAINTENANCE

To clean, wipe the Big Blue Studio with a soft, dry cloth.

## ACCESSING ADDITIONAL INFORMATION

For additional information, troubleshooting, frequently asked questions and How To videos, please go to [brookstone.com](http://brookstone.com).

## SPECIFICATIONS

Power Supply (Input)	AC 100V-240V, 50/60 Hz
Power Supply (Output)	DC 18V/2000mA
Power Output	2 x 2.5", 4 Ohm Full-range driver (20W) 1 x 3", 6 Ohm Subwoofer (30W)
Range	Class 2, up to 33 ft (10 m)
Compatibility	Bluetooth 2.1 with A2DP and AVRCP
Frequency Response	80Hz - 20kHz
Drivers	2 x 2.5", 4 Ohm Full-range driver 1 x 3", 6 Ohm Subwoofer
Product Weight	4.6 lbs (approximately)
Product Dimensions	9.5"w x 5.6"d x 5"h

The Bluetooth® word mark and logos are registered trademarks owned by Bluetooth SIG, Inc. and any use of such marks by Brookstone is under license.

Google Cast and the Google Cast badge are trademarks of Google inc.

© Brookstone 2016

## ONE (1) YEAR LIMITED WARRANTY

Brookstone® warrants this product against defects in materials and/or workmanship under normal use for a period of ONE (1) YEAR from the date of purchase by the original purchaser ("Warranty Period"). If a defect arises and a valid claim is received within the Warranty Period, at its option, Brookstone will either 1) repair the defect at no charge, using new or refurbished replacement parts, or 2) replace the product with a new product that is at least functionally equivalent to the original product, or 3) provide a store credit in the amount of the purchase price of the original product. A replacement product or part, including a user-installable part installed in accordance with instructions provided by Brookstone, assumes the remaining warranty of the original product. When a product or part is exchanged, any replacement item becomes your property and the replaced item becomes Brookstone's property. When a store credit is given, the original product must be returned to Brookstone and becomes Brookstone's property.

**Obtaining Service:** To obtain warranty service, call Brookstone Limited Warranty Service at 1-800-292-9819. Please be prepared to describe the product that needs service and the nature of the problem. A purchase receipt is required. All repairs and replacements must be authorized in advance. Service options, parts availability and response times will vary. You are responsible for delivery and the cost of delivery of the product or any parts to the authorized service center for replacement, per our instructions.

**Limits and Exclusions:** Coverage under this Limited Warranty is limited to the United States of America, including the District of Columbia and the U.S. Territories of Guam, Puerto Rico, and the U.S. Virgin Islands. This Limited Warranty applies only to products manufactured for Brookstone that can be identified by the "Brookstone" trademark, trade name, or logo affixed to them or their packaging. The Limited Warranty does not apply to any non-Brookstone products. Manufacturers or suppliers other than Brookstone may provide their own warranties to the purchaser,

but Brookstone, in so far as permitted by law, provides these products "as is." This warranty does not apply to: a) damage caused by failure to follow instructions relating to product's use or the installation of components; b) damage caused by accident, abuse, misuse, fire, floods, earthquake or other external causes; c) damage caused by service performed by anyone who is not a representative of Brookstone; d) accessories used in conjunction with a covered product; e) a product or part that has been modified to alter functionality or capability; f) items intended to be periodically replaced by the purchaser during the normal life of the product including, without limitation, batteries or light bulbs; g) any product sold "as is" including, without limitation, floor demonstration models and refurbished items; or h) a product that is used commercially or for a commercial purpose.

**BROOKSTONE SHALL NOT BE LIABLE FOR INCIDENTAL OR CONSEQUENTIAL DAMAGES RESULTING FROM THE USE OF THIS PRODUCT, OR ARISING OUT OF ANY BREACH OF THIS WARRANTY. TO THE EXTENT PERMITTED BY APPLICABLE LAW, BROOKSTONE DISCLAIMS ANY AND ALL STATUTORY OR IMPLIED WARRANTIES, INCLUDING, WITHOUT LIMITATION, WARRANTIES OF MERCHANTABILITY, FITNESS FOR A PARTICULAR PURPOSE AND WARRANTIES AGAINST HIDDEN OR LATENT DEFECTS. IF BROOKSTONE CANNOT LAWFULLY DISCLAIM STATUTORY OR IMPLIED WARRANTIES, THEN TO THE EXTENT PERMITTED BY LAW, ALL SUCH WARRANTIES SHALL BE LIMITED IN DURATION TO THE DURATION OF THIS EXPRESS WARRANTY.**

Some states disallow the exclusion or limitation of incidental or consequential damages or how long an implied warranty lasts, so the above exclusions or limitations may not apply to you. This warranty gives you specific legal rights and you may also have other rights, which vary from state to state.

Find thousands more  
great ideas online

**Brookstone®**

318421

Merrimack, New Hampshire, USA 03054 ▪ 800-846-3000 ▪ [Brookstone.com](http://Brookstone.com)