

Find thousands more
great ideas online

Brookstone

318417

Merrimack, New Hampshire, USA 03054 • 800-846-3000 • Brookstone.com

 Chromecast built-in

 Bluetooth

Brookstone

BIG BLUE PARTY™

INDOOR-OUTDOOR WIRELESS SPEAKER



TABLE OF CONTENTS

Warnings and Cautions.....	1
FCC Information.....	4
Location of Parts and Controls.....	6
Charging Big Blue Party.....	8
Setting Up Big Blue Party on a Network.....	9
Power.....	11
Using Chromecast built-in™.....	12
Grouping Speakers with Chromecast built-in.....	13
Big Blue Party Software Updates.....	13
Using Bluetooth®.....	14
Using Aux In.....	15
LED Ring and Handles On/Off.....	15
Reset.....	16
Compatibility.....	16
Care and Maintenance.....	16
LED Indicator Chart.....	17
Specifications.....	18
Frequently Asked Questions.....	19
Warranty.....	24

but Brookstone, in so far as permitted by law, provides these products "as is." This warranty does not apply to: a) damage caused by failure to follow instructions relating to product's use or the installation of components; b) damage caused by accident, abuse, misuse, fire, floods, earthquake or other external causes; c) damage caused by service performed by anyone who is not a representative of Brookstone; d) accessories used in conjunction with a covered product; e) a product or part that has been modified to alter functionality or capability; f) items intended to be periodically replaced by the purchaser during the normal life of the product including, without limitation, batteries or light bulbs; g) any product sold "as is" including, without limitation, floor demonstration models and refurbished items; or h) a product that is used commercially or for a commercial purpose.

BROOKSTONE SHALL NOT BELIEFABLE FOR INCIDENTAL OR CONSEQUENTIAL DAMAGES RESULTING FROM THE USE OF THIS PRODUCT, OR ARISING OUT OF ANY BREACH OF THIS WARRANTY. TO THE EXTENT PERMITTED BY APPLICABLE LAW, BROOKSTONE DISCLAIMS ANY AND ALL STATUTORY OR IMPLIED WARRANTIES, INCLUDING, WITHOUT LIMITATION, WARRANTIES OF MERCHANTABILITY, FITNESS FOR A PARTICULAR PURPOSE AND WARRANTIES AGAINST HIDDEN OR LATENT DEFECTS. IF BROOKSTONE CANNOT LAWFULLY DISCLAIM STATUTORY OR IMPLIED WARRANTIES, THEN TO THE EXTENT PERMITTED BY LAW, ALL SUCH WARRANTIES SHALL BE LIMITED IN DURATION TO THE DURATION OF THIS EXPRESS WARRANTY.

Some states disallow the exclusion or limitation of incidental or consequential damages or how long an implied warranty lasts, so the above exclusions or limitations may not apply to you. This warranty gives you specific legal rights and you may also have other rights, which vary from state to state.

ONE (1) YEAR LIMITED WARRANTY

Brookstone® warrants this product against defects in materials and/or workmanship under normal use for a period of ONE (1) YEAR from the date of purchase by the original purchaser ("Warranty Period"). If a defect arises and a valid claim is received within the Warranty Period, at its option, Brookstone will either 1) repair the defect at no charge, using new or refurbished replacement parts, or 2) replace the product with a new product that is at least functionally equivalent to the original product, or 3) provide a store credit in the amount of the purchase price of the original product. A replacement product or part, including a user-installable part installed in accordance with instructions provided by Brookstone, assumes the remaining warranty of the original product. When a product or part is exchanged, any replacement item becomes your property and the replaced item becomes Brookstone's property. When a store credit is given, the original product must be returned to Brookstone and becomes Brookstone's property.

Obtaining Service: To obtain warranty service, call Brookstone Limited Warranty Service at 1-800-292-9819. Please be prepared to describe the product that needs service and the nature of the problem. A purchase receipt is required. All repairs and replacements must be authorized in advance. Service options, parts availability and response times will vary. You are responsible for delivery and the cost of delivery of the product or any parts to the authorized service center for replacement, per our instructions.

Limits and Exclusions: Coverage under this Limited Warranty is limited to the United States of America, including the District of Columbia and the U.S. Territories of Guam, Puerto Rico, and the U.S. Virgin Islands. This Limited Warranty applies only to products manufactured for Brookstone that can be identified by the "Brookstone" trademark, trade name, or logo affixed to them or their packaging. The Limited Warranty does not apply to any non-Brookstone products. Manufacturers or suppliers other than Brookstone may provide their own warranties to the purchaser,

CAUTION

- TO REDUCE THE RISK OF ELECTRIC SHOCK, DO NOT REMOVE COVER. THERE ARE NO SERVICEABLE PARTS INSIDE.
- TO REDUCE THE RISK OF FIRE OR ELECTRIC SHOCK, DO NOT EXPOSE THIS UNIT TO RAIN OR MOISTURE.



The lightning flash with arrow-head symbol within an equilateral triangle is intended to alert the user to the presence of uninsulated "dangerous voltage" within the unit's enclosure that may be of sufficient magnitude to constitute a risk of electric shock.



The exclamation point within an equilateral triangle is intended to alert the user to the presence of important operating and maintenance (servicing) instructions in the literature accompanying the unit.

IMPORTANT SAFETY INSTRUCTIONS

All the safety and operating instructions should be read, heeded, adhered to and followed before the unit is operated.

SAFETY AND HANDLING INFORMATION

For maximum product life, do not drop, throw or crush the speaker. Do not expose it to humidity, dust, or operating temperatures outside 32°F to 113°F (0°C to 45°C).

SAVE THESE INSTRUCTIONS!

DANGER

To reduce the risk of electric shock, burns, fire or injury:

1. Do not use while bathing or in a shower.
2. Do not place or store unit where it can fall or be pulled into a tub or sink.
3. Do not place in, drop or submerge in water or other liquid.
4. Do not reach for a unit that has fallen into water. Unplug it immediately.
5. Care should be taken so that objects do not fall and liquids are not spilled onto the unit.

NOTES

The Bluetooth® word mark and logos are registered trademarks owned by Bluetooth SIG, Inc. and any use of such marks by Brookstone is under license.

Android is a registered trademark of Google, Inc.

Chromecast is a trademark of Google Inc.

Wi-Fi and Wi-Fi logo are registered trademarks of the Wi-Fi Alliance.

Big Blue® is a registered trademark owned by Big Blue Audio LLC.

© Brookstone 2016

FREQUENTLY ASKED QUESTIONS (CONTINUED)

Why won't audio play through the speaker using Bluetooth?

Ensure your device is within 33 feet of Big Blue Party and reconnect your device to Big Blue Party (please refer to page 14 for pairing instructions).

Restart Big Blue Party by powering off and then on.

Check Big Blue Party or your device's volume level.

Why does the Big Blue Party show as a Wi-Fi connection on my device?

The Big Blue Party broadcasts a signal but the Wi-Fi connection is handled through the Google Home app.

Why won't audio play through the speaker using Aux Mode?

Remove and reinsert the 3.5mm-to-3.5mm cable (not included) into the AUX IN port.

WARNING

1. Close supervision is necessary when this appliance/product is used by or near children or mentally disabled individuals.
2. Use this unit only for its intended use as described in this manual.
3. Unplug this unit during lightning storms or when unused for long periods of time.
4. Never drop or insert an object into any opening.
5. Protect the power cord from being walked on or pinched, particularly at plug outlets, convenience receptacles and the point where it exits the unit.
6. Do not allow cord to touch hot surfaces. Wrap cord loosely around the unit when storing.
7. The unit should be situated away from direct sunlight or heat sources such as radiators, electric heaters, heat registers, stoves, or other units (including amplifiers) that produce heat. Avoid placing on top of stereo equipment that radiates heat.
8. Never block the air openings of the unit with materials such as clothing, plastic bags or papers, or place it on a soft surface such as a bed or couch, where the air openings may be blocked.
9. Do not overload the electrical outlet. Use the power source only as indicated.
10. Do not carry this unit by its cord or use the cord as a handle.
11. Never operate this unit if it has a damaged cord or plug, if it is not working properly, or if it has been dropped or damaged, or dropped into water. If the unit's power supply cord or plug is damaged, do not attempt to fix it yourself.
12. To avoid the risk of electric shock, do not disassemble or attempt to repair the

unit. Incorrect repair can cause risk of electric shock or injury to persons when the unit is used.

13. Do not operate in the presence of explosive and/or flammable fumes.
14. Never remove the plug from the outlet by pulling the power cord.

LI-ION BATTERY WARNINGS

This device contains a Lithium-ion battery. The battery must be recycled or disposed of properly. Contact your local waste management office for information on battery recycling or disposal.

FCC INFORMATION

Caution: Changes or modifications not expressly approved by the party responsible for compliance could void the user's authority to operate the equipment.

This equipment has been tested and found to comply with the limits for a Class B Digital Device, pursuant to Part 15 of the FCC Rules. These limits are designed to provide reasonable protection against harmful interference in a residential installation. This equipment generates, uses, and can radiate radio frequency energy and, if not installed and used in accordance with the instructions, may cause harmful interference to radio communications. However, there is no guarantee that interference will not occur in a particular installation.

If this equipment does cause harmful interference to radio or television reception, which can be determined by turning the equipment off and on, the user is encouraged to try to correct the interference by one or more of the following measures:

Why can audio only be heard through one speaker in a group?

It may take up to a minute for audio to stream on all speakers in a group.

How do I set up Big Blue Party on a new Wi-Fi network?


Reset Big Blue Party (please refer to page 16 for reset instructions). After booting is complete, the WI-FI STATUS LED INDICATOR continuously flashes white to indicate the Big Blue Party is ready to be connected to a Wi-Fi network through the Google Home app (please refer to page 9 for set up instructions).

How can I switch to Bluetooth mode?

If your device was previously paired to the Big Blue Party using Bluetooth, play audio from your device to switch to Bluetooth mode.

Ensure your device is within 33 feet of Big Blue Party and connect your device to Big Blue Party (please refer to page 14 for pairing instructions) to switch the Big Blue Party to Bluetooth mode.

How can I switch to Wi-Fi mode?

Tap the Cast button  in Chromecast-enabled apps to switch the Big Blue Party to Wi-Fi mode.

FREQUENTLY ASKED QUESTIONS (CONTINUED)

Why isn't there a Cast button  in the app from which I would like to stream audio?


Ensure the Big Blue Party has been set up using the Google Home app (please refer to page 9 for set up instructions).

Confirm the app you would like to stream music from is enabled with Chromecast built-in.

Confirm the Wi-Fi network enabled on your device is the same Wi-Fi network that was used when the Big Blue Party was set up using the Google Home app.

Confirm the Wi-Fi network used during set up with the Google Home app has all network privileges enabled. For example, a "guest network" on a router may not have all network privileges enabled.

Refresh the Chromecast-enabled enabled app.

Why doesn't the Big Blue Party appear as an available connection when I tap the Cast button  in the app from which I would like to stream audio?

Ensure the Big Blue Party has been set up using the Google Home app (please refer to page 9 for set up instructions).

Verify the Big Blue Party appears as a device in Google Home app device list.

The Big Blue Party will stream audio from audio or music Chromecast-enabled apps, it may not stream audio from some video apps.

- Reorient or relocate the receiving antenna.
- Increase the distance between the equipment and receiver.
- Connect the equipment to an outlet on a circuit different from that to which the receiver is connected.
- Consult the dealer or an experienced radio/TV technician for help.

This equipment complies with Part 15 of the FCC Rules. Operation is subject to the following two conditions:

1. This equipment may not cause harmful interference.
2. This equipment must accept any interference received, including interference that may cause undesired operation.

Modifications not authorized by the manufacturer may void the user's authority to operate this device.

FCC Radiation Exposure Statement:

This equipment complies with FCC radiation exposure limits set forth for an uncontrolled environment.

This transmitter must not be co-located or operating in conjunction with any other antenna or transmitter.

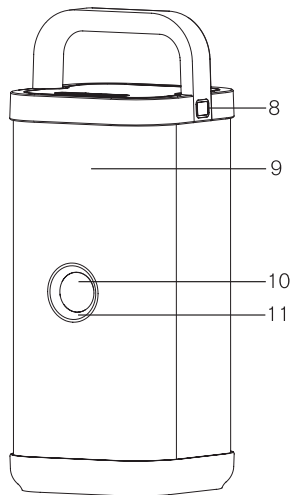
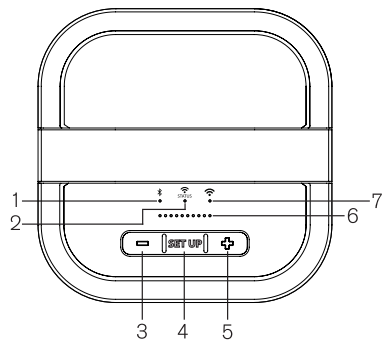
This equipment should be installed and operated with a minimum distance of 20cm between the radiator and your body.

CAUTION: To reduce the potential for harmful interference to co-channel mobile satellite systems, use of the 5150-5250 MHz frequency band is restricted to indoor use only.

FCC ID: VL5-AR106A4BK

LOCATION OF PARTS AND CONTROLS

1. Bluetooth® Mode LED Indicator
2. Wi-Fi Status LED Indicator
3. Volume -
4. Wi-Fi® Set Up/Reset Button
5. Volume +
6. Volume Level LED Indicators
7. Wi-Fi Mode LED Indicator
8. Handle LED (2)
9. Charging LED Indicator
10. Power/Pairing Button
11. LED Ring



FREQUENTLY ASKED QUESTIONS

Why doesn't the Big Blue Party automatically show as a device in the Google Home app?

It may take several minutes for the Big Blue Party to appear as a device in the Google Home app.

Ensure the Big Blue Party is in range of your Wi-Fi network.

Ensure Bluetooth is enabled on your device. During set up, the Google Home app needs to access your device using Bluetooth.

Restart Big Blue Party by powering off and then on.

Reset Big Blue Party (please refer to page 16 for reset instructions).

Why won't audio play through the speaker in Wi-Fi mode?

Ensure the Big Blue Party has been selected from the Cast menu in the Chromecast-enabled app.

Ensure the Big Blue Party is in range of your Wi-Fi network.

Restart Big Blue Party by powering off and then on.

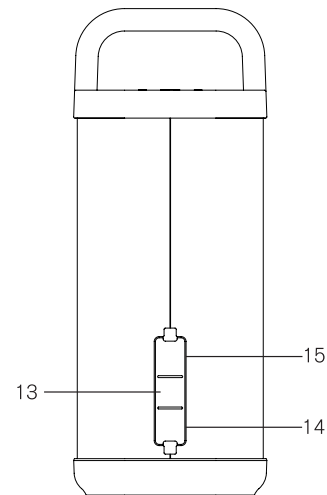
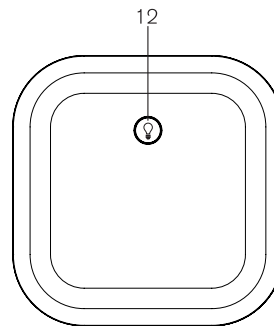
Check Big Blue Party or your device's volume level.

SPECIFICATIONS

Power Supply.....	18V 3.5A
Rechargeable Battery.....	11.1V 4400mAh (48.8Wh)
Battery Life.....	Approx. 4.5 hours
Total Power Output.....	72 Watts (18W per Channel; 36W per subwoofer)
Range.....	Class 2, up to 33 ft (10 m)
Compatibility.....	Bluetooth 4.0 with A2DP and AVRCP
Frequency Response.....	40Hz - 20kHz
Drivers.....	4 x 2.5" Mid-range driver + 1 x 5" x 7" Passive Radiator + 1 x 5.5" Subwoofer
Water Resistance.....	Splash Resistant
Product Weight.....	12 lbs (approximately)
Product Dimensions (with handle).....	6.3"w x 6.3"d x 15.8"h

LOCATION OF PARTS AND CONTROLS

- | | |
|--------------------------------------|---------------------------------------|
| 12. Lights On/Off button | 15. Aux In Port (behind Rubber Cover) |
| 13. Rubber Cover | 16. Adapter (not shown) |
| 14. DC In Port (behind Rubber Cover) | |



CHARGING BIG BLUE PARTY

1. Lift the RUBBER COVER and connect the ADAPTER's jack to the DC IN PORT on the Big Blue Party.
2. Plug the ADAPTER into an electrical outlet.
3. The CHARGING LED INDICATOR is RED while the Big Blue Party is charging. When the Big Blue Party is fully charged, the CHARGING LED INDICATOR turns off. For first time use, charge Big Blue Party for at least 5 hours.
4. When Big Blue Party's battery is low, the CHARGING LED INDICATOR will flash RED.

LED INDICATOR CHART

LED Indicator	Function	Color	State
Wi-Fi Status	Booting	Red	Solid
Wi-Fi Status	Failure to Boot	Red	Flashing
Wi-Fi Status	Network Streaming Audio	Green	Solid
Wi-Fi Status	Network Not Streaming Audio	Green	Flashing
Wi-Fi Status	Aux Mode	Yellow	Solid
Wi-Fi Status	Ready to connect to a Wi-Fi network through Chromecast built-in	White	Flashing
Wi-Fi Status	Updating Software	Orange	Pulsing
Wi-Fi Status	Reset	White	Solid
Bluetooth Mode	Bluetooth Streaming Audio	White	Solid
Bluetooth Mode	Bluetooth Not Streaming Audio	White	Flashing
Bluetooth Mode	Using Bluetooth, In Pairing mode	White	Pulsing
Wi-Fi Mode	Casting through Wi-Fi network	White	Solid
LED Ring	Power on	White	Solid
LED Ring	Searching for Bluetooth device	White	Pulsing

RESET

1. With Big Blue Party powered on, press and hold the WI-FI® SET UP/RESET BUTTON until the LED RING turns off (approximately 5 seconds). The WI-FI STATUS LED INDICATOR is solid white for several seconds while the Big Blue Studio resets.
2. After reset is complete, the WI-FI STATUS LED INDICATOR is solid red for several seconds while the Big Blue Party is booting up. The WI-FI STATUS LED INDICATOR may turn on and off during the booting up process, this is normal. The booting process may take up to one minute to complete.
3. After booting is complete, the WI-FI STATUS LED INDICATOR continuously flashes white, indicating the Big Blue Party is ready to be connected to a Wi-Fi network through the Google Home app.

COMPATIBILITY

Bluetooth 4.0 or above device with A2DP and AVRCP.

CARE AND MAINTENANCE

Warning: this product contains a lithium-ion battery. To prevent injury, store it out of direct sunlight.

Clean the speaker with a soft, dry cloth.

SETTING UP BIG BLUE PARTY ON A NETWORK

DOWNLOADING GOOGLE HOME APP

Go to the iTunes® App StoreSM (for Apple devices) or Google PlayTM (for Android devices) to download the Google Home App.

CONNECTING BIG BLUE PARTY TO A NETWORK

1. Ensure the Big Blue Party is fully charged or connect the adapter's jack to the DC IN PORT on the back of Big Blue Party and plug the adapter into an electrical outlet.
2. Press the POWER BUTTON. The LED ring will turn on.
3. When the Big Blue Party is powered on, the WI-FI STATUS LED INDICATOR is solid red for several seconds then changes to flashing white for several seconds while the Big Blue Party is booting up. The WI-FI STATUS LED INDICATOR may turn on and off during the booting up process, this is normal. The booting process may take up to one minute to complete.
4. After booting is complete, the WI-FI STATUS LED INDICATOR continuously flashes white, indicating the Big Blue Party is ready to be connected to a Wi-Fi network through the Google Home app.
5. Ensure your device (e.g., smartphone) is connected to a Wi-Fi network. The Wi-Fi network will also be used to pair the Big Blue Party with the Google Home app.
6. Ensure Bluetooth® is enabled on your device (e.g., smartphone). During set up, the Google Home app needs to access your device (e.g., smartphone) using Bluetooth®.

7. With the Big Blue Party powered on, open the Google Home app and select "Devices" from the menu. The Big Blue Party will appear as a device to set up. It may take up to a minute for the Big Blue Party to appear as an available device.

Important: The Big Blue Party will automatically appear as an available device in the Google Home app. Do not select "Add New Device" in the app.

8. Follow instructions in app to complete setup. The setup process may take several minutes. During set up, the WI-FI STATUS LED INDICATOR may turn off for several seconds, this is normal.
9. After setup is complete, WI-FI STATUS LED INDICATOR will be solid yellow (Aux mode), indicating Big Blue Party is ready to Cast (refer to page 12 for instructions on how to use Chromecast built-in).

Note: If setting up multiple speakers in the Google Home app, leave additional speakers powered off while setting up a speaker.

USING AUX IN

Connect your audio device to the Big Blue Party with a 3.5mm-to-3.5mm cable (not included).

1. Plug one end of the cable into your audio device, just like you would a pair of headphones.
2. Lift the RUBBER COVER and plug the other end of the cable into the 3.5mm port labeled AUX IN on the Big Blue Party. The WI-FI STATUS LED INDICATOR will be solid yellow.
3. Use your audio device to control music playback. Adjust volume with your audio device or with the volume controls on Big Blue Party.

LED RING AND HANDLE LEDs ON/OFF

1. Press the LIGHTS ON/OFF BUTTON to turn the LED RING and HANDLE LEDs off.
2. Press LIGHTS ON/OFF BUTTON to turn the LED RING and HANDLE LEDs on.

USING BLUETOOTH®

1. Prepare your device to pair using Bluetooth®, making sure you are within 33 feet of Big Blue Party. Refer to your device's owner's manual for details if necessary.
2. With the Big Blue Party powered on, press and hold the POWER/PAIRING BUTTON on the main unit until the LED RING starts pulsing.
3. The Big Blue Party is in pairing mode when the LED RING and BLUETOOTH® MODE LED INDICATOR are pulsing. Big Blue Party will wait for a connection in pairing mode for up to 120 seconds.
4. Once Big Blue Party is in pairing mode and your device is ready to pair, select "BB Party (XXXXXX)." Each Big Blue Party has a unique identifier. If prompted, use 0000 as a PIN for the pairing code.
5. Once "BB Party (XXXXXX)" is selected, the LED RING will change to solid and the BLUETOOTH® MODE LED INDICATOR will start flashing confirming pairing is complete. When audio is streaming, the BLUETOOTH® MODE LED INDICATOR will change to solid white.

Note: To cancel the pairing mode, wait the 120 seconds for Big Blue Party to cancel pairing automatically. The LED RING will return to solid and the unit will remain on.

6. Use VOLUME + on Big Blue Party to increase the volume. The VOLUME LEVEL LED INDICATORS will show the volume level.
7. Use VOLUME - on Big Blue Party to decrease the volume. The VOLUME LEVEL LED INDICATORS will show the volume level.

POWER


1. Press the POWER BUTTON to turn Big Blue Party on. The LED ring will turn on.
2. When the Big Blue Party is powered on, the WI-FI STATUS LED INDICATOR is solid red for several seconds then changes to flashing white for several seconds while the Big Blue Party is booting up. The WI-FI STATUS LED INDICATOR may turn on and off during the booting up process, this is normal. The booting process may take up to one minute to complete.
3. After booting is complete, the WI-FI STATUS LED INDICATOR will be solid yellow indicating the Big Blue Party is in Aux mode (if last mode used was Wi-Fi Casting or Aux) or BLUETOOTH® MODE LED INDICATOR will flash white indicating Big Blue Party is in Bluetooth mode (if last mode used was Bluetooth).
4. To use Chromecast built-in, refer to the instructions on page 12.
5. To use Bluetooth, refer to the instructions on page 14.
6. To use Aux In, refer to the instructions on page 15.
7. To power off, press the POWER BUTTON.

Notes:

- Big Blue Party will go into low power mode immediately if no audio is streaming in Wi-Fi or Bluetooth mode.
- After 60 minutes of no audio streaming in Wi-Fi or Bluetooth mode, Big Blue Party will automatically turn off.


USING CHROMECAST BUILT-IN

Chromecast built-in is a technology that lets you stream your favorite music, radio or podcasts from your mobile device to your speakers.

1. After Big Blue Party has been set up in the Google Home app, tap the Cast button  in any Chromecast-enabled app and select the Big Blue Party. Consult the Google Home app for a list of apps that are Chromecast-enabled.
2. Audio will stream from the Chromecast-enabled app to Big Blue Party over Wi-Fi. The WI-FI MODE LED INDICATOR is solid white to indicate Big Blue Party is in Wi-Fi mode. When audio is streaming, the WI-FI STATUS LED INDICATOR will be solid green. If audio is not streaming, the WI-FI STATUS LED INDICATOR will flash green.
3. Use VOLUME + on Big Blue Party to increase the volume.
4. Use VOLUME - on Big Blue Party to decrease the volume.

GROUPING SPEAKERS WITH CHROMECAST BUILT-IN

Speakers set up in the Google Home app can be grouped together to stream the same audio content.


1. Tap the menu icon on a device that has been set up in the Google Home app and select "Create Group."
2. Select at least two speakers for the group and enter a name for the group.
3. The group will appear as an available connection when the Cast button  is tapped in Chromecast-enabled apps.
4. Access the speaker group in the Google Home app to control play/pause or control the volume of each speaker.

BIG BLUE PARTY SOFTWARE UPDATES

As updates become available, the Big Blue Party's software will automatically update when the Big Blue Party is connected to a Wi-Fi network.

During a software update, the WI-FI STATUS LED INDICATOR will pulse orange.

When the software update is complete, the WI-FI STATUS LED INDICATOR will turn solid red for a few seconds, change to breathing white for a few seconds and then turn off for several seconds as the Big Blue Party reboots. After booting is complete, the WI-FI STATUS LED INDICATOR is solid yellow (Aux mode), indicating Big Blue Party is ready to Cast.

Note: A software update may occur while audio is streaming. Audio streaming will stop while the Big Blue Party is being updated. After the update is complete, tap the Cast button  in your Chromecast-enabled app to resume audio.