

NOW YOU'RE ROCKIN'

BIG BLUE WIRELESS SPEAKER



Big Blue Audio is synonymous with wireless sound.

733673; 847097; 847098
847099; 748721; 748731

Big Blue Audio LLC • One Innovation Way, Merrimack, NH 03054 • 1-866-577-8955 • BigBlueAudio.com



733673_INS_Big Blue
Size:5"Wx4.75"H_Output:100%_Prints:1/1_Blk

TABLE OF CONTENTS

Warnings and Cautions	2
FCC Information	6
Location of Parts and Controls	8
Set Up.....	9
Pairing Your Device.....	9
Using Big Blue after Pairing.....	10
Adjusting Volume.....	11
Adjusting Bass and Treble.....	11
LED Ring On/Off	11
Connecting Other Stereo Components.....	12
Outputting Sound	12
Specifications.....	13
Troubleshooting	14
Warranty.....	17

Warranty does not apply to any non-Big Blue Audio products. Manufacturers or suppliers other than Big Blue Audio may provide their own warranties to the purchaser, but Big Blue Audio, in so far as permitted by law, provides these products "as is." This warranty does not apply to: a) damage caused by failure to follow instructions relating to product's use or the installation of components; b) damage caused by accident, abuse, misuse, fire, floods, earthquake or other external causes; c) damage caused by service performed by anyone who is not a representative of Big Blue Audio; d) accessories used in conjunction with a covered product; e) a product or part that has been modified to alter functionality or capability; f) items intended to be periodically replaced by the purchaser during the normal life of the product including, without limitation, batteries or light bulbs; g) any product sold "as is" including, without limitation, floor demonstration models and refurbished items; or h) a product that is used commercially or for a commercial purpose.

BIG BLUE AUDIO SHALL NOT BE LIABLE FOR INCIDENTAL OR CONSEQUENTIAL DAMAGES RESULTING FROM THE USE OF THIS PRODUCT, OR ARISING OUT OF ANY BREACH OF THIS WARRANTY. TO THE EXTENT PERMITTED BY APPLICABLE LAW, BIG BLUE AUDIO DISCLAIMS ANY AND ALL STATUTORY OR IMPLIED WARRANTIES, INCLUDING, WITHOUT LIMITATION, WARRANTIES OF MERCHANTABILITY, FITNESS FOR A PARTICULAR PURPOSE AND WARRANTIES AGAINST HIDDEN OR LATENT DEFECTS. IF BIG BLUE AUDIO CANNOT LAWFULLY DISCLAIM STATUTORY OR IMPLIED WARRANTIES, THEN TO THE EXTENT PERMITTED BY LAW, ALL SUCH WARRANTIES SHALL BE LIMITED IN DURATION TO THE DURATION OF THIS EXPRESS WARRANTY.

Some states disallow the exclusion or limitation of incidental or consequential damages or how long an implied warranty lasts, so the above exclusions or limitations may not apply to you. This warranty gives you specific legal rights and you may also have other rights, which vary from state to state.



ONE (1) YEAR LIMITED WARRANTY

Big Blue Audio LLC warrants this product against defects in materials and/or workmanship under normal use for a period of ONE (1) YEAR from the date of purchase by the original purchaser ("Warranty Period"). If a defect arises and a valid claim is received within the Warranty Period, at its option, Big Blue Audio will either 1) repair the defect at no charge, using new or refurbished replacement parts, or 2) replace the product with a new product that is at least functionally equivalent to the original product, or 3) provide a store credit in the amount of the purchase price of the original product. A replacement product or part, including a user-installable part installed in accordance with instructions provided by Big Blue Audio, assumes the remaining warranty of the original product. When a product or part is exchanged, any replacement item becomes your property and the replaced item becomes Big Blue Audio's property. When a store credit is given, the original product must be returned to Big Blue Audio and becomes Big Blue Audio's property.

Obtaining Service: To obtain warranty service, call Big Blue Audio Limited Warranty Service at 866-577-8955. Please be prepared to describe the product that needs service and the nature of the problem. A purchase receipt is required. All repairs and replacements must be authorized in advance. Service options, parts availability and response times will vary. You are responsible for delivery and the cost of delivery of the product or any parts to the authorized service center for replacement, per our instructions.

Limits and Exclusions: Coverage under this Limited Warranty is limited to the United States of America, including the District of Columbia and the U.S. Territories of Guam, Puerto Rico, and the U.S. Virgin Islands. This Limited Warranty applies only to products manufactured for Big Blue Audio that can be identified by the "Big Blue Audio" trademark, trade name, or logo affixed to them or their packaging. The Limited



CAUTION

- TO REDUCE THE RISK OF ELECTRIC SHOCK, DO NOT REMOVE COVER.
THERE ARE NO SERVICEABLE PARTS INSIDE.
- TO REDUCE THE RISK OF FIRE OR ELECTRIC SHOCK, DO NOT EXPOSE THIS UNIT TO RAIN OR MOISTURE.



The lightning flash with arrow-head symbol within an equilateral triangle is intended to alert the user to the presence of uninsulated "dangerous voltage" within the unit's enclosure that may be of sufficient magnitude to constitute a risk of electric shock.



The exclamation point within an equilateral triangle is intended to alert the user to the presence of important operating and maintenance (servicing) instructions in the literature accompanying the unit.

IMPORTANT SAFETY INSTRUCTIONS

All of the safety and operating instructions should be read, adhered to and followed before the unit is operated.





SAFETY AND HANDLING INFORMATION

For maximum product life, do not drop, throw, or crush the speaker. Do not expose it to humidity, dust, or operating temperatures outside 32°F to 113°F (0°C to 45°C).

SAVE THESE INSTRUCTIONS!

DANGER

To reduce the risk of electric shock, burns, fire or injury:

1. Do not use while bathing or in a shower.
2. Do not place or store unit where it can fall or be pulled into a tub or sink.
3. Do not place in, drop or submerge in water or other liquid.
4. Do not reach for a unit that has fallen into water. Unplug it immediately.
5. Care should be taken so that objects do not fall and liquids are not spilled onto the unit.



NOTES

IC Statement

This device complies with Part 15 of the FCC Rules and with RSS-210 of Industry Canada. Operation is subject to the following two conditions:

- (1) this device may not cause harmful interference, and (2) this device must accept any interference received, including interference that may cause undesired operation.
- Changes or modifications to your device not expressly approved by the party responsible for compliance can void the user's authority to operate the equipment.

Cet appareil est conforme à la RSS-210 du règlement de la IC. Le fonctionnement est sujet aux deux conditions suivantes:

- (1) Cet appareil ne peut causer d'interférences nuisibles
- (2) Cet appareil reçoit toute interférence même les interférences qui peuvent occasionner un mauvais fonctionnement.



Les modifications apportées à votre appareil et non expressément approuvés par la partie responsable de la conformité peuvent annuler le droit de l'utilisateur à utiliser l'équipement.

TROUBLESHOOTING (CONTINUED)

ISSUE	SOLUTION
(cont.) Music won't play on the speaker.	Note: Big Blue remembers the last device paired. If you would like to use another device, pair that device manually. Please refer to page 9 for pairing instruction.

WARNING

1. Close supervision is necessary when this appliance/product is used by or near children or mentally disabled individuals.
2. Use this unit only for its intended use as described in this manual.
3. Unplug this unit during lightning storms or when unused for long periods of time.
4. Never drop or insert an object into any opening.
5. Protect the power cord from being walked on or pinched, particularly at plug outlets, convenience receptacles and the point where it exits the unit.
6. Do not allow cord to touch hot surfaces. Wrap cord loosely around the unit when storing.
7. The unit should be situated away from direct sunlight or heat sources such as radiators, electric heaters, heat registers, stoves, or other units (including amplifiers) that produce heat. Avoid placing on top of stereo equipment that radiates heat.

- 
- 
8. Never block the air openings of the unit with materials such as clothing, plastic bags or papers, or place it on a soft surface such as a bed or couch, where the air openings may be blocked.
 9. Do not overload the electrical outlet. Use only the power source as indicated.
 10. Do not carry this unit by its cord or use the cord as a handle.
 11. Never operate this unit if it has a damaged cord or plug, if it is not working properly, or if it has been dropped or damaged, or dropped into water. If the unit's power supply cord or plug is damaged, do not attempt to fix it yourself.
 12. To avoid the risk of electric shock, do not disassemble or attempt to repair the unit. Incorrect repair can cause risk of electric shock or injury to persons when the unit is used.
 13. Do not operate in the presence of explosive and/or flammable fumes.
 14. Never remove the plug from the outlet by pulling the power cord.

TROUBLESHOOTING

ISSUE	SOLUTION
Bluetooth® disconnection.	Ensure your device is within 33 feet of Big Blue and reconnect your device to Big Blue.
Sound is not clear or there is no sound at all.	Power Big Blue off and then back on. Adjust your device's equalizer. Check Big Blue or your device's volume level.
Music won't play on the speaker.	Make sure Big Blue is plugged in. Confirm device is paired. Power Big Blue off and then back on.

SPECIFICATIONS

- Total 30W output
- Full-range 2 x (2.5 inch) Driver
- Subwoofer (3 inch) Driver + Passive Radiator
- S/N Ratio >75dB@1W
- Frequency Response 80Hz - 20k Hz
- Power Adapter 18VDC, 2000mA, 50/60Hz, 1.2A input
- Power/pair light ring and center button
- Range: Class 2, up to 33 ft (10 m)

COMPATIBILITY

Bluetooth® 2.0 or above device with A2DP/GAVDP/IOP.

FCC INFORMATION

This equipment has been tested and found to comply with the limits for a Class B Digital Device, pursuant to Part 15 of the FCC Rules. These limits are designed to provide reasonable protection against harmful interference in a residential installation. This equipment generates, uses, and can radiate radio frequency energy and, if not installed and used in accordance with the instructions, may cause harmful interference to radio communications. However, there is no guarantee that interference will not occur in a particular installation.

If this equipment does cause harmful interference to radio or television reception, which can be determined by turning the equipment off and on, the user is encouraged to try to correct the interference by one or more of the following measures:

- Reorient or relocate the receiving antenna.
- Increase the distance between the equipment and receiver.
- Connect the equipment to an outlet on a circuit different from that to which the receiver is connected.

- Consult the dealer or an experienced radio/TV technician for help.

This equipment complies with Part 15 of the FCC Rules.

Operation is subject to the following two conditions:

1. This equipment may not cause harmful interference.
2. This equipment must accept any interference received, including interference that may cause undesired operation.

Modifications not authorized by the manufacturer may void the user's authority to operate this device.

CONNECTING OTHER STEREO COMPONENTS

You can connect your audio device to the speaker with a 3.5mm mini-jack cable (not included).

1. Plug one end of the cable into your audio device, just like you would a pair of headphones.
2. Plug the other end of the cable into the Big Blue 3.5mm port labeled AUX IN.
3. Use your audio device to control music playback and volume through Big Blue.

Note: If a device is currently paired with Bluetooth®, that device takes precedence over a wired device connection. You must first disconnect the Bluetooth® connection on your device to utilize the AUX IN function.

OUTPUTTING SOUND

Connect other equipment or speakers by using audio cords with mini jacks (not included) to the AUX OUT JACK on the back of Big Blue.

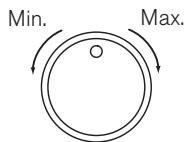
Note: AUX OUT can only be used when a device is paired with Big Blue via Bluetooth®.

ADJUSTING VOLUME

1. Adjust the volume of Big Blue's sound by its touch-sensitive controls. They are located on the top of the cabinet over the POWER BUTTON.
2. Tap the + or – icons to slowly increase/decrease the volume or place your finger on the symbols continuously to increase/decrease the volume at an accelerated rate. The LED RING will flash during volume adjustment.

ADJUSTING BASS AND TREBLE

To fine-tune your audio depending on what type of music you're listening to through Big Blue, you may adjust the BASS or TREBLE by turning the knobs on the back of the cabinet.

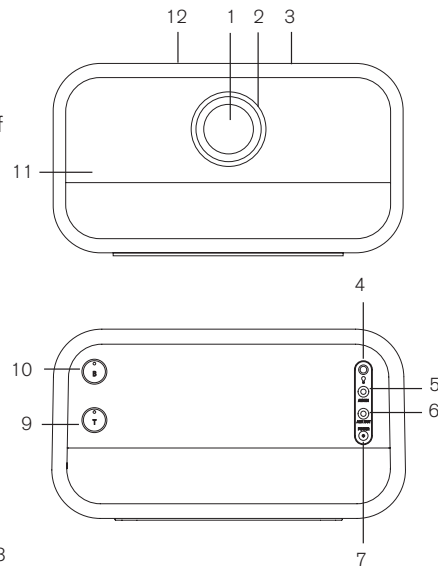


LED RING ON/OFF

To control the LED RING light, press the LED ON/OFF BUTTON on the back of the cabinet.

LOCATION OF PARTS AND CONTROLS

1. Power Button
2. LED Ring
3. Volume Up
4. LED Ring On/Off
5. AUX In Port
6. AUX Out Port
7. Power Port
8. Power Adapter
9. Treble Knob
10. Bass Knob
11. Speaker Grille
12. Volume Down



SET UP

1. Connect the ADAPTER'S jack to the POWER PORT on the back of Big Blue.
2. Plug the ADAPTER into an electrical outlet.

NFC PAIRING USING ONE TOUCH

1. Turn on the NFC function on your device. Make sure your device is in the wake-up mode.
2. Touch the unit's NFC sensing area with your device, the unit will then power on and pair to your device.

PAIRING YOUR DEVICE

1. Prepare your device to pair using Bluetooth®, making sure you are within 33 feet of Big Blue. Refer to your device's owners manual for details if necessary.
2. If Big Blue is off, press and hold the POWER BUTTON until the LED RING starts flashing. Four ascending beeps will sound. If Big Blue is already on, press and hold the POWER BUTTON until the LED RING starts flashing.
3. Big Blue is in pairing mode when the LED RING is flashing. Big Blue will wait for a connection in pairing mode for up to 3 minutes.
4. Once Big Blue is in pairing mode and your device is ready to pair, select "Big Blue". If prompted, use 0000 as a PIN for the pairing code.

5. Once Big Blue is selected, the LED RING will change to solid blue and 3 beeps will sound to confirm pairing is complete. Big Blue is now ready to rock!

Notes:

- To cancel the pairing mode you may either press and hold the Power button, four descending beeps will sound and Big Blue will shut off, or wait the 3 minutes for Big Blue to cancel pairing automatically. Big Blue will beep once, the LED RING will return to solid blue, and the unit will remain on.
- If at any time the Bluetooth® connection is lost, the unit will beep twice.

USING BIG BLUE AFTER PAIRING

1. Press and hold the POWER BUTTON until the LED RING illuminates solid. Four ascending beeps will sound.
2. Big Blue should automatically remember you. Depending upon your device, you may have to select "Big Blue" in your device's menu. 3 beeps will sound to verify Bluetooth® connection. Big Blue is now ready to rock!
3. To turn Big Blue off, press the Power button. Four descending beeps will sound and the LED RING will shut off.