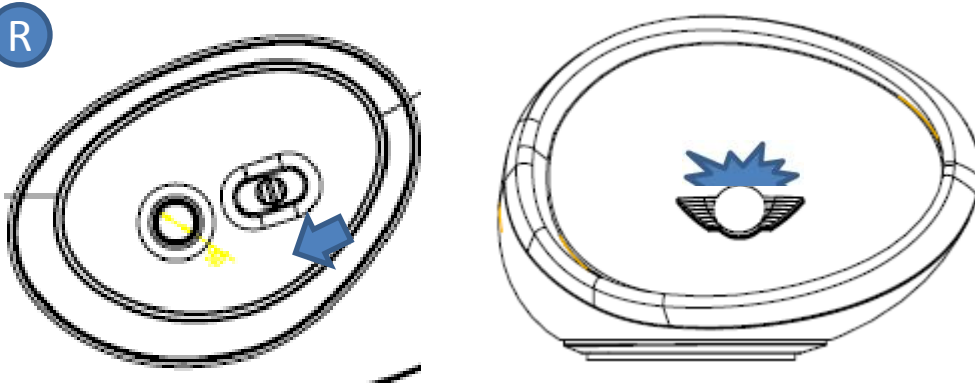
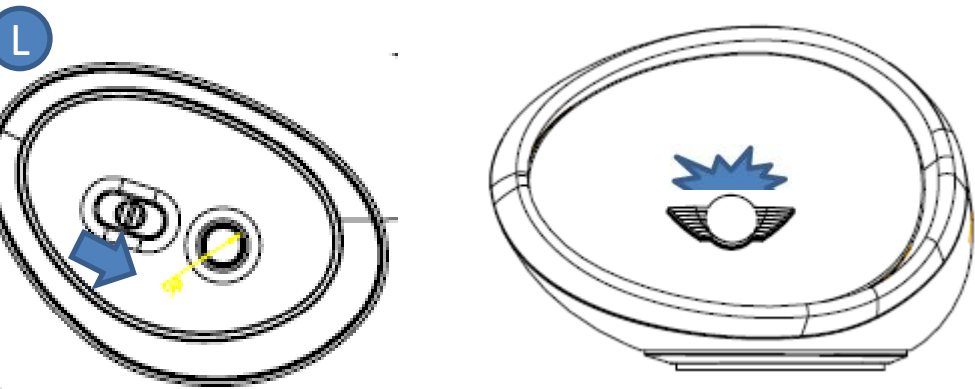


How to turn on and use in a pair ...

(1/2)



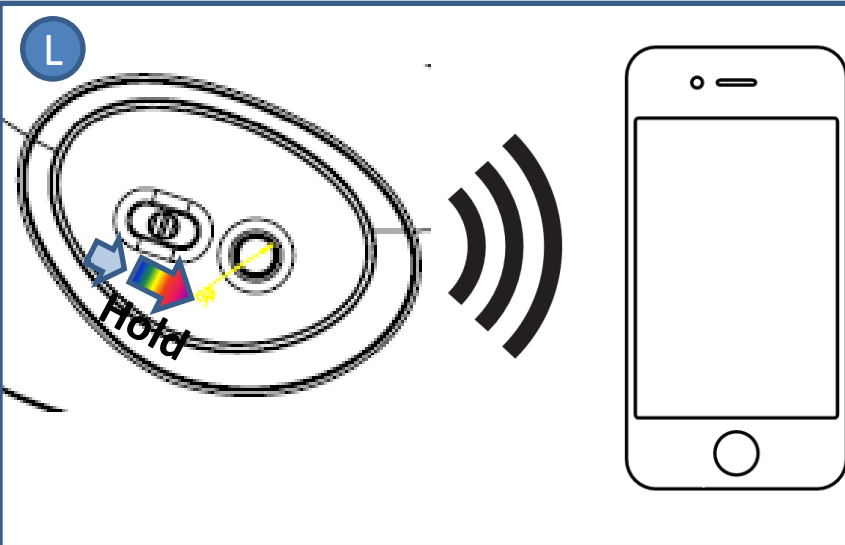
1. Slide the switch to the “ON” position
2. Hearing the Opening Sound
3. “Blue” indicator lights up behind the badge.
4. Speakers will synchronize to each others within 30s automatically, and will prompt “Right Channel”



1. Slide the switch to the “ON” position
2. Hearing the Opening Sound
3. “Blue” indicator lights up behind the badge.
4. Speakers will synchronize to each others within 30s automatically, and will prompt “Left Channel”

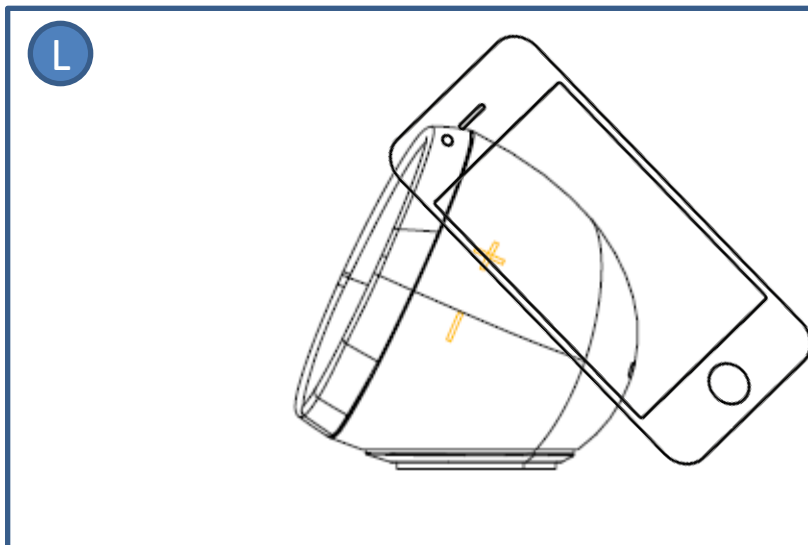
How to turn on and use in a pair ...

(2/2)



Normal Pairing:

- 5a. Slide and hold the switch to the "Pair" Position
- 6a. Hear "Ready to Connect"
- 7a. Search and Pair "Mirror BoomBox2"
- 8a. When your device is connected to the system, will prompt "We are connected" from Speaker
- 9a. Play music from your device

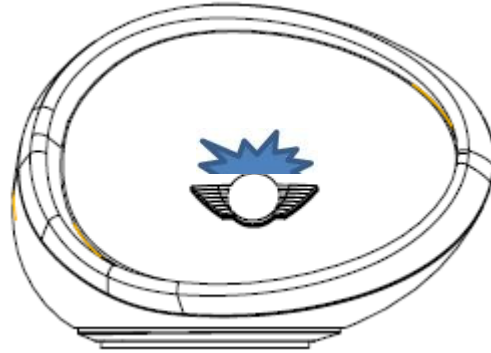
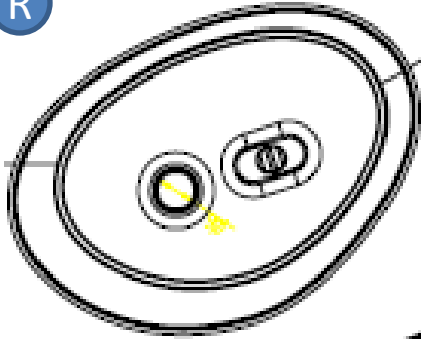


NFC Pairing:

- 5a. Enable the NFC feature on the phone
- 6a. Tap your device on the Back of the Mirror BoomBox2 to pair
- 7a. When your device is connected to the system, will prompt "We are connected" from Speaker
- 8a. Play music from your device

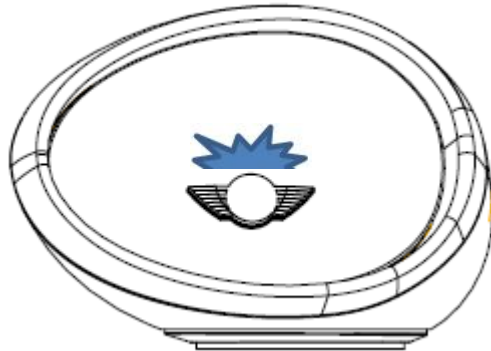
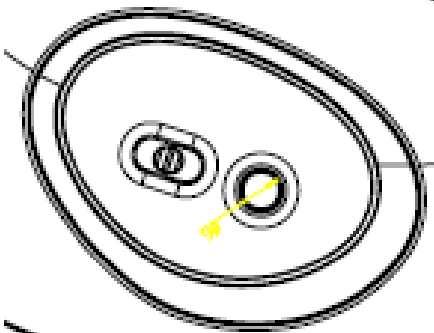
How to turn on and use individually ...

R



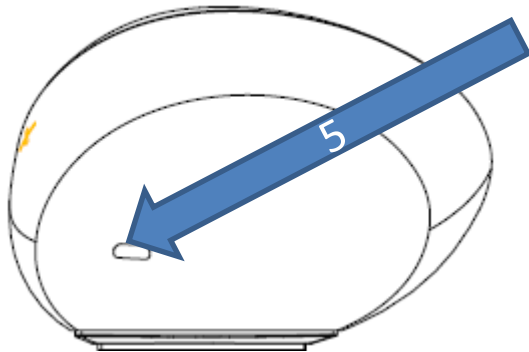
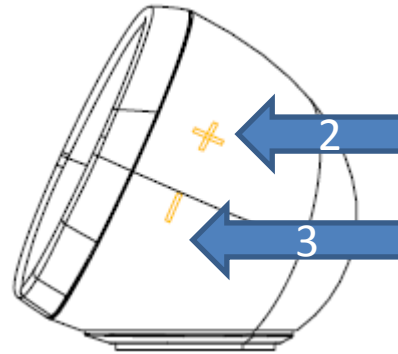
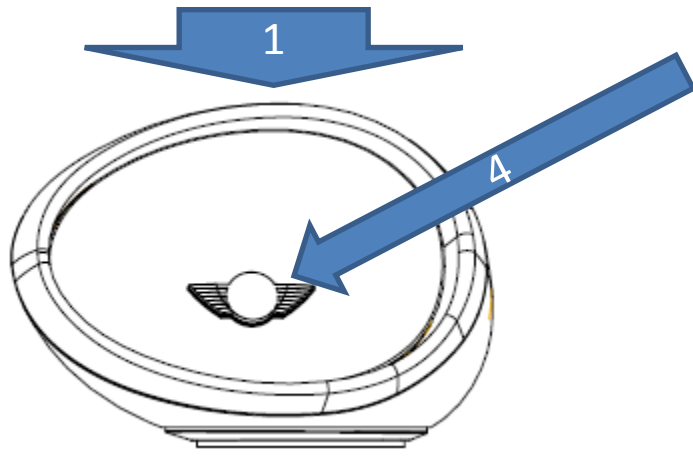
OR

L



1. Slide the switch to the “ON” position
 2. Hearing the Opening Sound
 3. “Blue” indicator lights up behind the badge.
 5. Slide and hold the switch to the “Pair” Position
 6. Hear “Ready to Connect”
 7. Search and Pair “Mirror BoomBox2”
 8. When your device is connected to the system, will prompt “We are connected” from Speaker
 9. Play music from your device
- * Once both Speakers being turned ON, the Wireless Stereo will automatically formed

How to control the Speaker ...



1. Play / Pause (Press down the whole speaker)
2. Volume up (Touch)
3. Volume down (Touch)
4. Operation LED indicator
5. USB Power

* Identical Operations on both Speakers

LED Indicator



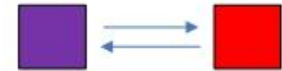
Power OFF
- LED OFF



Charging
(in any On mode)
- Solid Purple



Power ON
(Wireless Stereo Pairing)
- Flashing Blue (Fast; 0.5s interval)



Charging
(In Wireless Stereo Pairing mode)
- Flashing Purple, Red
(Purple: 0.5s; Red: 0.5s)



Power ON
(In any condition)



Charging
(in OFF mode)
- Solid Red



Power OFF + Fully Charged
- LED OFF



Power ON
(Normal Pairing)
- Flashing Blue (Slow; 1s interval)



Charging
(In Normal Pairing mode)
- Flashing Purple, Red
(Purple: 1s; Red: 1s)

Remark

- Visit the Support Section from <http://xxxxxxxxxxxxx> to view the Manual.
- If no Bluetooth Connection exceeds 15 minutes, Mirror2 will automatically switch into Standby mode for energy saving.
- Fully charged once a month
- “0000” is the passcode if necessary during pairing

Warning

Please read these safety warnings and cautions carefully to ensure your personal safety and prevent property damage.

Fire and Electric Shock Hazard

- Do not expose your Mirror2 to liquid, moisture, humidity, or rain. Do not use the Mirror2 near a bathtub, sink, sauna, pool, or steam room. Exposure of the Mirror2 to moisture could result in electric shock.
- Do not place any items filled with liquids, such as glasses, vases or similar objects, on top of the device.
- Do not drop, disassemble, open, crush, bend, deform, puncture, shred, microwave, incinerate, paint, or insert any objects into the Mirror2. Such actions could result in electric shock.
- Clean the Mirror2 only with a dry cloth.
- Do not expose your Mirror2 to extremely high or low temperatures.
- Do not expose your Mirror2 to sources of excessive heat, such as sunlight, fire or similar. Do not place your Mirror2 near an open fire, such as gas burners, candles or fireplaces, and avoid contact with direct solar radiation. Do not place any candles or other open flames on the device. Make sure that the Mirror2 is exposed to sufficient ventilation. Do not block the vent holes with objects such as magazines, tablecloths or similar items.

Battery/Charger Hazard

- Do not dispose of your Mirror2 into a fire. The battery could explode causing injury or death.
- Only charge the battery in accordance with the user instructions supplied with the Mirror Boombox .
- Do not attempt to disassemble the Mirror2 or force open the built-in battery because this may result in electric shock.
- Do not charge the Mirror2 in damp areas or in extremely high or low temperatures because this could result in electric shock.
- Do not clean the Mirror2 when it is being charged. Always unplug the charger first before cleaning the Mirror Boombox .
- Set up the device in such a way that the mains plug is always easily accessible and you can unplug it quickly in the event of an emergency.

Automobile Accident Hazard

- Do not leave or store the Mirror Boombox or any of its accessories near or over your automobile's air bag because serious injury may result when an airbag deploys.

Fall Hazard

- Do not place the Mirror2 on high surfaces such as shelves. During music playback the Mirror2 may move which could cause the Mirror2 fall from the edge.

Caution

- Do not use abrasive cleaners to clean your Mirror2 because this could cause scratches and damage.
- Do not bring your Mirror2 in to contact with any sharp objects because this could cause scratches and damage.
- Do not insert anything into your Mirror2 unless otherwise specified in the user instructions. This may damage the internal components.
- Do not attempt to repair, modify, or disassemble your Mirror Boombox yourself, it does not contain any user-serviceable components.
- Do not attempt to replace your Mirror2 battery, it is built-in and is not changeable.
- Observe all signs and displays that require an electrical device or RF radio product to be switched off in designated areas.
- Turn off your Mirror2 prior to boarding an aircraft. Do not use the Mirror2 inside an aircraft unless allowed by your airline
- Dispose of the Mirror2 and the Mirror2 's battery in accordance with local regulations. Do not dispose of the battery with regular household waste.

FCC Statement

This equipment has been tested and found to comply with the limits for a Class B digital device, pursuant to Part 15 of the FCC Rules.

These limits are designed to provide reasonable protection against harmful interference in a residential installation. This equipment generates use and can radiate radio frequency energy and, if not installed and used in accordance with the instructions, may cause harmful interference to radio communications. However, there is no guarantee that interference will not occur in a particular installation. If this equipment does cause harmful interference to radio or television reception, which can be determined by turning the equipment off and on, the user is encouraged to try to correct the interference by one of the following measures:

- Reorient or relocate the receiving antenna.
- Increase the separation between the equipment and receiver.
- Connect the equipment into an outlet on a circuit different from that to which the receiver is connected.
- Consult the dealer or an experienced radio/TV technician for help.

FCC NOTICE: This device complies with Part 15 of the FCC Rules. Operation is subject to the following two Conditions : 1)device may not cause harmful interference, and 2)This device must accept any interference received, including interference that may cause undesired operation.

FCC CAUTION

- Any changes or modifications not expressly approved by the party responsible for compliance could void the user's authority to operate this equipment.
- This device and its antenna(s) must not be co-located or operating in conjunction with any other antenna or transmitter.



FCC ID: NKTPF328

To locate the FCC and IC identification numbers, please look on the underside of the Mirror² .Model number PF328
The crossed-out wheellie bin symbol means that the product must be disposed of separately in the European Union.
These products must not be disposed of with unsorted household waste.

© Platform2 International Limited. All Rights Reserved. iui Desing and the iui Design logo and graphic design of this package are trademarks of Platform2 International Limited Intellectual Property The MINI logo and the MINI wordmark are trademarks of BMW AG and are used under license

IC Statement

- This device complies with Industry Canada licence-exempt RSS standard(s). Operation is subject to the following two conditions: (1) this device may not cause interference, and (2) this device must accept any interference, including interference that may cause undesired operation of the device.
-
- Le présent appareil est conforme aux CNR d'Industrie Canada applicables aux appareils radio exempts de licence. L'exploitation est autorisée aux deux conditions suivantes : (1) l'appareil ne doit pas produire de brouillage, et (2) l'utilisateur de l'appareil doit accepter tout brouillage radioélectrique subi, même si le brouillage est susceptible d'en compromettre le fonctionnement.