

MIRROR Mini

Quick Start Guide

iui DESIGN



The MINI mark and logos are registered trademarks of BMW AG. © Platform2 International Limited. All Rights Reserved.

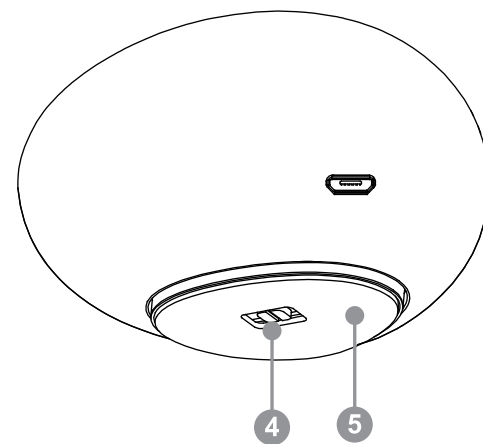
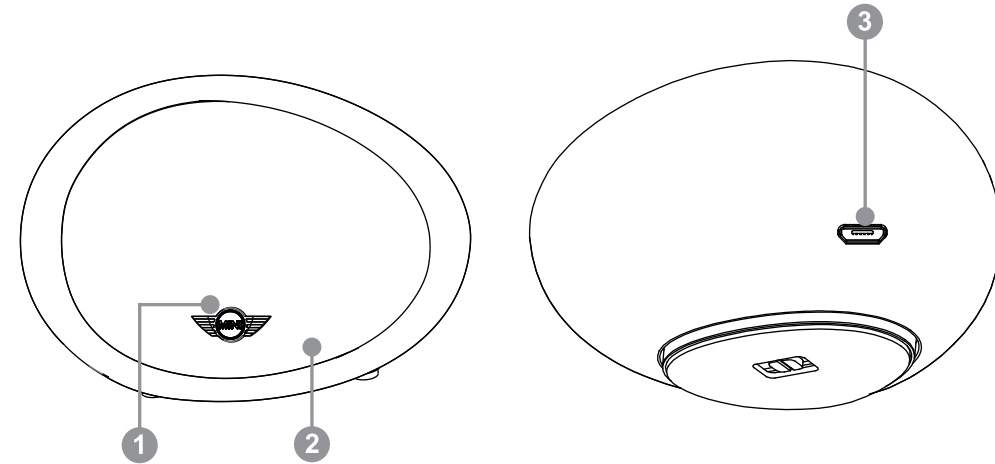


Quick Start Guide

WWW.MIRRORBOOMBOX.COM

INFO@MIRRORBOOMBOX.COM

MIRROR Mini



1	LED Indicator
2	Microphone
3	USB Power
4	Power Button (On/Off/Pair)
5	Speakerphone

- * If no music playing and no Bluetooth connection exceeds 15 minutes, Mirror Mini will automatically switch into Standby Mode for energy saving.
- * Please ensure iOS 4.1.x is using on your iDevice to stream music steadily.
- * Fully charged once a month.
- * "0000" is the passcode if necessary during pairing.

Printed in China

How to Connect ...

- Switch to "On" position and the Operation LED Indicator displays Blue.
- Slide the button to the Bluetooth position until the LED Indicator flashing with tone prompt.
- Search & Connect "MIRROR Mini" on your device. Upon success connection, the LED Indicator stop flashing and turn into blue with tone prompt.
- Press the Mirror Mini to receive incoming call, press again to end the call.

LED Indicator

- Power ON + Full Charged → Solid Blue
- Power ON + Charging → Solid Purple
- Power OFF + Charging → Solid Red

Warning

Please read these safety warnings and cautions carefully to ensure your personal safety and prevent property damage.

Fire and Electric Shock Hazard

- Do not expose your Mirror Boombox to liquid, moisture, humidity, or rain.
- Do not use the Mirror Boombox near a bathtub, sink, sauna, pool, or steam room.
- Exposure of the Mirror Boombox to moisture could result in electric shock.
- Do not place any items filled with liquids, such as glasses, vases or similar objects, on top of the device.
- Do not drop, disassemble, open, crush, bend, deform, puncture, shred, microwave, incinerate, paint, or insert any objects into the Mirror Boombox. Such actions could result in electric shock.
- Clean the Mirror Boombox only with a dry cloth.
- Do not expose your Mirror Boombox to extremely high or low temperatures.
- Do not expose your Mirror Boombox to sources of excessive heat, such as sunlight, fire or similar. Do not place your Mirror Boombox near an open fire, such as gas burners, candles or fireplaces, and avoid contact with direct solar radiation. Do not place any candles or other open flames on the device.
- Make sure that the Mirror Boombox is exposed to sufficient ventilation. Do not block the vent holes with objects such as magazines, tablecloths or similar items.

Battery/Charger Hazard

- Do not dispose of your Mirror Boombox into a fire. The battery could explode causing injury or death.
- Only charge the battery in accordance with the user instructions supplied with the Mirror Boombox.
- Do not attempt to disassemble the Mirror Boombox or force open the built-in battery because this may result in electric shock.
- Do not charge the Mirror Boombox in damp areas or in extremely high or low temperatures because this could result in electric shock.
- Do not clean the Mirror Boombox when it is being charged. Always unplug the charger first before cleaning the Mirror Boombox.
- Set up the device in such a way that the mains plug is always easily accessible and you can unplug it quickly in the event of an emergency.

Automobile Accident Hazard

- Do not leave or store the Mirror Boombox or any of its accessories near or over your automobile's air bag because serious injury may result when an air bag deploys.

Fall Hazard

- Do not place the Mirror Boombox on high surfaces such as shelves. During music playback the Mirror Boombox may move which could cause the Mirror Boombox fall from the edge.

Caution

- Do not use abrasive cleaners to clean your Mirror Boombox because this could cause scratches and damage.
- Do not bring your Mirror Boombox in to contact with any sharp objects because this could cause scratches and damage.
- Do not insert anything into your Mirror Boombox unless otherwise specified in the user instructions. This may damage the internal components.
- Do not attempt to repair, modify, or disassemble your Mirror Boombox yourself, it does not contain any user-serviceable components.
- Do not attempt to replace your Mirror Boombox battery, it is built-in and is not changeable.
- Observe all signs and displays that require an electrical device or RF radio product to be switched off in designated areas.
- Turn off your Mirror Boombox prior to boarding an aircraft. Do not use the Mirror Boombox inside an aircraft unless allowed by your airline.
- Dispose of the Mirror Boombox and the Mirror Boombox's battery in accordance with local regulations. Do not dispose of the battery with regular household waste.

FCC Statement

This equipment has been tested and found to comply with the limits for a Class B digital device, pursuant to Part 15 of the FCC Rules. These limits are designed to provide reasonable protection against harmful interference in a residential installation. This equipment generates use and can radiate radio frequency energy and, if not installed and used in accordance with the instructions, may cause harmful interference to radio communications. However, there is no guarantee that interference will not occur in a particular installation. If this equipment does cause harmful interference to radio or television reception, which can be determined by turning the equipment off and on, the user is encouraged to try to correct the interference by one of the following measures:

- Reorient or relocate the receiving antenna.
- Increase the separation between the equipment and receiver.
- Connect the equipment into an outlet on a circuit different from that to which the receiver is connected.
- Consult the dealer or an experienced radio/TV technician for help.

FCC NOTICE

This device complies with Part 15 of the FCC Rules. Operation is subject to the following two conditions:
 1 This device may not cause harmful interference, and
 2 This device must accept any interference received, including interference that may cause undesired operation.

FCC CAUTION

- Any changes or modifications not expressly approved by the party responsible for compliance could void the user's authority to operate this equipment.
- This device and its antenna(s) must not be co-located or operating in conjunction with any other antenna or transmitter.



FCC ID: NKTFF328M
 To locate the FCC and IC identification numbers, please look on the underside of the Mirror Boombox.
 Model number PF328M

The crossed-out wheellie bin symbol means that the product must be disposed of separately in the European Union. These products must not be disposed of with unsorted household waste.

©2014 Platform2 International Limited. All rights reserved.
 The iui Design brand, logo and other marks under iui Design are owned and registered by Platform2 International Limited.
 The MINI logo and the MINI wordmark are trademarks of BMW AG and are used under license